



US00D957226S

(12) **United States Design Patent**
Wen

(10) **Patent No.:** **US D957,226 S**
(45) **Date of Patent:** **** Jul. 12, 2022**

- (54) **ANGLE FIXING CLIP** 2,498,725 A * 2/1950 Thornburg B25B 5/142
269/162
- (71) Applicant: **Guangzhou Fengsen Machinery Co., Ltd., Guangdong (CN)** 2,838,081 A * 6/1958 Larson B25B 5/142
269/88
- (72) Inventor: **Tianci Wen, Hunan (CN)** 2,908,300 A * 10/1959 Hahn B27G 5/02
269/41
- (73) Assignee: **Guangzhou Fengsen Machinery Co., Ltd., Guangdong (CN)** 2,941,557 A * 6/1960 Baprawski B25B 5/003
269/45
- (**) Term: **15 Years** 3,682,467 A * 8/1972 Heinrich B25B 5/142
269/41
- 3,888,476 A * 6/1975 Barton B25B 5/142
269/73

(Continued)

(21) Appl. No.: **29/799,915**

(22) Filed: **Jul. 16, 2021**

(30) **Foreign Application Priority Data**

Jun. 8, 2021 (CN) 202130352665.X

(51) **LOC (13) Cl.** **08-05**

(52) **U.S. Cl.**
USPC **D8/72**

(58) **Field of Classification Search**
USPC D8/71, 72, 73, 74
CPC .. B25B 5/14; B25B 5/16; B25B 5/163; B25B
5/166

See application file for complete search history.

(56) **References Cited**

U.S. PATENT DOCUMENTS

- 884,734 A * 4/1908 Horsfield B25B 5/16
269/329
- 1,081,311 A * 12/1913 Joachimson B25B 1/205
269/304
- 1,704,893 A * 3/1929 Harrison B25B 5/142
269/248
- D110,202 S * 6/1938 Werner D8/72
- 2,322,433 A * 6/1943 Gammache B27G 5/026
83/762
- 2,491,600 A * 12/1949 Bearce B44D 3/185
160/374.1

FOREIGN PATENT DOCUMENTS

- CN 305630130 * 2/2020
- CN 306103019 * 10/2020

(Continued)

Primary Examiner — Sheryl Lane
Assistant Examiner — Ieisha N Price
(74) *Attorney, Agent, or Firm* — ScienBiziP, P.C.

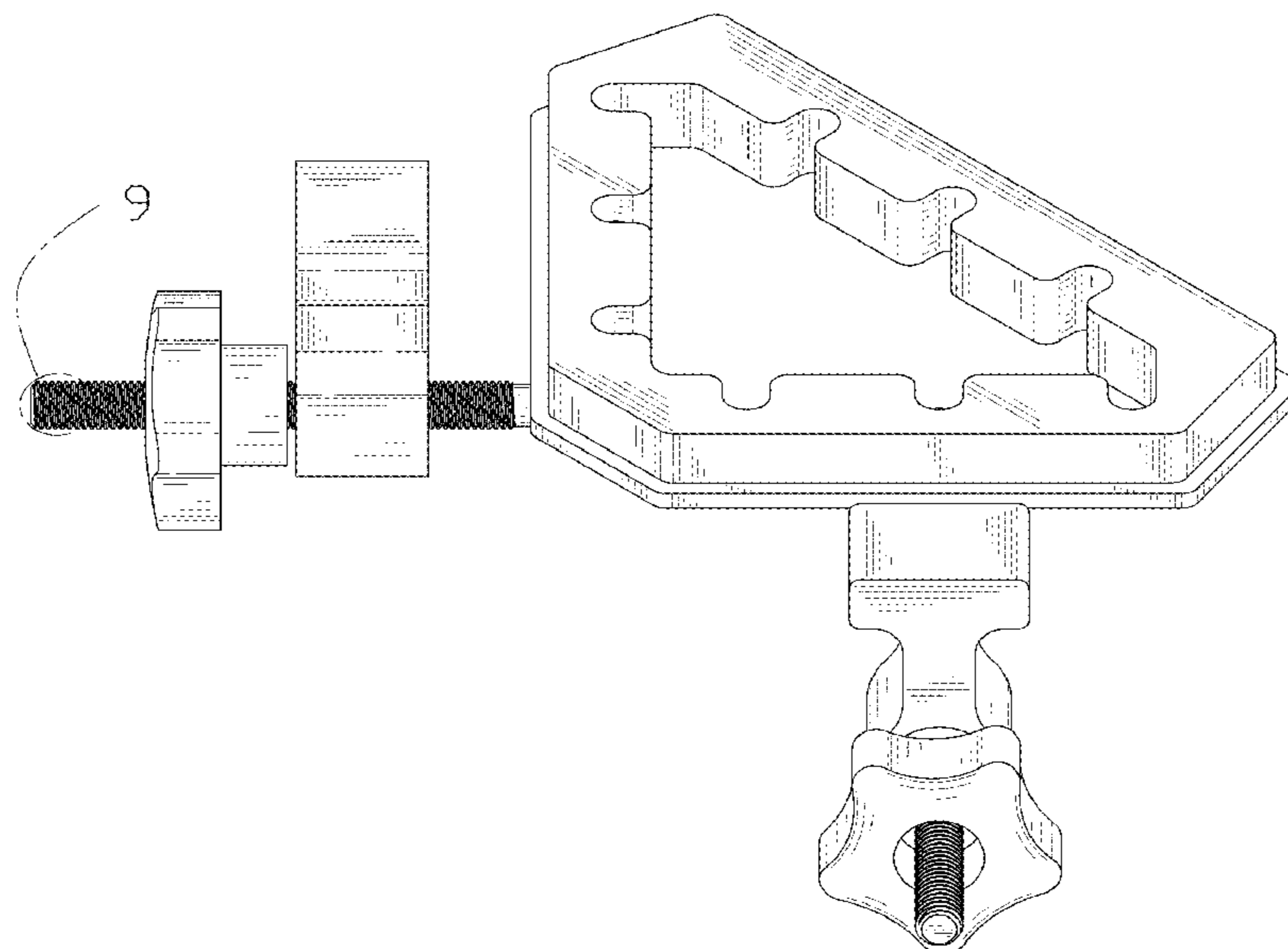
(57) **CLAIM**

The ornamental design for an angle fixing clip, as shown and described.

DESCRIPTION

FIG. 1 is a front, right, and top perspective view of an angle fixing clip, showing my design.
FIG. 2 is a rear, left, and bottom perspective view thereof.
FIG. 3 is a front elevation view thereof.
FIG. 4 is a rear elevation view thereof.
FIG. 5 is a left side elevation view thereof.
FIG. 6 is a right side elevation view thereof.
FIG. 7 is a top plan view thereof.
FIG. 8 is a bottom plan view thereof; and,
FIG. 9 is an enlarged view taken from indication circle 9 of FIG. 1.

1 Claim, 9 Drawing Sheets



(56)

References Cited

U.S. PATENT DOCUMENTS

3,893,362 A * 7/1975 Schneider B27G 5/02
83/827
3,949,802 A * 4/1976 Buratovich B44D 3/185
160/374.1
4,134,578 A * 1/1979 Stanley B25B 5/16
269/249
4,201,376 A * 5/1980 Philips B25B 5/10
269/156
4,226,409 A * 10/1980 Hanna B25B 5/003
269/910
D259,170 S 5/1981 Emms
4,437,375 A * 3/1984 Elmore B27G 5/02
83/762
4,881,726 A * 11/1989 Jolkovski B25B 5/142
269/45
5,135,206 A * 8/1992 Martinez B25B 11/007
269/21
D345,496 S * 3/1994 Erbach D8/72
5,350,163 A * 9/1994 Lichtenberg B25B 5/163
269/902
D363,201 S * 10/1995 Hill D8/71
5,816,568 A * 10/1998 Fox B25B 11/00
269/246
D428,568 S * 7/2000 Leon, Jr. D8/71
6,138,999 A * 10/2000 Gombinsky B25B 5/142
269/152
6,254,077 B1 * 7/2001 Riley, Jr. B25B 5/147
269/902
6,698,737 B1 * 3/2004 Blessing B25B 5/12
269/57

D598,263 S * 8/2009 Noniewicz D8/72
D609,554 S 2/2010 Koizumi
D668,522 S * 10/2012 Henderson D8/73
D796,943 S * 9/2017 Roy D8/382
D804,269 S * 12/2017 Wright, Jr. D8/71
D921,467 S * 6/2021 Fiegner D8/74
2001/0011792 A1 * 8/2001 Ocklenburg B25B 5/068
269/166
2004/0007803 A1 * 1/2004 Wong B25B 5/142
269/41
2005/0073080 A1 * 4/2005 Woodbury B25B 5/068
269/41
2007/0284796 A1 * 12/2007 Hummel B25B 5/142
269/41
2008/0258368 A1 * 10/2008 Kinnison B25B 5/142
269/41
2011/0024962 A1 * 2/2011 Zhang B25B 5/08
269/107
2012/0228815 A1 * 9/2012 Gurule B25B 5/003
29/559
2016/0067845 A1 * 3/2016 Quaiz B25B 5/006
29/559
2019/0366514 A1 * 12/2019 Cheney B25B 5/163

FOREIGN PATENT DOCUMENTS

CN 306860785 * 10/2021
CN 307087158 * 1/2022
CN 307140128 * 3/2022
GB 6100734 * 9/2020
GB 6106779 * 11/2020

* cited by examiner

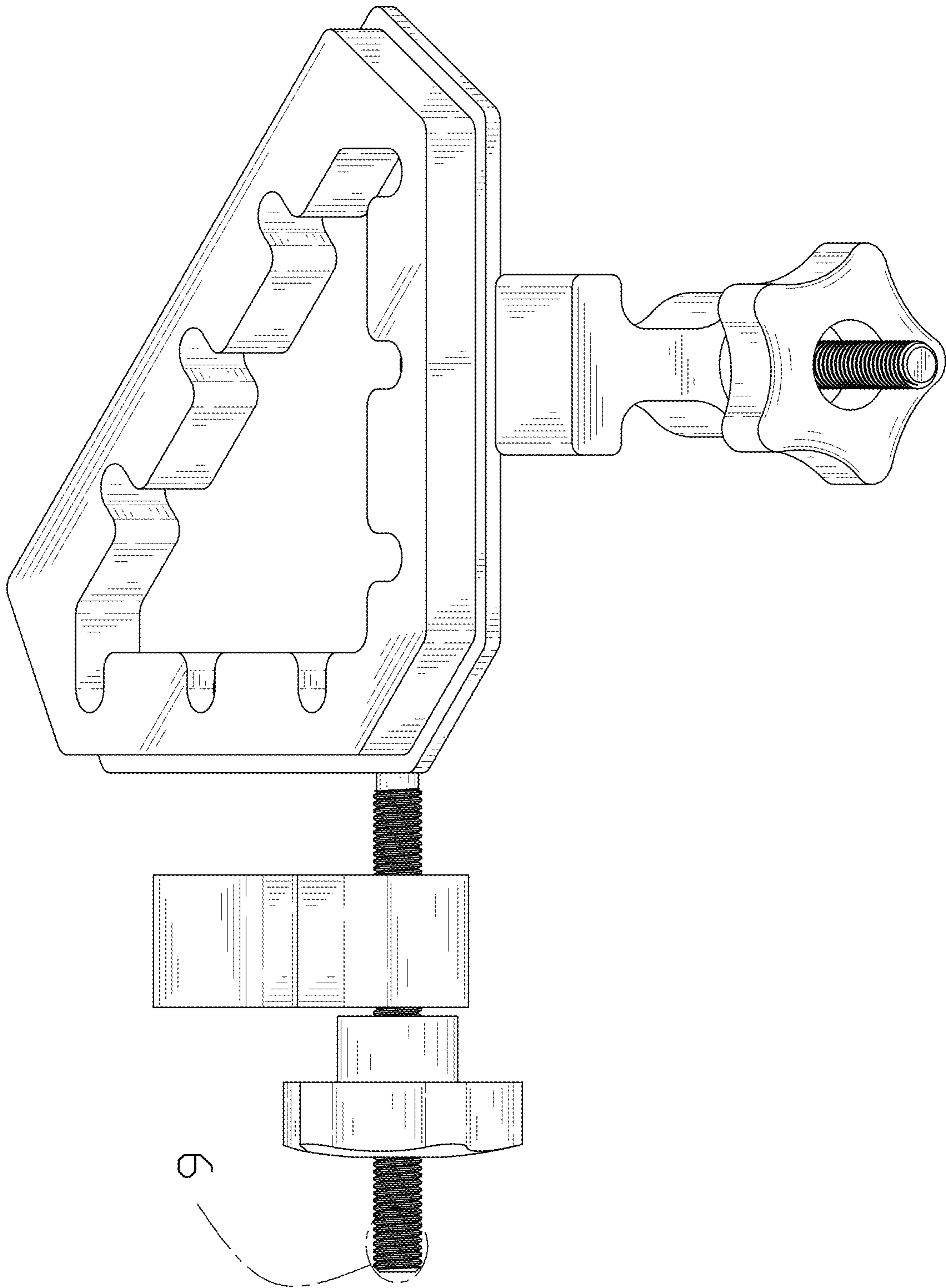


FIG. 1

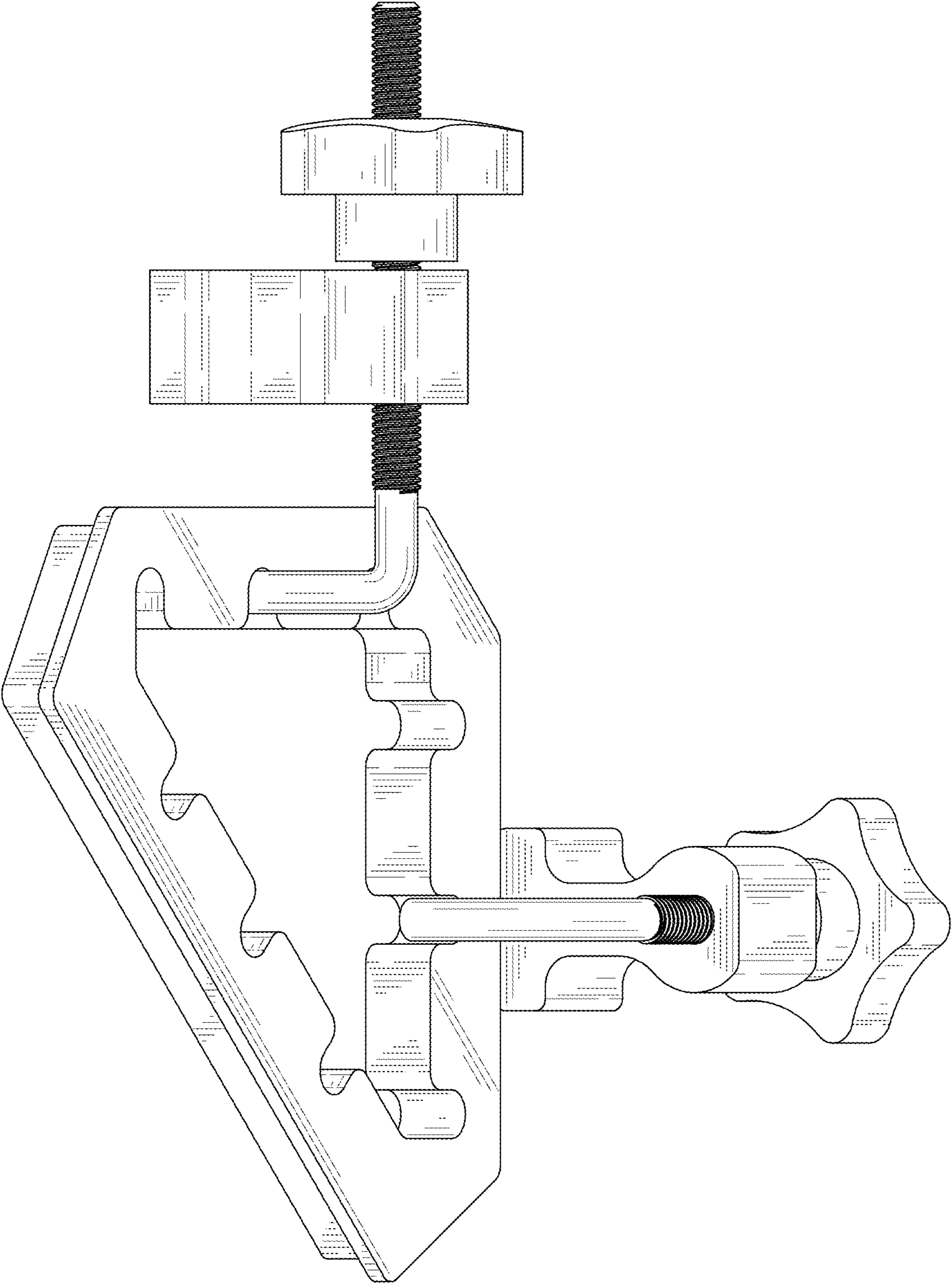


FIG. 2

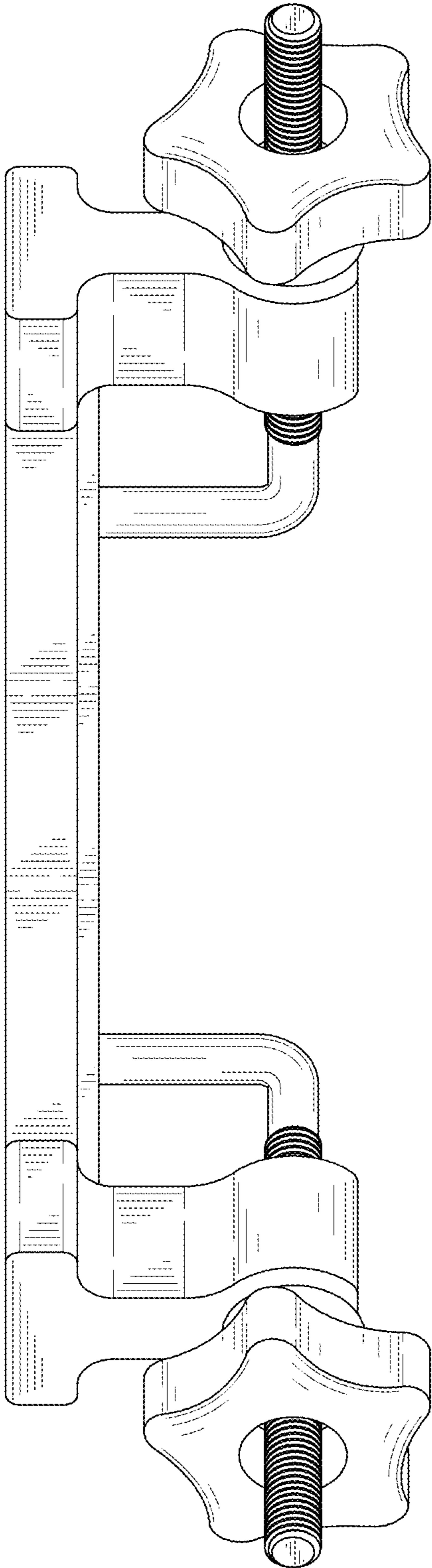


FIG. 3

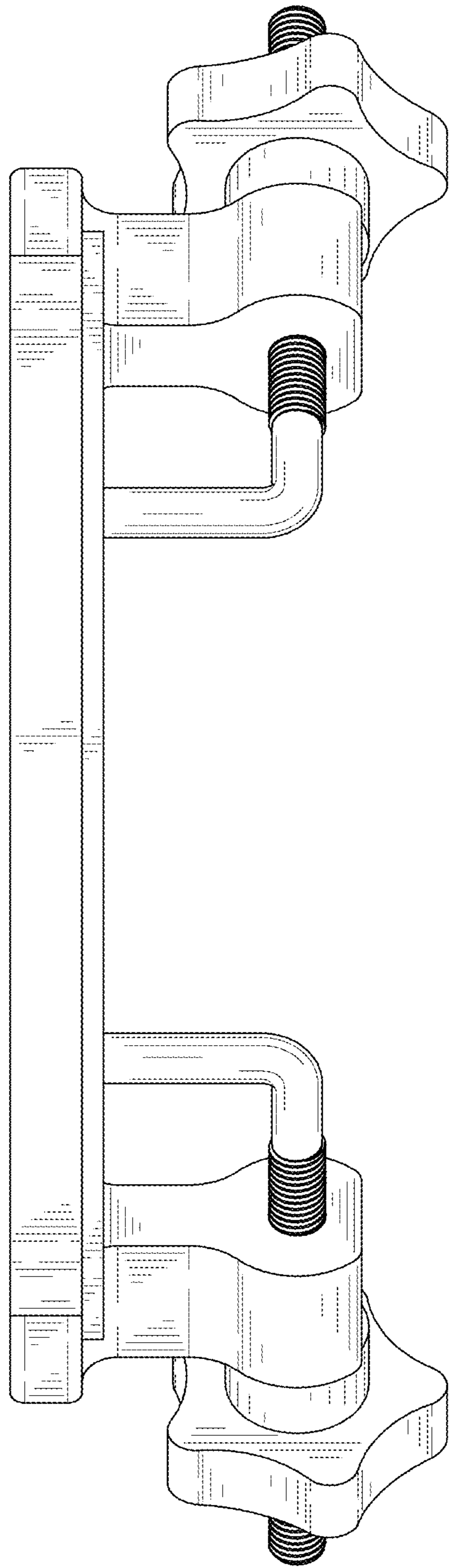


FIG. 4

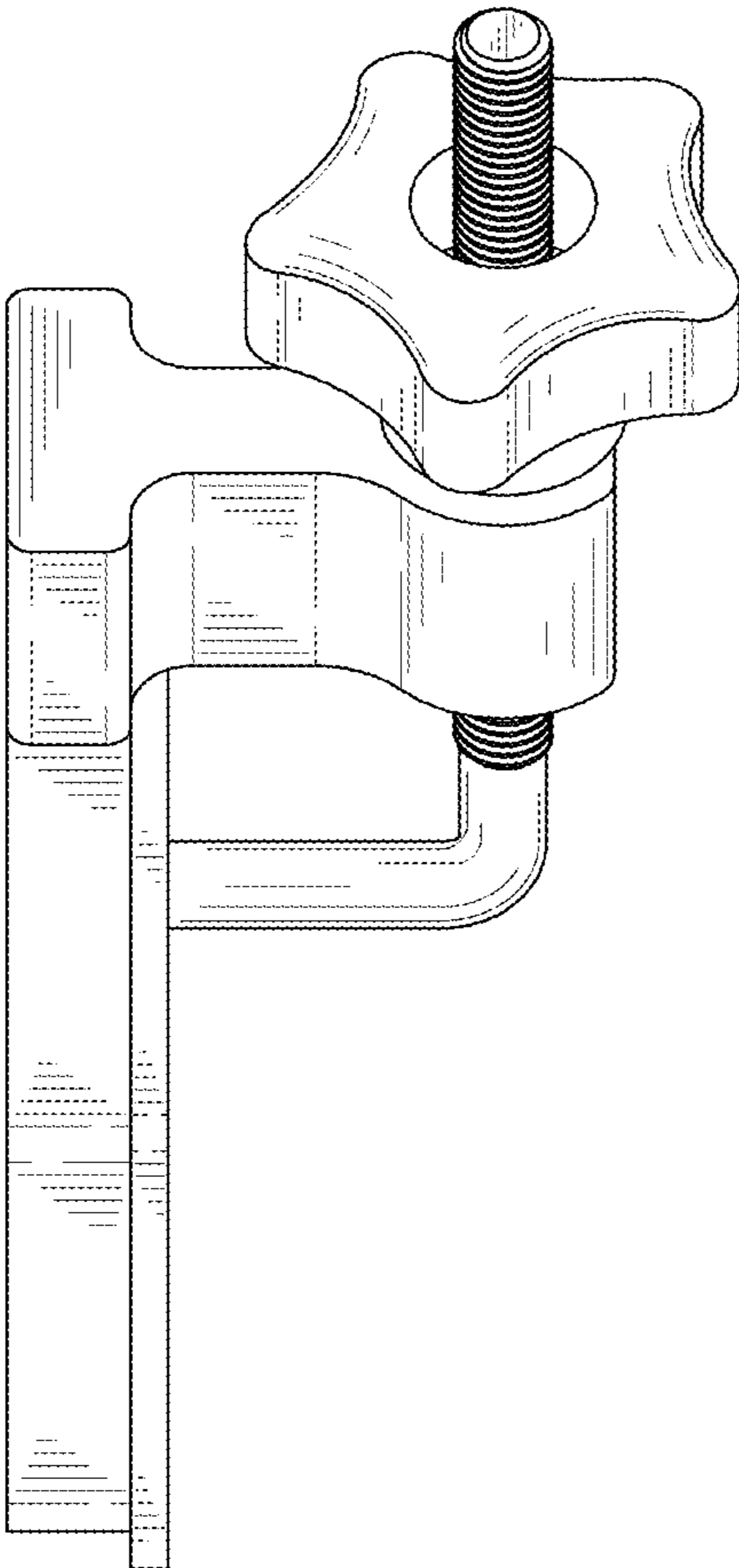


FIG. 5

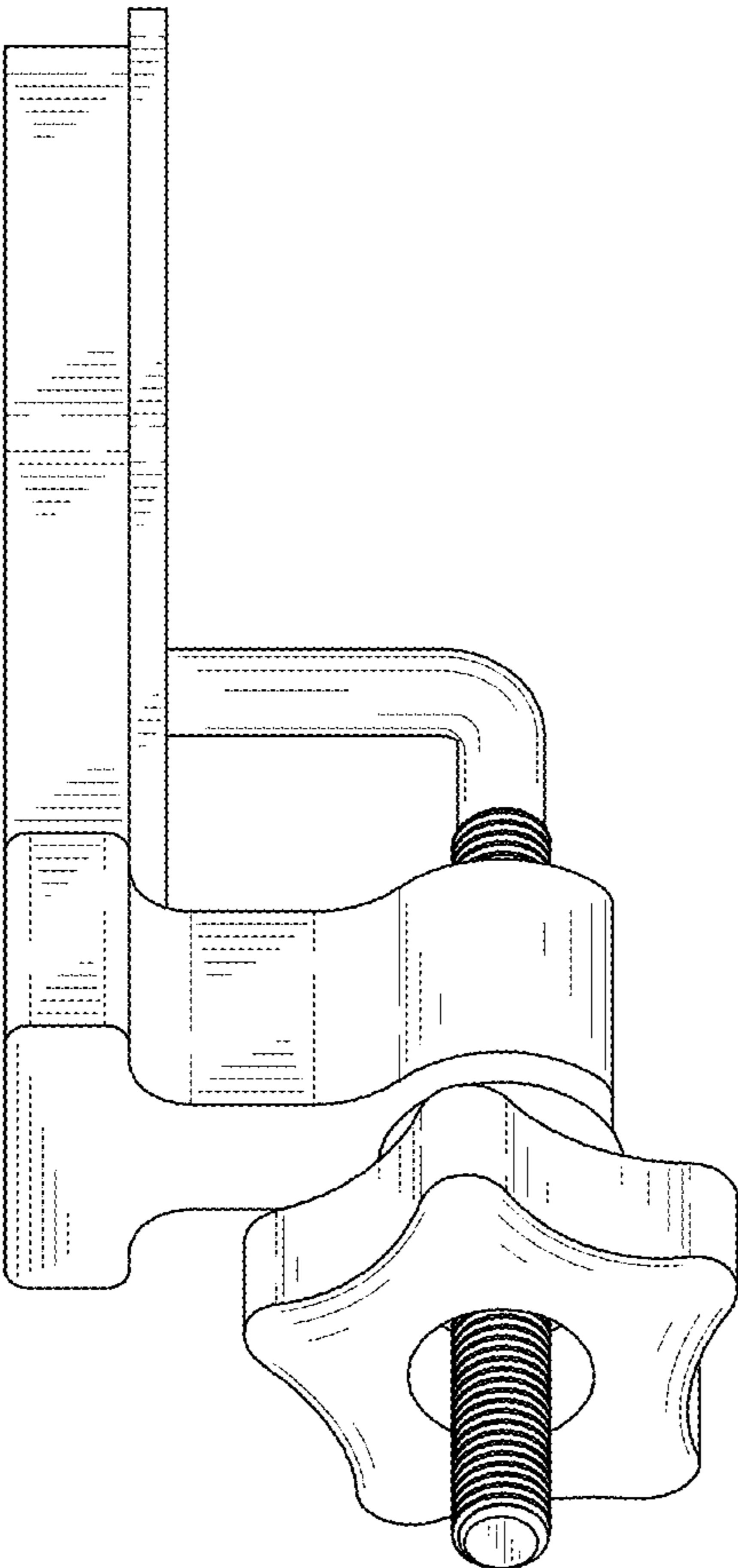


FIG. 6

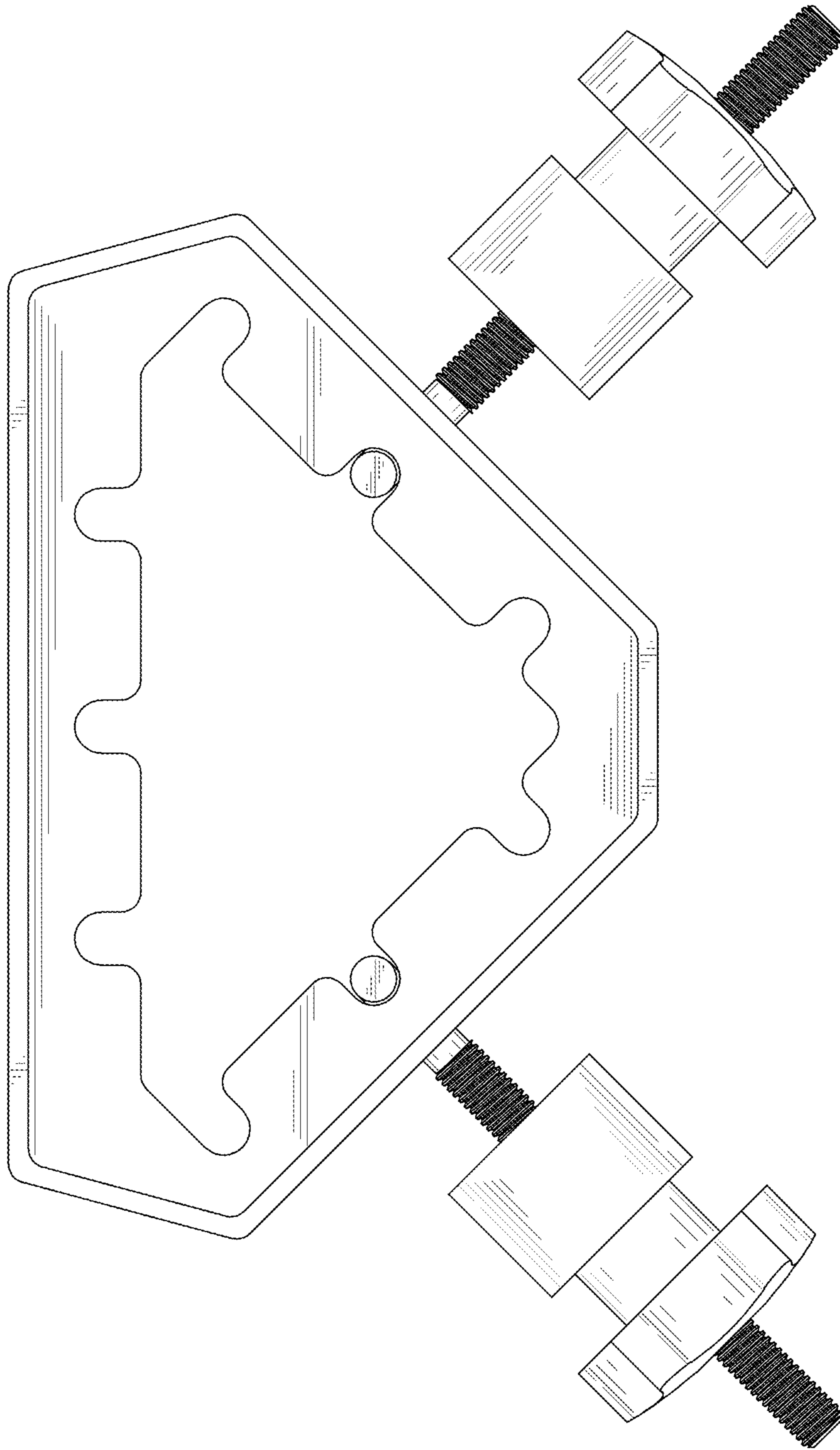


FIG. 7

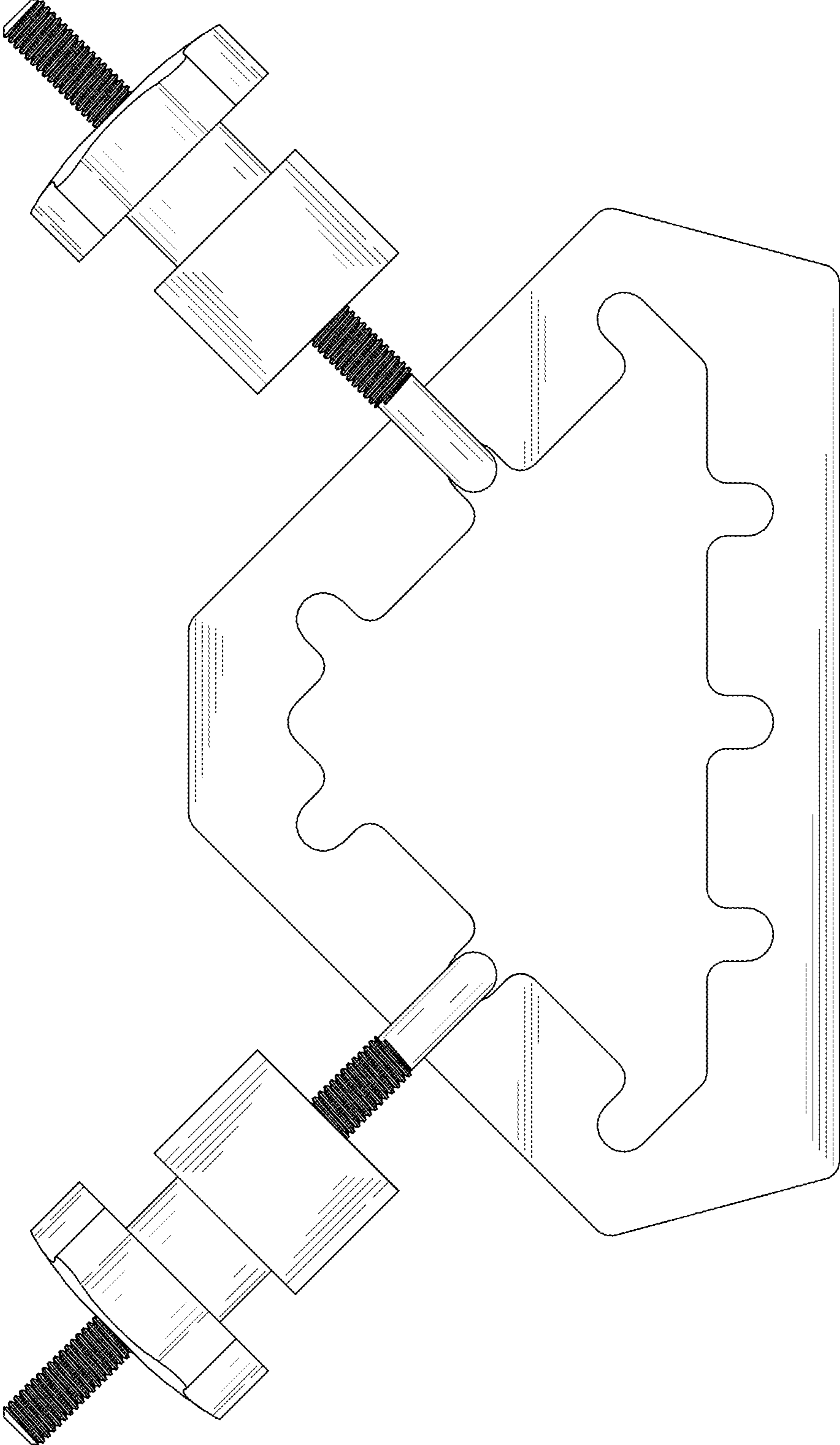


FIG. 8

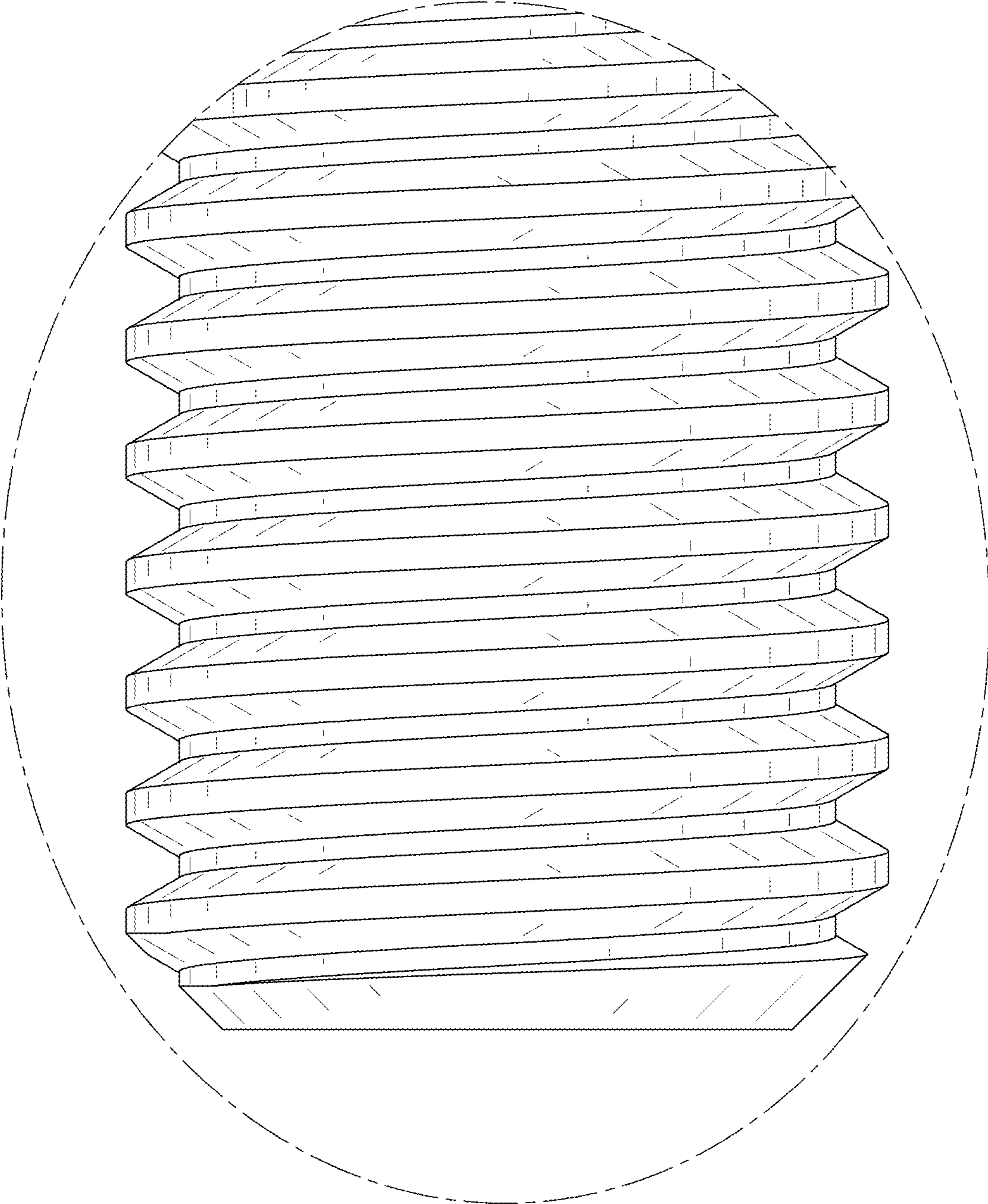


FIG. 9