



US00D957222S

(12) **United States Design Patent**
Zhang

(10) **Patent No.:** **US D957,222 S**
(45) **Date of Patent:** **** Jul. 12, 2022**

(54) **CRIMPING JAWS FOR A CRIMPING TOOL**

(71) Applicant: **Siduo Zhang**, Guangdong (CN)

(72) Inventor: **Siduo Zhang**, Guangdong (CN)

(73) Assignee: **GUANGZHOU BAOMEI NETWORK TECHNOLOGY CO., LTD.**, Guangzhou (CN)

(**) Term: **15 Years**

(21) Appl. No.: **29/775,944**

(22) Filed: **Mar. 26, 2021**

(51) **LOC (13) Cl.** **08-05**

(52) **U.S. Cl.**
USPC **D8/52**

(58) **Field of Classification Search**
USPC D8/52, 54, 55, 56, 58
CPC H01R 43/042; H01R 43/0421
See application file for complete search history.

(56) **References Cited**

U.S. PATENT DOCUMENTS

- 4,571,764 A * 2/1986 Chen H02G 1/1212
7/107
- 4,829,805 A * 5/1989 Koehn B25B 27/146
29/751
- 5,012,666 A * 5/1991 Chen H01R 43/042
29/751
- 5,063,770 A * 11/1991 Chen H01R 43/0421
72/409.11
- 5,280,716 A * 1/1994 Ryan B25B 7/123
29/751
- 6,026,671 A * 2/2000 Battenfeld B25B 7/12
29/751
- D628,036 S 11/2010 Steiner
- D686,052 S 7/2013 Steiner
- 8,516,872 B2 * 8/2013 Battenfeld H01R 43/0421
72/409.16
- 9,543,725 B2 * 1/2017 Li H01R 43/042
- 9,660,407 B2 * 5/2017 Chou B25B 27/146
- D796,927 S 9/2017 Konnecke et al.
- 10,205,294 B2 * 2/2019 Broker H01R 43/0421

- 10,326,248 B2 * 6/2019 Li B25B 27/146
- D901,268 S * 11/2020 Liao D8/52
- D901,270 S * 11/2020 Liao D8/52
- D903,451 S * 12/2020 Liao D8/52
- D906,074 S * 12/2020 Glockseisen D8/52

(Continued)

OTHER PUBLICATIONS

“Wire Terminals Crimping Tool, Insulated Ratcheting Wire Crimper Kit of AWG20-10 (0.5-1.5 mm²) (1.5-2.5 mm²) (4-6 mm²) with 700 PCS Insulated Butt Bullet Spade Fork Ring Crimp Terminals Connectors” product listing, Amazon. Listed as first available on Dec. 23, 2020. Accessed on Dec. 4, 2021 at [*Primary Examiner* — Deanna L Pratt](https://www.amazon.com/Qfun-Wire-Terminals-Crimping-Tool/dp/B07VYHHB82/ref=sr_1_4_sspa?keywords=crimping+tool&qid=1638651300&sr=8-4-spons&psc=1&spLa=ZW5jcnlwdGVkUXVhbGlmaWVyPUFVUzRlQUUpNR1dBVzEmZW5jcnlwdGVkSWQ9QTA1OTU3NjVLOUUE NTY2VVFGRVomZW5jcnlwdGVkQWRJZD1BMDMzODMwND MzSDVDWTA4UDIVUVgmd2lkZ2V0TmFtZT1zcF9hdGYmYW N0aW9uPWNsaWNrUmVkaXJlY3QmZG9Ob3RMb2dDbGljaz1 0cnVI (Year: 2020).*</p></div>
<div data-bbox=)

(57) **CLAIM**

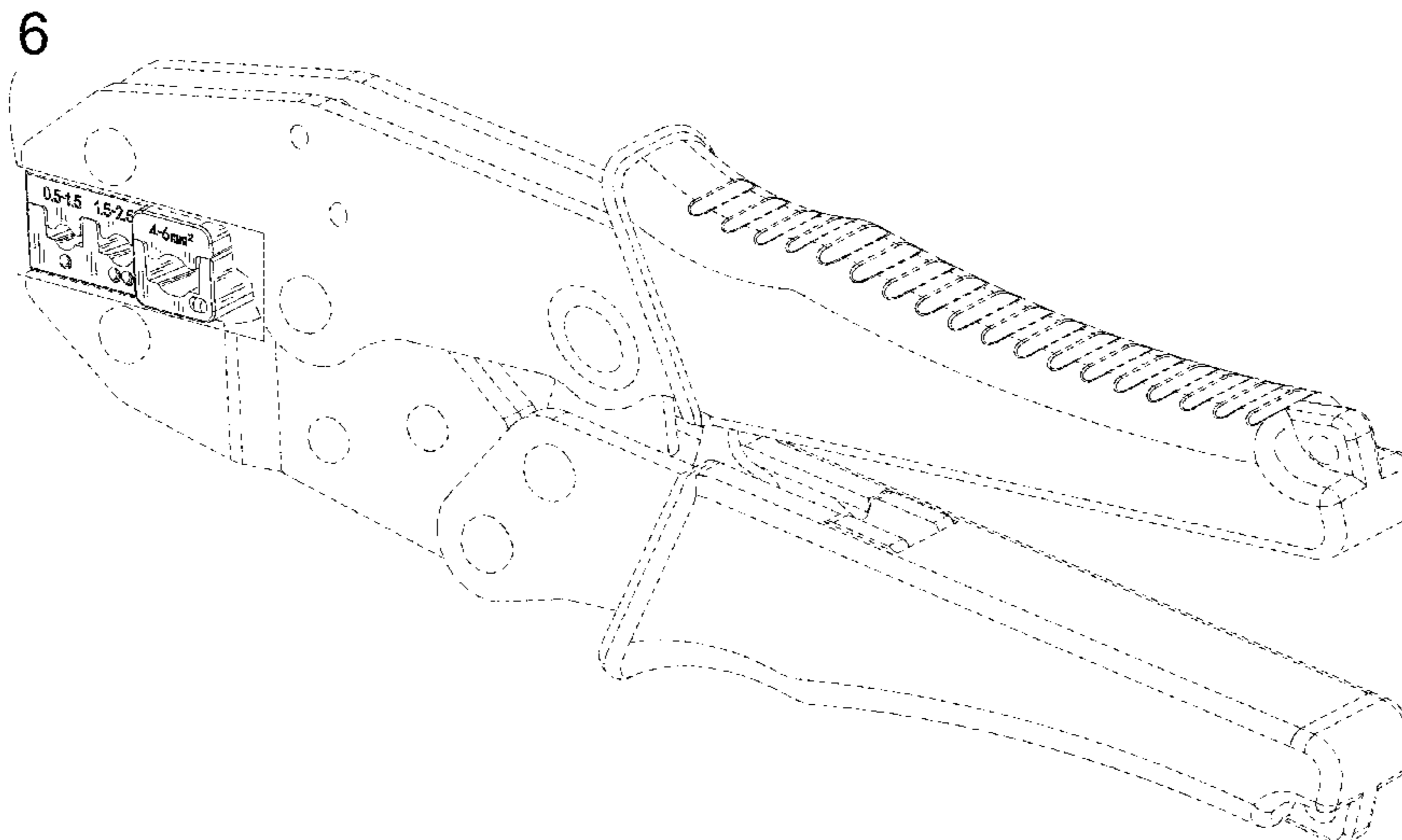
The ornamental design for crimping jaws for a crimping tool, as shown and described.

DESCRIPTION

FIG. 1 is a top, rear, left side perspective view of crimping jaws for a crimping tool showing my new design; FIG. 2 is a top, front, right side perspective view thereof; FIG. 3 is an enlarged front elevation view thereof; FIG. 4 is a left side elevation view thereof; FIG. 5 is a right side elevation view thereof; and, FIG. 6 is a detailed view of the area in parallelogram 6 in FIG. 1.

The broken lines in the drawings illustrate portions of the crimping jaws for a crimping tool that form no part of the claimed design.

1 Claim, 6 Drawing Sheets



(56)

References Cited

U.S. PATENT DOCUMENTS

D906,075 S * 12/2020 Liao D8/52
D924,026 S * 7/2021 Ullbors D8/52
D950,341 S * 5/2022 Chiang D8/51
2009/0199344 A1 * 8/2009 Grayson A01K 97/00
7/106
2020/0061785 A1 * 2/2020 Glockseisen B25B 7/123
2021/0140840 A1 * 5/2021 Glockseisen B21D 39/048

* cited by examiner

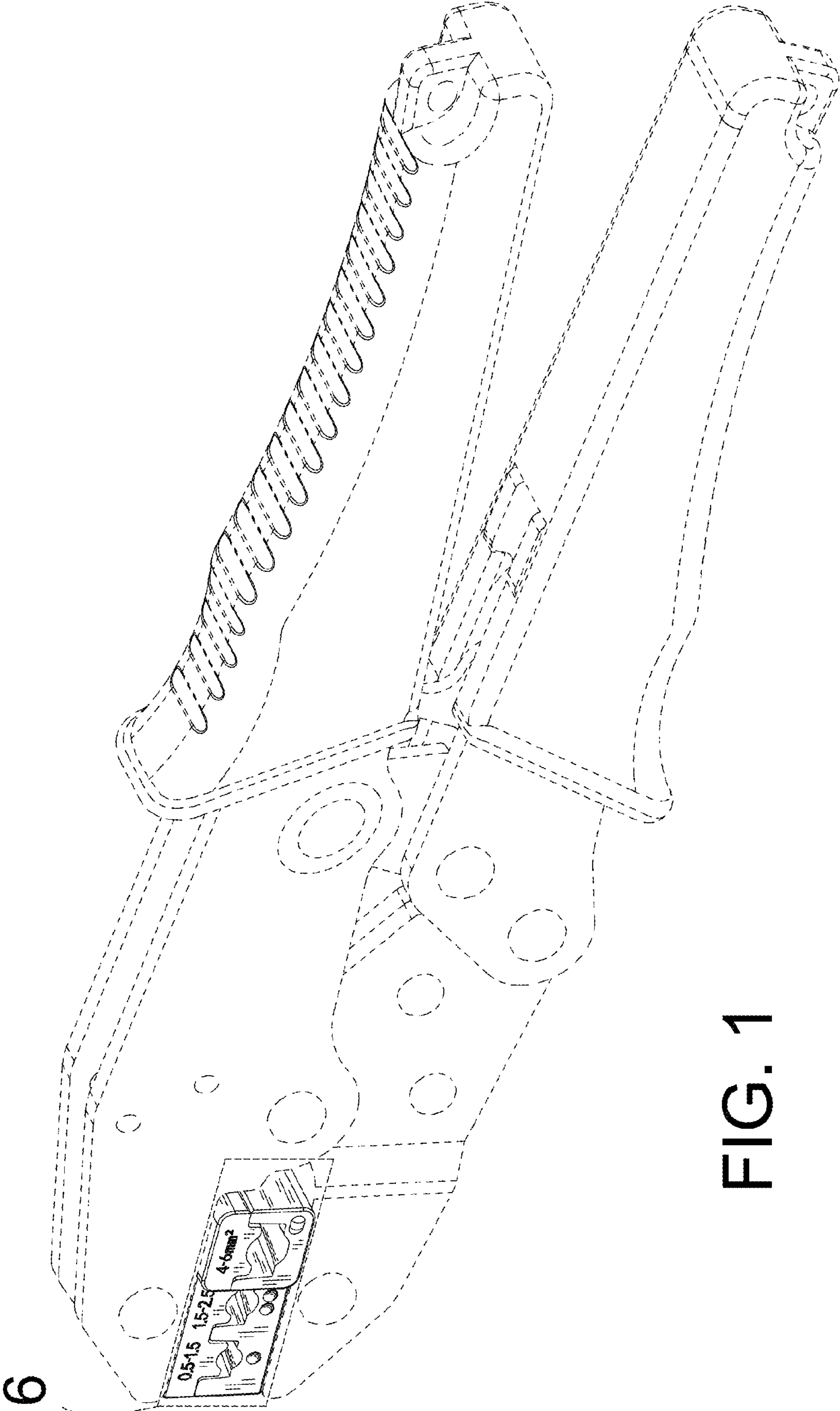


FIG. 1

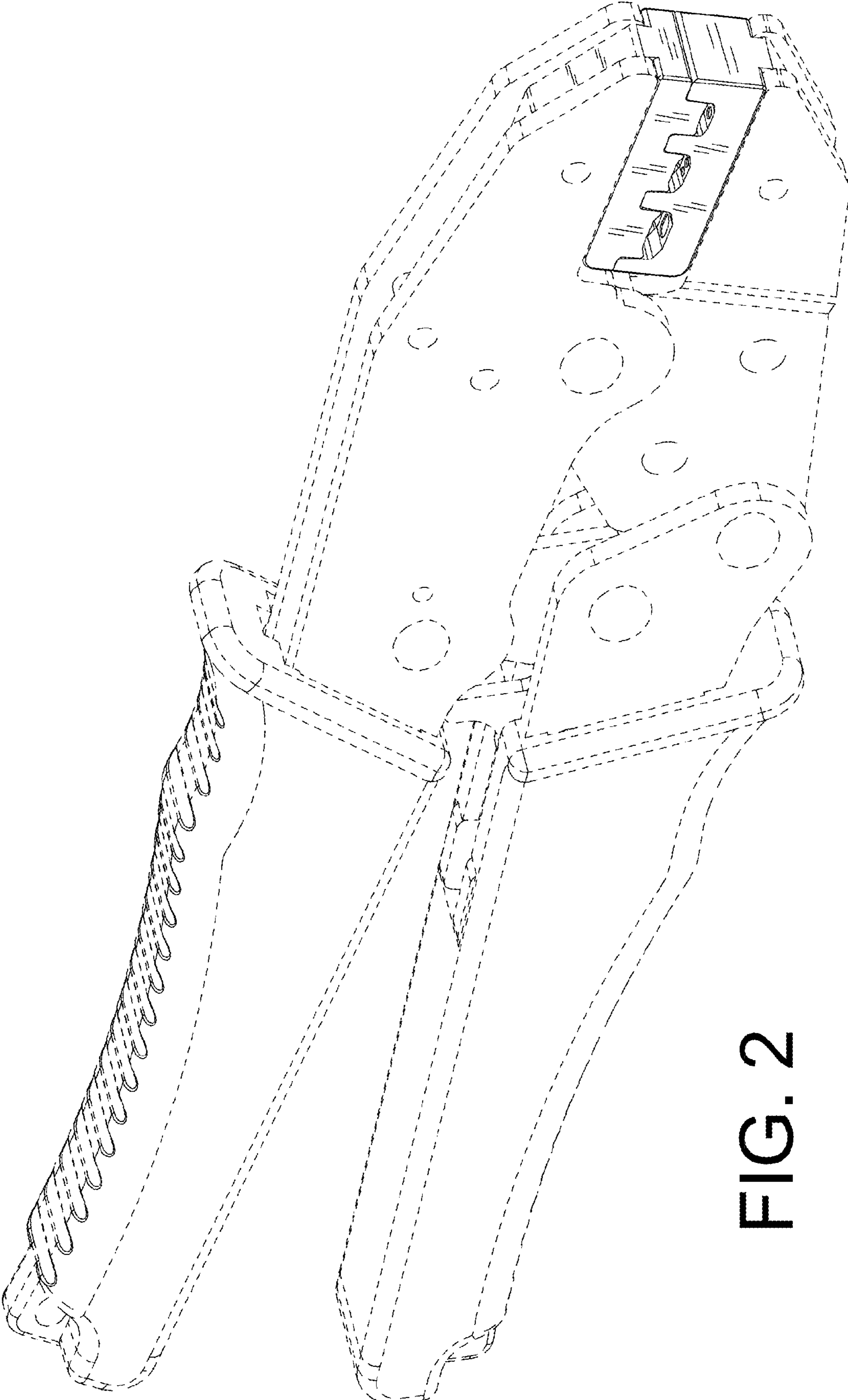


FIG. 2

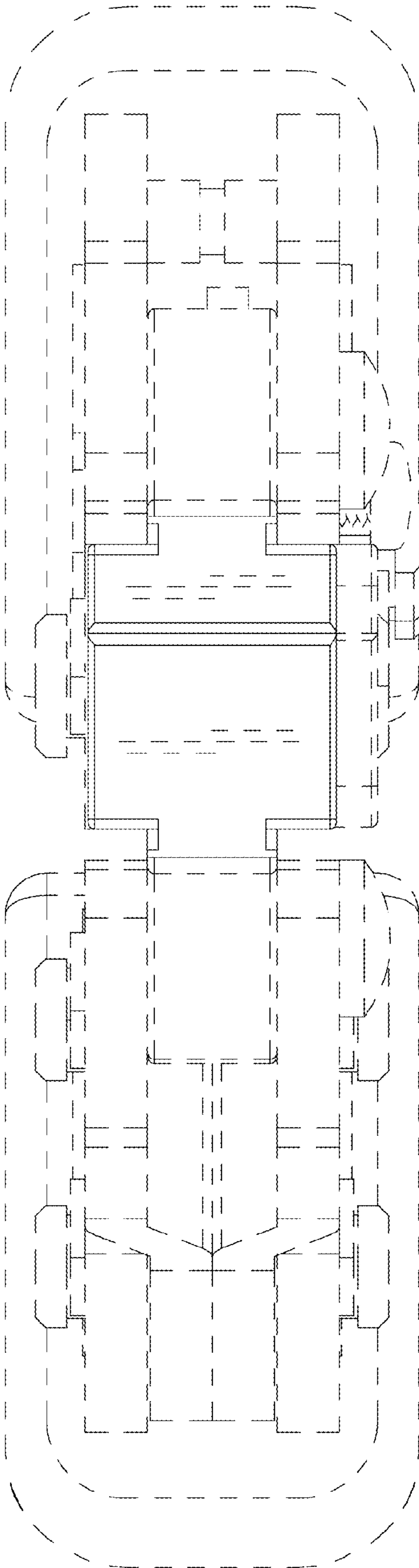


FIG. 3

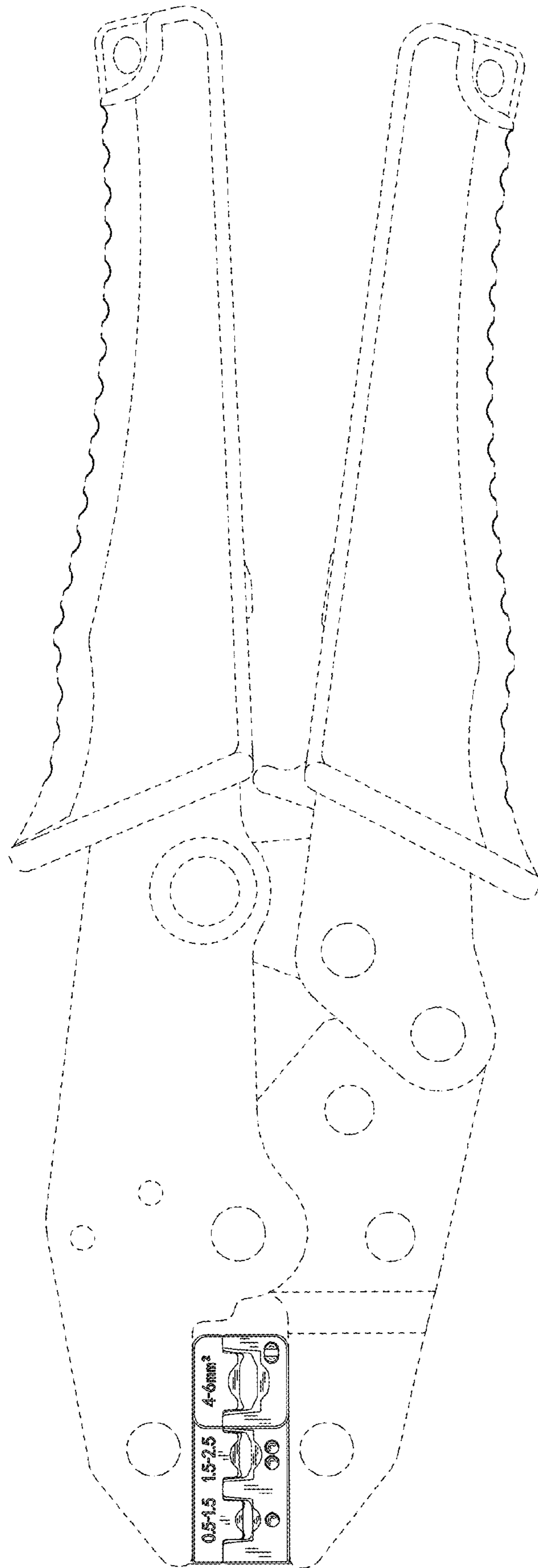


FIG. 4

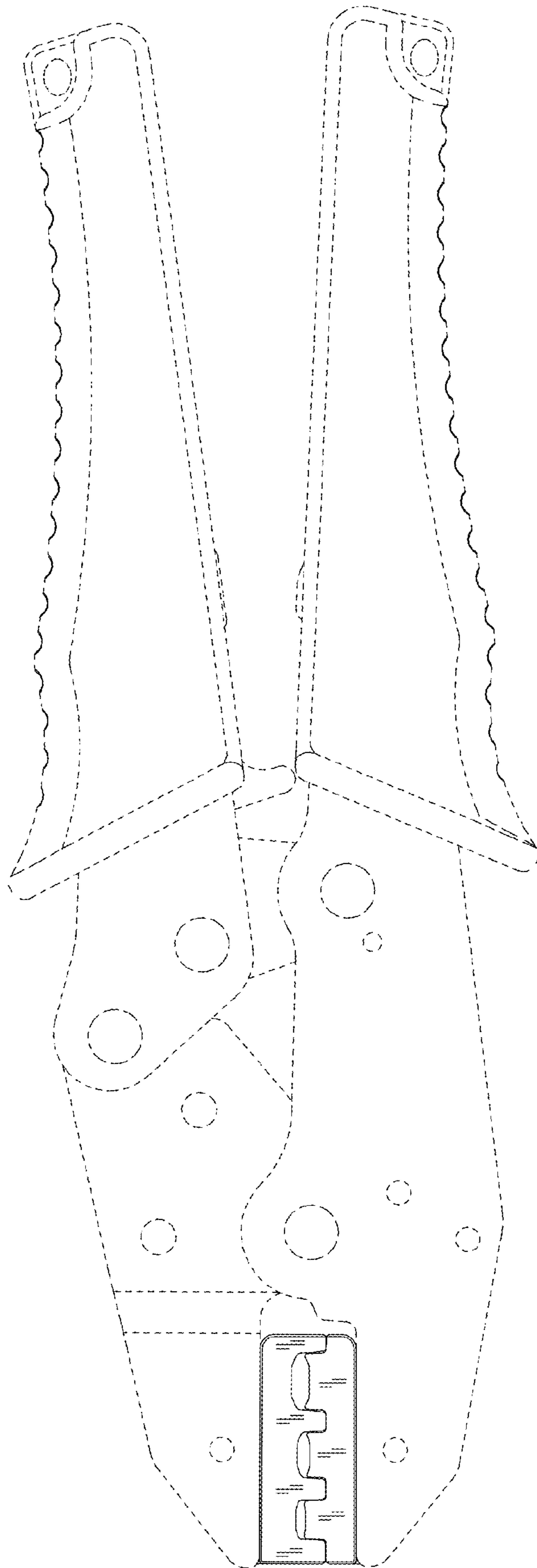


FIG. 5

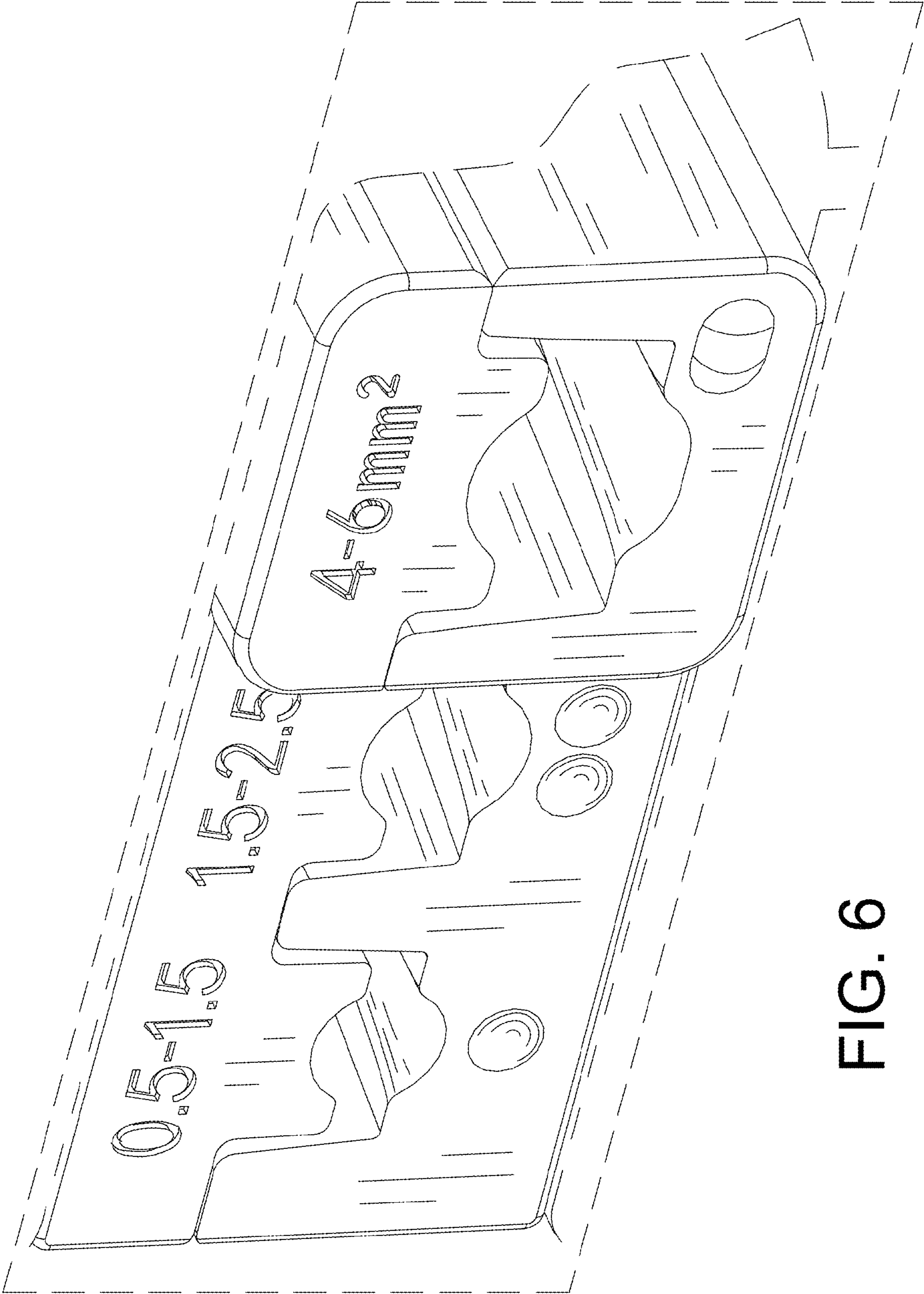


FIG. 6