



US00D957219S

(12) **United States Design Patent** (10) **Patent No.:** **US D957,219 S**
Lee (45) **Date of Patent:** **** Jul. 12, 2022**

(54) **SOCKET**
(71) Applicant: **Tsan-Chang Lee**, Taichung (TW)
(72) Inventor: **Tsan-Chang Lee**, Taichung (TW)
(**) Term: **15 Years**
(21) Appl. No.: **29/743,161**
(22) Filed: **Jul. 20, 2020**
(51) **LOC (13) Cl.** **08-05**
(52) **U.S. Cl.**
USPC **D8/29**
(58) **Field of Classification Search**
USPC D8/21, 25, 28, 29
CPC B25B 13/06; B25B 13/065; B25B 23/0035
See application file for complete search history.

D745,813 S * 12/2015 Hsieh B25B 13/065
D8/29
D745,814 S * 12/2015 Hsieh B25B 13/06
D8/29
D749,388 S * 2/2016 Lee D8/29
D761,068 S * 7/2016 Brown D8/29
D773,266 S * 12/2016 Hsieh D8/27
2020/0316758 A1* 10/2020 Huang B25B 13/06
2021/0379739 A1* 12/2021 Minor B25B 13/065

(56) **References Cited**

U.S. PATENT DOCUMENTS

4,004,476 A * 1/1977 DeVrou B25G 1/043
16/431
D287,333 S * 12/1986 Knudson D8/71
D398,823 S * 9/1998 Hsieh D8/29
D484,768 S * 1/2004 Warfel B25G 1/043
D8/86
D524,615 S * 7/2006 Albertson D8/29
D525,839 S * 8/2006 Rauckman D8/29
D526,547 S * 8/2006 Houpe D8/29
D567,604 S * 4/2008 Yu D8/29
D567,605 S * 4/2008 Yu D8/29
D659,730 S * 5/2012 Cantion D15/140
D709,343 S * 7/2014 Huang D8/70

OTHER PUBLICATIONS

“KABO Tools VNH0073 Non-Slip Shallow Socket Set”, amazon.co.jp; Sep. 13, 2019; Accessed Mar. 9, 2022; URL:<<https://www.amazon.co.jp/-/en/VNH0073-Non-Slip-Shallow-Socket-14-Piece/dp/B07XYTW9WL?th=1>> (Year: 2019).*

* cited by examiner

Primary Examiner — Rachel A. Voorhies
Assistant Examiner — Benjamin D. Wannemacher
(74) *Attorney, Agent, or Firm* — Karin L. Williams; Alan D. Kamrath; Mayer & Williams PC

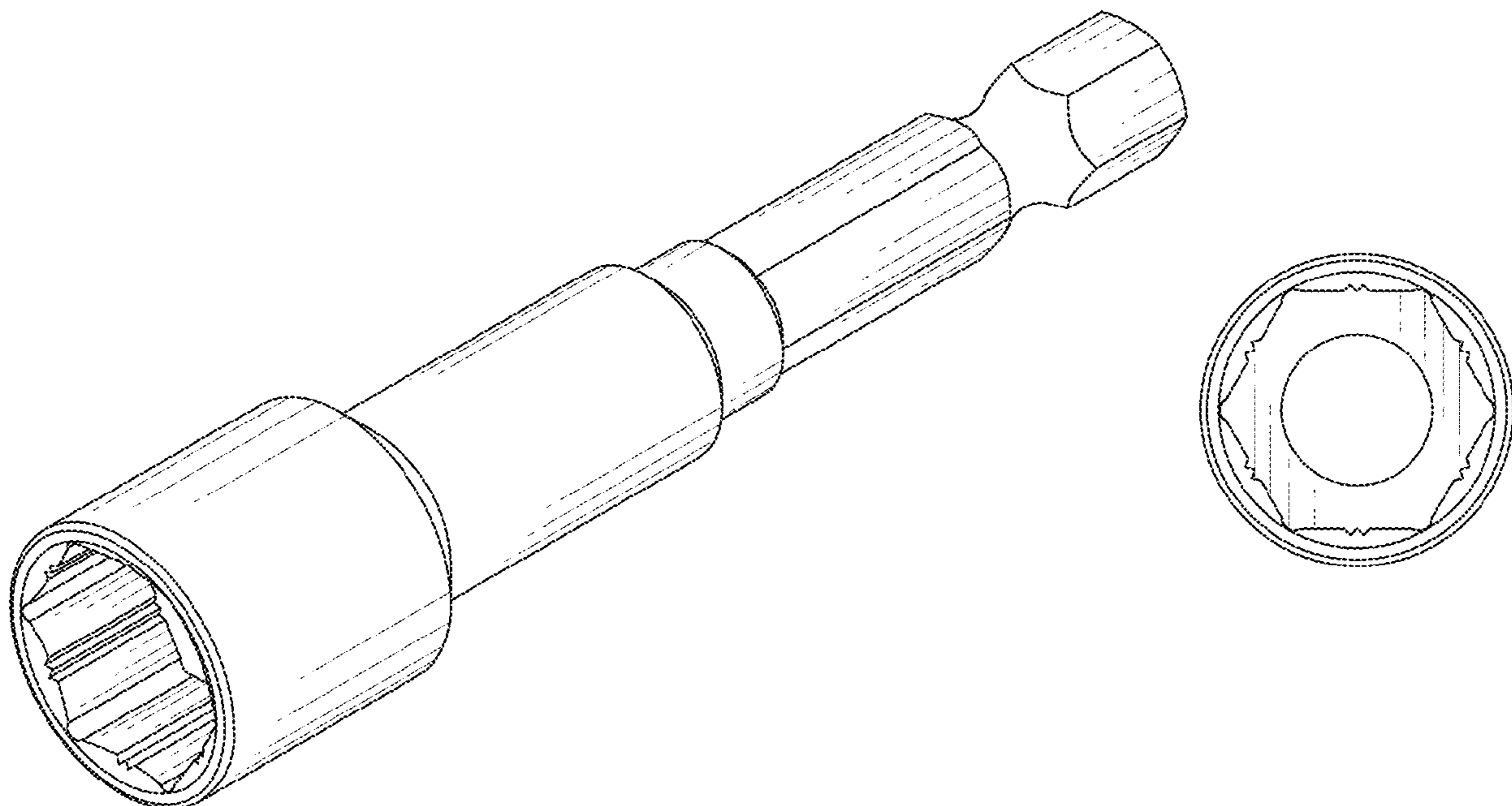
(57) **CLAIM**

The ornamental design for a socket, as shown and described.

DESCRIPTION

FIG. 1 is a perspective view of a socket showing my design.
FIG. 2 is a front elevational view thereof.
FIG. 3 is a rear elevational view thereof.
FIG. 4 is a left side elevational view thereof.
FIG. 5 is a right side elevational view thereof.
FIG. 6 is a top plan view thereof; and,
FIG. 7 is a bottom plan view thereof.

1 Claim, 4 Drawing Sheets



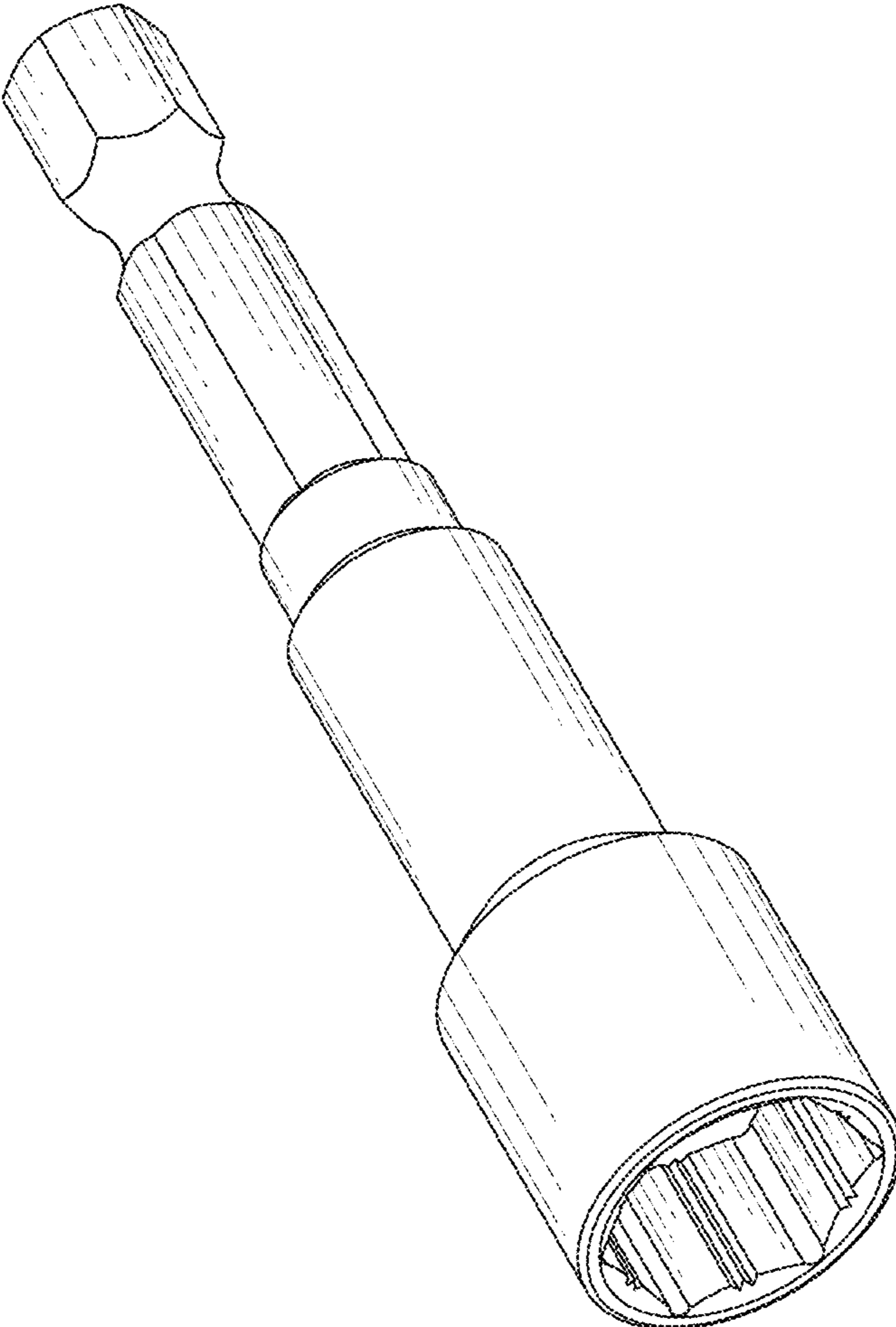


FIG. 1

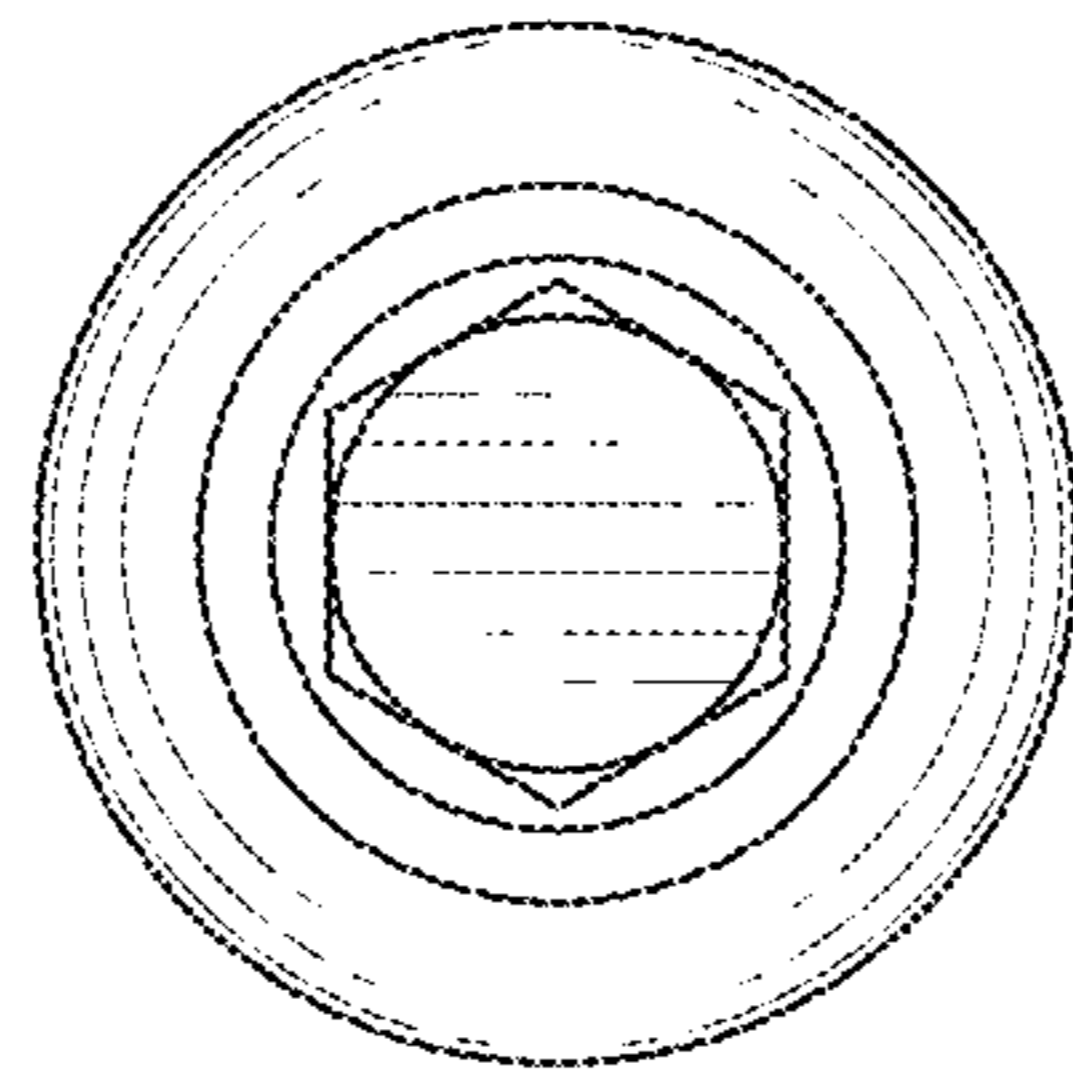


FIG. 3

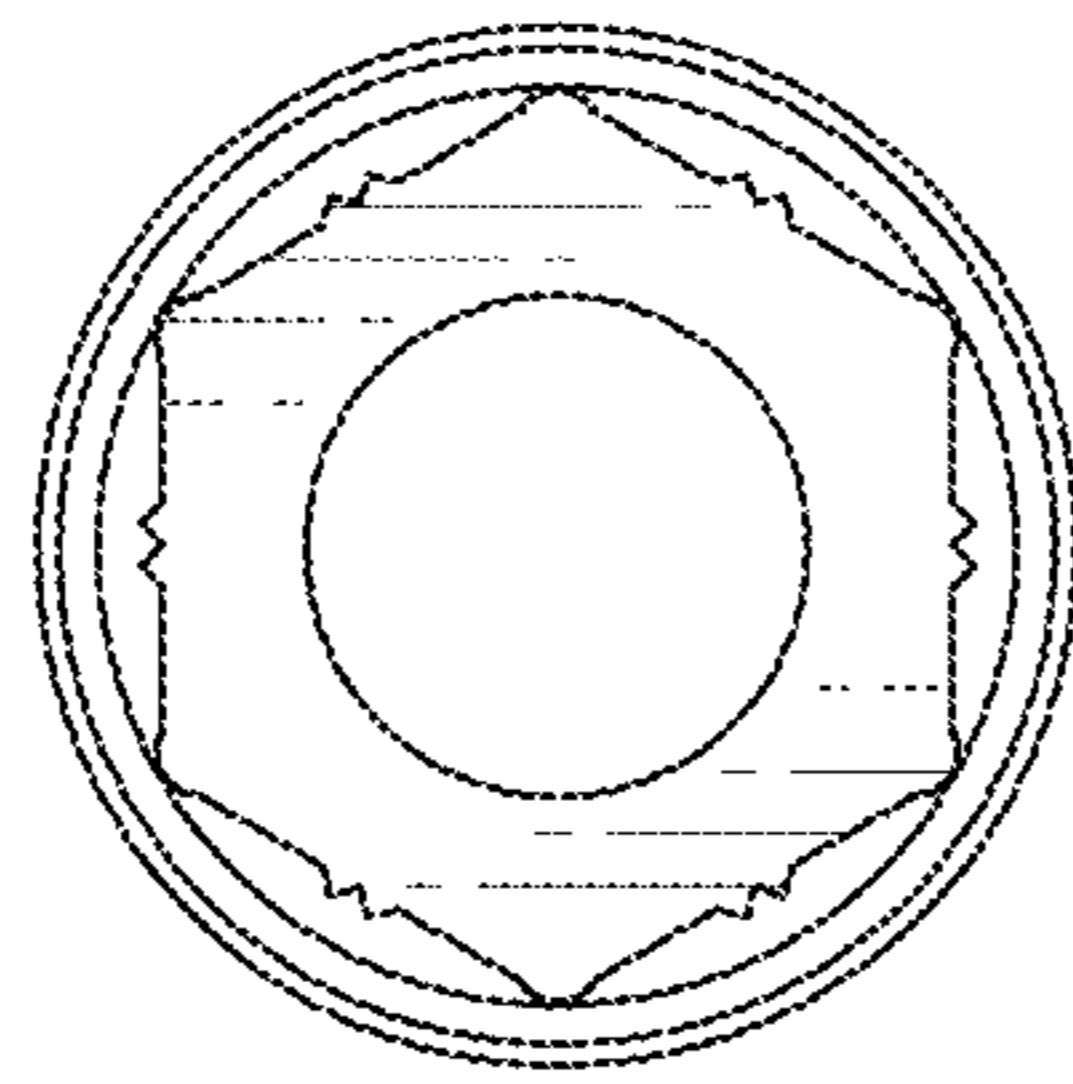


FIG. 2

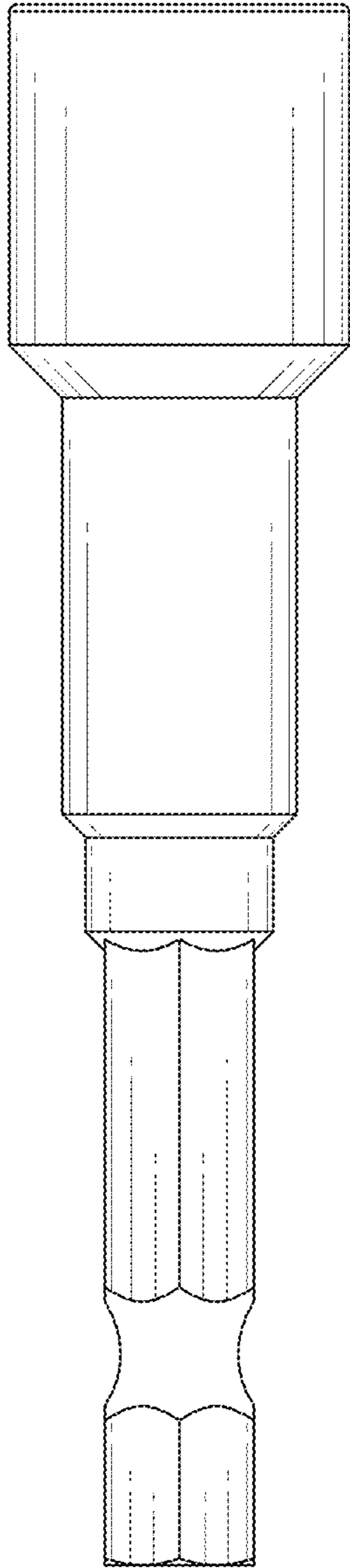


FIG. 4

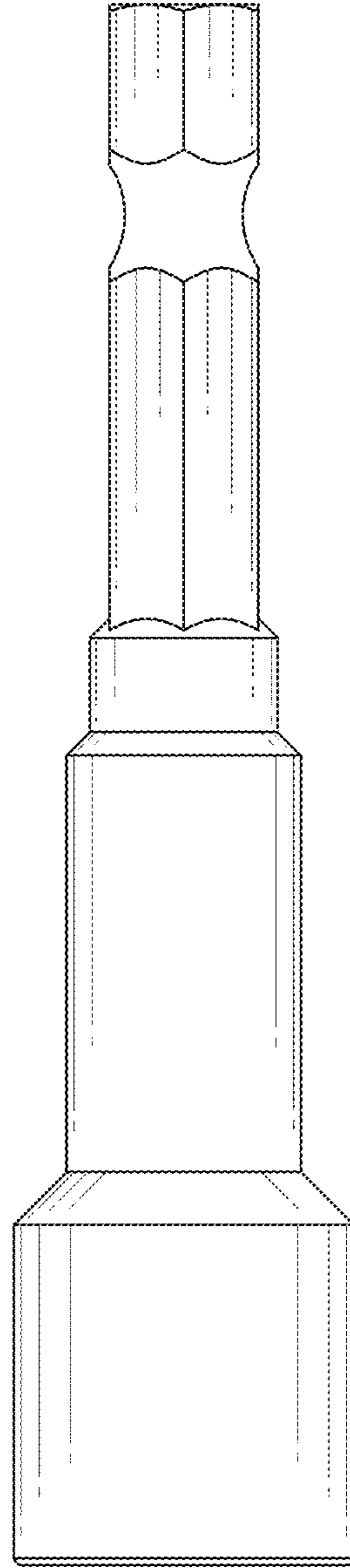


FIG. 5

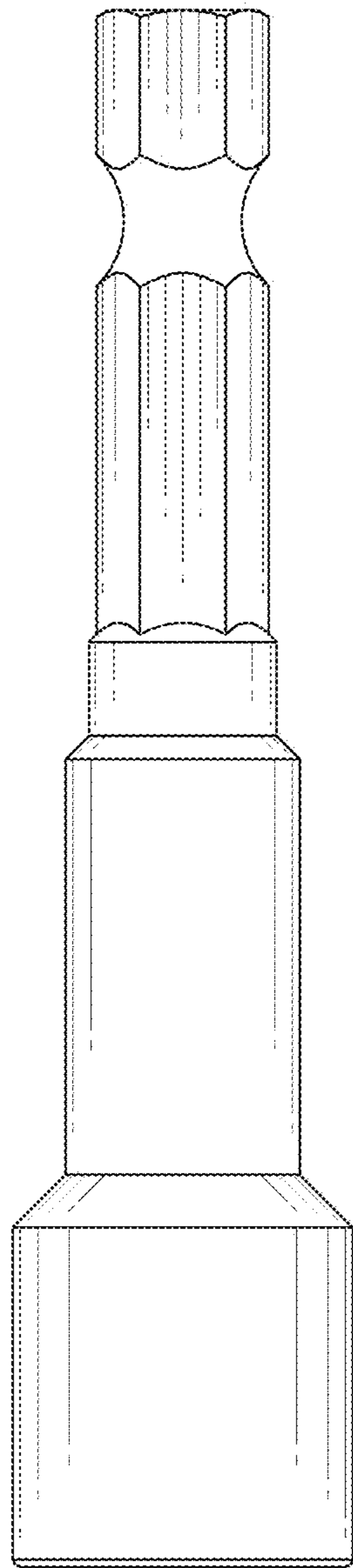


FIG. 6

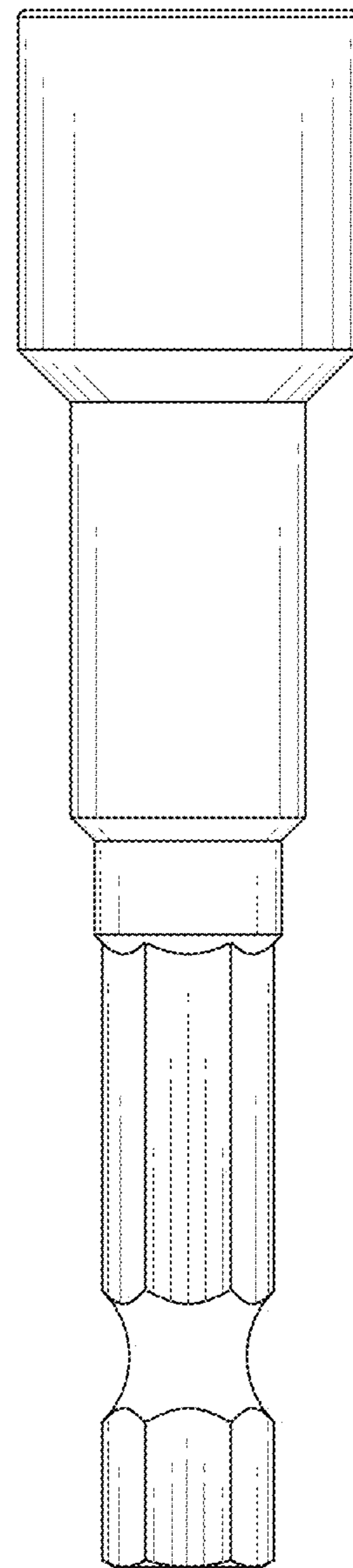


FIG. 7