



US00D957218S

(12) **United States Design Patent**  
**Scimone et al.**

(10) **Patent No.:** **US D957,218 S**

(45) **Date of Patent:** **\*\* Jul. 12, 2022**

- (54) **BLADE**
- (71) Applicant: **SLICE, INC.**, San Jose, CA (US)
- (72) Inventors: **Thomas Scimone**, San Jose, CA (US);  
**Robert Joseph Gallegos**, Fremont, CA (US)
- (73) Assignee: **Slice, Inc.**, Sunny Isles, FL (US)
- (\*\*) Term: **15 Years**
- (21) Appl. No.: **29/743,911**
- (22) Filed: **Jul. 24, 2020**
- (51) **LOC (13) Cl.** ..... **08-03**
- (52) **U.S. Cl.**  
USPC ..... **D8/20**
- (58) **Field of Classification Search**  
USPC ..... D8/20, 90, 91, 98-100, 104, 105;  
D15/139; D22/118  
CPC .. B23D 61/121; B23D 61/123; B23D 61/126;  
B23D 61/128; B26B 3/06; B26B 5/00;  
B26B 5/001; B26B 1/02; B26B 1/04;  
B26B 1/08  
See application file for complete search history.

D409,070	S	*	5/1999	Elishewitz	.....	D8/98
D409,269	S	*	5/1999	Carson	.....	D22/118
D425,389	S	*	5/2000	Elishewitz	.....	D8/20
D440,857	S	*	4/2001	Carroll	.....	D8/98
D446,571	S	*	8/2001	Frazer	.....	D22/118
6,941,661	B2	*	9/2005	Frazer	.....	B26B 1/048 30/160
7,278,213	B2	*	10/2007	Pardue	.....	B26B 1/04 30/159
D613,145	S	*	4/2010	Yang-Fu	.....	D8/99
D738,181	S	*	9/2015	Kanaan	.....	D8/99
9,815,213	B2	*	11/2017	Duey	.....	B26B 1/048
D813,623	S	*	3/2018	Marfione	.....	D8/20
D848,812	S	*	5/2019	Bloch	.....	D8/99
D895,393	S	*	9/2020	Marfione	.....	D8/99
D896,055	S	*	9/2020	Marfione	.....	D8/99
D924,654	S	*	7/2021	Chumchai	.....	D8/98
D937,653	S	*	12/2021	Omelchenko	.....	D8/99
2015/0352730	A1	*	12/2015	Duey	.....	B26B 1/048 30/159

\* cited by examiner

*Primary Examiner* — Elizabeth A. Albert  
(74) *Attorney, Agent, or Firm* — Ellenoff Grossman & Schole LLP; James M. Smedley; Alex Korona

(57) **CLAIM**

We claim the ornamental design for a blade, as shown and described.

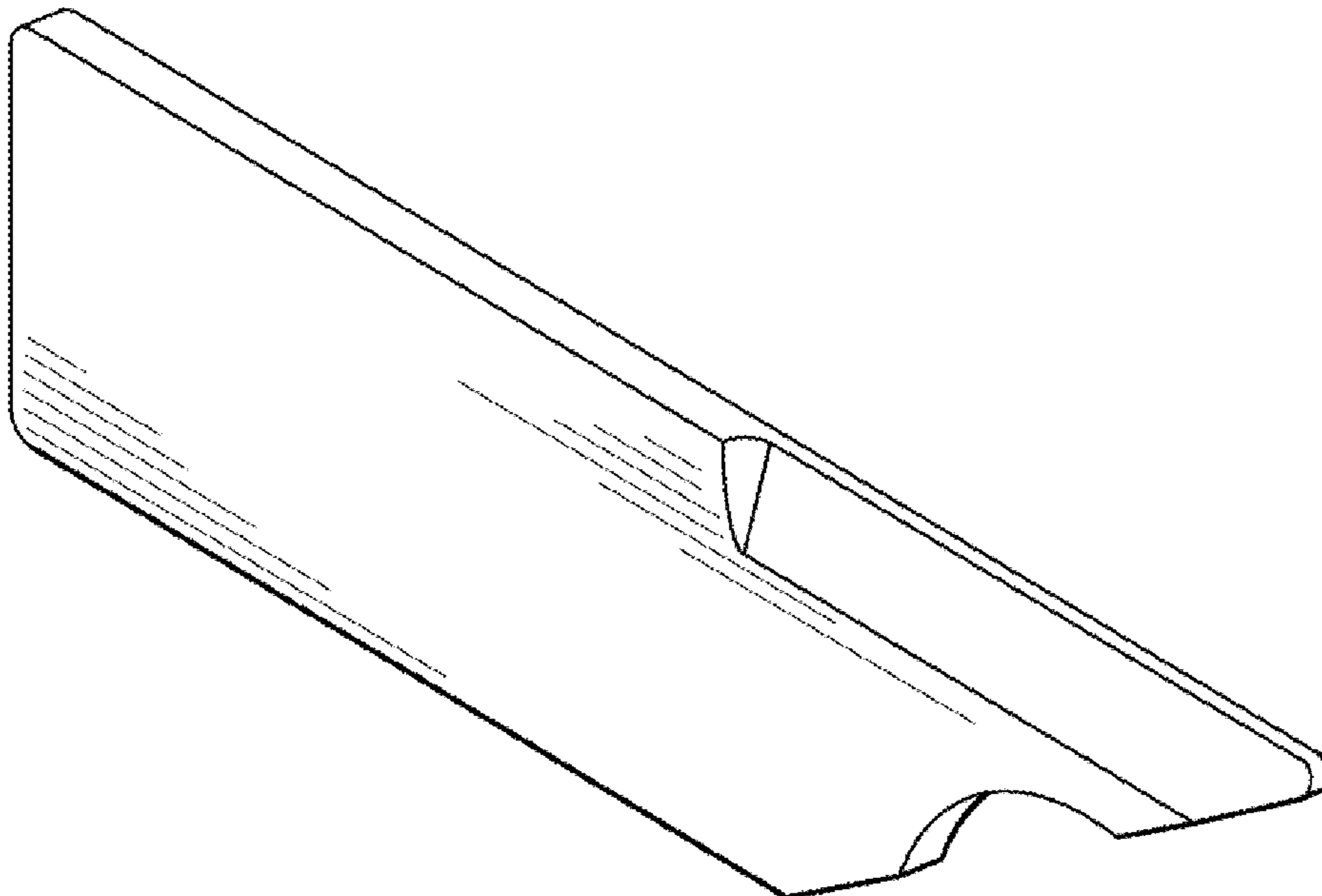
**DESCRIPTION**

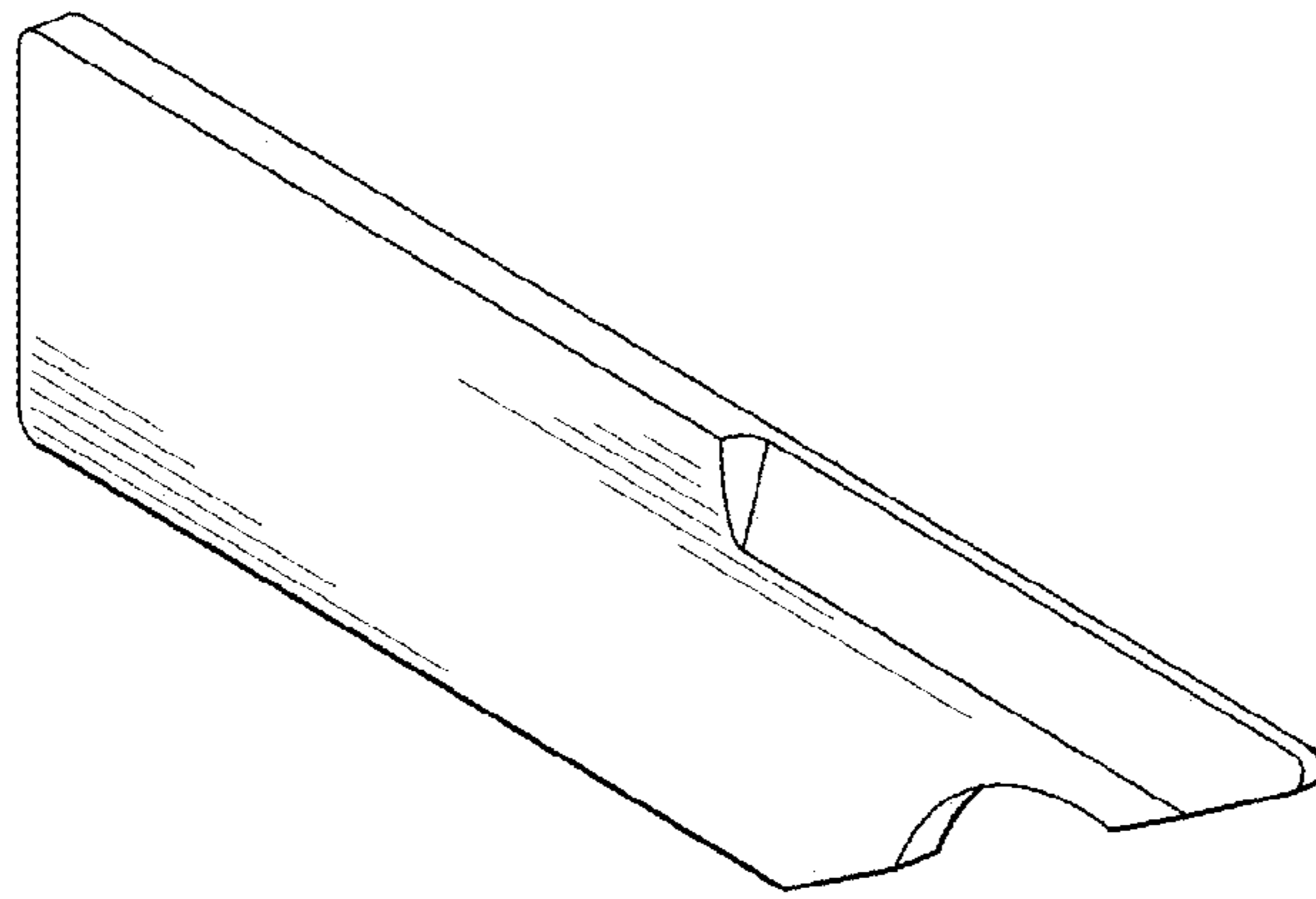
FIG. 1 is a top front perspective view showing the new design.  
FIG. 2 is a front view showing the new design.  
FIG. 3 is a rear view showing the new design.  
FIG. 4 is a top view showing the new design.  
FIG. 5 is a bottom view showing the new design.  
FIG. 6 is a right side view showing the new design; and,  
FIG. 7 is a left side view showing the new design.

**1 Claim, 1 Drawing Sheet**

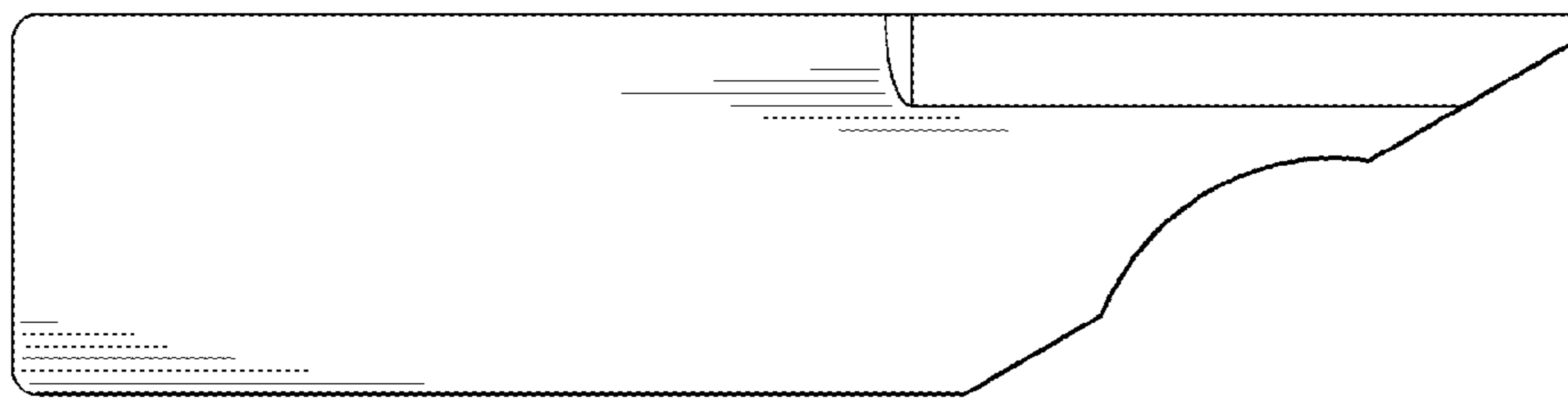
(56) **References Cited**  
U.S. PATENT DOCUMENTS

D104,498	S	*	5/1937	McDonald	.....	D10/62
3,121,952	A	*	2/1964	Schohl	.....	B26B 5/00 30/331
D201,734	S	*	7/1965	Derenski	.....	D19/123
D296,518	S	*	7/1988	Sadler	.....	D8/91
5,328,026	A	*	7/1994	Newman	.....	A45C 11/24 206/37.1
D364,327	S	*	11/1995	Graham	.....	D8/99
D389,389	S	*	1/1998	Glesser	.....	D8/99
D406,501	S	*	3/1999	Schultz	.....	D8/20

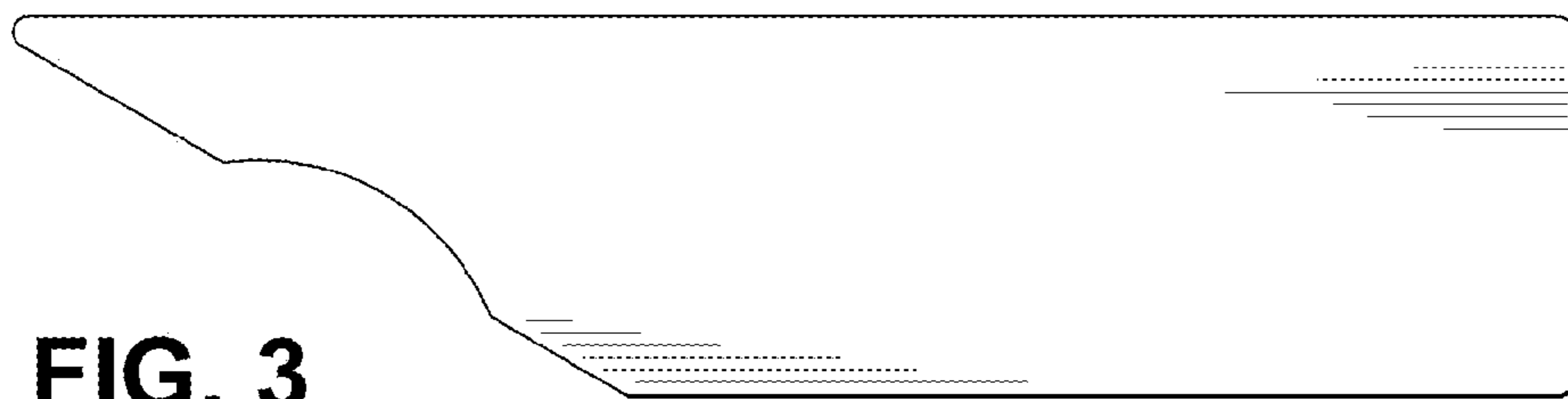




**FIG. 1**



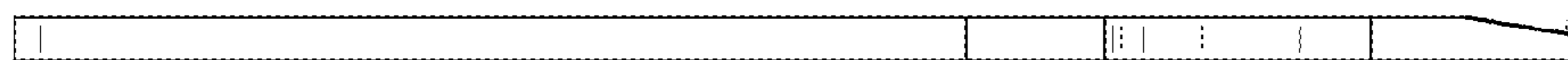
**FIG. 2**



**FIG. 3**



**FIG. 4**



**FIG. 5**



**FIG. 6**



**FIG. 7**