



US00D957217S

(12) **United States Design Patent**
Scimone et al.

(10) **Patent No.:** **US D957,217 S**
(45) **Date of Patent:** **** Jul. 12, 2022**

(54) **BLADE**
(71) Applicant: **SLICE, INC.**, San Jose, CA (US)
(72) Inventors: **Thomas Scimone**, San Jose, CA (US);
Robert Joseph Gallegos, Fremont, CA (US)
(73) Assignee: **Slice, Inc.**, Sunny Isles, FL (US)
(**) Term: **15 Years**
(21) Appl. No.: **29/743,909**
(22) Filed: **Jul. 24, 2020**
(51) **LOC (13) Cl.** **08-03**
(52) **U.S. Cl.**
USPC **D8/20**
(58) **Field of Classification Search**
USPC D8/20, 90, 91, 98-100, 104, 105;
D15/139; D22/118
CPC .. B23D 61/121; B23D 61/123; B23D 61/126;
B23D 61/128; B26B 3/06; B26B 5/00;
B26B 5/001; B26B 5/003; B26B 1/02;
B26B 1/04; B26B 1/08
See application file for complete search history.

(56) **References Cited**
U.S. PATENT DOCUMENTS
497,897 A * 5/1893 Schickler B26B 11/00
30/143
1,835,519 A * 12/1931 Pauli A61B 17/3213
152/212
1,888,488 A * 11/1932 Brown A61B 17/3213
279/90
1,915,244 A * 6/1933 Beaver A61B 17/3213
279/93
D92,791 S * 7/1934 Burgess D10/70
2,049,898 A * 8/1936 Driest A61B 17/3213
30/337
D189,298 S * 11/1960 Dowdy et al. D8/DIG. 3
D229,472 S * 12/1973 Collins D7/649

3,835,533 A * 9/1974 Granson B26B 11/005
30/146
D235,841 S * 7/1975 Cremonese D7/649
D265,719 S * 8/1982 Dowdy D8/99
D296,518 S * 7/1988 Sadler D8/91
D300,600 S * 4/1989 High D8/98
4,922,614 A * 5/1990 Machida B26B 5/00
606/167
5,330,494 A * 7/1994 van der Westhuizen
A61B 17/3211
30/2
5,342,379 A * 8/1994 Volinsky A61B 17/3213
30/162
5,344,424 A * 9/1994 Roberts A61B 17/3213
30/162
5,527,329 A * 6/1996 Gharibian A61B 17/3215
30/162

(Continued)

OTHER PUBLICATIONS

Slice 10483 Deburring Blade, Convex, Part No. 10483, ASIN: B08FJ4NB8X, online on Amazon.com, Date First Available: Oct. 7, 2020.*

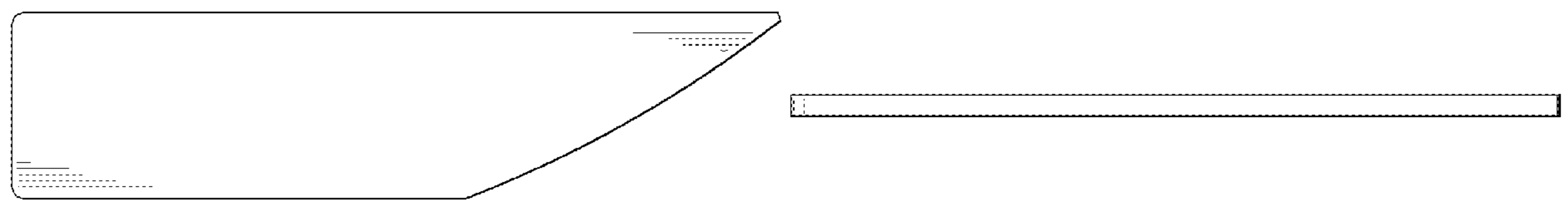
Primary Examiner — Elizabeth A. Albert
(74) *Attorney, Agent, or Firm* — Ellenoff Grossman & Schole LLP; James M. Smedley; Alex Korona

(57) **CLAIM**
We claim the ornamental design for a blade, as shown and described.

DESCRIPTION

FIG. 1 is a top front perspective view showing the new design.
FIG. 2 is a front view showing the new design, which is a mirror image of the rear view showing the new design.
FIG. 3 is a top view showing the new design.
FIG. 4 is a bottom view showing the new design.
FIG. 5 is a right side view showing the new design; and,
FIG. 6 is a left side view showing the new design.

1 Claim, 1 Drawing Sheet



(56)

References Cited

U.S. PATENT DOCUMENTS

5,730,751 A * 3/1998 Dillon A61B 17/3211
 30/2
 5,782,853 A * 7/1998 Zeevi A61B 17/3468
 606/187
 5,938,675 A * 8/1999 Gharibian B26B 29/025
 30/162
 5,938,676 A * 8/1999 Cohn B26B 29/02
 30/2
 D414,989 S * 10/1999 Shamoon D7/649
 6,077,283 A * 6/2000 Meyer A61B 17/3211
 606/167
 6,629,985 B1 * 10/2003 Kiehne A61B 17/3215
 30/162
 7,156,231 B1 * 1/2007 Austria A61B 17/32
 206/355
 D549,799 S * 8/2007 Kroll D26/38
 7,900,363 B1 * 3/2011 White B26B 5/00
 30/340
 8,074,364 B2 * 12/2011 Nakamura A61B 17/3217
 30/162
 D654,144 S * 2/2012 Karlsson D22/118
 8,282,662 B2 * 10/2012 Reaux A61B 17/3213
 606/167
 9,003,665 B2 * 4/2015 Pelton B26B 9/02
 7/158
 D796,923 S * 9/2017 Scimone D8/20
 D876,626 S * 2/2020 Scimone D24/147
 D885,863 S * 6/2020 Hartt D8/105
 D924,654 S * 7/2021 Chumchal D8/98
 11,090,820 B1 * 8/2021 Wu B26B 5/00
 D941,653 S * 1/2022 Scimone D8/90

* cited by examiner

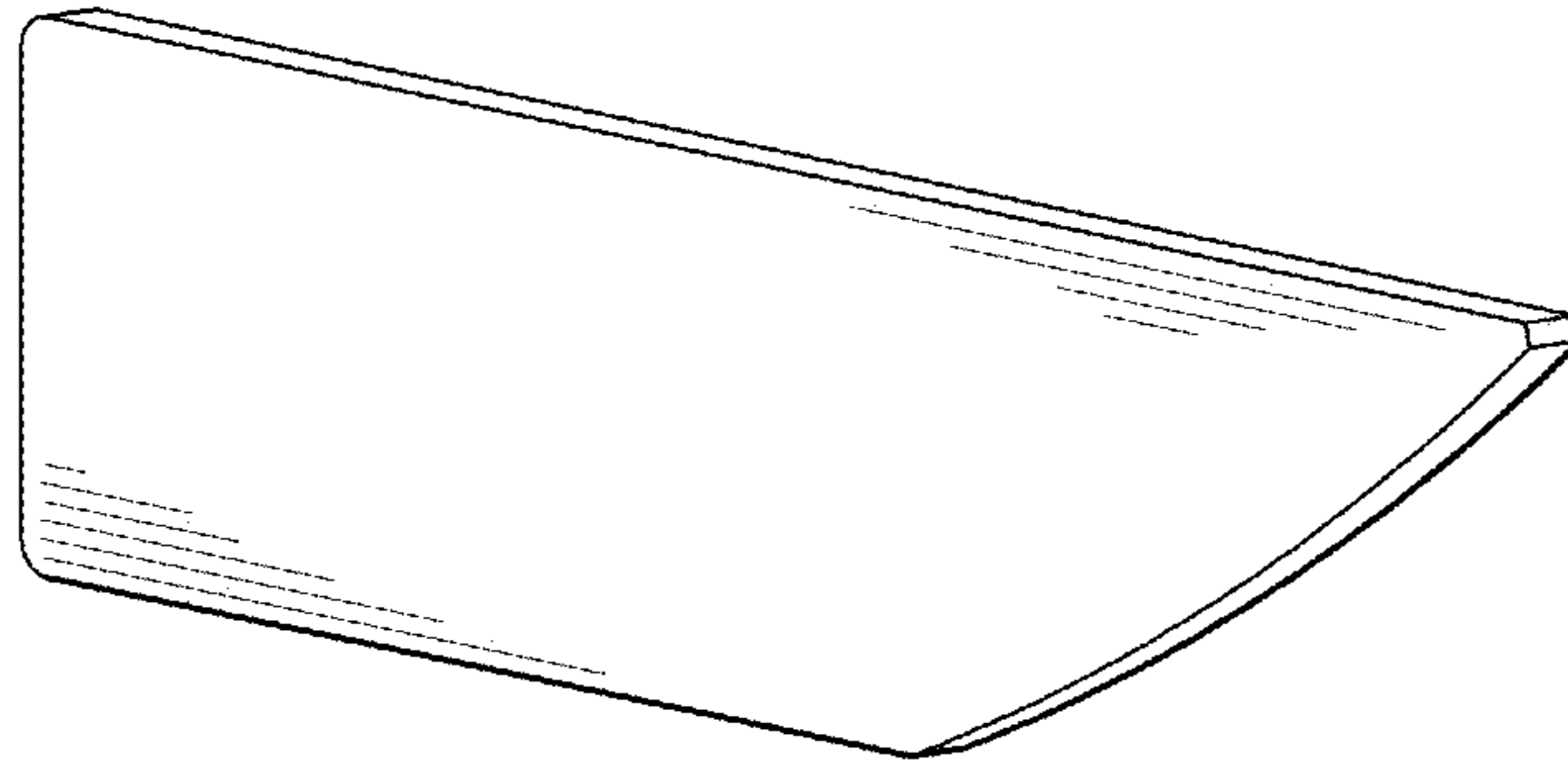


FIG. 1

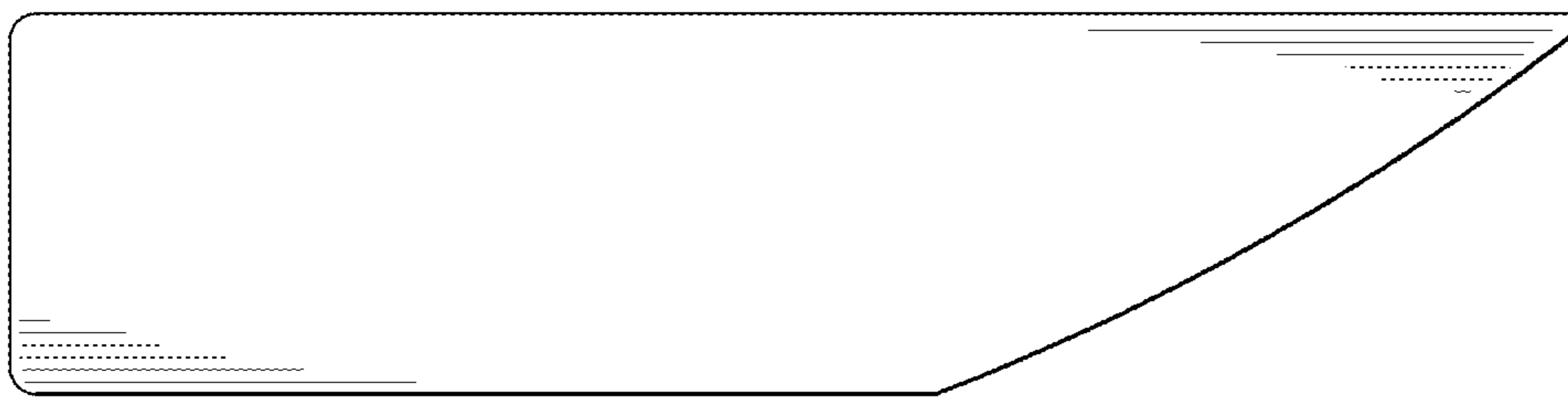


FIG. 2



FIG. 3



FIG. 4



FIG. 5



FIG. 6