



US00D957216S

(12) **United States Design Patent**  
**Poutiainen et al.**

(10) **Patent No.:** **US D957,216 S**  
(45) **Date of Patent:** **\*\* Jul. 12, 2022**

(54) **PLANTING TOOL**  
(71) Applicant: **Fiskars Finland Oy Ab**, Helsinki (FI)  
(72) Inventors: **Vesa Poutiainen**, Helsinki (FI); **Mikko Kemppe**, Helsinki (FI); **Kari Kunnas**, Helsinki (FI); **Sami Lyytikäinen**, Helsinki (FI); **Petteri Masalin**, Helsinki (FI)  
(73) Assignee: **FISKARS FINLAND OY AB**, Helsinki (FI)  
(\*\*) Term: **15 Years**  
(21) Appl. No.: **29/732,863**  
(22) Filed: **Apr. 28, 2020**  
(30) **Foreign Application Priority Data**

Nov. 4, 2019 (EM) ..... 007180245  
(51) **LOC (13) Cl.** ..... **08-01**  
(52) **U.S. Cl.**  
USPC ..... **D8/1**  
(58) **Field of Classification Search**  
USPC ..... D8/1, 3, 6, 7, 9, 12, 13  
CPC ..... A01C 5/02; A01B 1/16  
See application file for complete search history.

(56) **References Cited**  
U.S. PATENT DOCUMENTS  
156,203 A \* 10/1874 Garske ..... A01B 1/16  
294/50.6  
287,677 A \* 10/1883 Higinbotham ..... A01B 1/18  
294/50.5  
694,088 A \* 2/1902 Bowman ..... A01B 1/18  
294/50.9  
933,227 A \* 9/1909 Billau ..... A01B 1/16  
30/352  
1,065,456 A \* 6/1913 Lowrey ..... A01B 1/16  
408/205

1,244,344 A \* 10/1917 Leaman ..... A01B 1/18  
294/50.9  
1,528,157 A \* 3/1925 Leyden ..... A01B 1/16  
30/310  
1,881,112 A \* 10/1932 Allenson ..... A01B 1/16  
294/50.9  
1,939,897 A \* 12/1933 Hill ..... A01B 1/165  
30/130  
D213,058 S \* 12/1968 Clifton ..... D8/10  
3,526,217 A \* 9/1970 Garske ..... A47J 37/0763  
126/30  
4,031,832 A \* 6/1977 Edwards ..... A01C 11/006  
47/73  
D423,889 S \* 5/2000 Heffner ..... A01B 1/165  
D8/1  
D541,606 S \* 5/2007 Griffin ..... A47J 37/0763  
126/30  
2003/0037715 A1 \* 2/2003 Santa Cruz ..... A01B 1/165  
111/7.1  
2008/0105444 A1 \* 5/2008 Lafleur ..... A01B 1/16  
294/50.6

\* cited by examiner

*Primary Examiner* — Rachel A. Voorhies  
*Assistant Examiner* — Benjamin D. Wannemacher  
(74) *Attorney, Agent, or Firm* — Leason Ellis LLP

(57) **CLAIM**

The ornamental design for a planting tool, as shown and described.

**DESCRIPTION**

FIG. 1 is a perspective view of our planting tool according to our new design;  
FIG. 2 is a front view thereof;  
FIG. 3 is a rear view thereof;  
FIG. 4 is a right-side view thereof;  
FIG. 5 is a left-side view thereof;  
FIG. 6 is a top plan view thereof; and,  
FIG. 7 is a bottom plan view thereof.

**1 Claim, 7 Drawing Sheets**

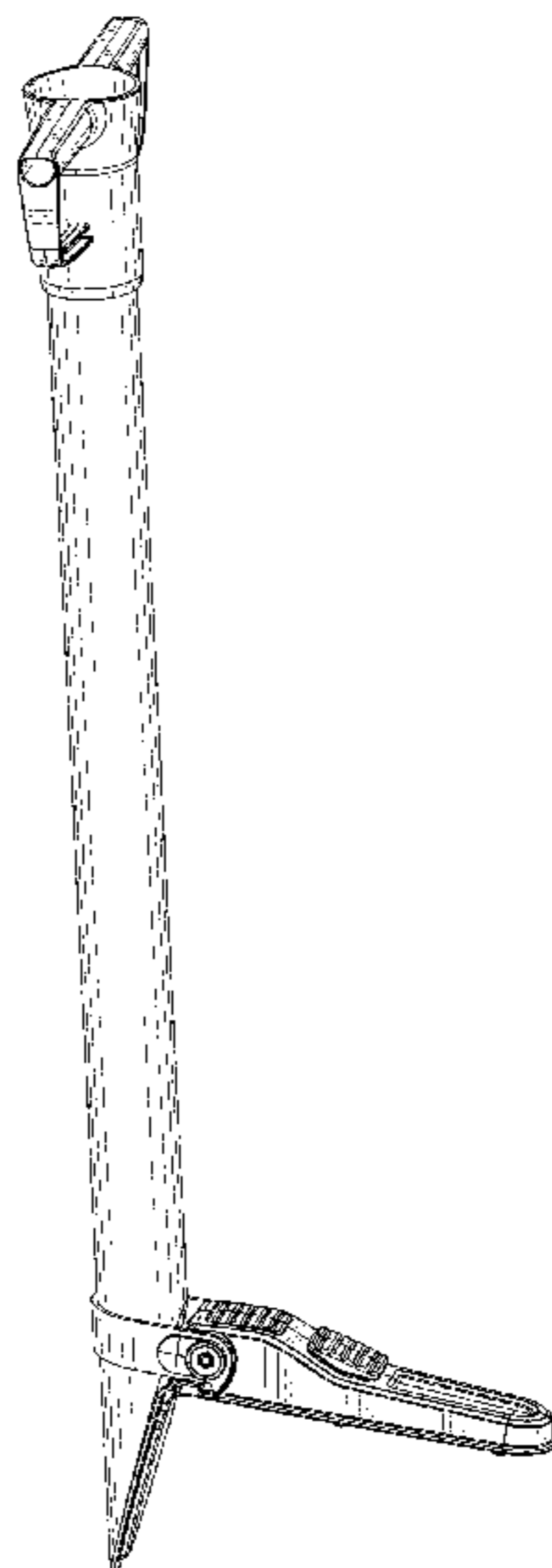


FIG. 1

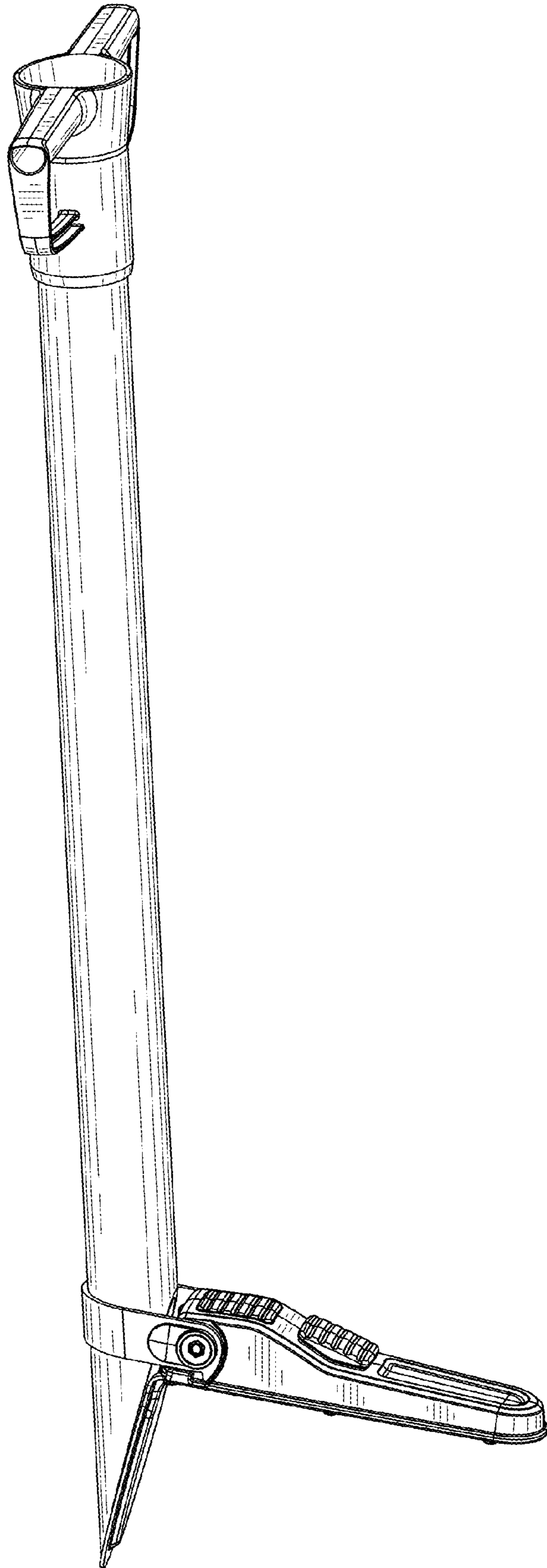


FIG. 2

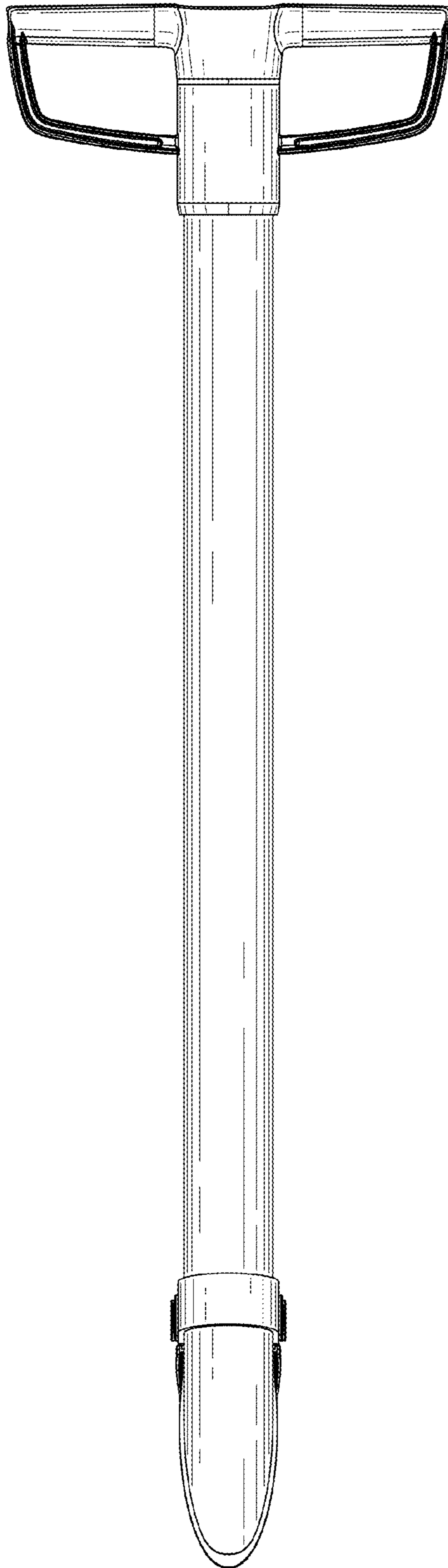


FIG. 3

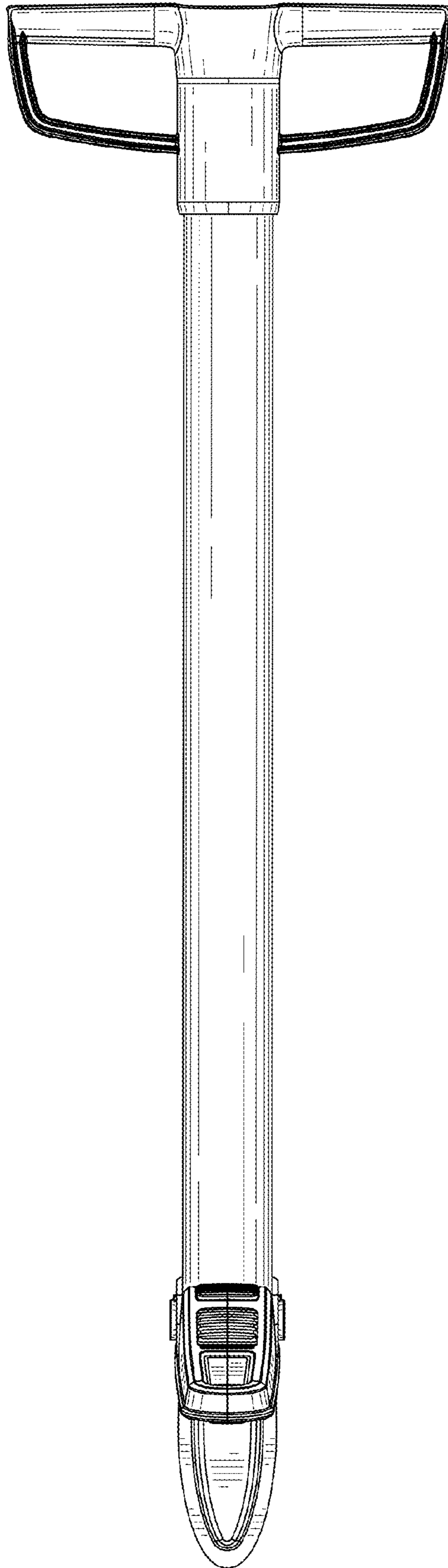


FIG. 4

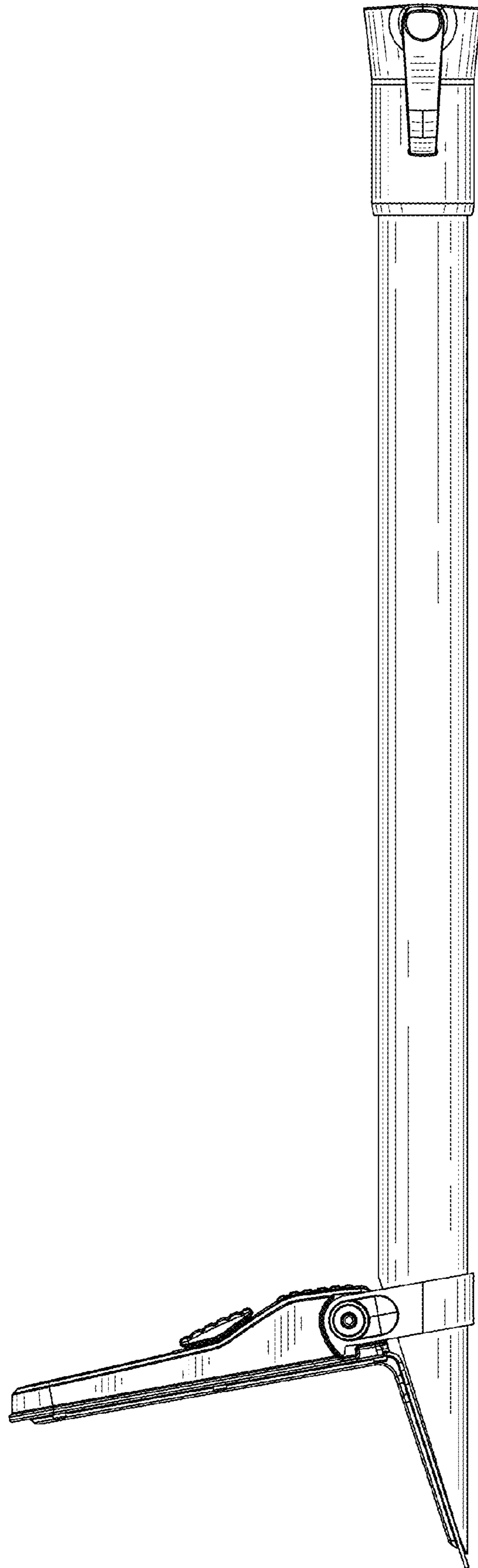


FIG. 5

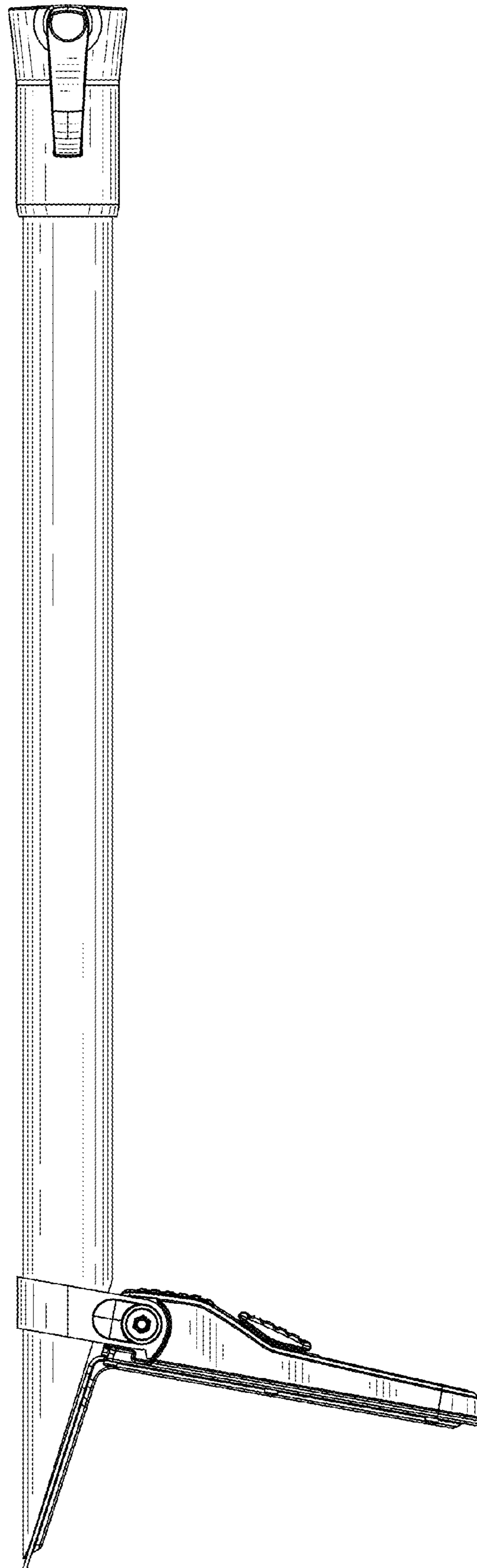


FIG. 6

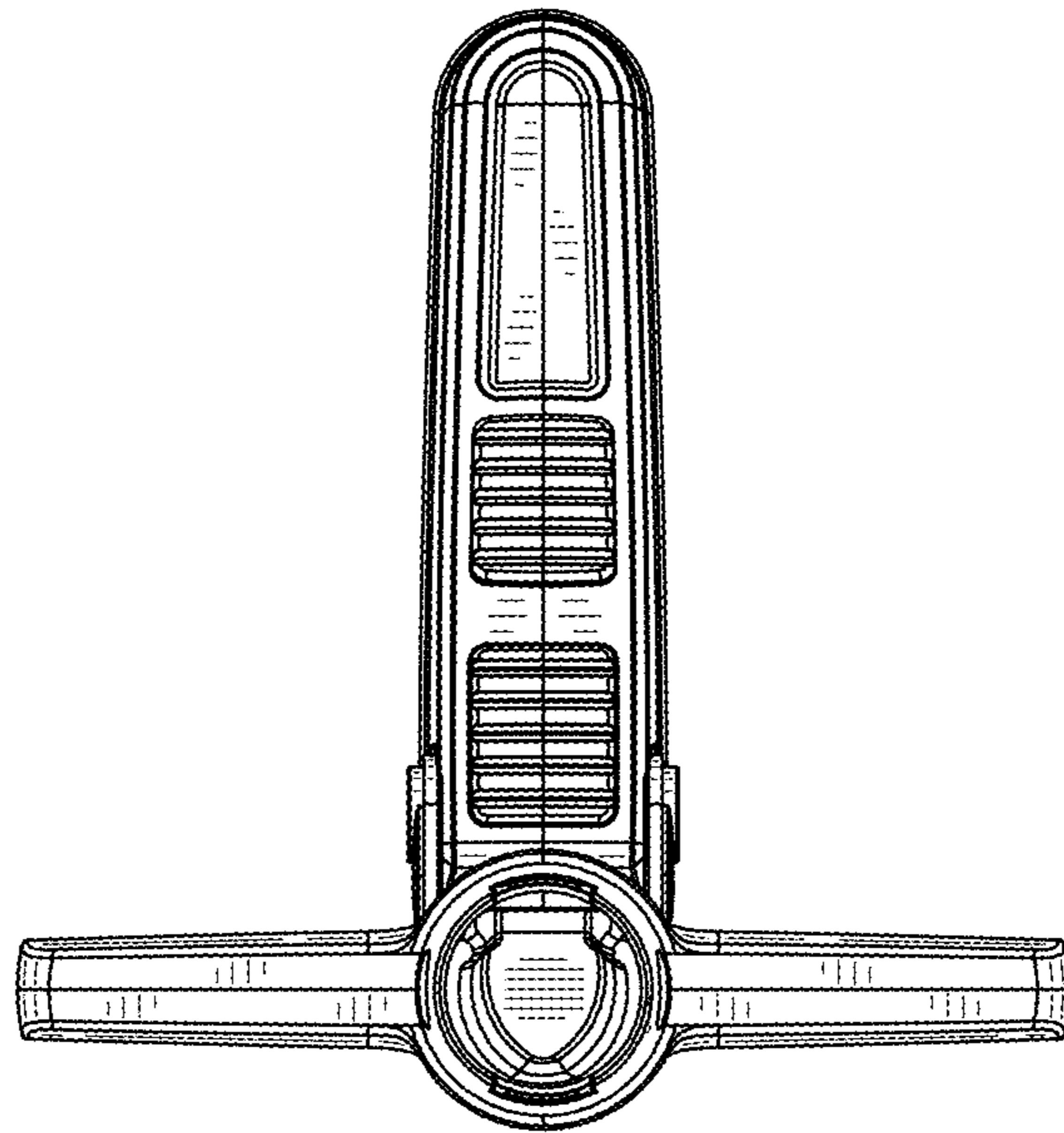


FIG. 7

