



US00D957215S

(12) **United States Design Patent**
Goldberg et al.

(10) **Patent No.:** **US D957,215 S**

(45) **Date of Patent:** **** Jul. 12, 2022**

- (54) **CONTAINER FOR FOOD**
- (71) Applicant: **Bear Down Brands, LLC**, Huntington Beach, CA (US)
- (72) Inventors: **Joshua Goldberg**, Huntington Beach, CA (US); **Samantha Peralta**, Huntington Beach, CA (US)
- (73) Assignee: **Bear Down Brands, LLC**, Santa Ana, CA (US)
- (**) Term: **15 Years**
- (21) Appl. No.: **29/739,377**
- (22) Filed: **Jun. 24, 2020**
- (51) **LOC (13) Cl.** **07-06**
- (52) **U.S. Cl.**
USPC **D7/703; D7/629**
- (58) **Field of Classification Search**
USPC D7/629, 709, 701-708; D3/295, 294, D3/283, 273, 274
CPC A45C 11/20; A45C 11/00; A45C 2/02; A45C 13/02; A45C 13/1046; A45C 2013/026; B65D 25/04
See application file for complete search history.

- D472,774 S * 4/2003 Pelstring D7/629
- D566,484 S * 4/2008 George D7/629
- D801,754 S * 11/2017 Neumann A45C 11/20 D7/629
- D814,885 S * 4/2018 Casey D7/629
- 10,005,573 B2 * 6/2018 Miros A45C 11/20
- D944,608 S * 3/2022 Lu D7/703

OTHER PUBLICATIONS

Amazon.com, Bentgo Fresh Leak Proof 4 Compartment Bento Style Lunch box, Bento Store, ASIN: B0737GHZ4P, 13 pages, earliest date available Jun. 22, 2017. (Year: 2017).*

Amazon.com, Bentgo Fresh Leak Proof Versatile 4 Compartment Bento Style Lunch Box, Bento Store, ASIN: B07MWCKMZ5, 16 pages, earliest date available Sep. 8, 2019. (Year: 2019).*

* cited by examiner

Primary Examiner — Terry A Wallace
 (74) *Attorney, Agent, or Firm* — Gloria Tsui-Yip; Gottlieb, Rackman & Reisman, P.C.

(57) **CLAIM**

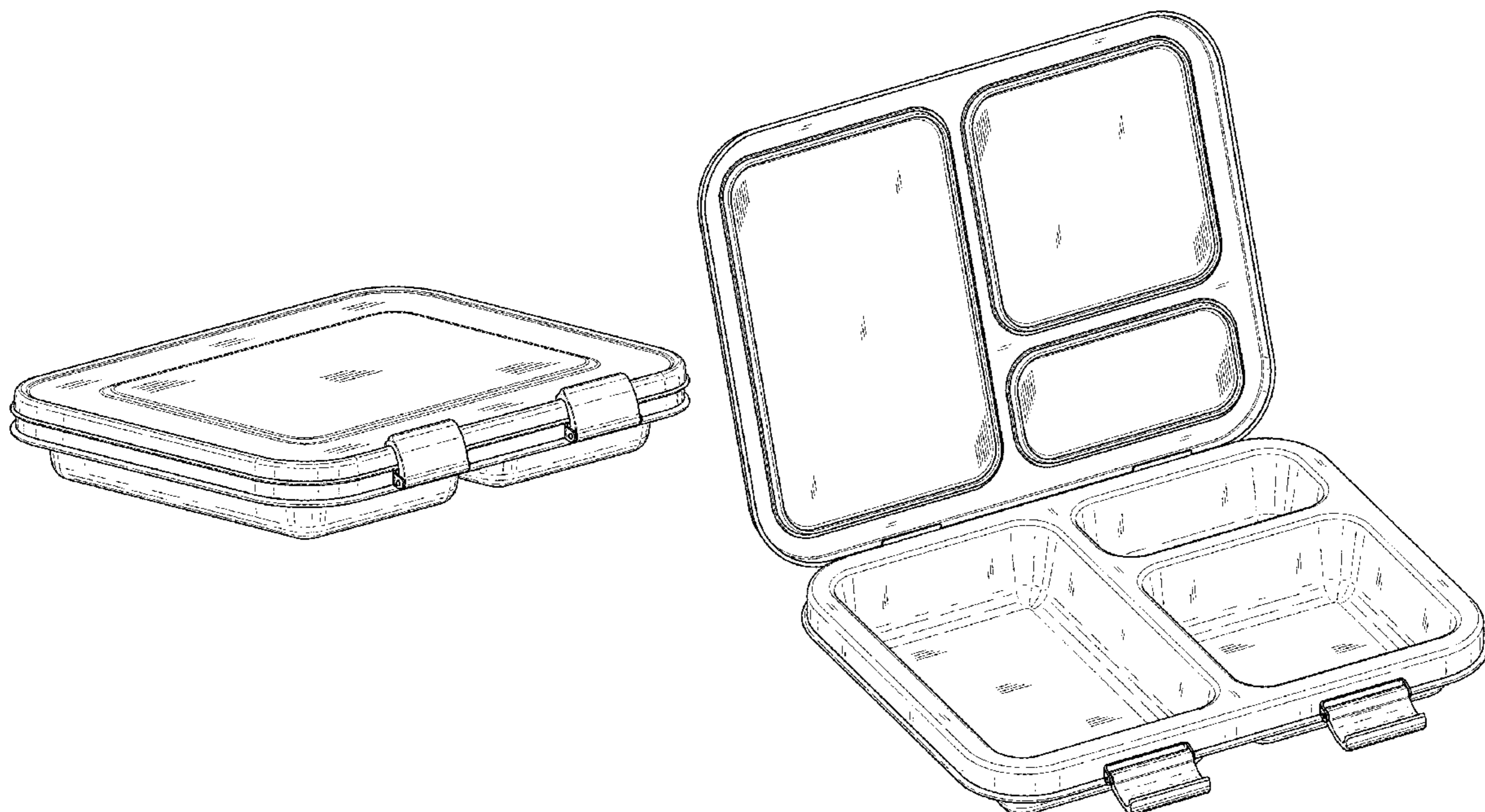
The ornamental design for a container for food, as shown and described.

DESCRIPTION

FIG. 1 is a top plan view of a container for food showing my new design;
 FIG. 2 is a front elevational view thereof;
 FIG. 3 is a bottom plan view thereof;
 FIG. 4 is a rear elevational view thereof;
 FIG. 5 is a left side view thereof;
 FIG. 6 is a right side view thereof;
 FIG. 7 is a perspective view thereof; and,
 FIG. 8 is another perspective view of the container for food showing my new design in an open configuration.

1 Claim, 5 Drawing Sheets

- (56) **References Cited**
U.S. PATENT DOCUMENTS
- D31,403 S * 8/1899 Algots D7/602
- 2,672,232 A * 3/1954 Kessell, Jr. A45C 11/20 220/521
- D302,904 S * 8/1989 Dunkfeld, Jr. D7/709
- 5,011,020 A * 4/1991 Stevens A45C 13/02 206/811
- 5,671,846 A * 9/1997 Frank A45C 11/20 206/541



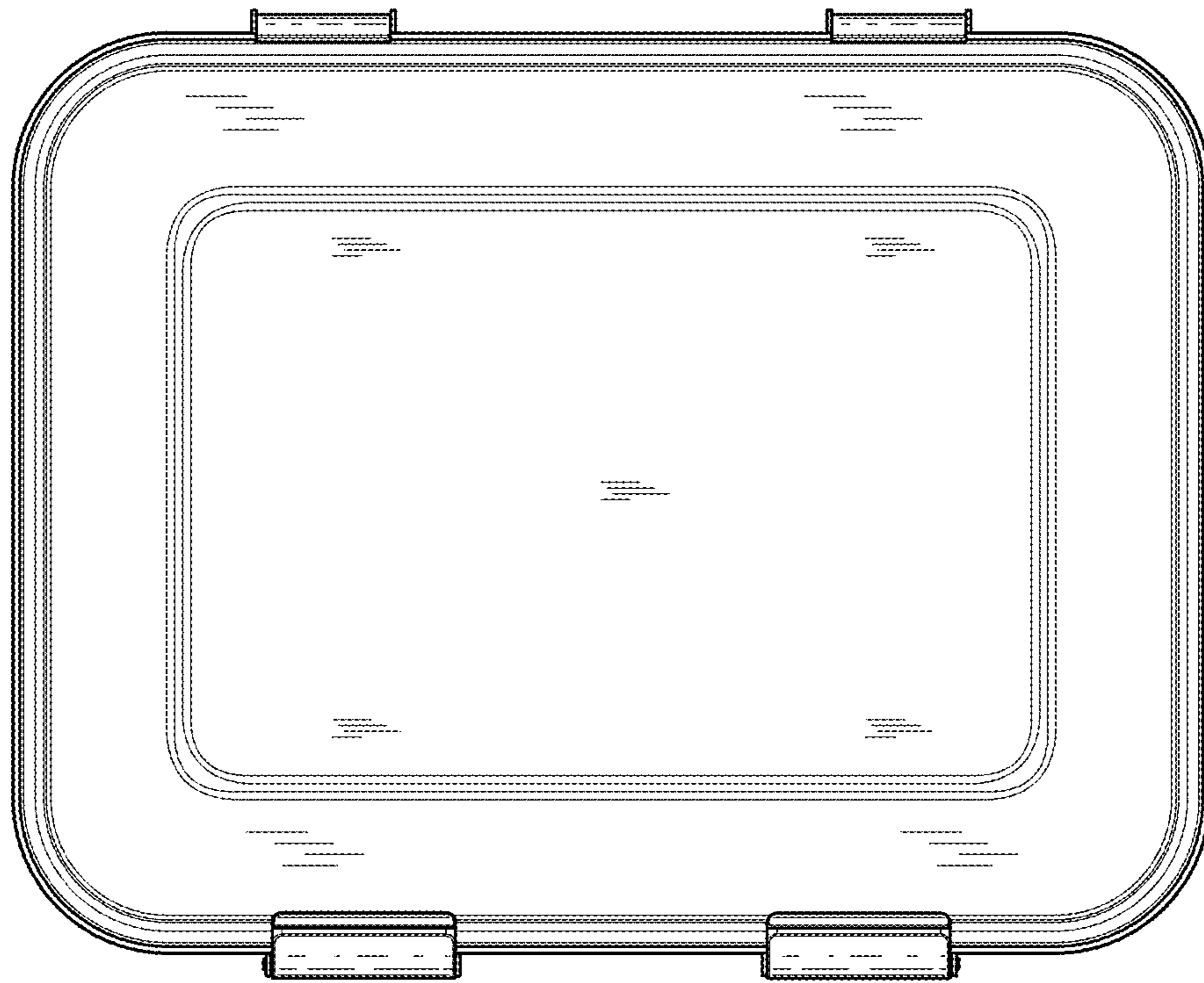


FIG. 1

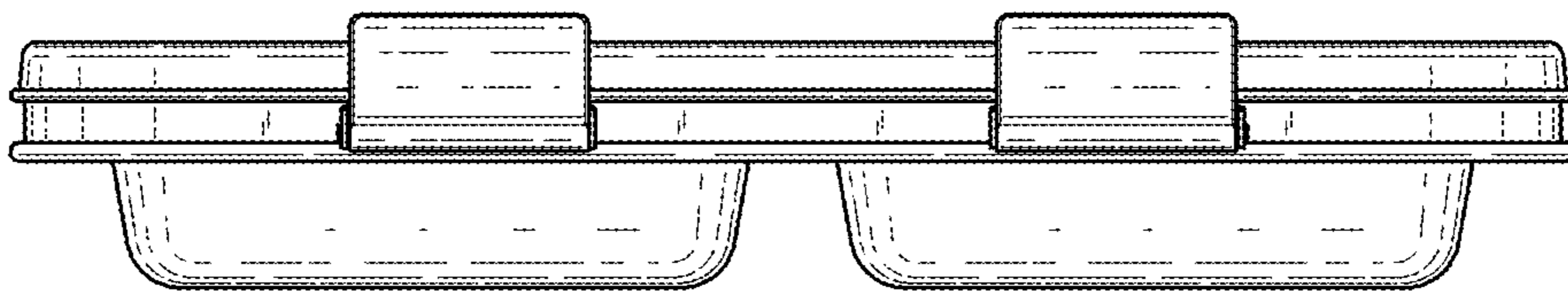


FIG. 2

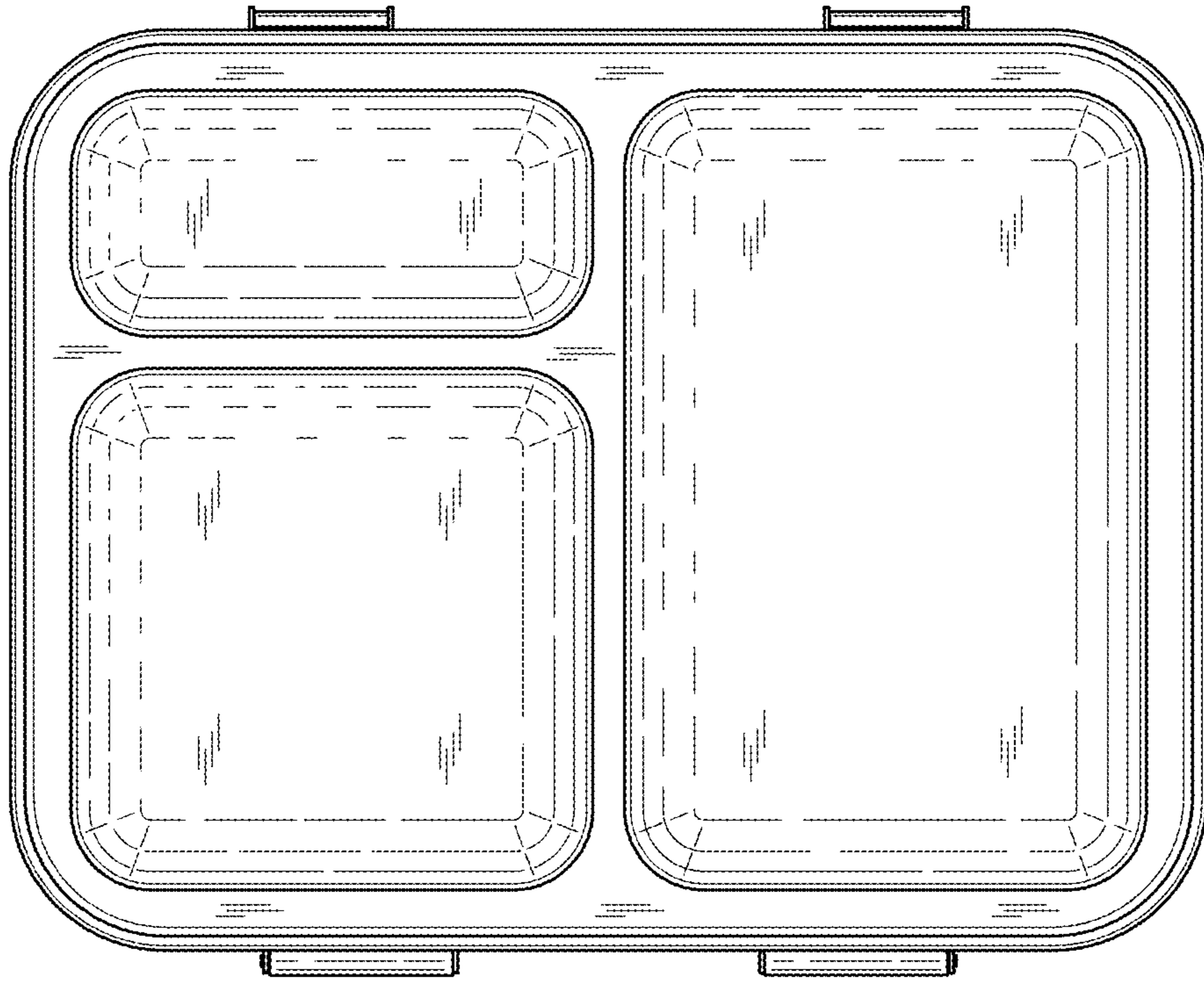


FIG.3

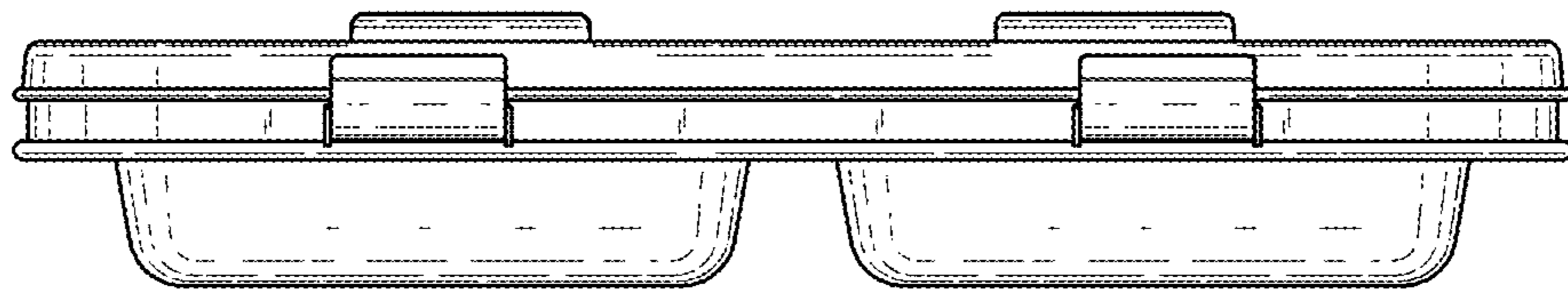


FIG.4

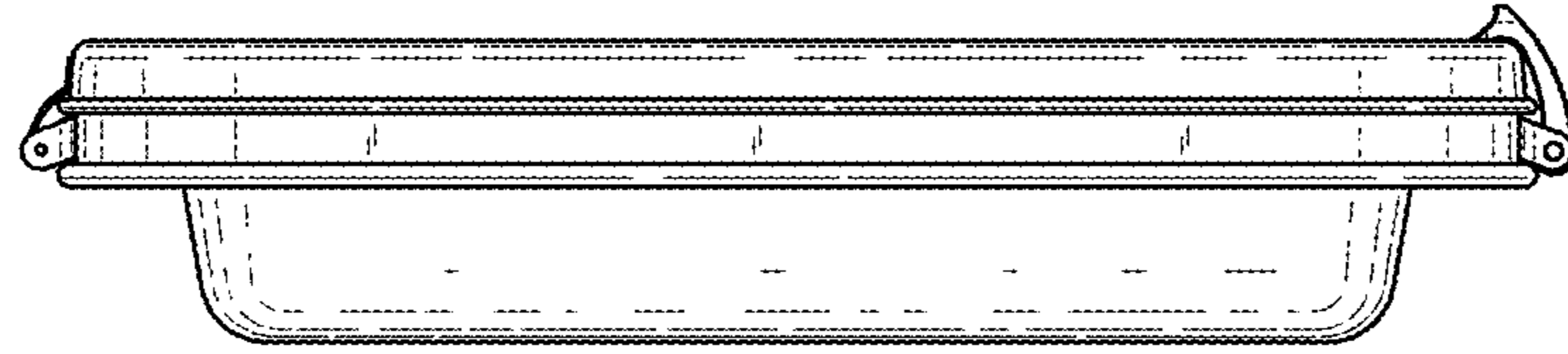


FIG.5

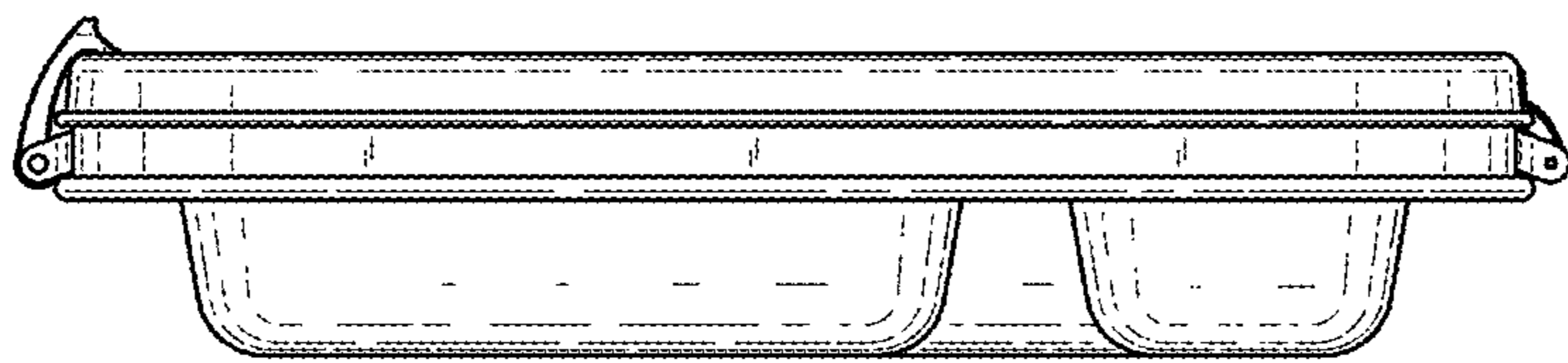


FIG.6

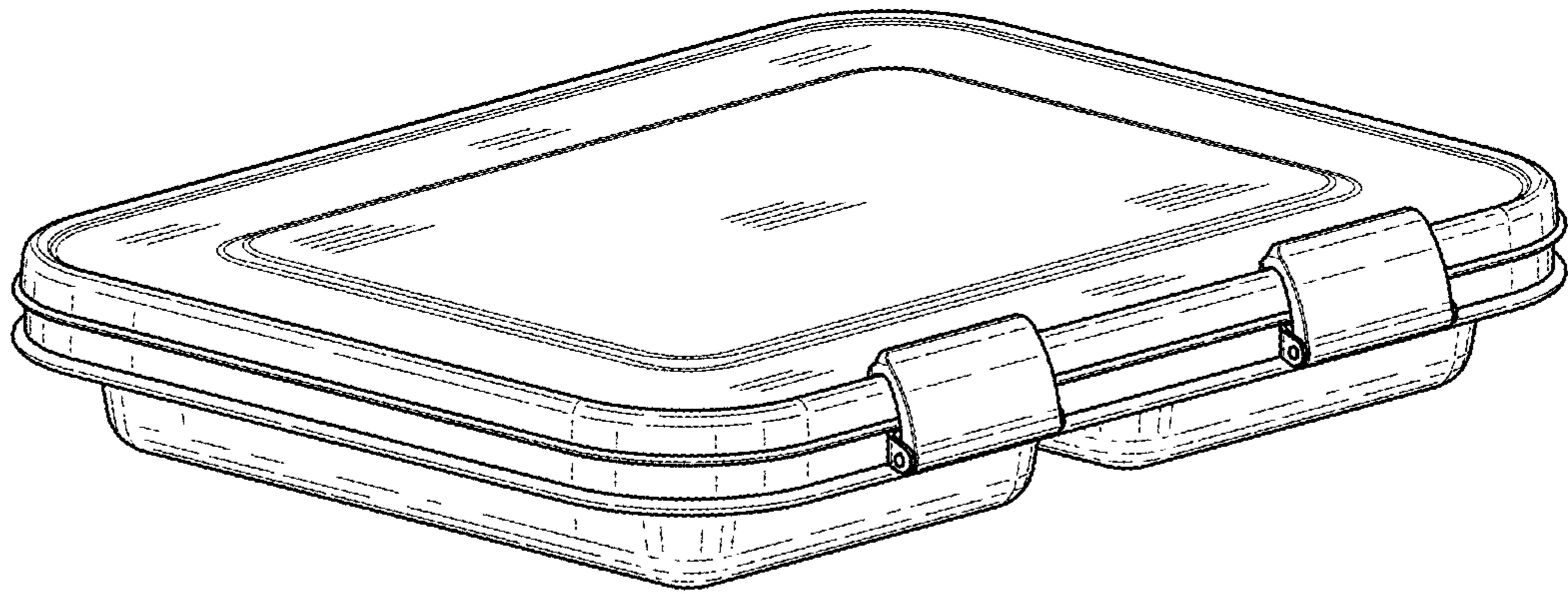


FIG.7



FIG.8