



US00D957213S

(12) **United States Design Patent** (10) **Patent No.:** **US D957,213 S**  
**Maghsadi et al.** (45) **Date of Patent:** **\*\* \*Jul. 12, 2022**

(54) **COOKING UTENSIL**

(71) Applicant: **SOLO BRANDS, LLC**, Grapevine, TX (US)

(72) Inventors: **Alexander K. Maghsadi**, Lewisville, TX (US); **Jeffrey R. Weilert**, Southlake, TX (US)

(73) Assignee: **SOLO BRANDS, LLC**, Grapevine, TX (US)

(\*) Notice: This patent is subject to a terminal disclaimer.

(\*\*) Term: **15 Years**

(21) Appl. No.: **29/754,356**

(22) Filed: **Oct. 9, 2020**

**Related U.S. Application Data**

(63) Continuation-in-part of application No. 29/727,321, filed on Mar. 10, 2020.

(51) **LOC (13) Cl.** ..... **07-02**

(52) **U.S. Cl.**  
USPC ..... **D7/692**

(58) **Field of Classification Search**  
USPC ..... D7/213, 372, 381, 412, 673, 683, 686, D7/687, 688, 689, 691, 692, 693, 694, D7/695, 696

(Continued)

(56) **References Cited**

**U.S. PATENT DOCUMENTS**

D205,540 S \* 8/1966 Latham ..... D7/692

D207,114 S \* 3/1967 Latham ..... D7/692

(Continued)

**OTHER PUBLICATIONS**

Solo Stove website, Grill Tools, Earliest comment date May 26, 2021, [site visited Sep. 23, 2021], Available on the Internet URL <https://www.solostove.com/grill-tools/> (Year: 2021).\*

*Primary Examiner* — S. Bryan Reinholdt, Jr.

(74) *Attorney, Agent, or Firm* — Haynes and Boone, LLP

(57) **CLAIM**

The ornamental design for a cooking utensil, as shown and described.

**DESCRIPTION**

This application is related to U.S. application Ser. No. 29/727,324, filed Mar. 10, 2020, the entire disclosure of which is hereby incorporated herein by reference.

This application is also related to U.S. application Ser. No. 29/754,352, filed Oct. 9, 2020, the entire disclosure of which is hereby incorporated herein by reference.

This application is also related to U.S. application Ser. No. 29/727,315, filed Mar. 10, 2020, the entire disclosure of which is hereby incorporated herein by reference.

This application is also related to U.S. application Ser. No. 29/754,360, filed Oct. 9, 2020, the entire disclosure of which is hereby incorporated herein by reference.

This application is also related to U.S. application Ser. No. 29/727,308, filed Mar. 10, 2020, the entire disclosure of which is hereby incorporated herein by reference.

FIG. 1 is a front perspective view of a cooking utensil showing our new design according to a first embodiment;

FIG. 2 is a top view of the first embodiment;

FIG. 3 is a bottom view of the first embodiment;

FIG. 4 is a right side view of the first embodiment;

FIG. 5 is a left side view of the first embodiment;

FIG. 6 is a front view of the first embodiment shown at a larger scale;

FIG. 7 is a rear view of the first embodiment shown at a larger scale; and

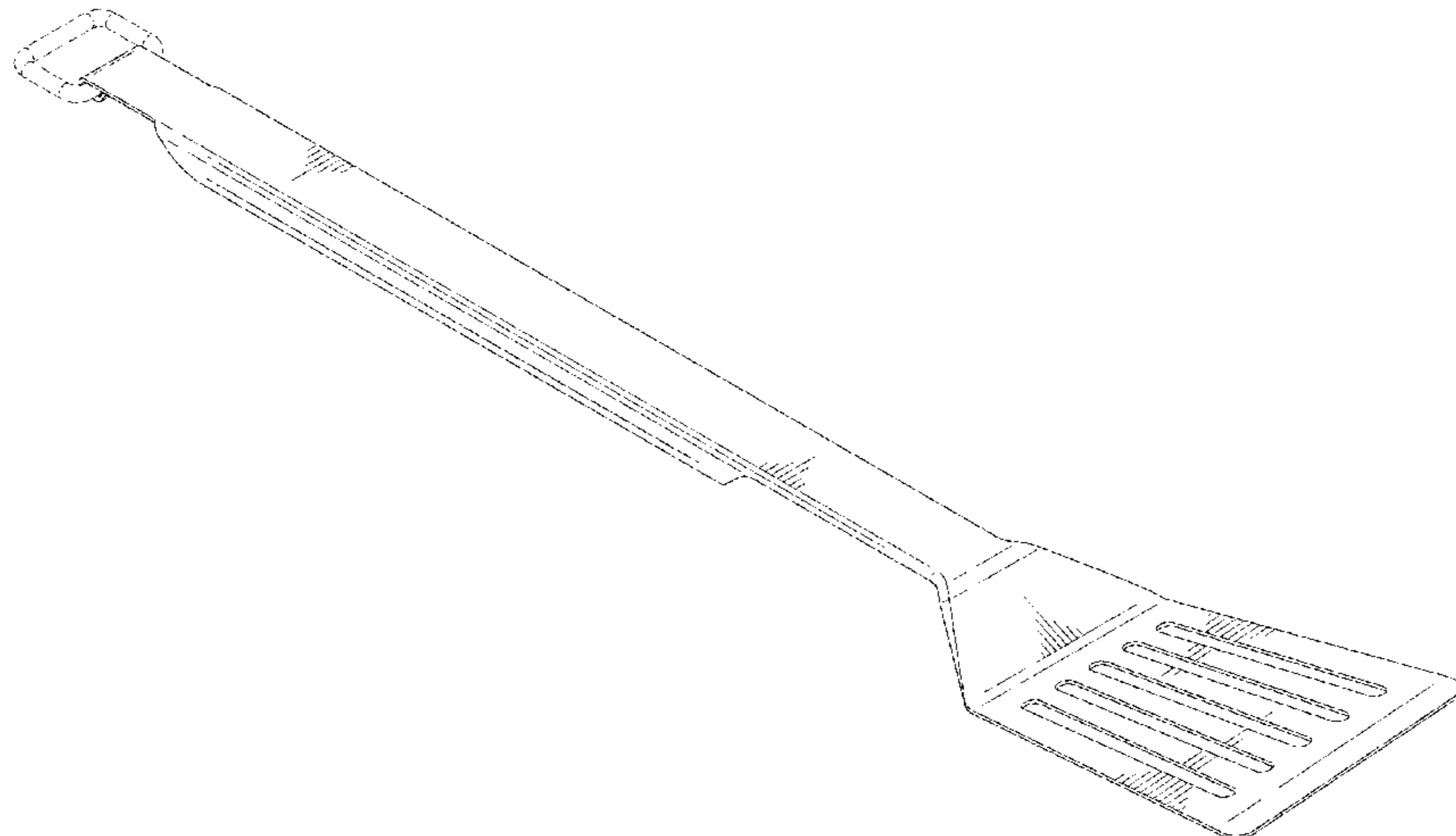
FIG. 8 is a rear perspective view of the first embodiment; and,

FIG. 9 is a bottom view of the cooking utensil showing our new design according to a second embodiment.

The broken lines shown in FIGS. 1-5 and 7-9 depict portions of the cooking utensil that form no part of the claimed design.

In FIG. 9, the second embodiment of the cooking utensil is shown with two (2) sets of break lines; neither the break lines nor the appearance of any portion of the second embodiment of the cooking utensil between each set of the break lines forms part of the claimed design.

**1 Claim, 6 Drawing Sheets**



(58) **Field of Classification Search**

CPC ..... A47J 43/282; A47J 43/288

See application file for complete search history.

(56) **References Cited**

U.S. PATENT DOCUMENTS

D268,243	S	*	3/1983	Morin	.....	D7/692
D293,295	S	*	12/1987	Johnson	.....	D7/688
D306,115	S	*	2/1990	Zimmerman	.....	D7/669
D392,851	S	*	3/1998	Zeller	.....	D7/692
D396,389	S	*	7/1998	Durbin	.....	D7/692
D412,814	S	*	8/1999	Fielding	.....	D7/692
D443,186	S	*	6/2001	Kaposi	.....	D7/692
D456,223	S	*	4/2002	Rowe	.....	D7/692
D487,679	S	*	3/2004	Overthun	.....	D7/692
D619,429	S	*	7/2010	Benfatti	.....	D7/669
D787,281	S	*	5/2017	Bennett	.....	D7/692
D914,472	S	*	3/2021	Xie	.....	D7/692
D931,065	S	*	9/2021	Xie	.....	D7/692

\* cited by examiner

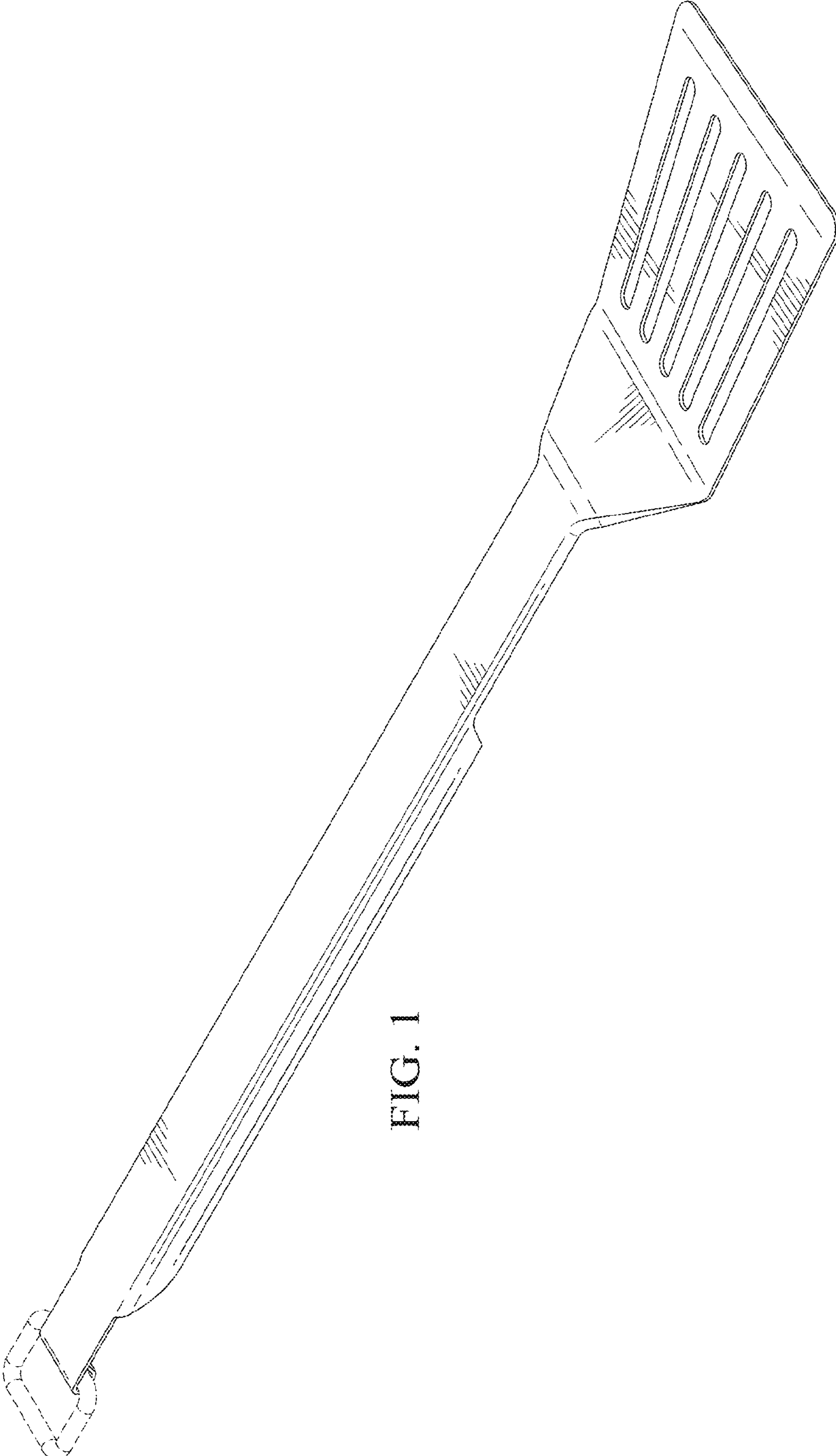


FIG. 1

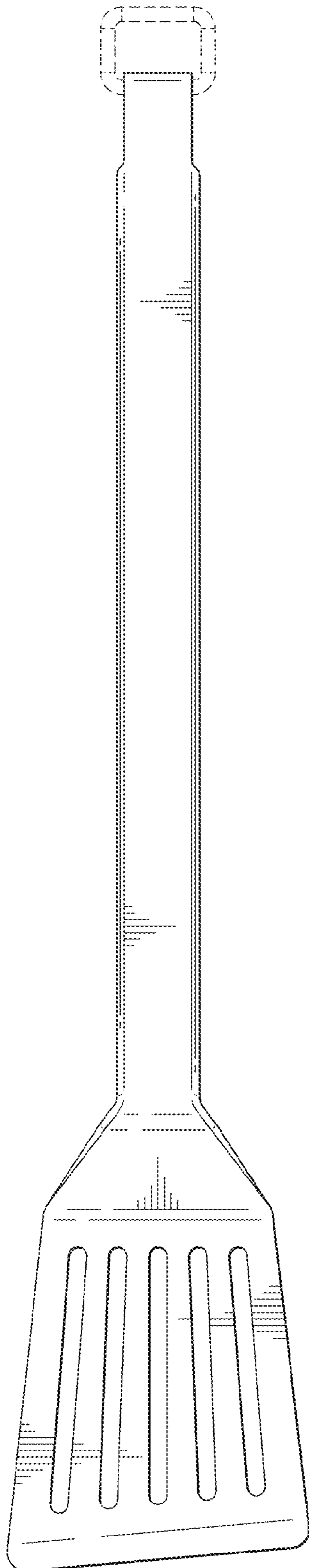


FIG. 2

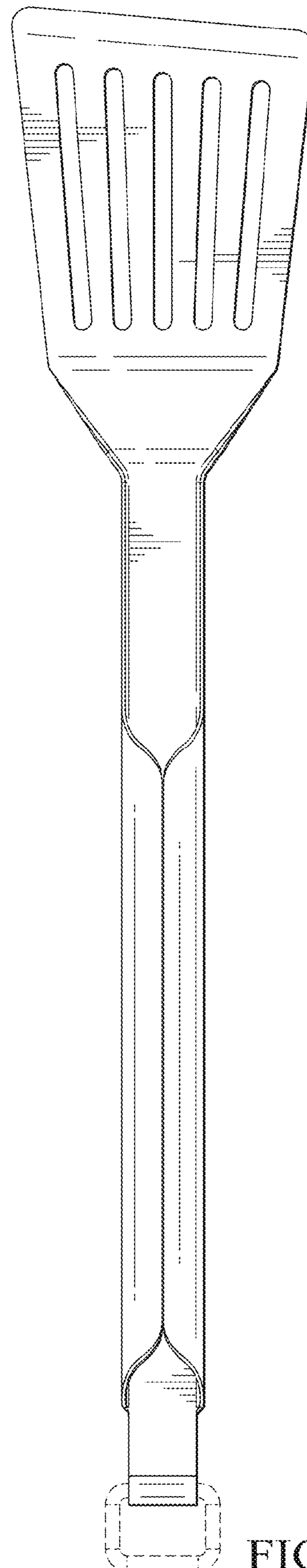


FIG. 3

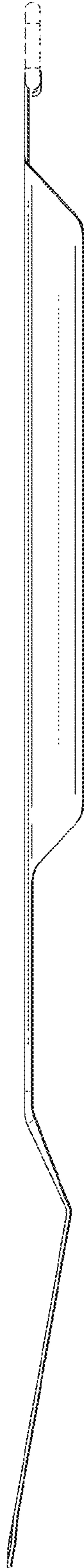


FIG. 4



FIG. 5

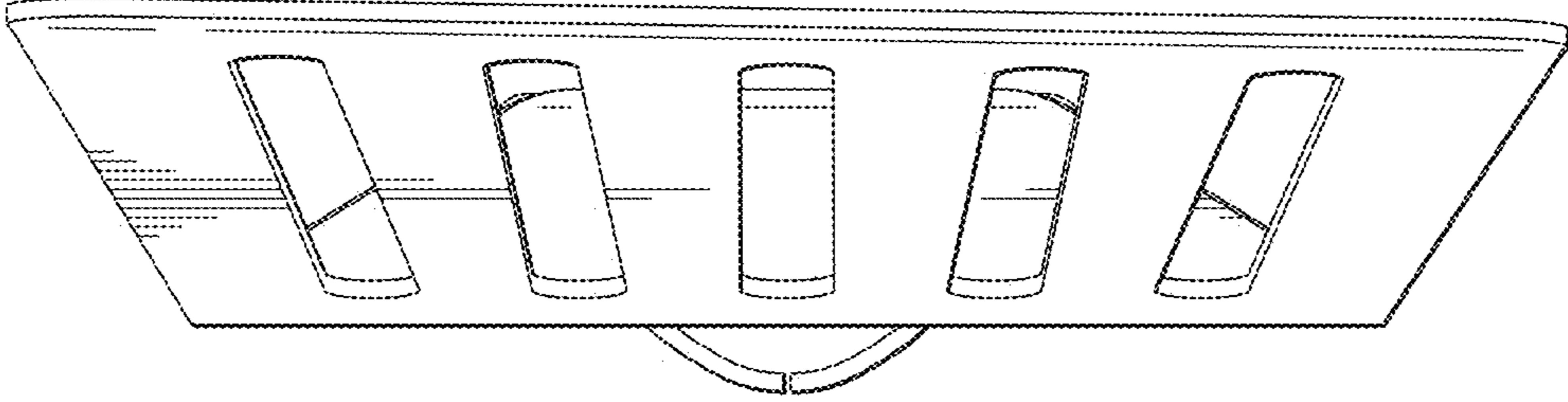


FIG. 6

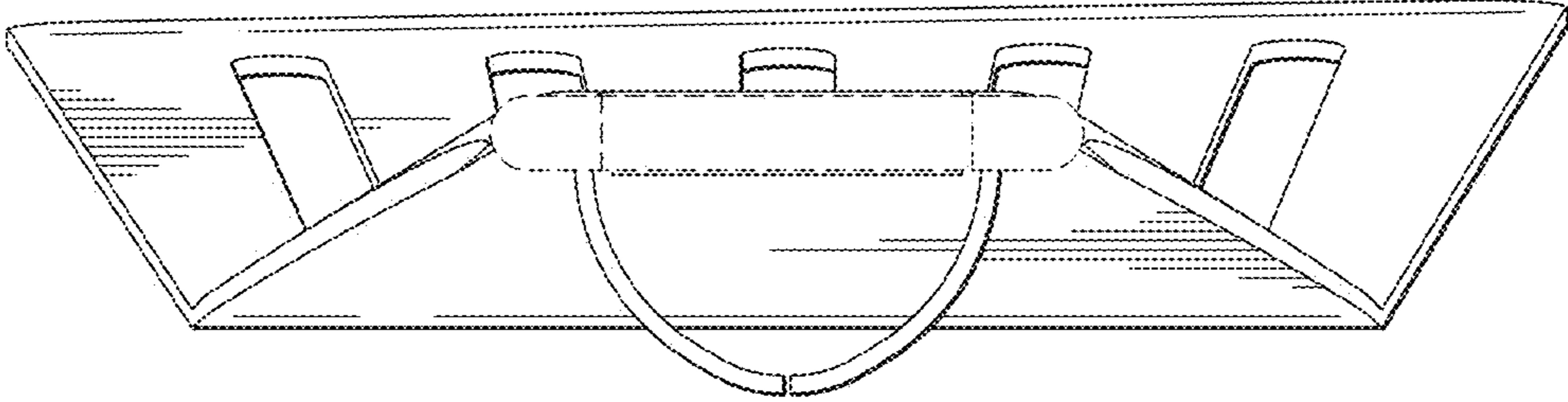


FIG. 7

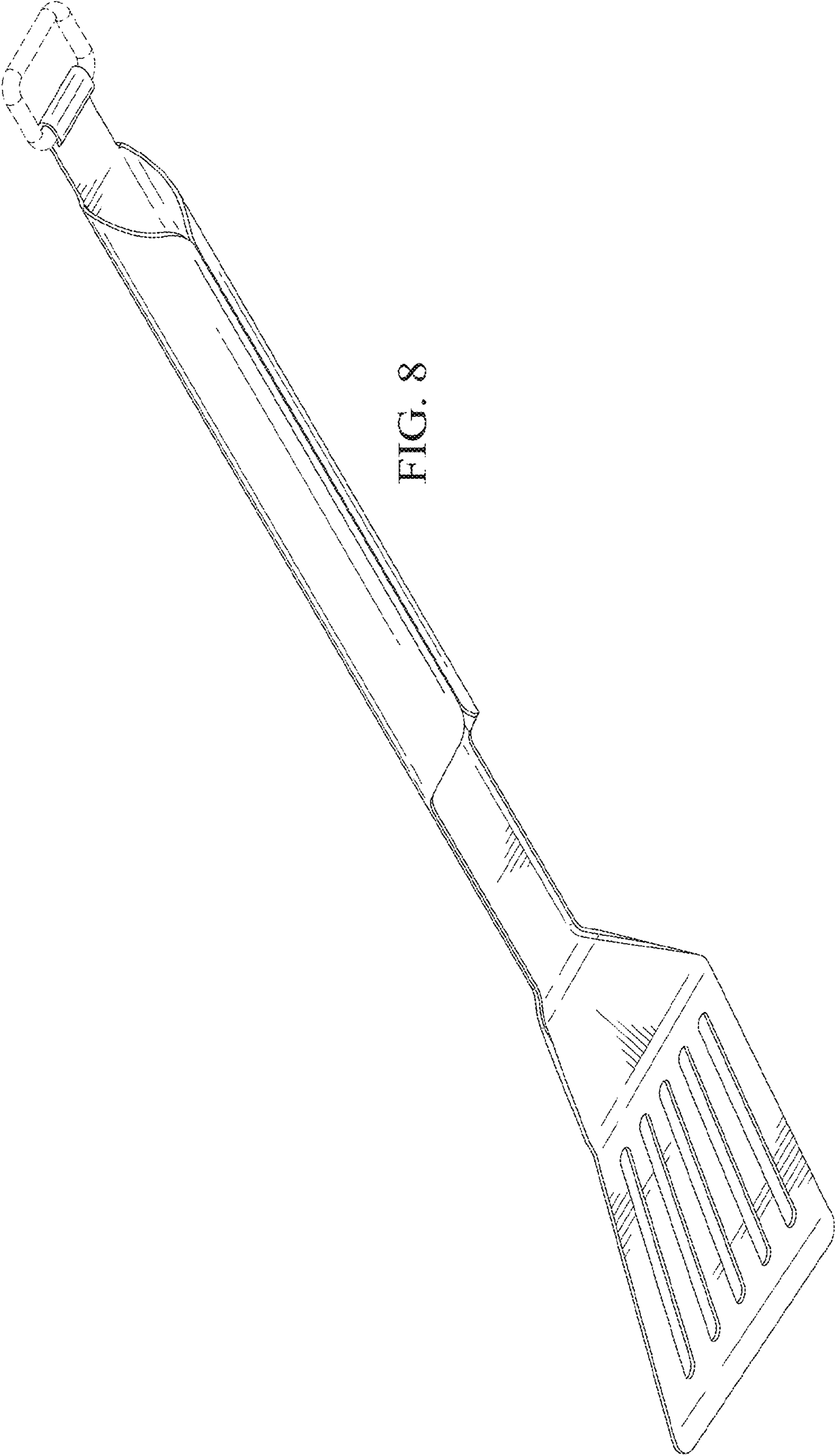


FIG. 8

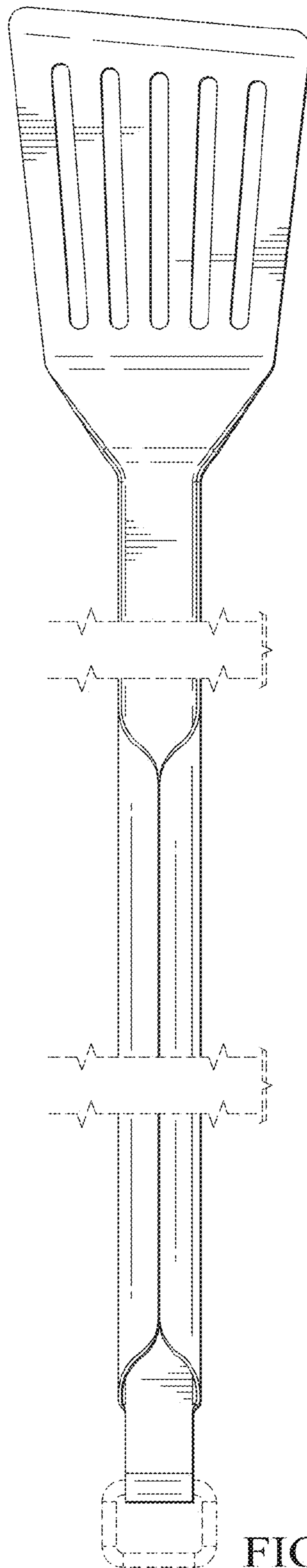


FIG. 9