



US00D957212S

(12) **United States Design Patent** (10) **Patent No.:** **US D957,212 S**
Cloutier (45) **Date of Patent:** **** Jul. 12, 2022**

- (54) **BBQ SKEWER**
- (71) Applicant: **Magellan Home-Goods, Ltd.**, Blaine, WA (US)
- (72) Inventor: **Andre Dean Cloutier**, Blaine, WA (US)
- (73) Assignee: **Magellan Home-Goods, Ltd.**, Blaine, WA (US)

D524,124 S	7/2006	Tashjian	
7,104,577 B1	9/2006	Berke	
D688,535 S	8/2013	Gentry et al.	
D694,075 S	11/2013	Zemel et al.	
D737,626 S	9/2015	Lu	
D813,619 S	3/2018	Cloutier	
D832,063 S *	10/2018	Chapman	D7/683
D834,975 S *	12/2018	Davis	D10/86
D876,181 S	2/2020	Cloutier	
D919,388 S *	5/2021	Hall	D8/14
2008/0220137 A1	9/2008	Wangler et al.	

- (**) Term: **15 Years**
- (21) Appl. No.: **29/767,943**
- (22) Filed: **Jan. 26, 2021**

Related U.S. Application Data

- (63) Continuation-in-part of application No. 15/851,420, filed on Dec. 21, 2017, now abandoned, which is a continuation-in-part of application No. 29/564,831, filed on May 16, 2016, now Pat. No. Des. 813,619.
- (51) **LOC (13) Cl.** **07-06**
- (52) **U.S. Cl.**
USPC **D7/683**
- (58) **Field of Classification Search**
USPC D7/368, 393, 395, 401.2, 412, 669, 683, D7/684; D8/14, 15, 303
CPC A22C 21/0038; A47J 43/18; A47J 43/283; A01K 81/04
See application file for complete search history.

(56) **References Cited**

U.S. PATENT DOCUMENTS

3,078,787 A	2/1963	Arseneault
D431,753 S	10/2000	Cohen et al.
6,286,418 B1	9/2001	Berke et al.
D455,606 S	4/2002	Lee
1,468,156 A1	1/2003	Yu
D503,071 S	3/2005	Lu
6,877,232 B2	4/2005	Harmon et al.

FOREIGN PATENT DOCUMENTS

CN 305676497 * 4/2020

* cited by examiner

Primary Examiner — S. Bryan Reinholdt, Jr.
(74) *Attorney, Agent, or Firm* — Schacht Law Office, Inc.; Dwayne Rogge

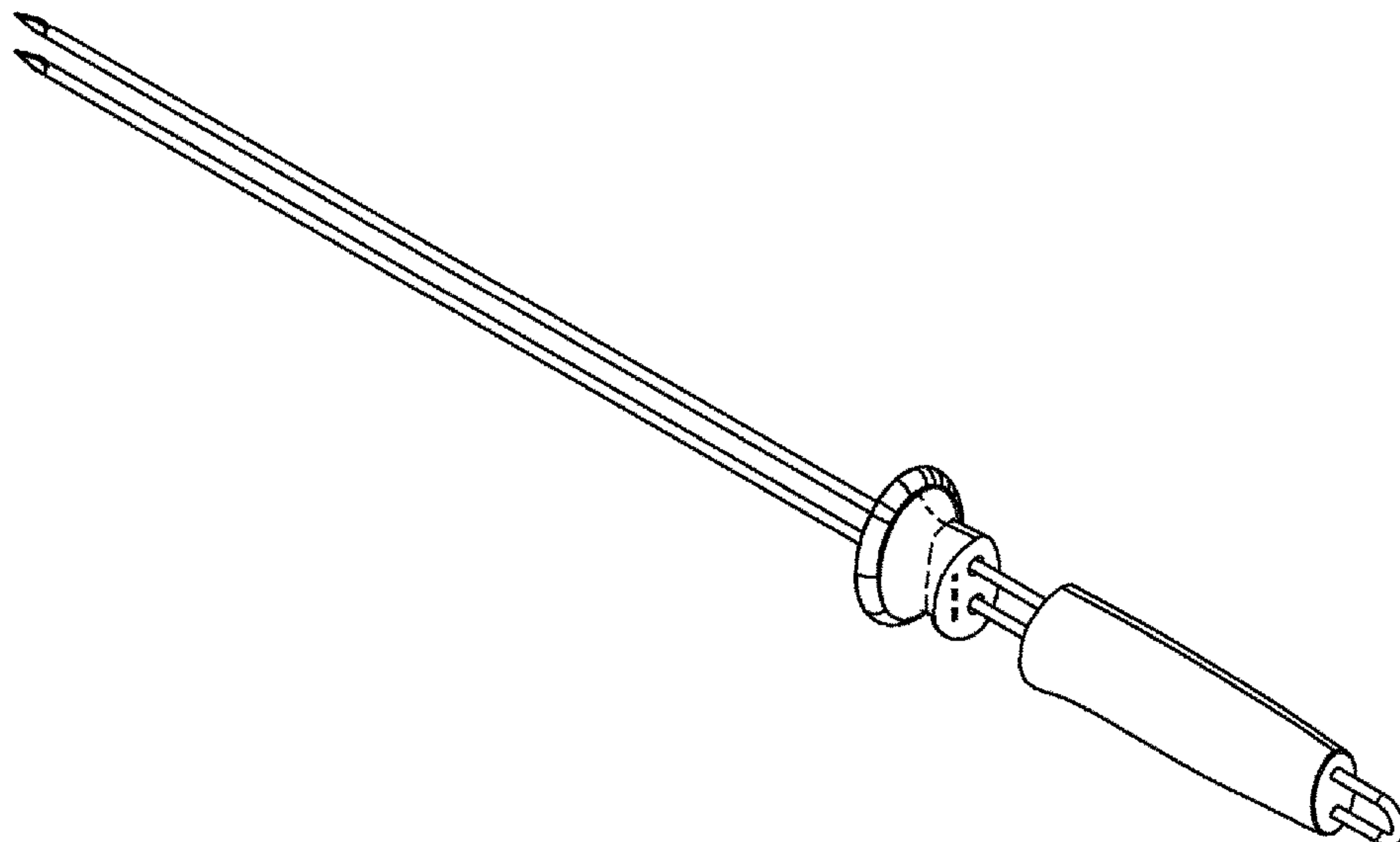
(57) **CLAIM**

The ornamental design for a BBQ skewer, as shown and described.

DESCRIPTION

FIG. 1 is a bottom view of the BBQ skewer showing my new design.
 FIG. 2 is a top view thereof.
 FIG. 3 is a first side view thereof.
 FIG. 4 is a second side view thereof.
 FIG. 5 is an isometric view thereof.
 FIG. 6 is a front view thereof.
 FIG. 7 is a rear view thereof; and,
 FIG. 8 is an end view of one example of the pusher component with skewer arms and points removed to show one configuration of a recess therein.
 Broken lines shown in FIGS. 1, 2, 3, 4, and 5 illustrate portions of the BBQ skewer with pushing component that form no part of the claimed design.

1 Claim, 2 Drawing Sheets



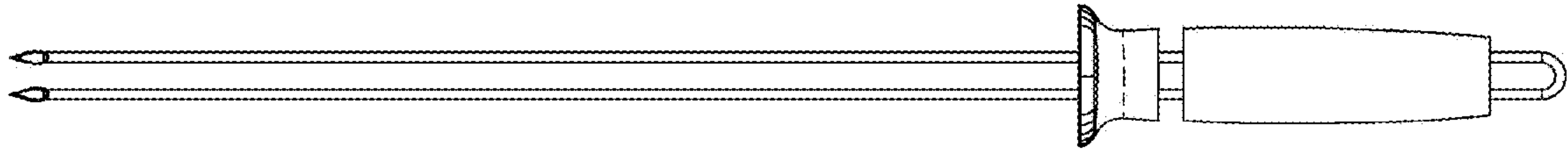


FIG. 1

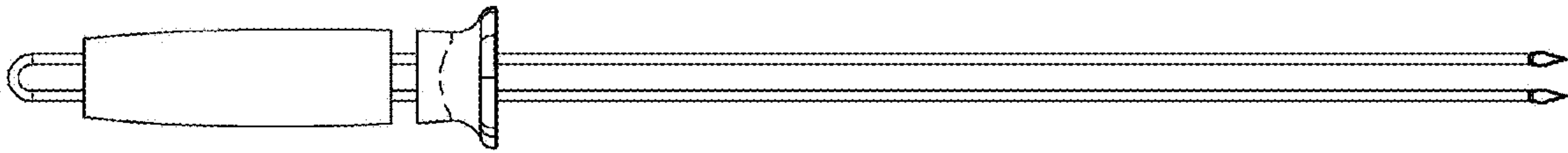


FIG. 2



FIG. 3

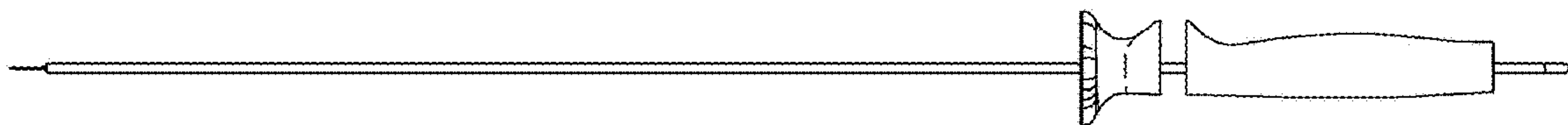


FIG. 4

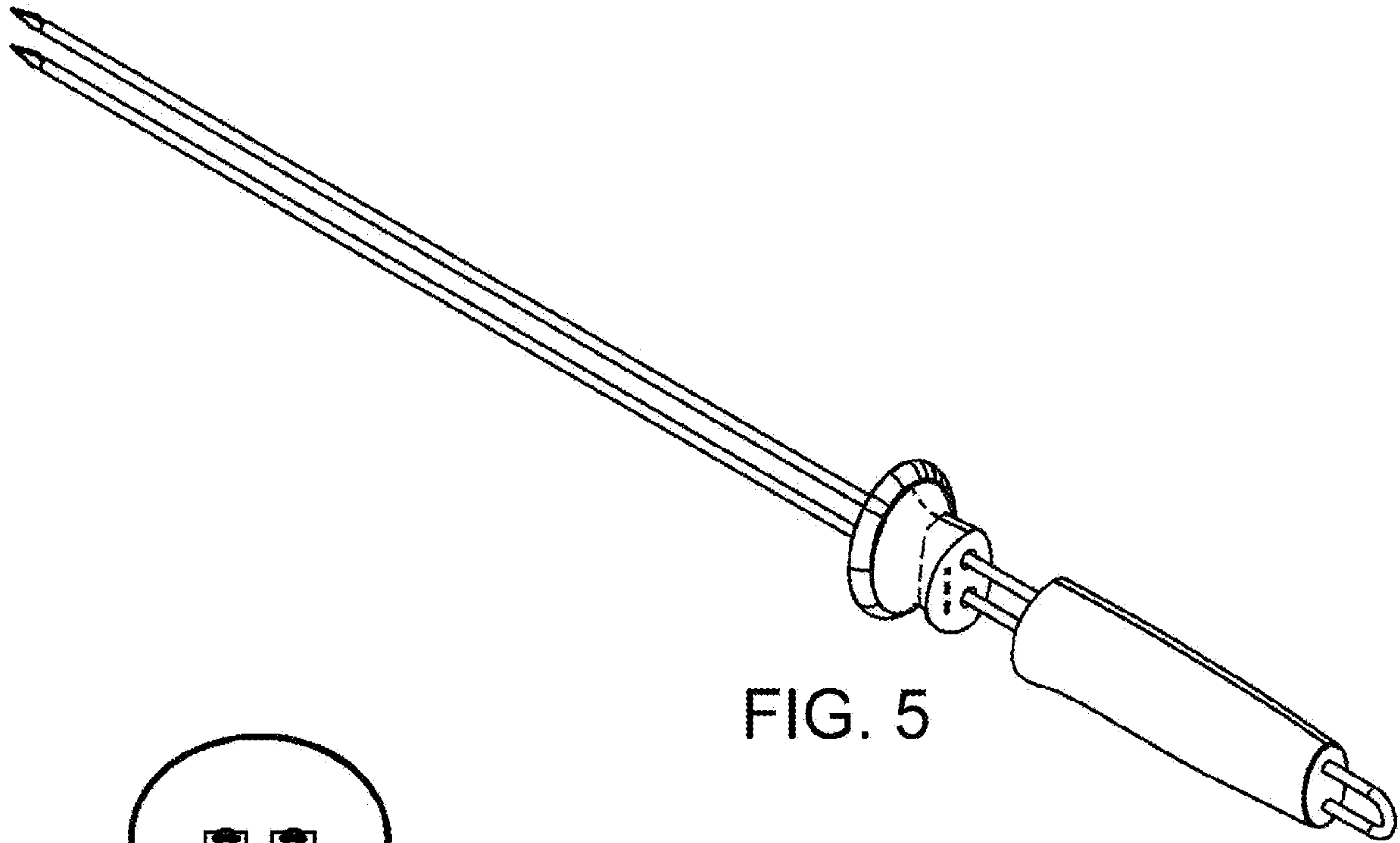


FIG. 5

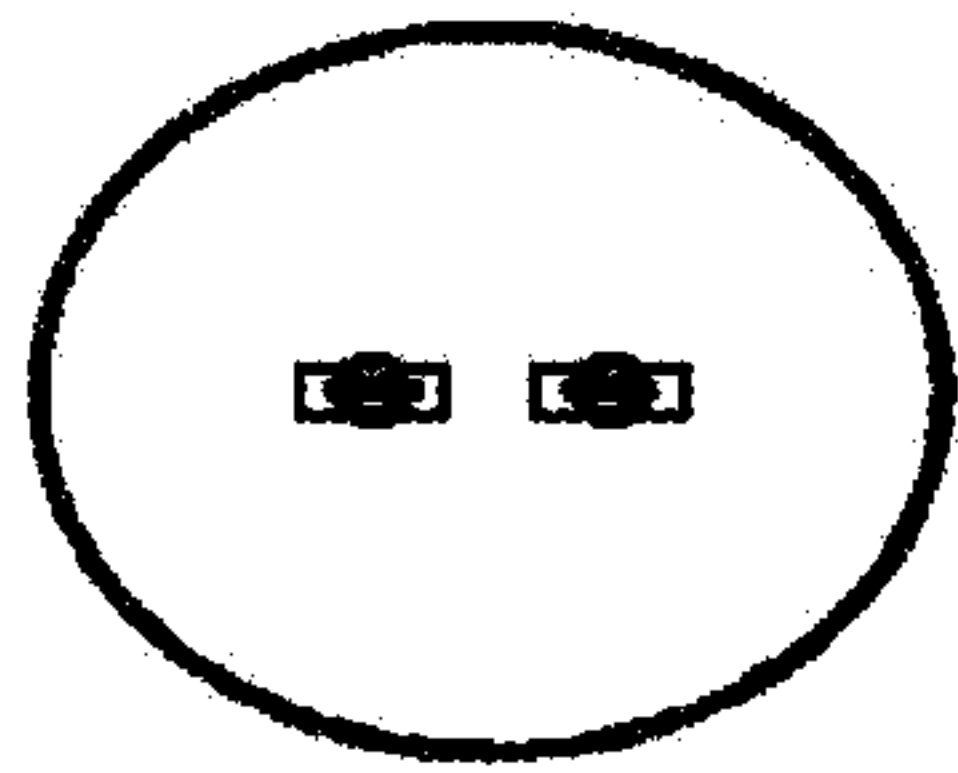


FIG. 6

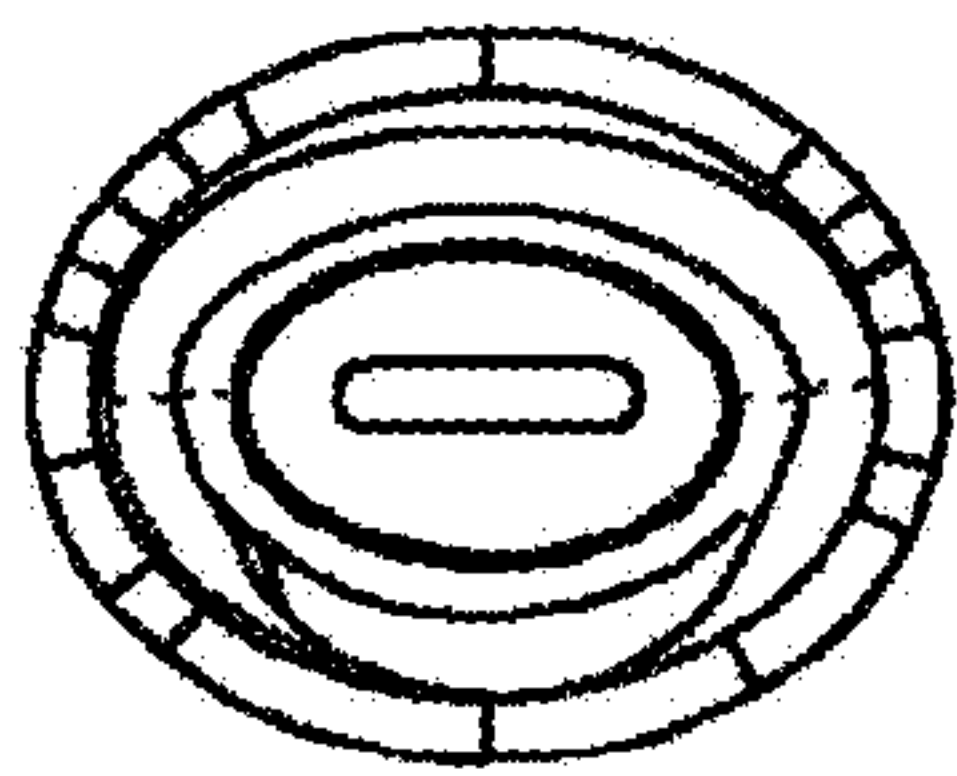


FIG. 7

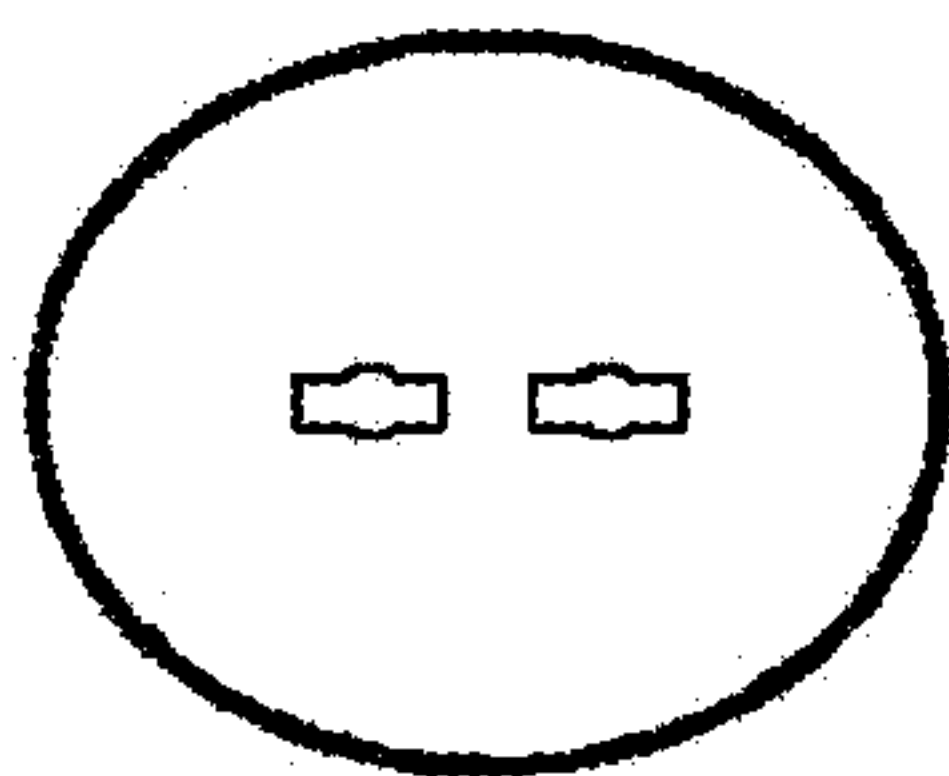


FIG. 8