



US00D957208S

(12) **United States Design Patent**  
**Bagley**

(10) **Patent No.:** **US D957,208 S**  
(45) **Date of Patent:** **\*\* Jul. 12, 2022**

- (54) **SIFTING SPOON**
- (71) Applicant: **Progressive International Corporation, Kent, WA (US)**
- (72) Inventor: **Justin Bagley, Kent, WA (US)**
- (73) Assignee: **Progressive International Corporation, Kent, WA (US)**
- (\*\*) Term: **15 Years**
- (21) Appl. No.: **29/761,238**
- (22) Filed: **Dec. 8, 2020**
- (51) **LOC (13) Cl.** ..... **07-04**
- (52) **U.S. Cl.**  
USPC ..... **D7/667**
- (58) **Field of Classification Search**  
USPC ..... D7/399, 400, 507, 510, 511, 608, 665,  
D7/666, 667, 669, 674, 686, 692  
CPC ..... A21B 3/13; A21B 3/132; A21B 3/133;  
A21B 3/134; A21B 3/137; A21C 9/081;  
A47J 19/06; A47J 31/005; A47J 31/20;  
A47J 31/0636; A47J 31/02; A47J  
31/0615; A47J 31/18; A47J 43/22  
See application file for complete search history.

- D328,867 S \* 8/1992 Watt ..... D10/46.2
- D367,406 S \* 2/1996 Ancona ..... D7/691
- 5,678,450 A \* 10/1997 Robbins ..... G01F 19/002  
73/426
- D403,256 S \* 12/1998 Weterrings ..... D10/46.3
- D439,799 S \* 4/2001 Kwok ..... D7/400
- D447,016 S \* 8/2001 Landstrom ..... D7/668
- D468,596 S \* 1/2003 Bluemond ..... A47J 43/281  
D7/667
- 7,077,054 B1 \* 7/2006 Hurlock ..... A47G 19/16  
210/465
- D620,325 S \* 7/2010 D'Andrea ..... D7/667
- D649,415 S \* 11/2011 Williams ..... A47G 19/16  
D7/667
- D728,320 S \* 5/2015 Davila ..... D7/647
- D750,448 S \* 3/2016 Pallotto ..... A47G 19/16  
D7/666
- 9,863,799 B2 \* 1/2018 Bagley ..... G01F 19/002
- D818,313 S \* 5/2018 Joseph ..... A47G 19/16  
D7/400

(Continued)

*Primary Examiner* — Joseph Kukella  
*Assistant Examiner* — Darryl J Dardenne  
(74) *Attorney, Agent, or Firm* — Lowe Graham Jones  
PLLC

(57) **CLAIM**

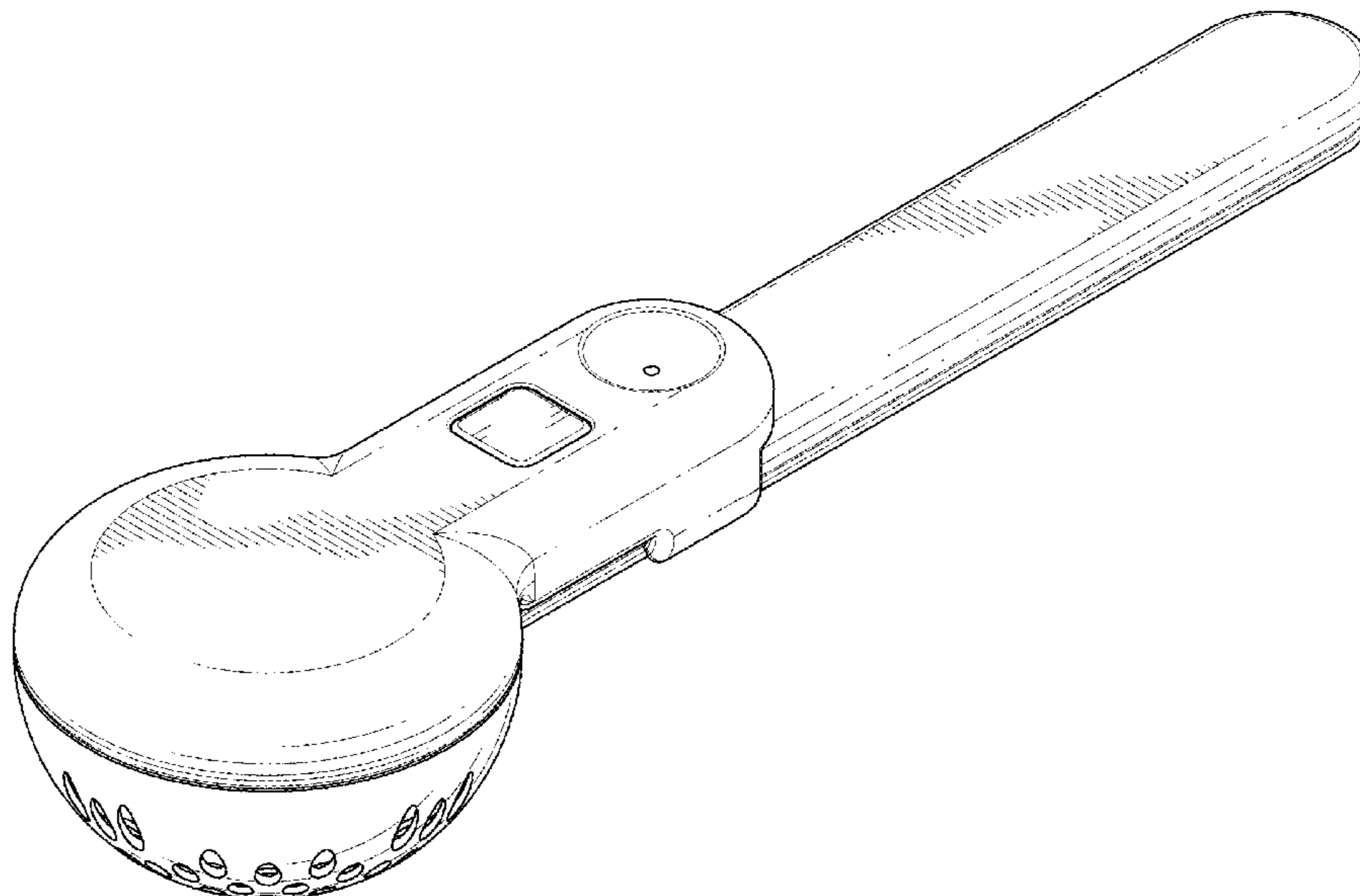
I claim the ornamental design for a sifting spoon, as shown.

**DESCRIPTION**

FIG. 1 is a top perspective view of a sifting spoon, showing my new design.  
FIG. 2 is a front elevational view of the sifting spoon.  
FIG. 3 is a rear elevational view of the sifting spoon.  
FIG. 4 is a left side elevational view of the sifting spoon.  
FIG. 5 is a right side elevational view of the sifting spoon.  
FIG. 6 is a top plan view of the sifting spoon; and,  
FIG. 7 is a bottom plan view of the sifting spoon.

**1 Claim, 7 Drawing Sheets**

- (56) **References Cited**  
U.S. PATENT DOCUMENTS
- 1,648,906 A \* 11/1927 Lubrano ..... A47G 19/16  
30/325
- 2,570,521 A \* 10/1951 Chester ..... G01F 19/002  
99/323
- 2,796,992 A \* 6/1957 Perrin ..... A47J 43/284  
245/8
- 3,354,812 A \* 11/1967 Gorton, Jr. .... A47G 19/16  
99/323
- 3,822,020 A \* 7/1974 Hong ..... A47J 43/281  
248/167
- D299,303 S \* 1/1989 Strobel ..... D7/667



(56)

**References Cited**

U.S. PATENT DOCUMENTS

D833,834 S \* 11/2018 Matsumoto ..... D7/667  
D854,883 S \* 7/2019 Josefsson ..... G01F 19/002  
D7/400  
D909,823 S \* 2/2021 Lacotta ..... D7/401.2

\* cited by examiner

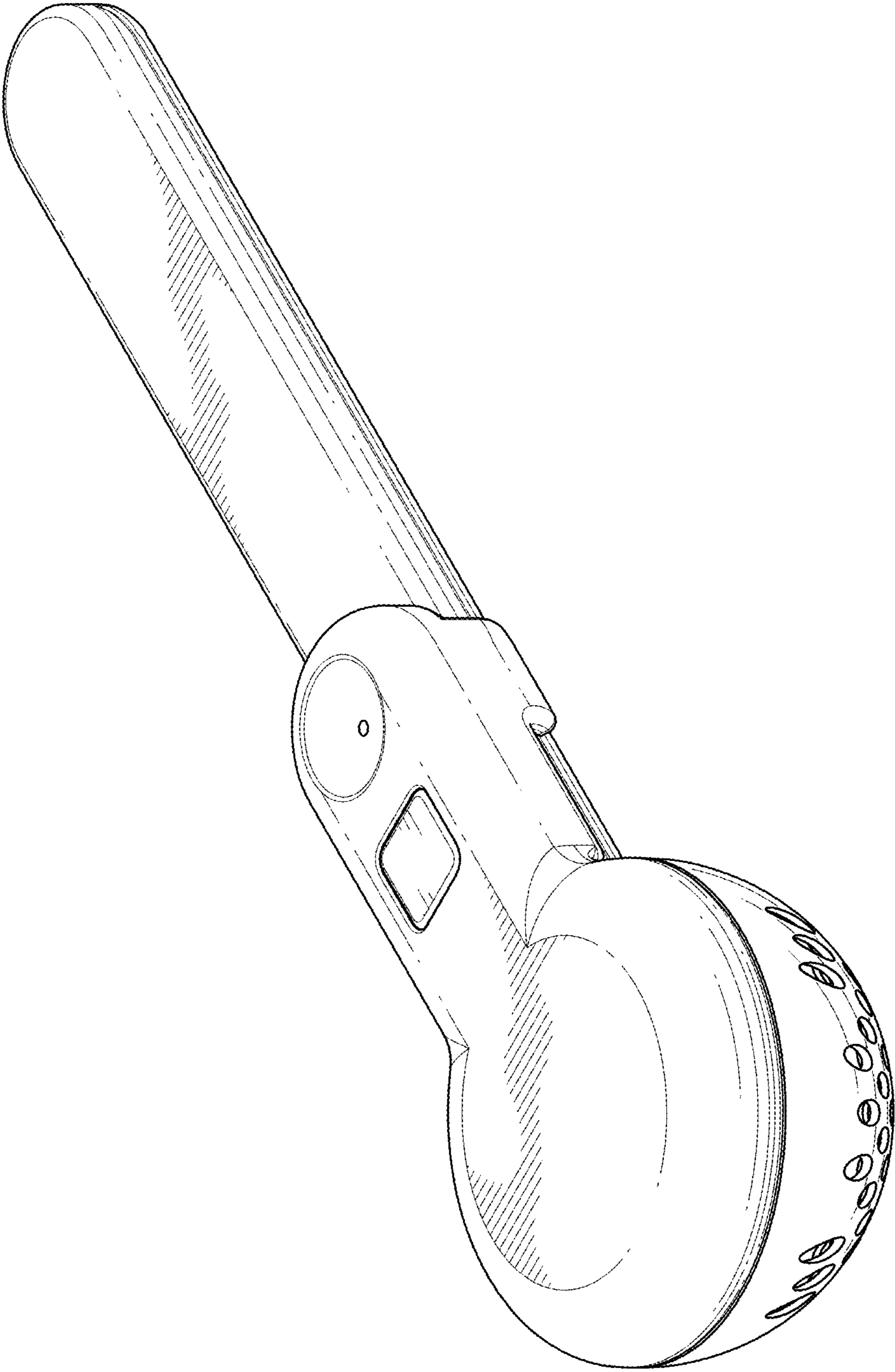


FIG.1

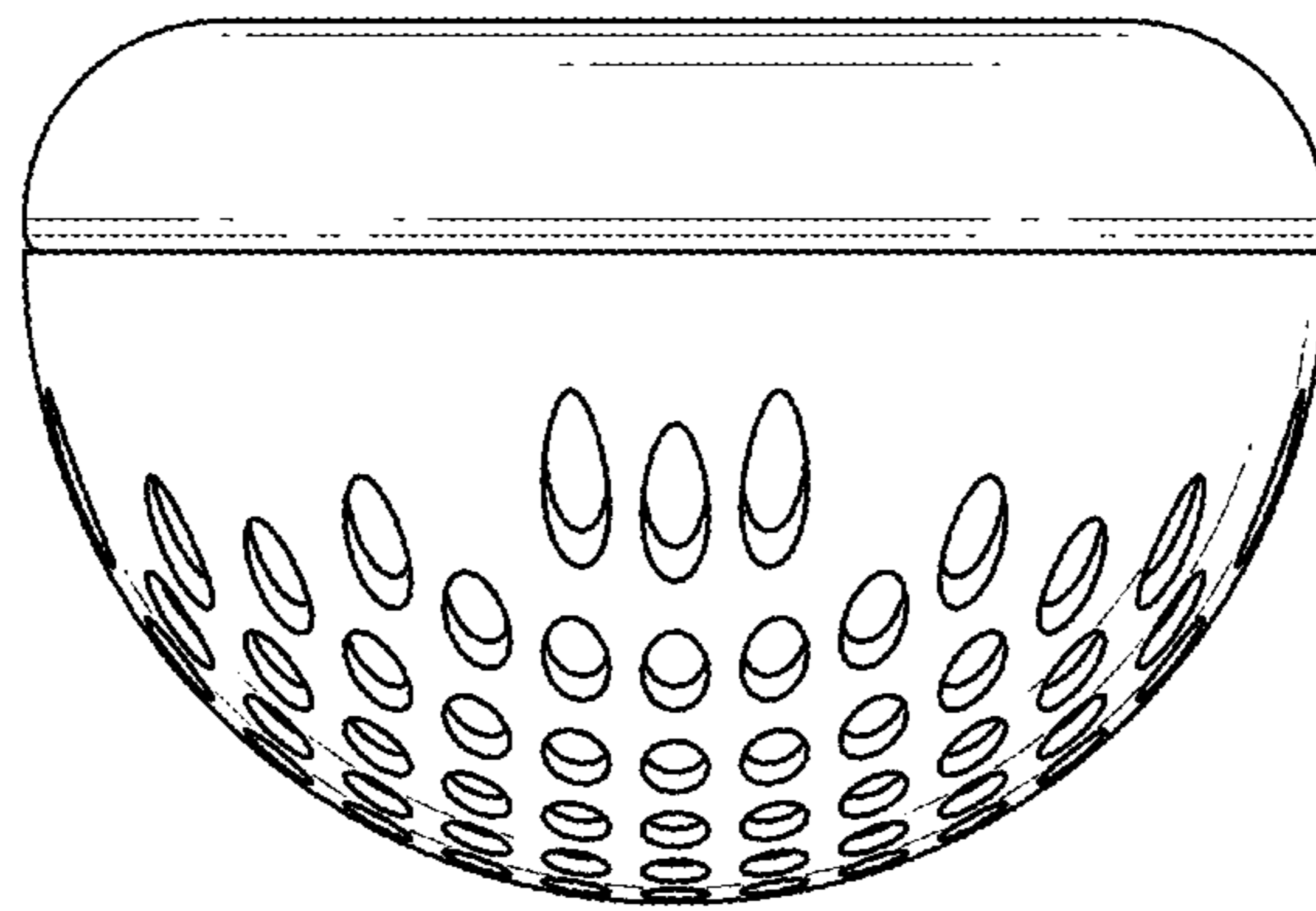


FIG. 2

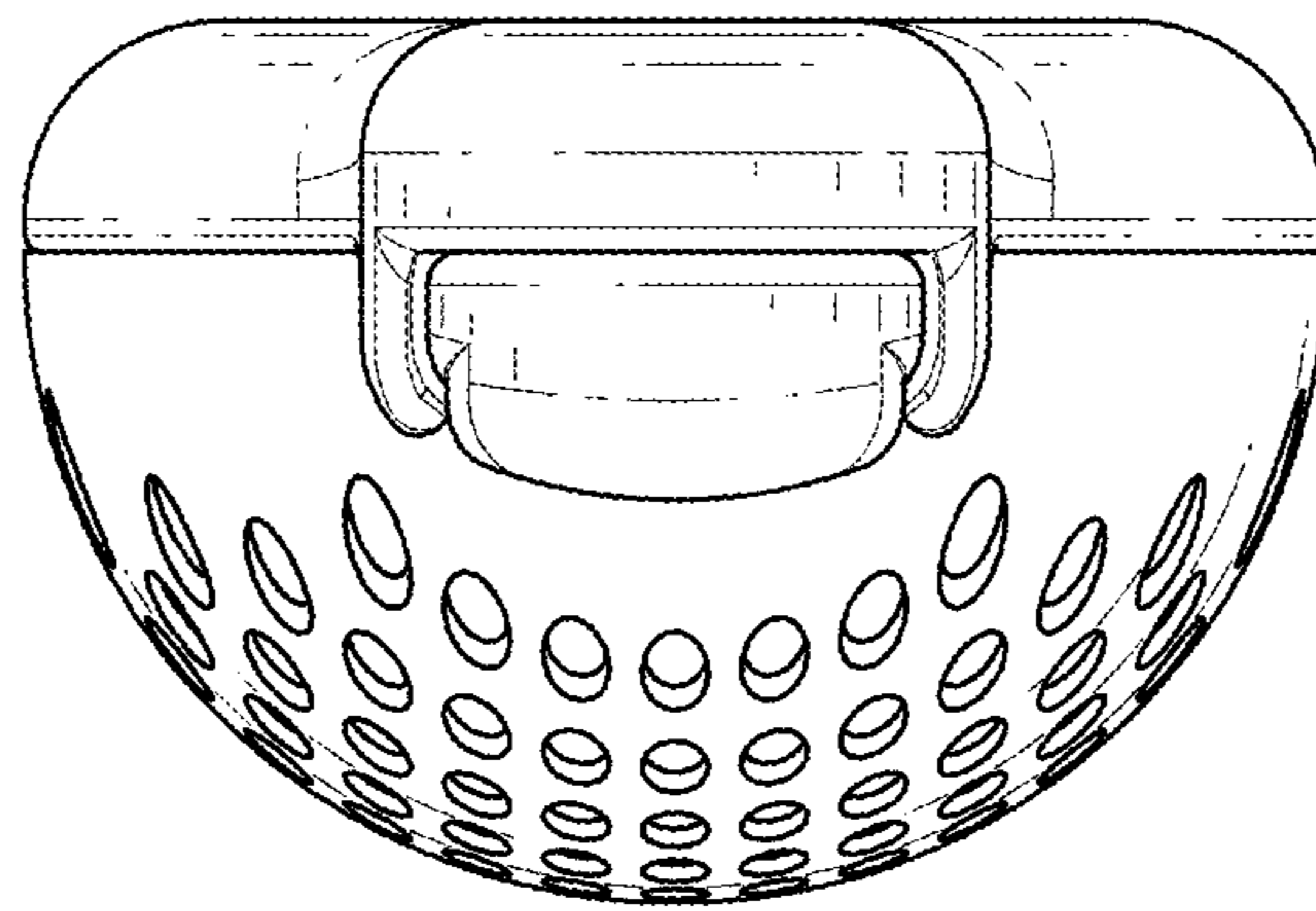


FIG. 3

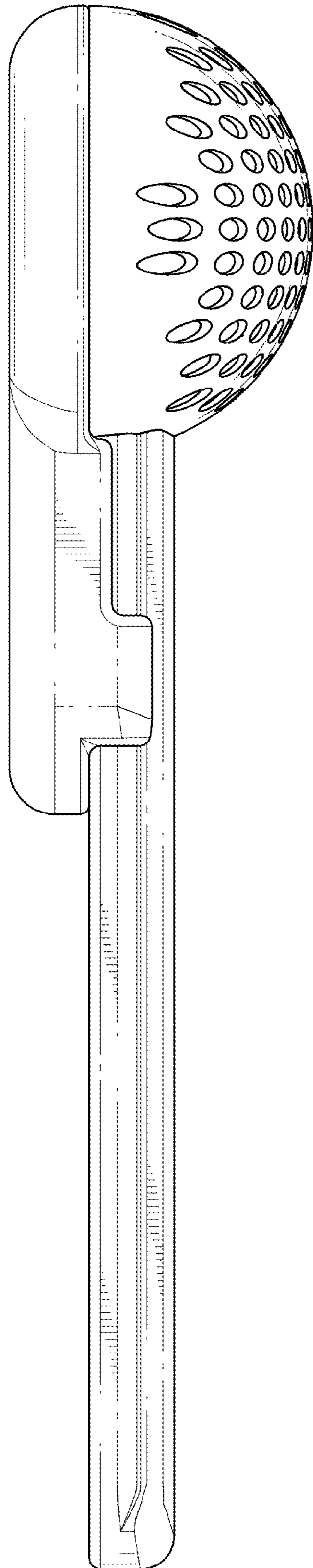


FIG.4

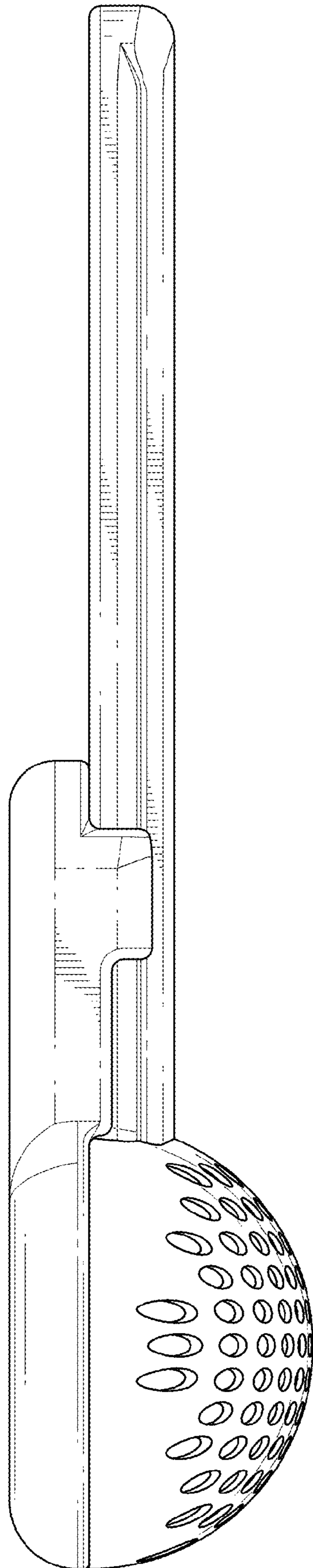


FIG. 5

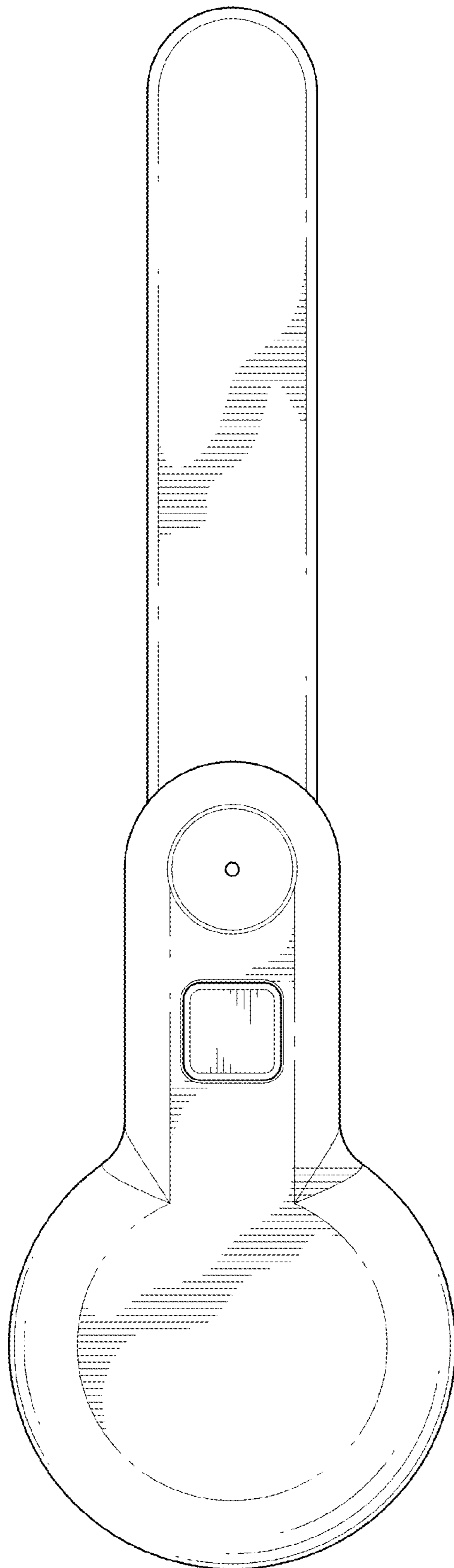


FIG.6



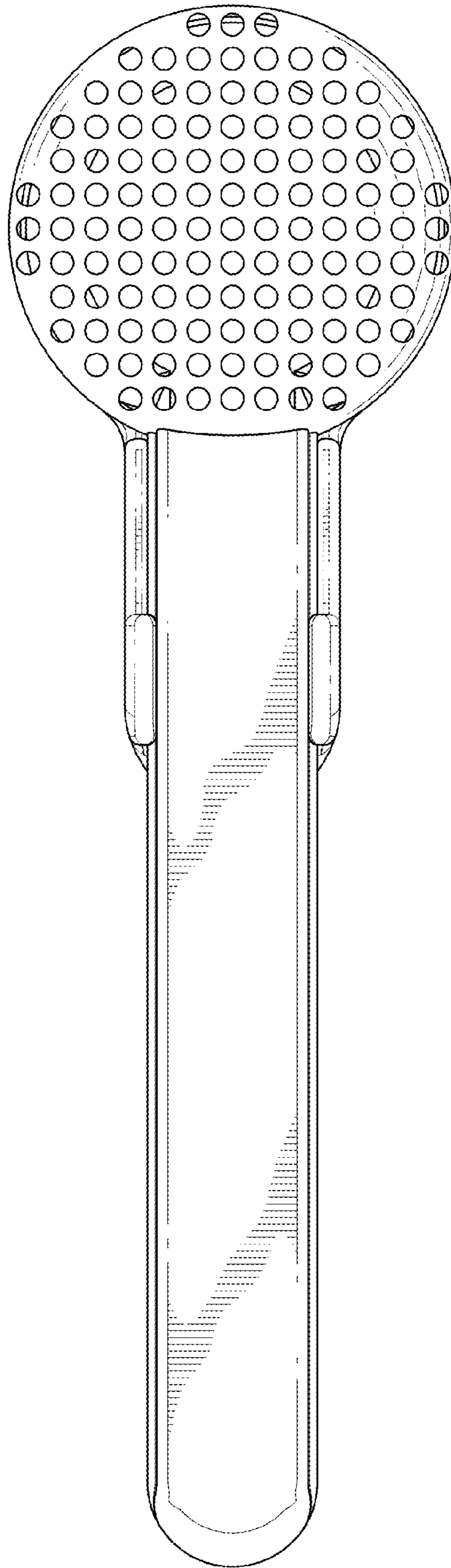


FIG. 7