



US00D957205S

(12) **United States Design Patent** (10) **Patent No.:** **US D957,205 S**
Seagren et al. (45) **Date of Patent:** **** Jul. 12, 2022**

(54) **DIPPER SPOON**

(71) Applicant: **MAPA GMBH**, Portage, MI (US)

(72) Inventors: **Kelly Elizabeth Seagren**, Kalamazoo, MI (US); **Melissa Sue Jacobson**, Kalamazoo, MI (US); **Austin Peter Laniosz**, Willowbrook, IL (US); **Kevin Bayonnet**, Uniontown, OH (US); **Lea Marie Stewart**, Kalamazoo, MI (US); **Alfredo David Carreno**, Portage, MI (US)

(73) Assignee: **MAPA GMBH**

(**) Term: **15 Years**

(21) Appl. No.: **29/752,289**

(22) Filed: **Sep. 25, 2020**

(51) **LOC (13) Cl.** **07-03**

(52) **U.S. Cl.**
USPC **D7/653**; D7/401.2

(58) **Field of Classification Search**
USPC D7/368, 393, 395, 401.2, 642-645, D7/653-664, 669, 675-677, 683, D7/688-689, 691; D8/107, 300-301; D21/525; D22/117-118; D24/133, 198, D24/223

CPC ... A01D 9/02; A01D 9/04; A01D 9/06; A47G 21/00; A47G 21/004; A47G 21/005; A47G 21/02; A47G 21/023; A47G 21/04; A47G 21/06; A47G 21/08; A47G 21/181; A47J 43/28; A47J 43/281; A47J 43/282; A61F 13/10; A61J 7/0023; A61J 17/113; A63B 21/0085; B25G 1/00; B25G 1/01; B25G 1/02; B25G 3/00; B65D 75/56; B65D 75/563; B65D 75/566; B67B 7/00; B67B 7/724; B67B 7/73

See application file for complete search history.

(56) **References Cited**

U.S. PATENT DOCUMENTS

D349,770 S * 8/1994 Jarnagin D24/198
D491,420 S * 6/2004 Shibata D7/653

D496,833 S * 10/2004 Lantz D7/653
D695,361 S * 12/2013 Roehrig D21/525
D790,929 S * 7/2017 Perez D7/653
D799,280 S * 10/2017 Shalev D7/653
D838,368 S * 1/2019 Rifani D24/133
D869,679 S * 12/2019 Yang D24/223

(Continued)

OTHER PUBLICATIONS

NUK Pretensil Dipper Spoon. Reviewed in the United States on Feb. 1, 2021 on Amazon.com. <https://www.amazon.com/NUK-Pretensil-Dipper-Spoon-Months/dp/B08SNXGS1J/ref> (Year: 2021).*

Primary Examiner — Ricky Pham

(74) *Attorney, Agent, or Firm* — Eversheds Sutherland (US) LLP

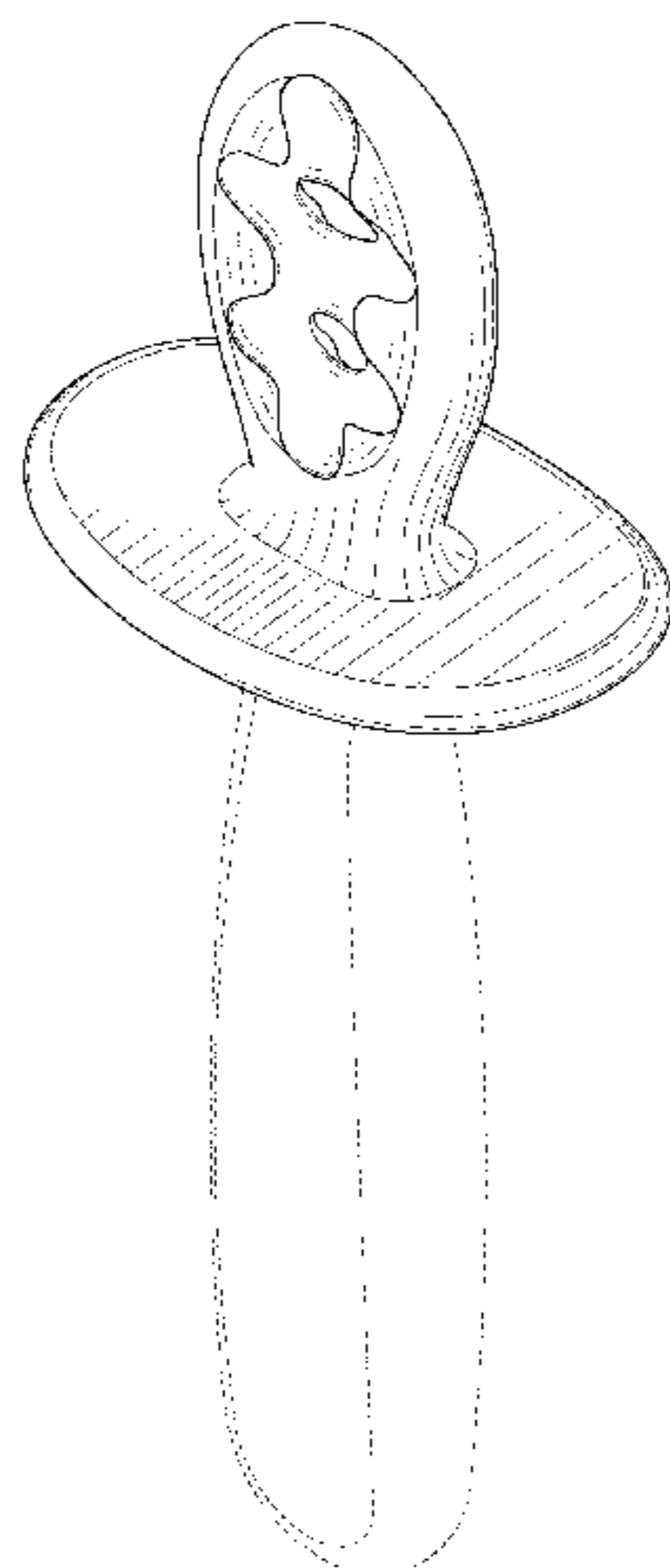
(57) **CLAIM**

The ornamental design for a dipper spoon, as shown and described.

DESCRIPTION

FIG. 1 is a perspective view of a dipper spoon according to a first embodiment;
FIG. 2 is a cross-sectional view taken through line 8-8 of FIG. 2.
FIG. 3 is a rear elevation view thereof;
FIG. 4 is a left-side elevation view thereof;
FIG. 5 is a right-side elevation view thereof;
FIG. 6 is a top plan view thereof;
FIG. 7 is a bottom plan view thereof; and,
FIG. 8 is a cross-sectional view thereof.
The broken lines shown on the drawings depict portions of the dipper spoon that form no part of the claimed design. The dash-dot-dash lines define the bounds of the claimed design and form no part thereof.

1 Claim, 6 Drawing Sheets



(56)

References Cited

U.S. PATENT DOCUMENTS

D913,755 S *	3/2021	You	D7/654
D917,240 S *	4/2021	Seagren	D7/653
D922,835 S *	6/2021	Cao	D7/653
2009/0005810 A1 *	1/2009	Bonazza	A61J 17/113
			606/235
2010/0222706 A1 *	9/2010	Miyahara	A63B 21/0085
			600/590

* cited by examiner

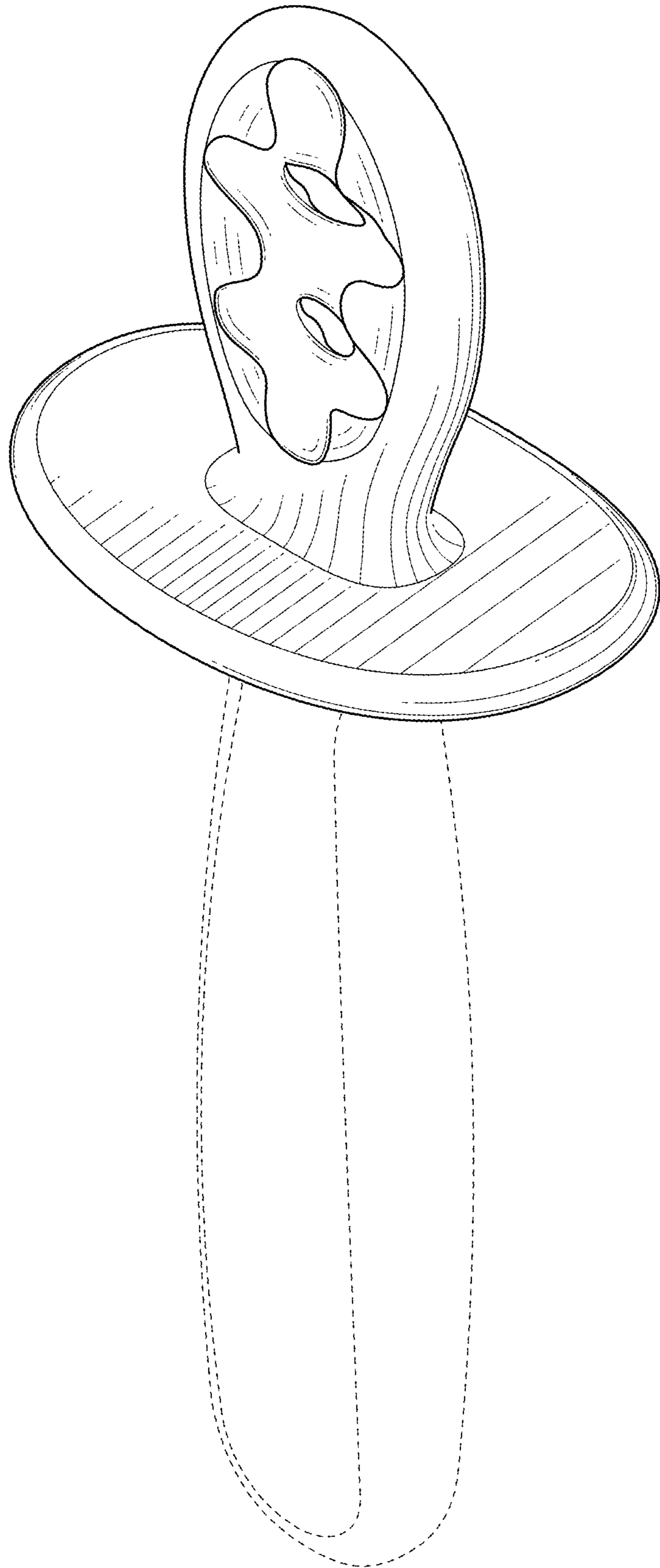


FIG. 1

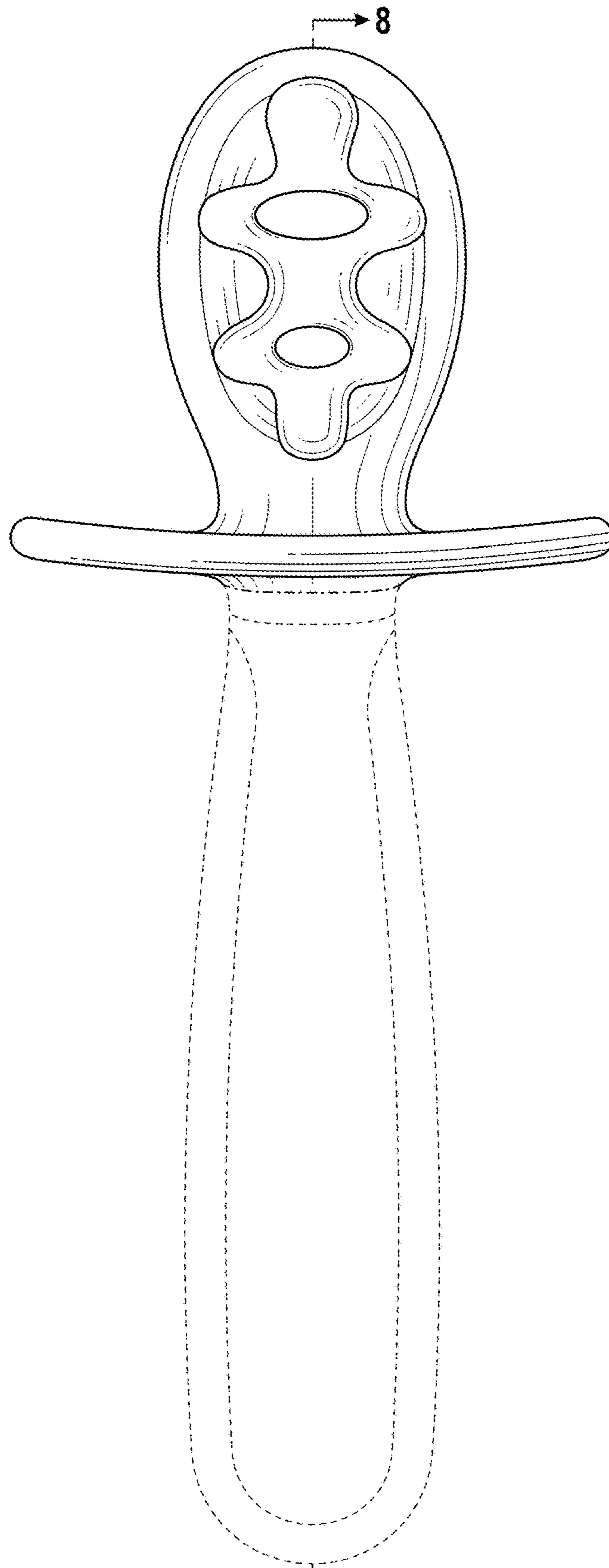


FIG. 2

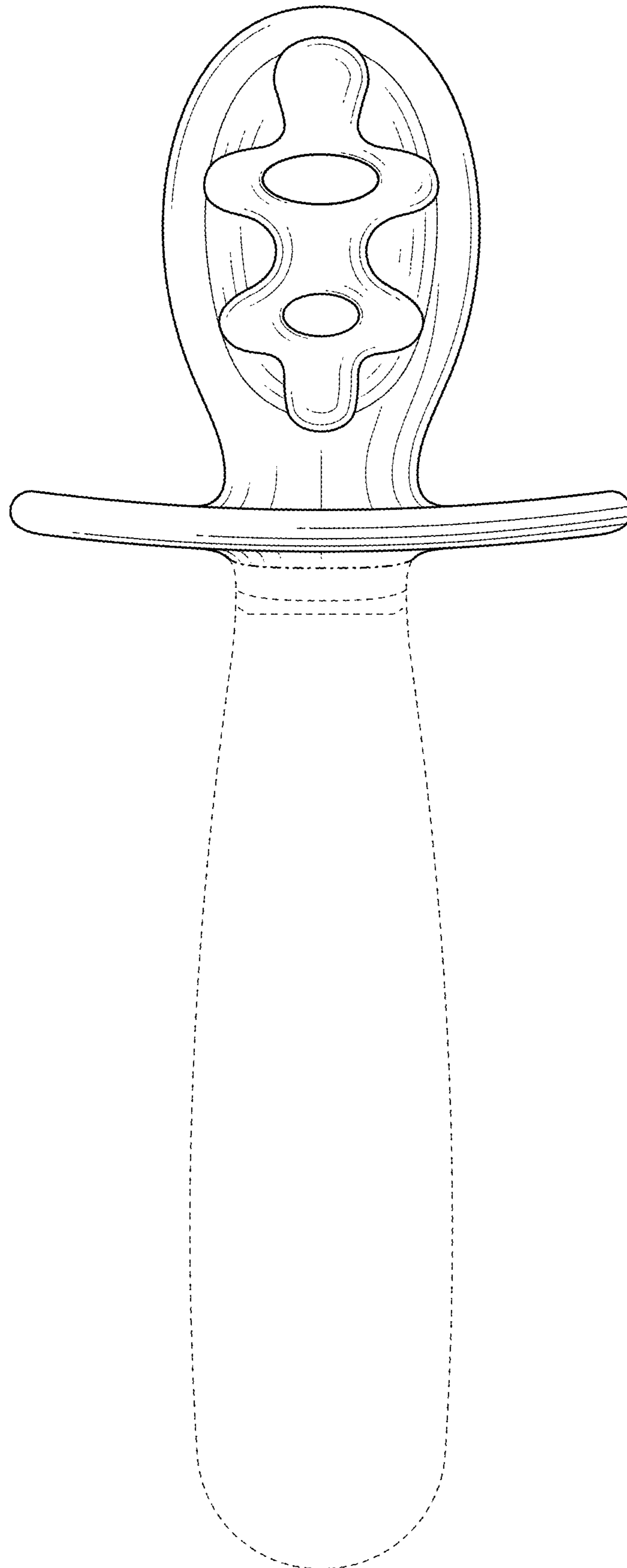


FIG. 3

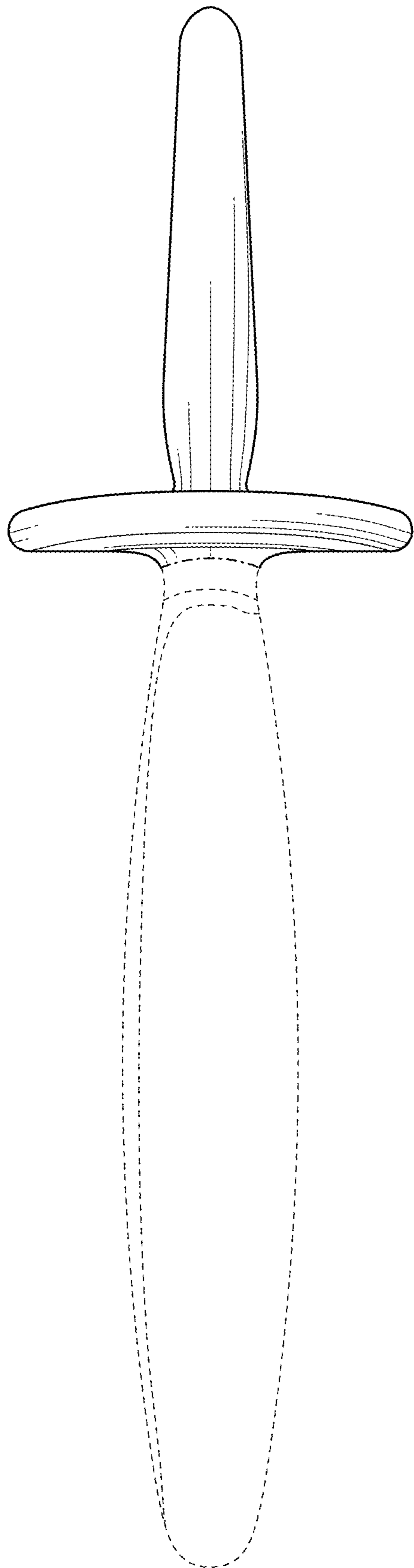


FIG. 4

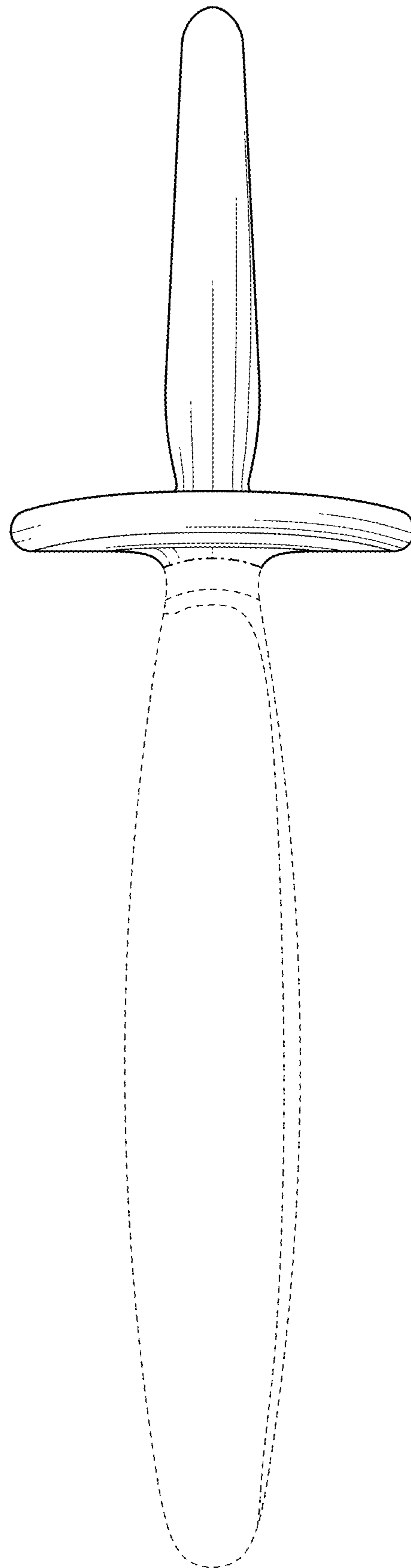


FIG. 5

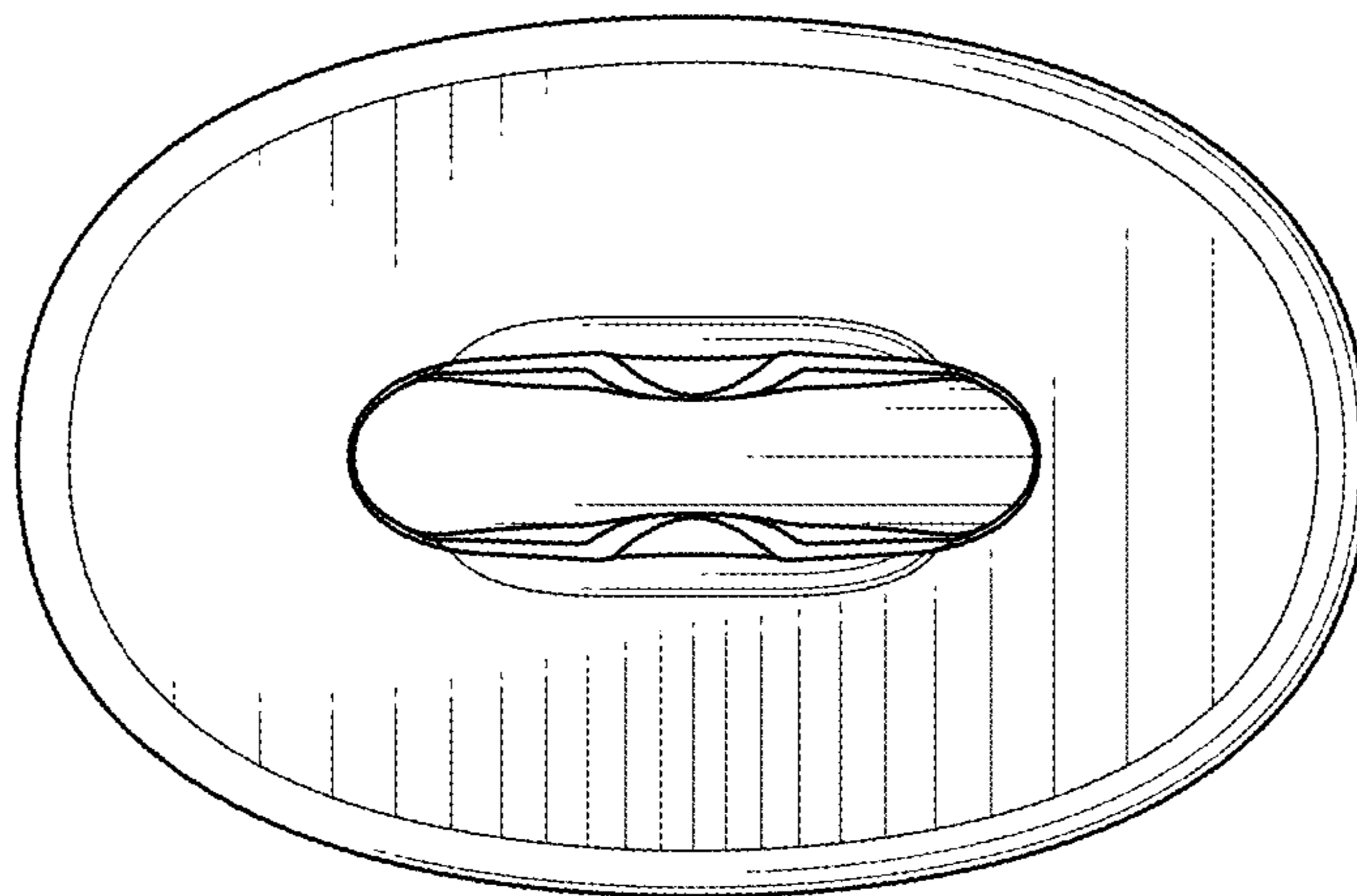


FIG. 6

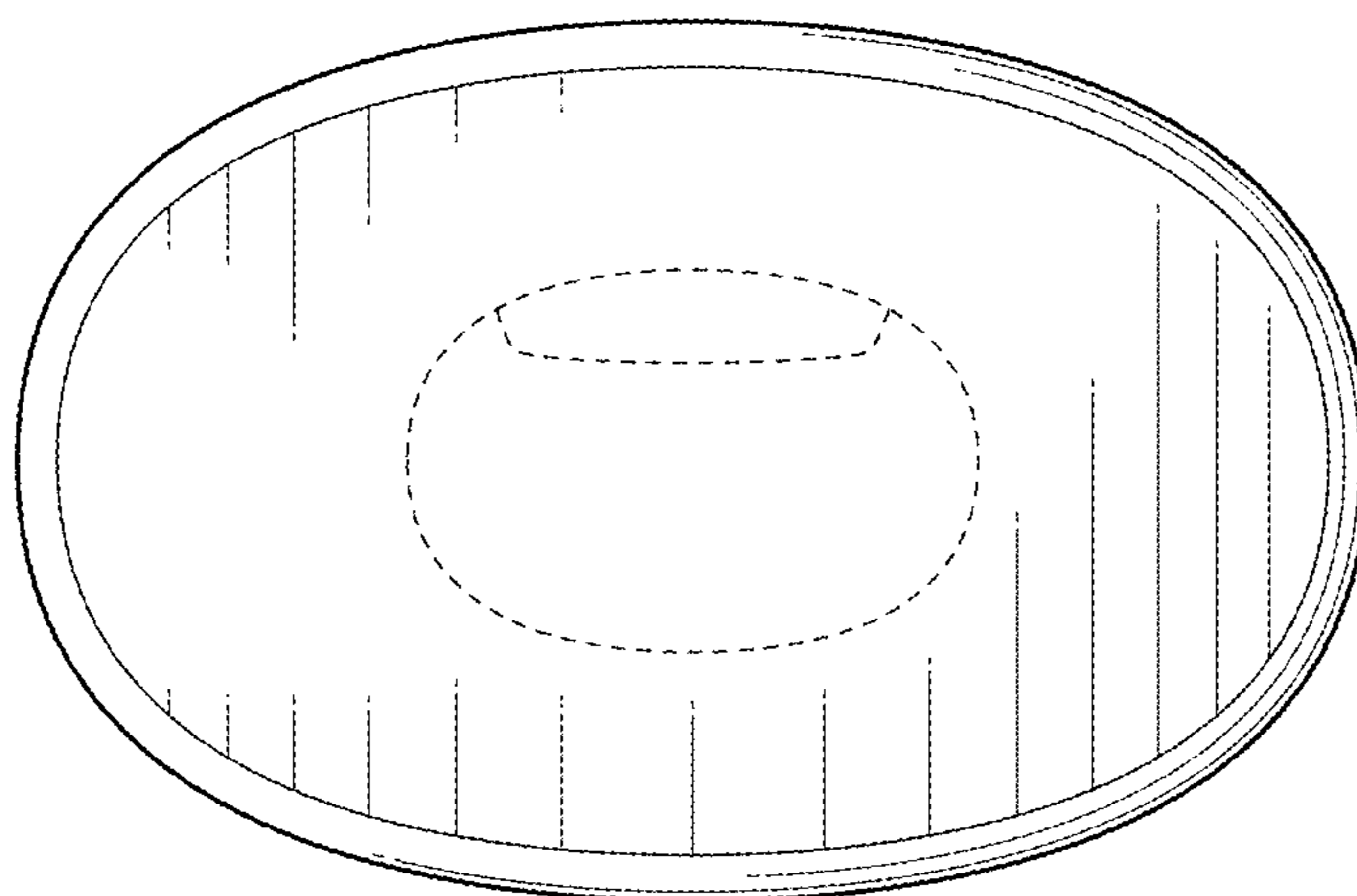


FIG. 7

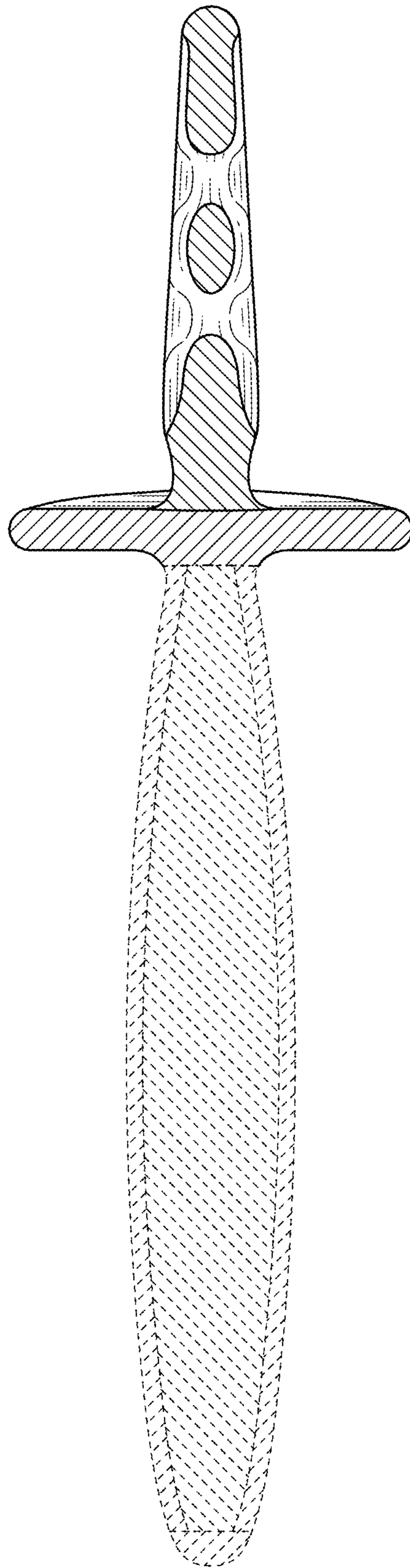


FIG. 8