



US00D957204S

(12) **United States Design Patent**
Workman et al.

(10) **Patent No.:** **US D957,204 S**
(45) **Date of Patent:** **** Jul. 12, 2022**

- (54) **CHEF KNIFE**
- (71) Applicant: **Barebones Systems, LLC**, Salt Lake City, UT (US)
- (72) Inventors: **Robert Emmett Workman**, Morgan, UT (US); **David Jared Burton**, Payson, UT (US)
- (73) Assignee: **BAREBONES SYSTEMS, LLC**, Salt Lake City, UT (US)
- (**) Term: **15 Years**
- (21) Appl. No.: **29/736,333**
- (22) Filed: **May 29, 2020**
- (51) **LOC (13) Cl.** **07-03**
- (52) **U.S. Cl.**
USPC **D7/649**; D7/401.2
- (58) **Field of Classification Search**
USPC D7/393-395, 401.2, 642-652, 693, D7/695-696; D8/93, 97-100, 107, 300, D8/321; D22/117-118
CPC A01B 1/20; A01B 1/22; A22C 25/006; A47G 21/06; A47G 21/065; A61B 17/3211; A61B 17/3213; B21D 53/64; B25G 3/36; B26B 1/00; B26B 1/08; B26B 1/10; B26B 3/00; B26B 3/02; B26B 3/03; B26B 3/04; B26B 3/06; B26B 5/00; B26B 5/001; B26B 5/007; B26B 7/00; B26B 7/005; B26B 9/00; B26B 9/02; B26B 11/00; B26B 11/006; B26B 17/00; B26B 17/006; B26B 27/00; B26B 29/02
See application file for complete search history.

D267,622 S *	1/1983	Russell	D7/649
D448,253 S *	9/2001	Staib, Jr.	D7/649
D554,949 S *	11/2007	Hood	D7/650
D593,373 S *	6/2009	Epstein	D7/649
D749,916 S *	2/2016	Lessmann	D7/649
D925,301 S *	7/2021	Liang	D7/649
D941,097 S *	1/2022	Brunner	D7/649
D943,360 S *	2/2022	Brunner	D7/649
D944,061 S *	2/2022	Liu	D7/649

OTHER PUBLICATIONS

TOMBRO Boning Knife for Meat Cutting. Date First Available on Amazon.com Jul. 3, 2021. <https://www.amazon.com/dp/B098LGXP2R/ref> (Year: 2021).*

* cited by examiner

Primary Examiner — Ricky Pham
(74) *Attorney, Agent, or Firm* — Morriss O'Bryant
Compagni Cannon, PLLC

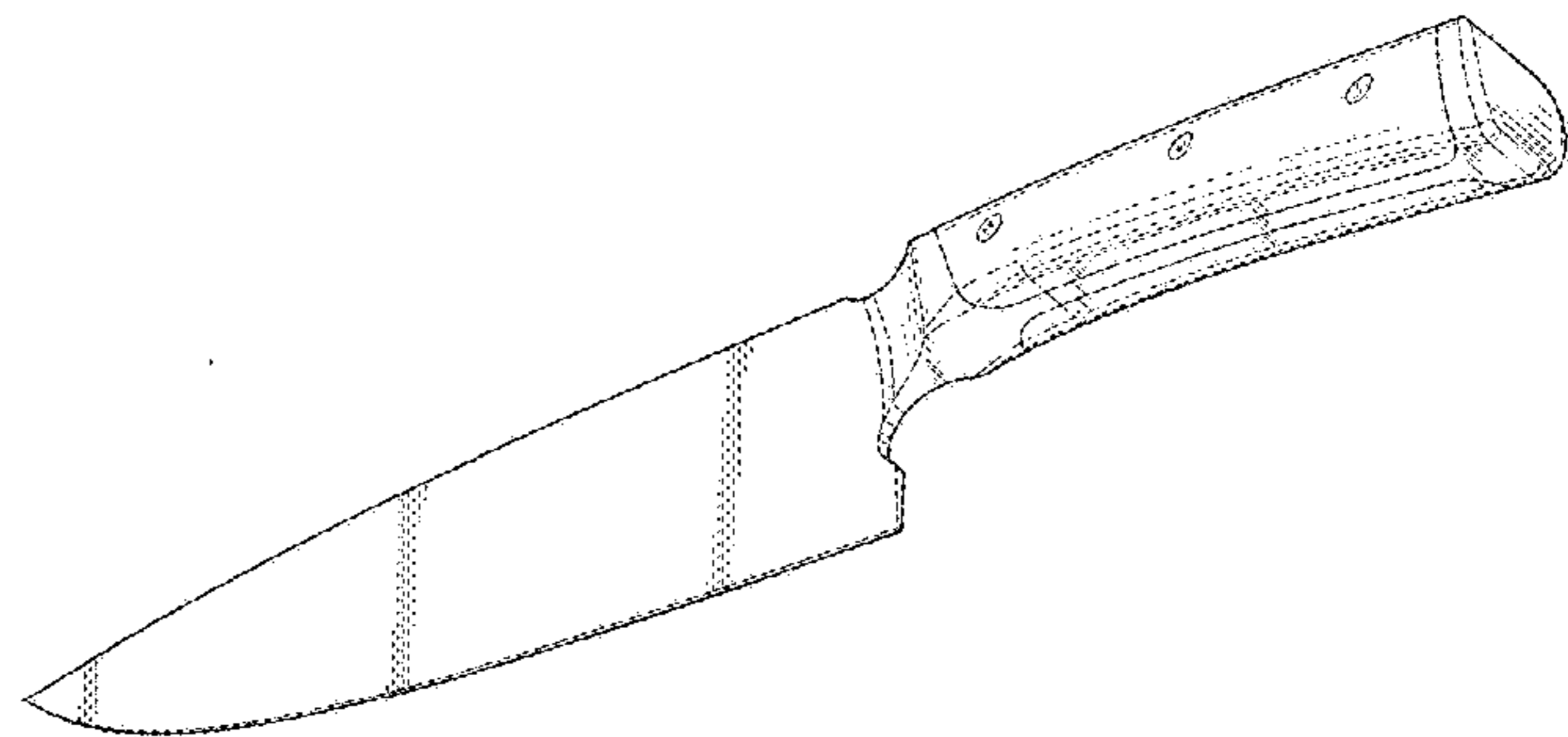
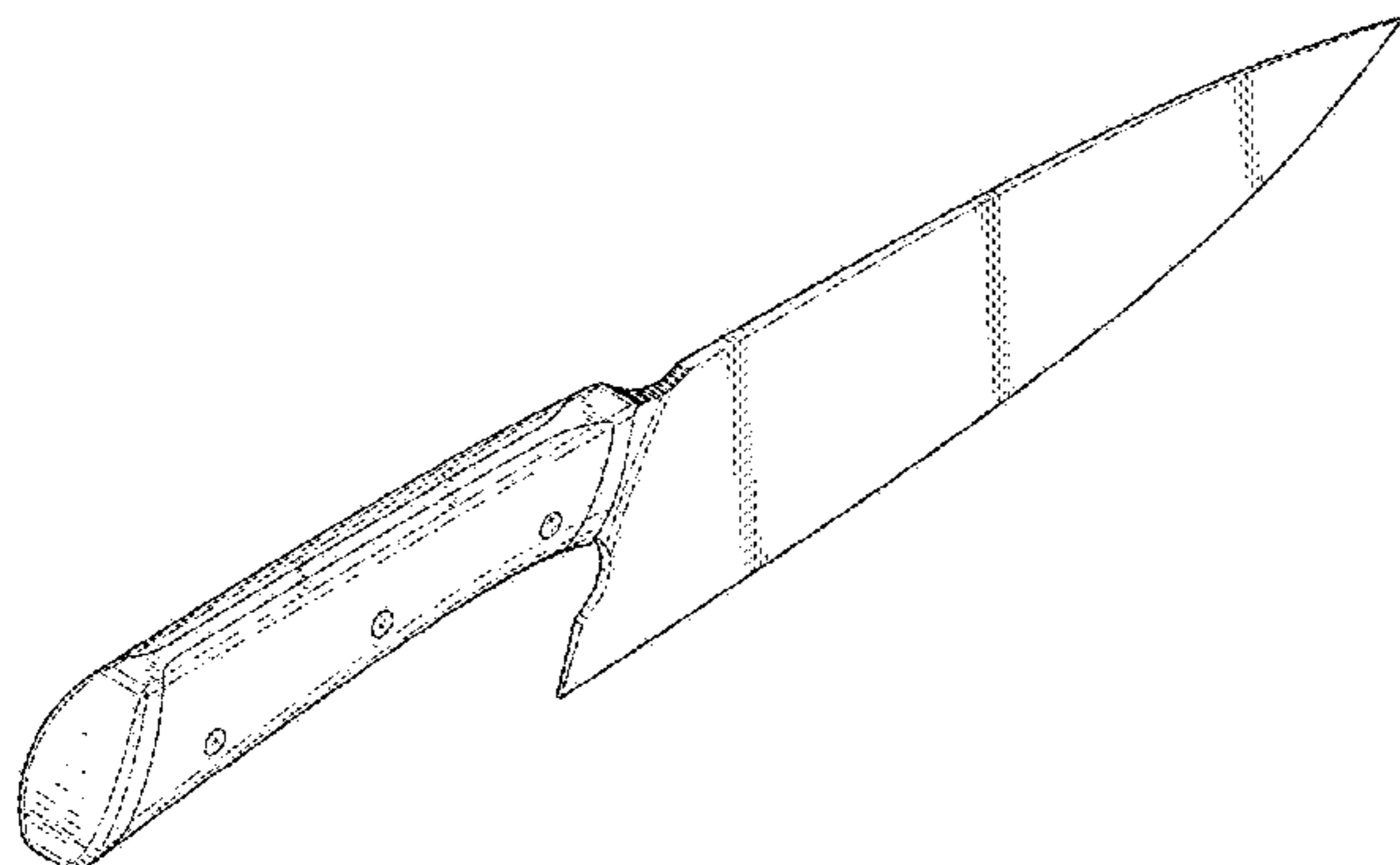
(57) **CLAIM**

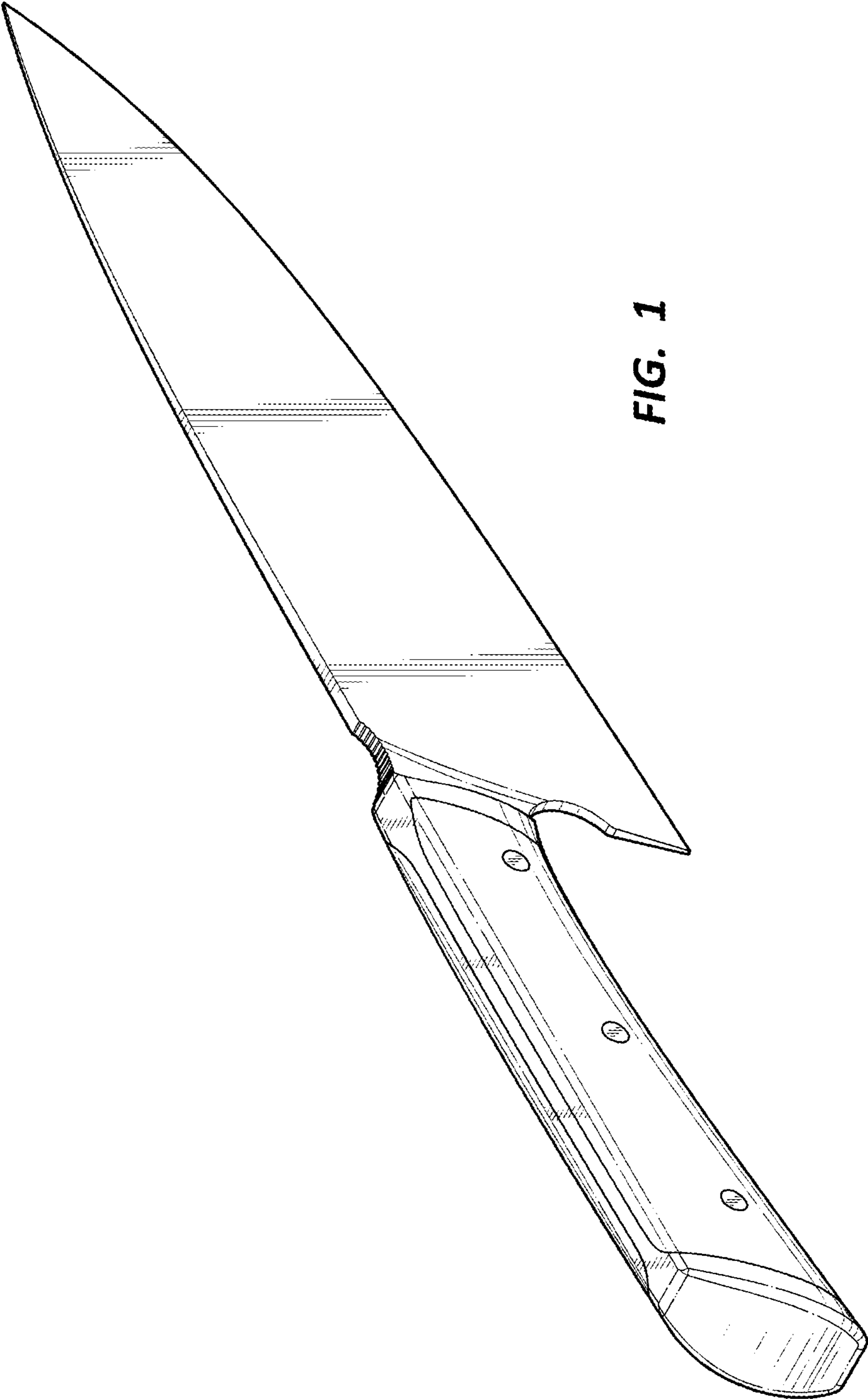
The ornamental design for a chef knife, as shown and described.

DESCRIPTION

FIG. 1 is a top right perspective view of a chef knife of the present invention;
FIG. 2 is a bottom left perspective view of a chef knife of the present invention;
FIG. 3 is a left side view of the chef knife;
FIG. 4 is a right side view of the chef knife;
FIG. 5 is a top plan view of the chef knife;
FIG. 6 is a bottom plan view of the chef knife;
FIG. 7 is an enlarged front end view of the chef knife; and,
FIG. 8 is an enlarged back end view of the chef knife.

1 Claim, 8 Drawing Sheets





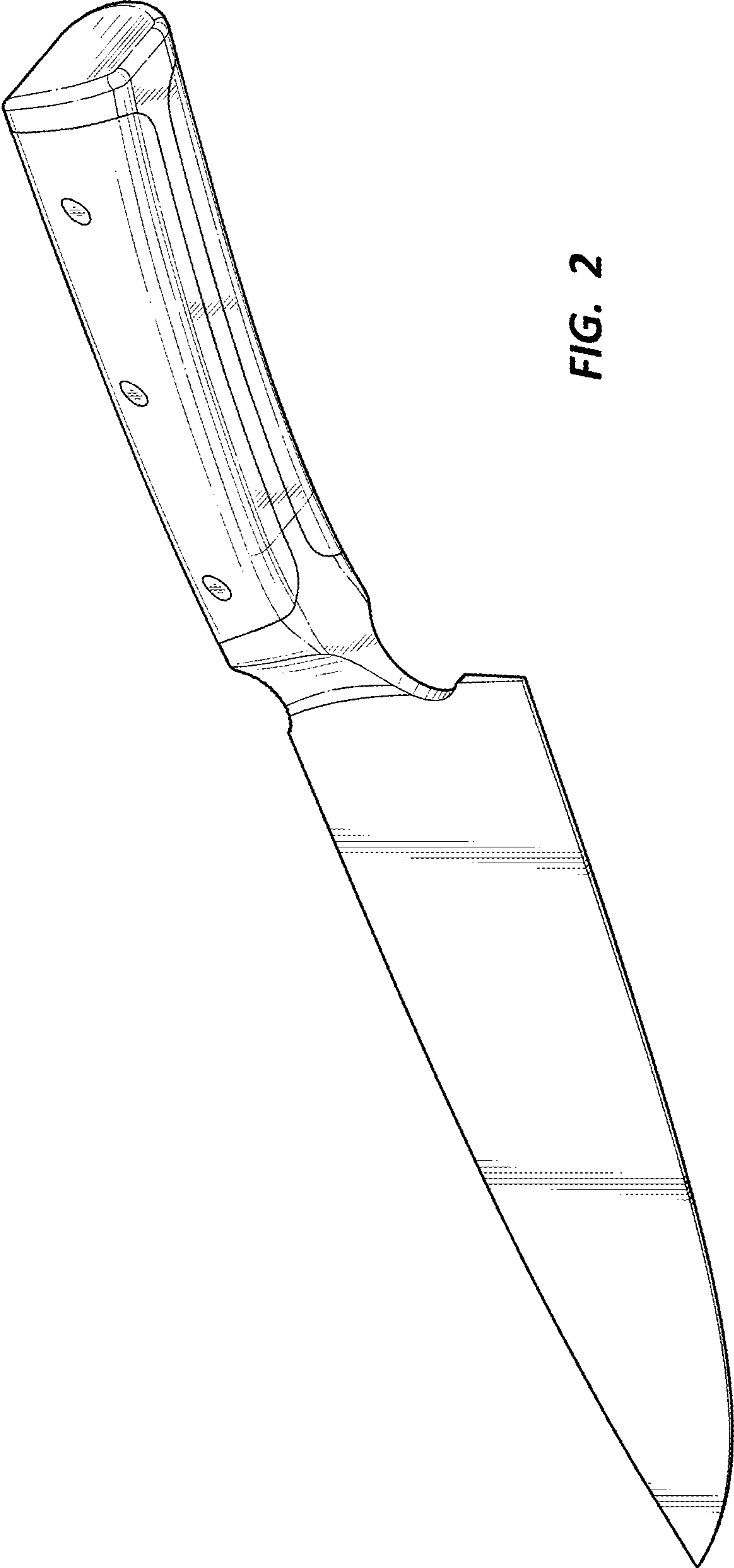


FIG. 2

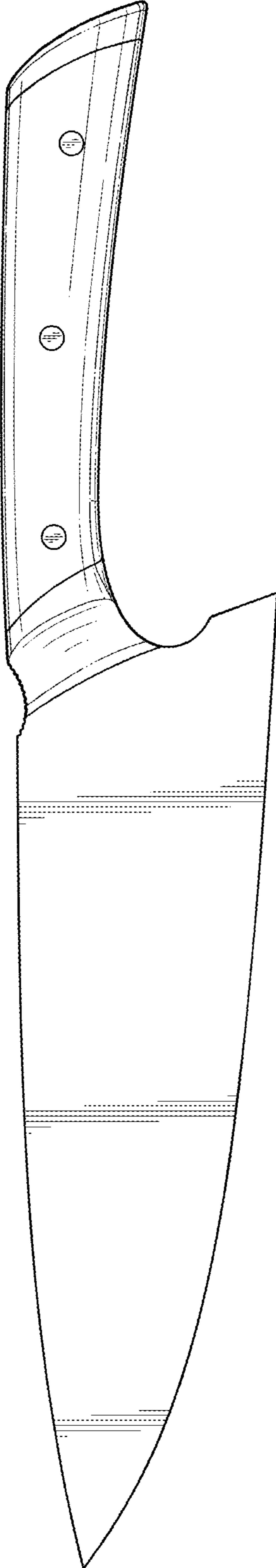


FIG. 3

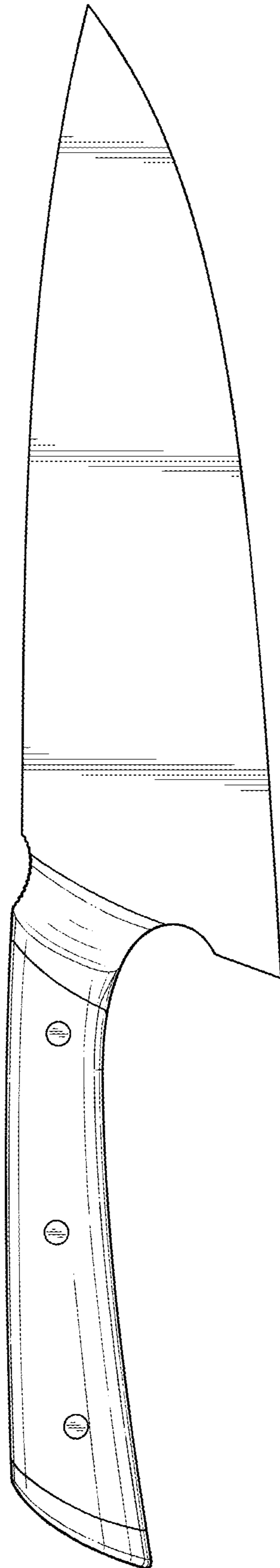


FIG. 4

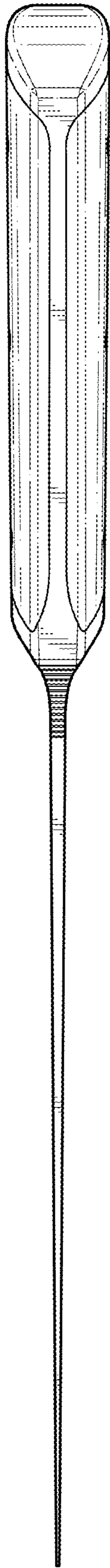


FIG. 5

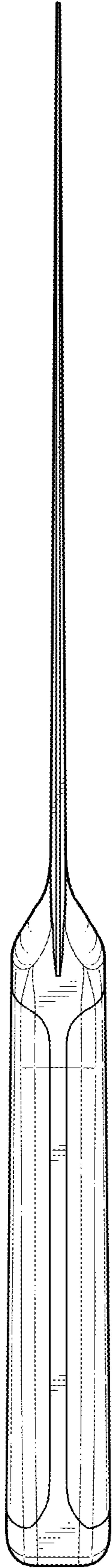


FIG. 6

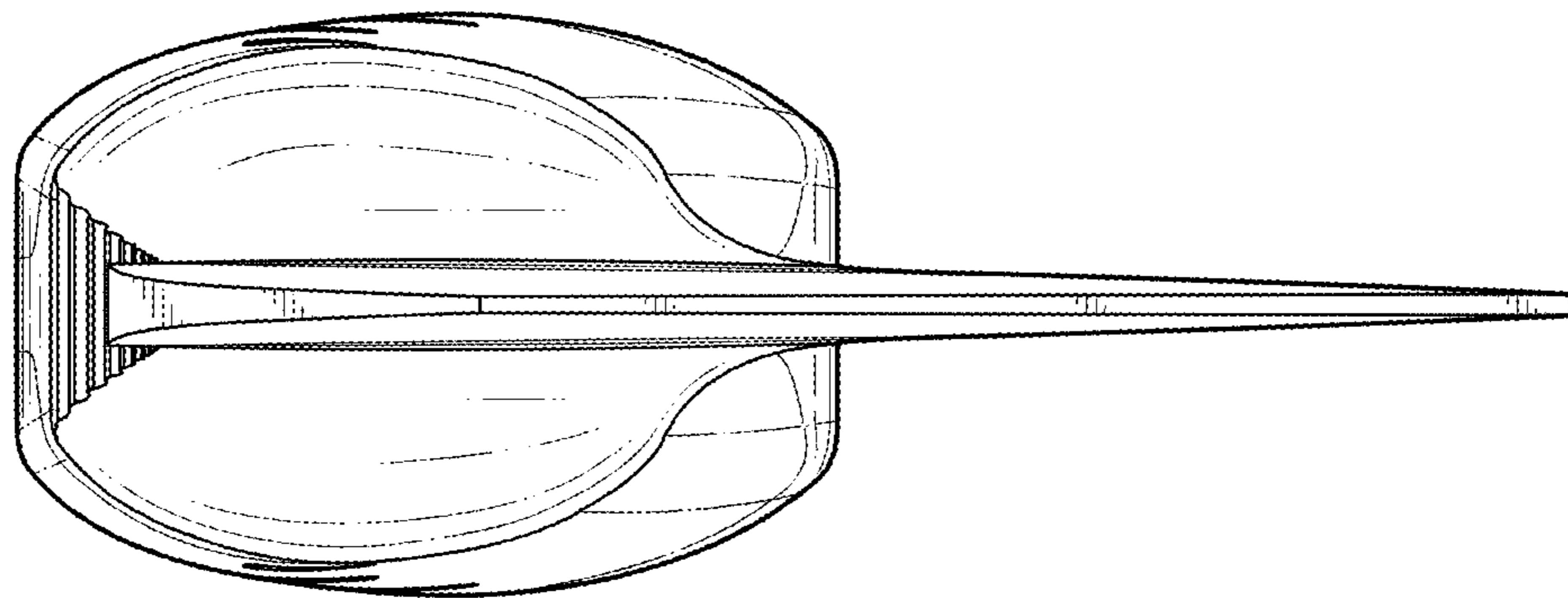


FIG. 7

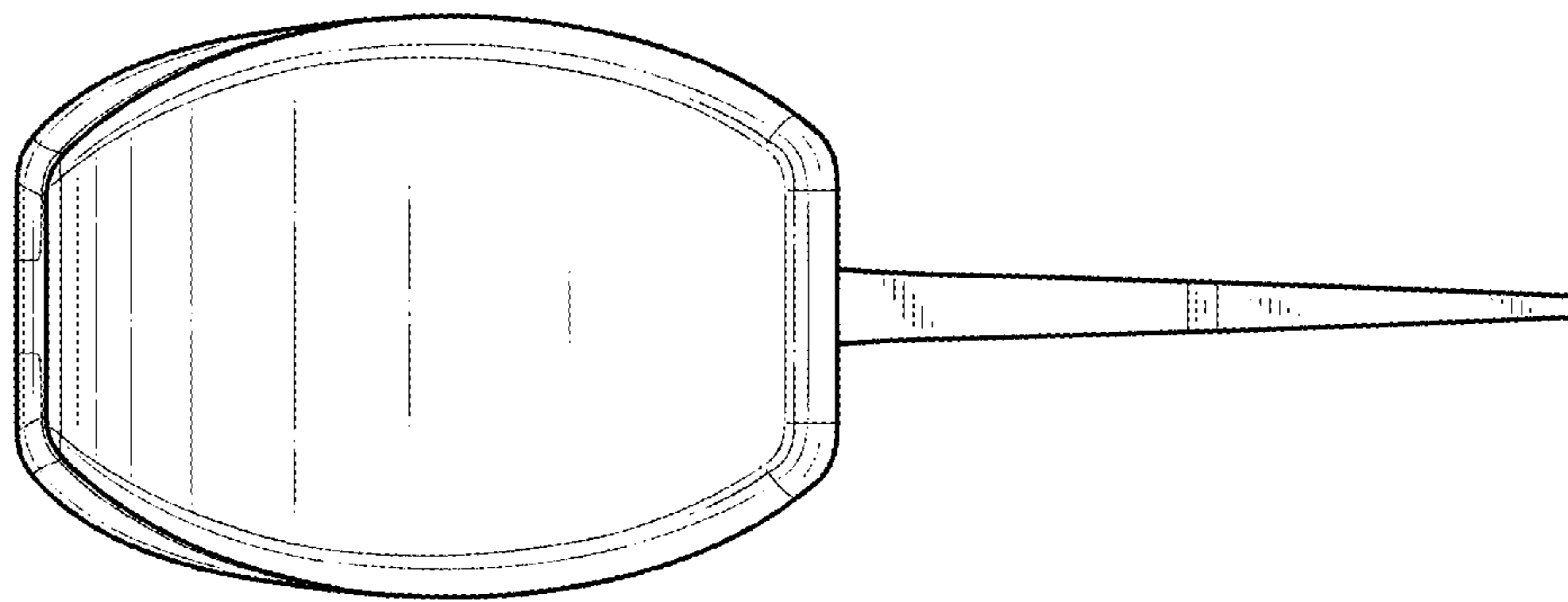


FIG. 8