



US00D957203S

(12) **United States Design Patent**
Watts

(10) **Patent No.:** **US D957,203 S**
(45) **Date of Patent:** **** Jul. 12, 2022**

(54) **CONTAINER**

(71) Applicant: **Helen of Troy Limited**, St. Michael (BB)

(72) Inventor: **Eric Watts**, Austin, TX (US)

(73) Assignee: **Helen of Troy Limited**, St. Michael (BB)

(**) Term: **15 Years**

(21) Appl. No.: **29/727,645**

(22) Filed: **Mar. 12, 2020**

(51) **LOC (13) Cl.** **09-07**

(52) **U.S. Cl.**
USPC **D7/629**

(58) **Field of Classification Search**

USPC D7/601-603, 605, 759-761, 629-630,
D7/637, 368, 392.1, 555; D9/414-416,
D9/424-425, 430-432, 420; D3/304,
D3/309, 312, 294

CPC B65D 1/26; B65D 1/40; B65D 81/34
See application file for complete search history.

(56) **References Cited**

U.S. PATENT DOCUMENTS

3,424,342	A *	1/1969	Scopp	B65D 43/0212
					220/793
D308,941	S *	7/1990	Kong	D7/505
D360,105	S *	7/1995	Doxey	D7/391
D414,080	S *	9/1999	Bolwien	D7/602
D462,880	S *	9/2002	Maxwell	D7/629
D485,070	S *	1/2004	Jessen	D3/318
D501,764	S *	2/2005	Lerner	D7/629
D507,939	S *	8/2005	Mitchell, Jr.	D7/629

(Continued)

FOREIGN PATENT DOCUMENTS

CN	306137173	* 10/2020
CN	306240042	* 12/2020
KR	300930184.0000	* 11/2017

OTHER PUBLICATIONS

Storage Container, Iwaki, want.jp, author and date unlisted © VIP Plaza Japan, Inc., online, site visited Sep. 1, 2021. Available at URL: <https://want.jp/product/A5E2AE167BAA6D> (Year: 2021).*

(Continued)

Primary Examiner — Sandra Snapp

Assistant Examiner — Altaira J Swangin

(74) *Attorney, Agent, or Firm* — Rankin, Hill & Clark LLP

(57) **CLAIM**

The ornamental design for a container, as shown and described.

DESCRIPTION

FIG. 1 is a perspective view of a new, original and ornamental design for a container according to one embodiment of the present disclosure;

FIG. 2 is a front elevation view of FIG. 1;

FIG. 3 is a rear elevation view of FIG. 1;

FIG. 4 is a left side elevation view of FIG. 1;

FIG. 5 is a right side elevation view of FIG. 1;

FIG. 6 is a top plan view of FIG. 1;

FIG. 7 is a bottom plan view of FIG. 1;

FIG. 8 is a perspective view of a new, original and ornamental design for a container according to another embodiment of the present disclosure;

FIG. 9 is a front elevation view of FIG. 8;

FIG. 10 is a rear elevation view of FIG. 8;

FIG. 11 is a left side elevation view of FIG. 8;

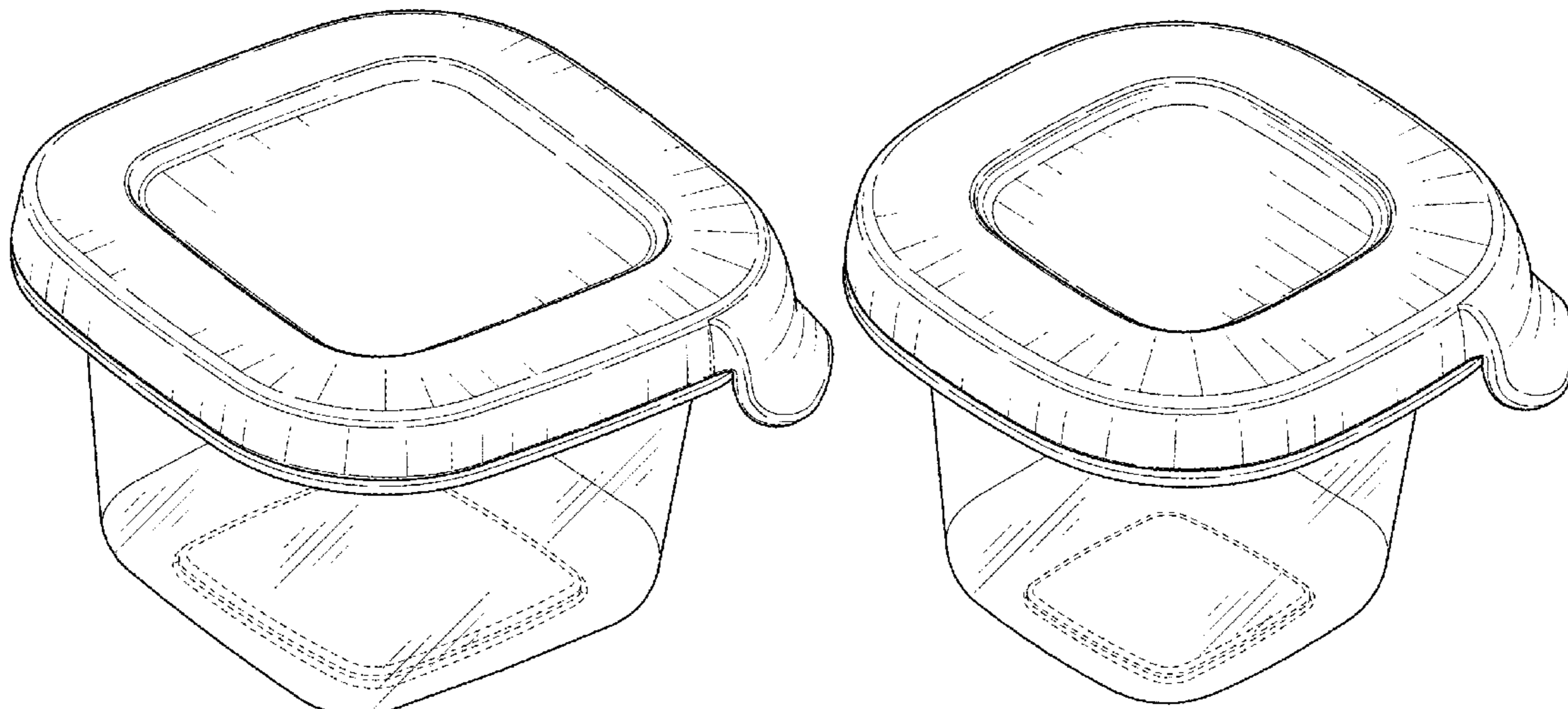
FIG. 12 is a right side elevation view of FIG. 8;

FIG. 13 is a top plan view of FIG. 8; and,

FIG. 14 is a bottom plan view of FIG. 8.

The broken lines shown in the drawings represent portions of the container and form no part of the claimed design.

1 Claim, 8 Drawing Sheets



(56)

References Cited

U.S. PATENT DOCUMENTS

D516,859 S * 3/2006 Zettle D7/392.1
 D568,693 S * 5/2008 Furlong D7/629
 D665,662 S * 8/2012 Schick D9/425
 D672,612 S * 12/2012 Stamper D7/602
 D673,847 S * 1/2013 Barbier D9/420
 D691,891 S * 10/2013 Joy D7/629
 D692,282 S * 10/2013 George D7/629
 D696,075 S * 12/2013 Mashike D7/605
 D730,127 S * 5/2015 Maxwell D7/629
 9,108,766 B2 * 8/2015 Gosen B65D 21/0204
 9,340,334 B2 * 5/2016 DeSiena B65D 21/022
 D795,057 S * 8/2017 Segal D9/425
 D801,127 S * 10/2017 Beckman D7/629
 D814,920 S * 4/2018 Georgiadis D9/420
 9,988,191 B2 * 6/2018 Norris B65D 41/02
 D828,099 S * 9/2018 Zhang D7/555
 D904,134 S * 12/2020 Choi D7/629
 2007/0187277 A1 * 8/2007 Furlong B65D 21/0223
 206/515
 2009/0173656 A1 * 7/2009 Furlong B65D 21/022
 206/508

2010/0276422 A1 * 11/2010 Vovan B65D 43/021
 220/260
 2012/0037652 A1 * 2/2012 Turvey B65D 43/0218
 220/780
 2018/0327148 A1 * 11/2018 Trahan B65D 43/022

OTHER PUBLICATIONS

Glass Food Storage Container, Rubbermaid, amazon.com, published by Rubbermaid, first available Jun. 28, 2017 © 1996-2021 Amazon.com, Inc., online, site visited Sep. 1, 2021. Available at URL: https://www.amazon.com/Rubbermaid-Glass-Storage-Container-2856006/dp/B004RLNEWE/ref=sr_1_4?dchild=1&keywords=Rubbermaid+Glass+Containers&qid=1630553094&sr=8-4 (Year: 2017).*

TrueSeal Rectangular Container, Anchor Hocking, walmart.com, author and date unlisted © 2021 Walmart, online, site visited Sep. 18, 2021. Available at URL: <https://www.walmart.com/ip/Anchor-Hocking-TrueSeal-Rectangular-1-9-Cup-Glass-Food-Storage-Container-with-Airtight-Green-Lid-Set-of-Two/636607231> (Year: 2021).*

* cited by examiner

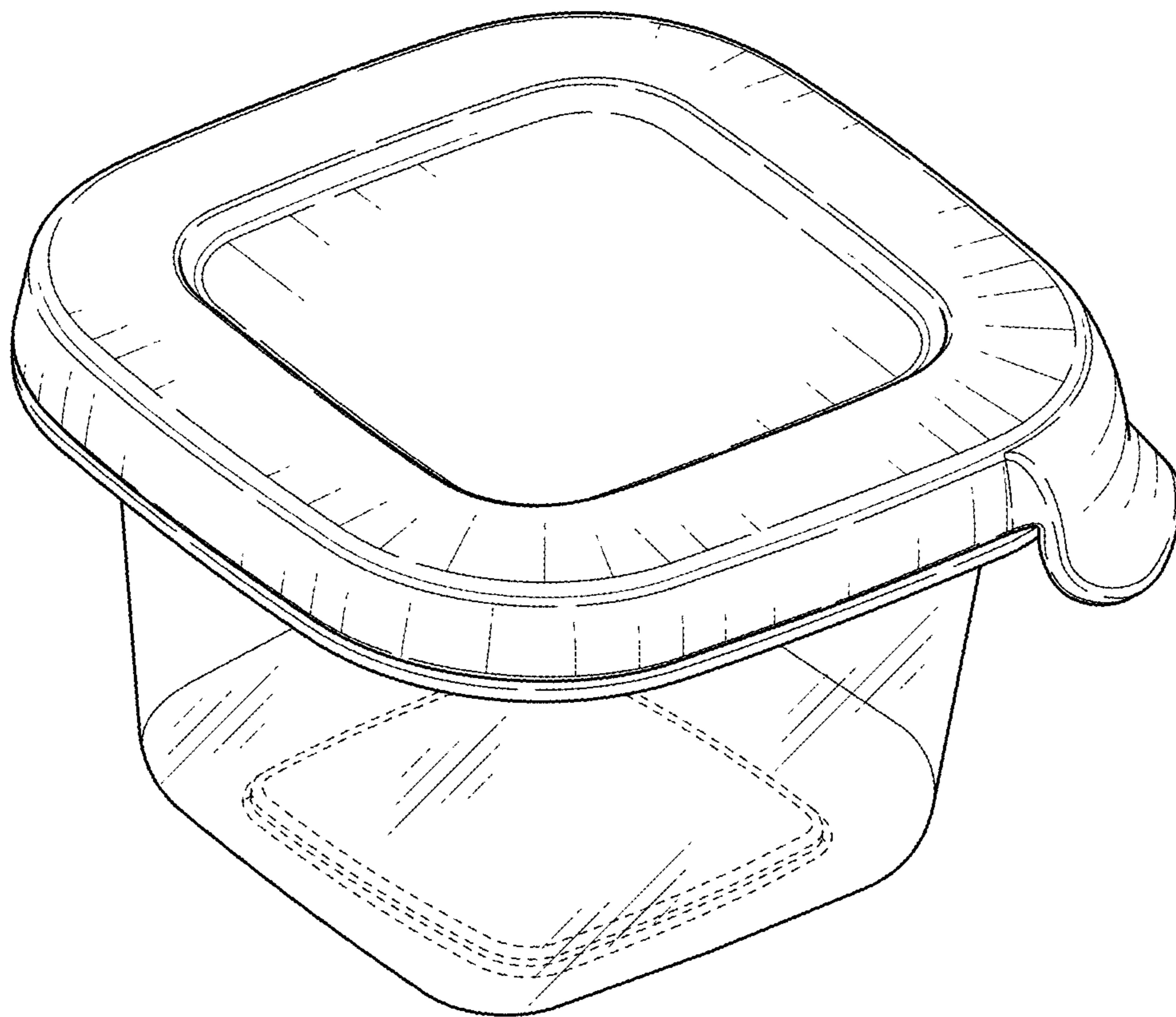


FIG. 1

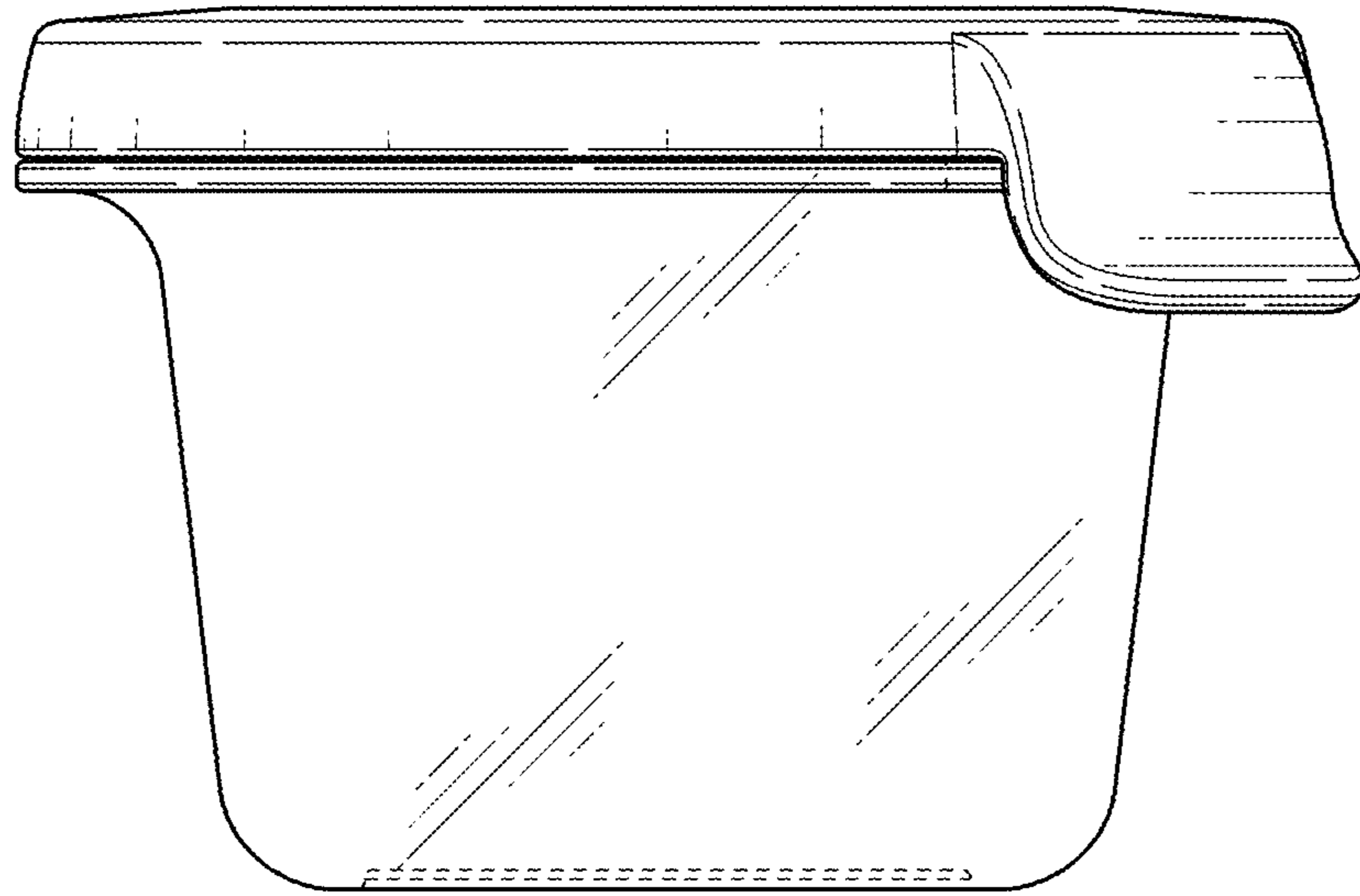


FIG. 2

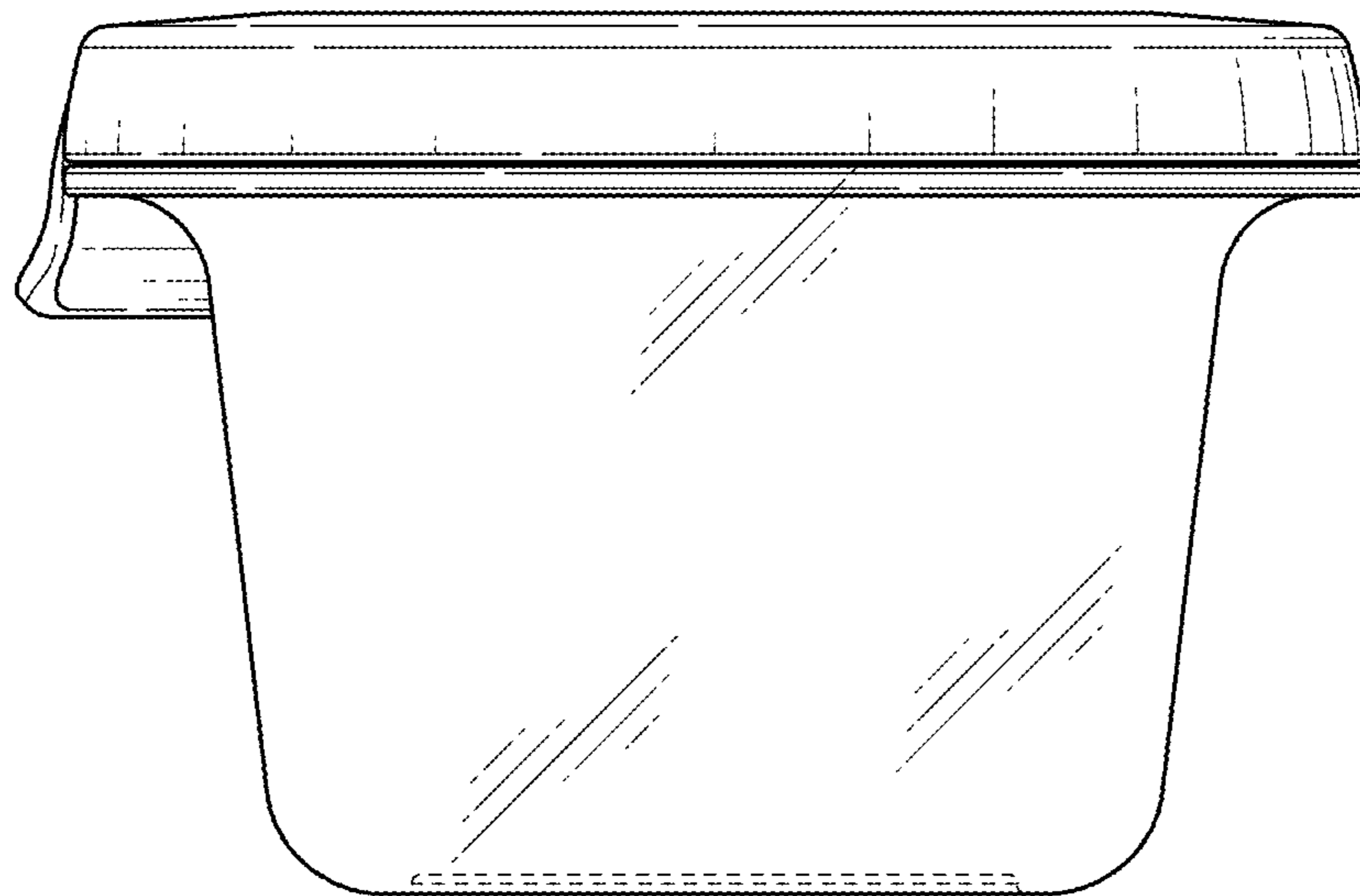


FIG. 3

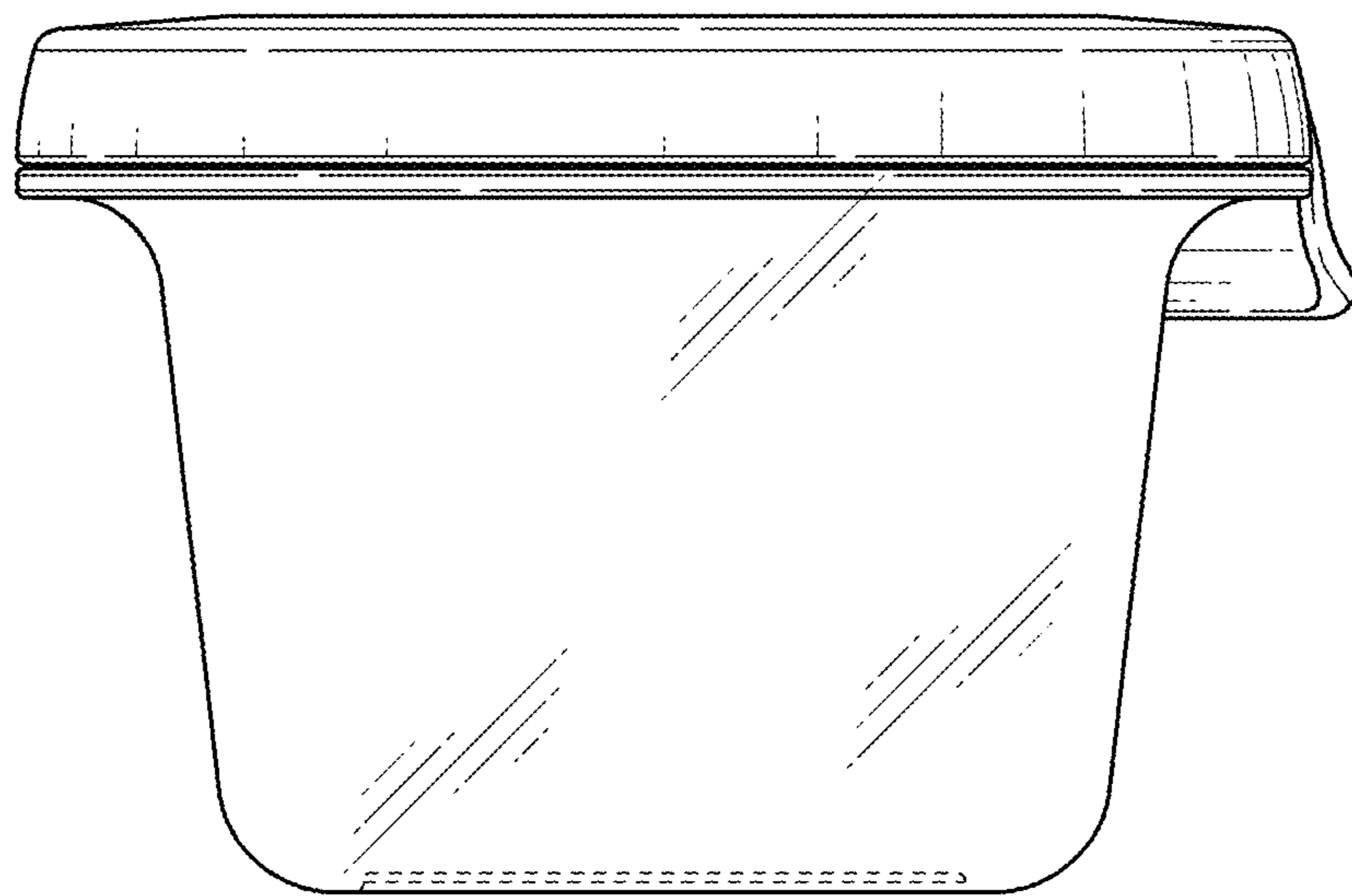


FIG. 4

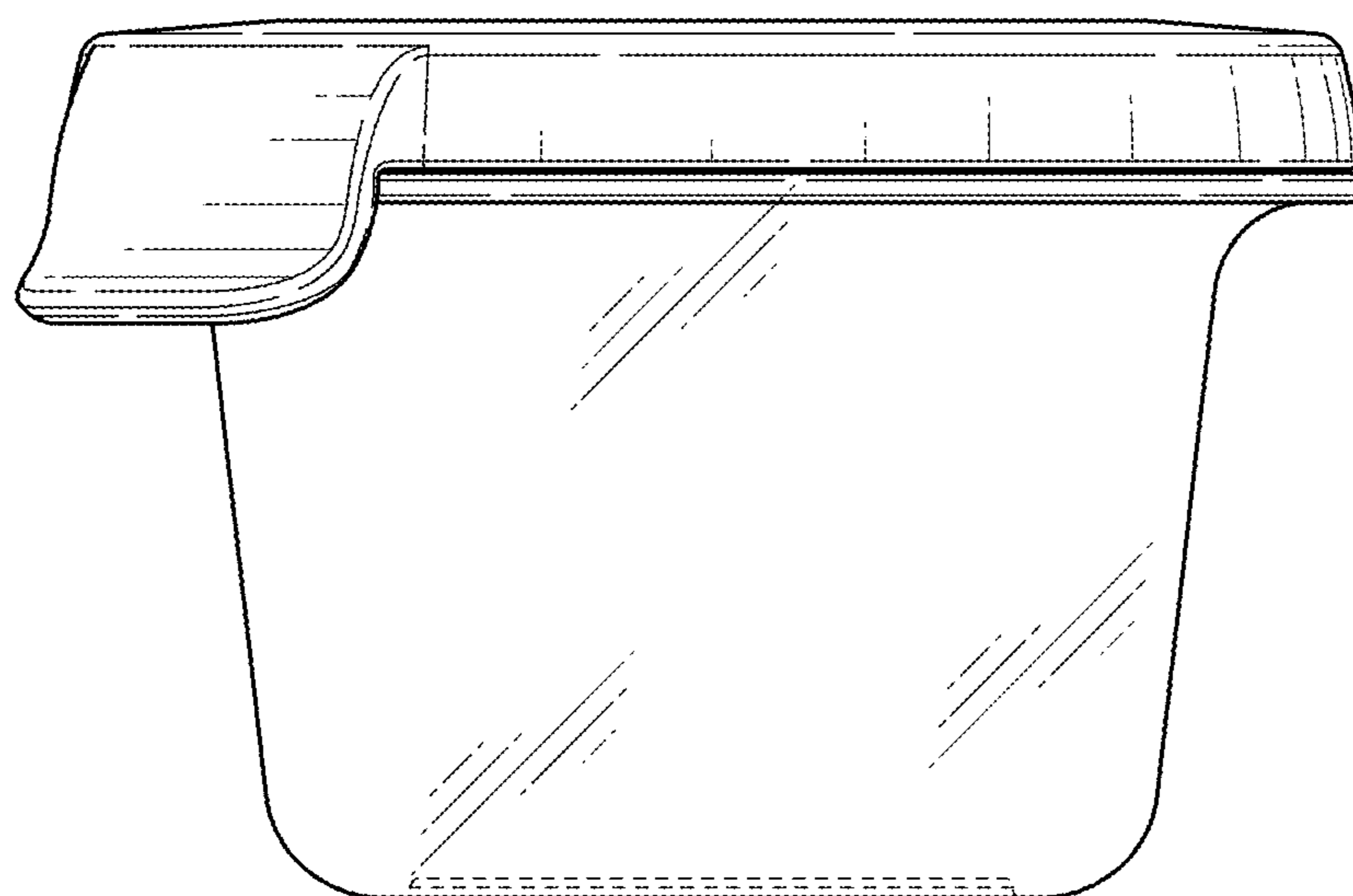


FIG. 5

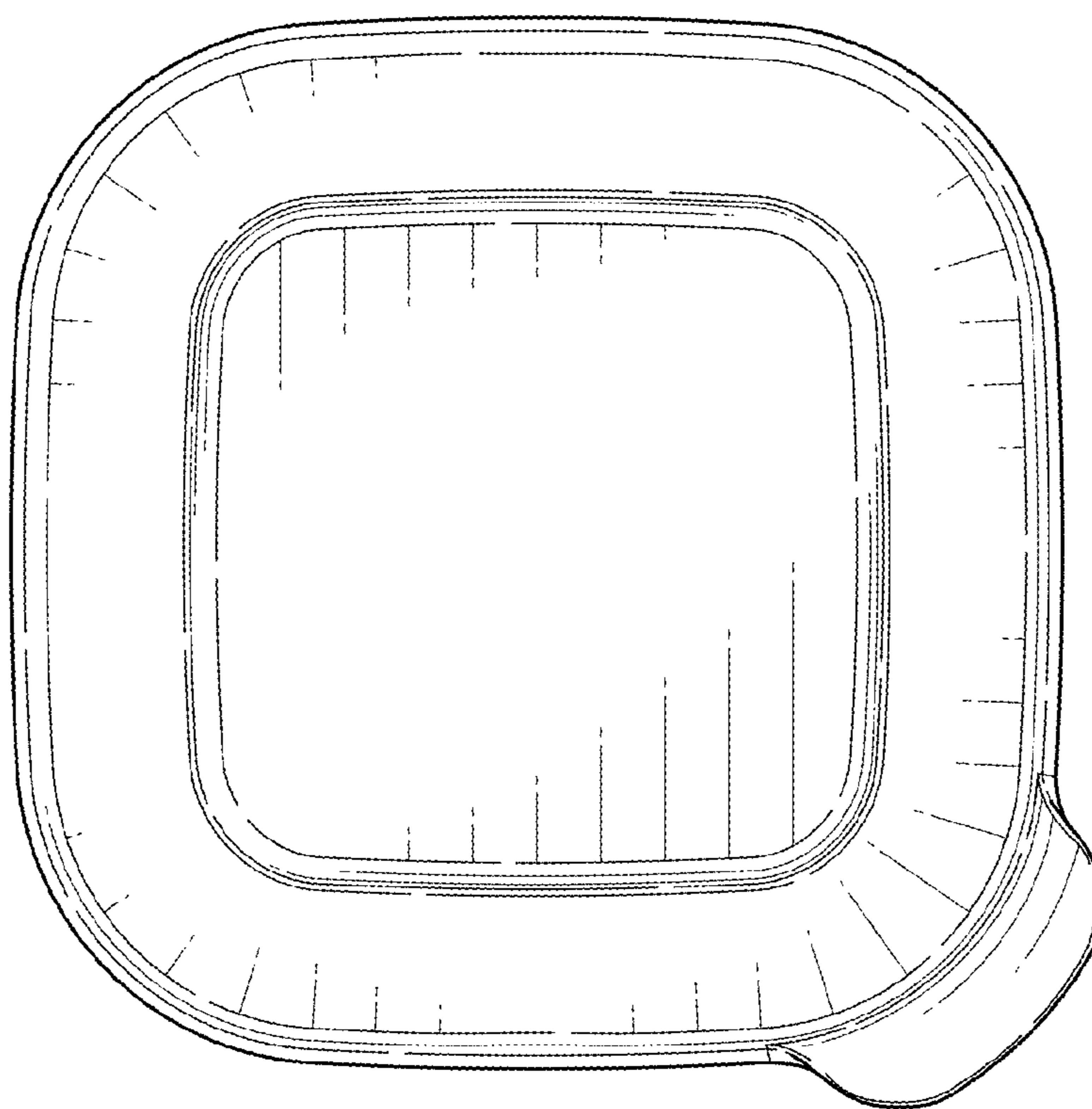


FIG. 6

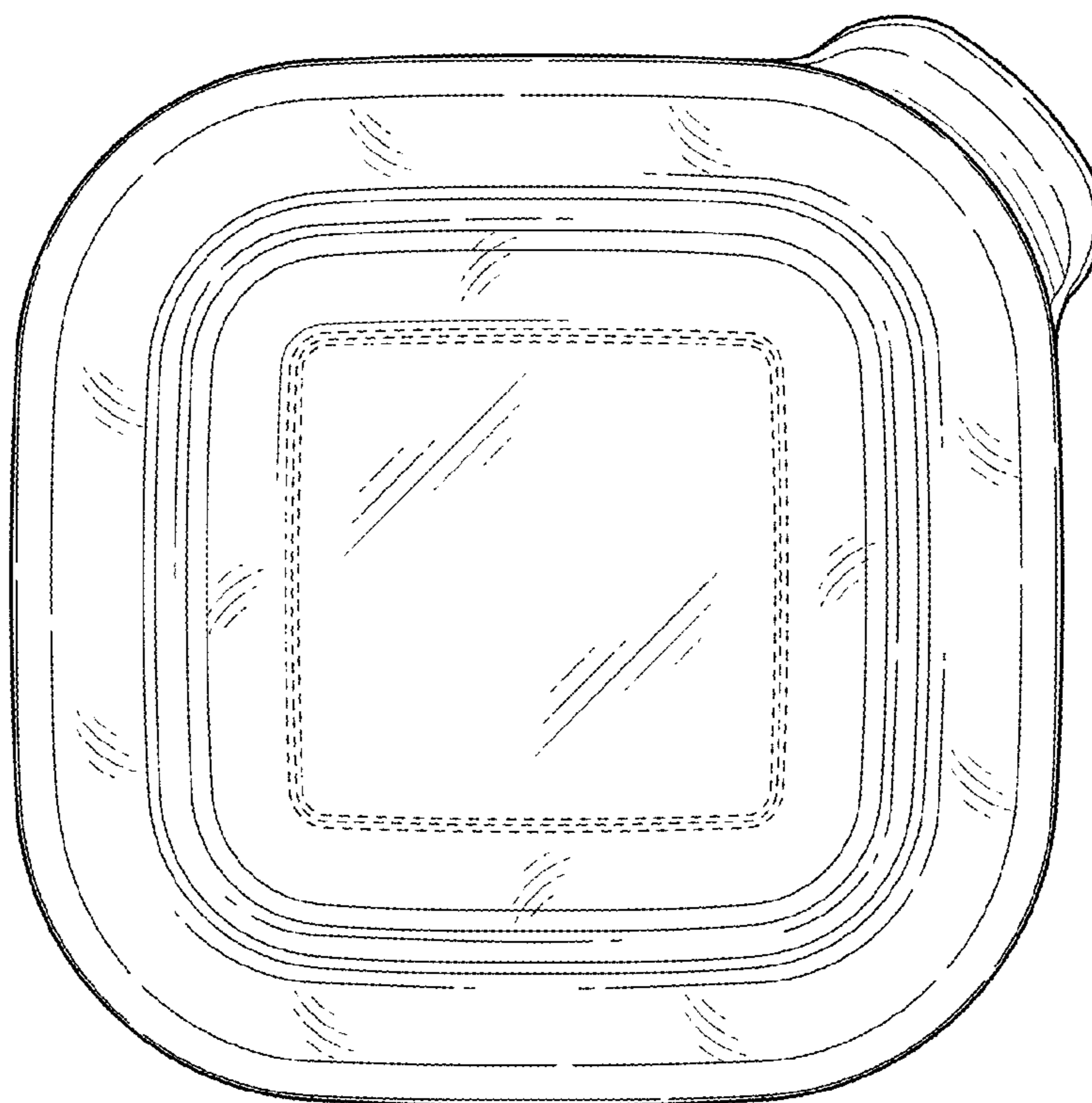


FIG. 7

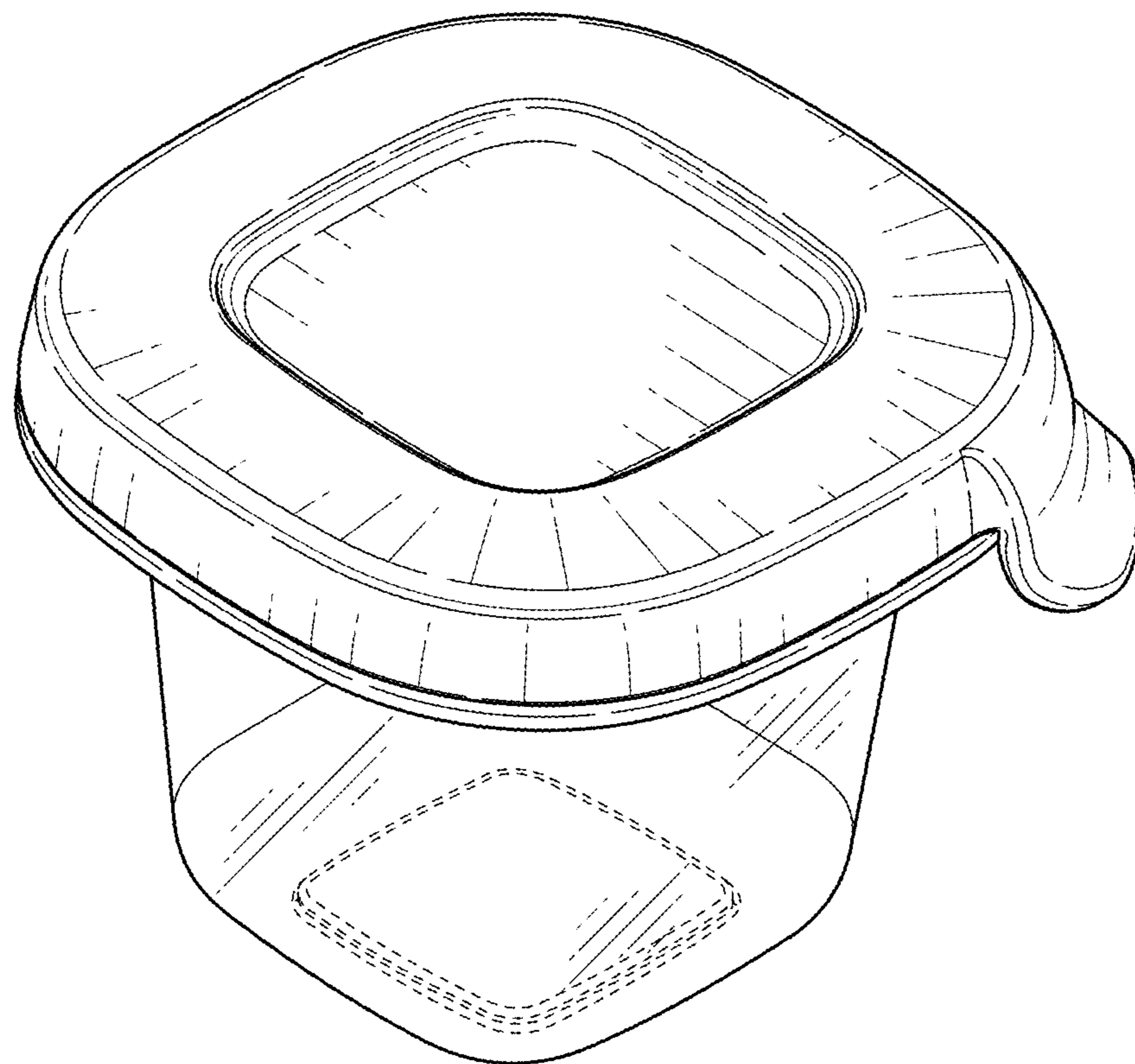


FIG. 8

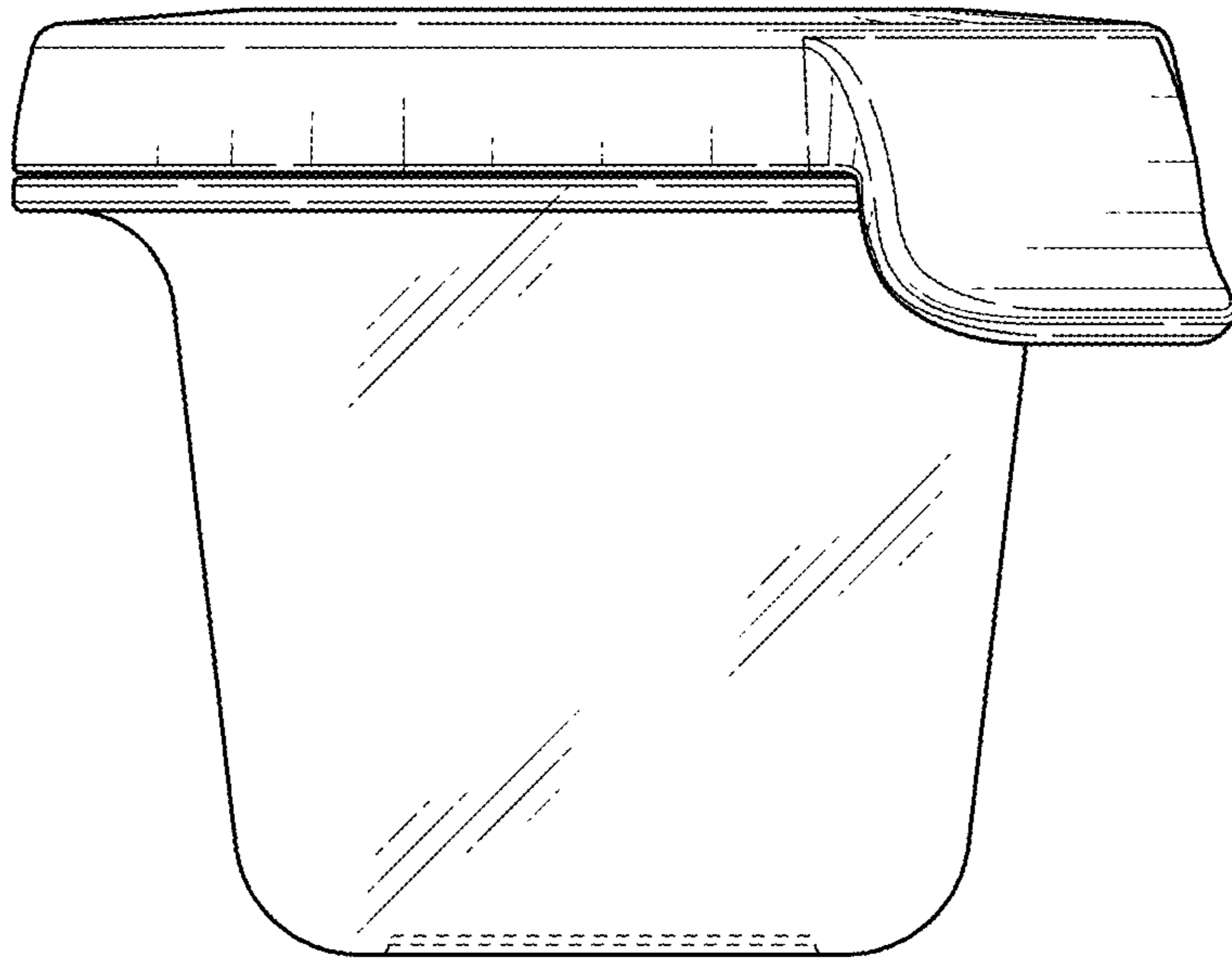


FIG. 9

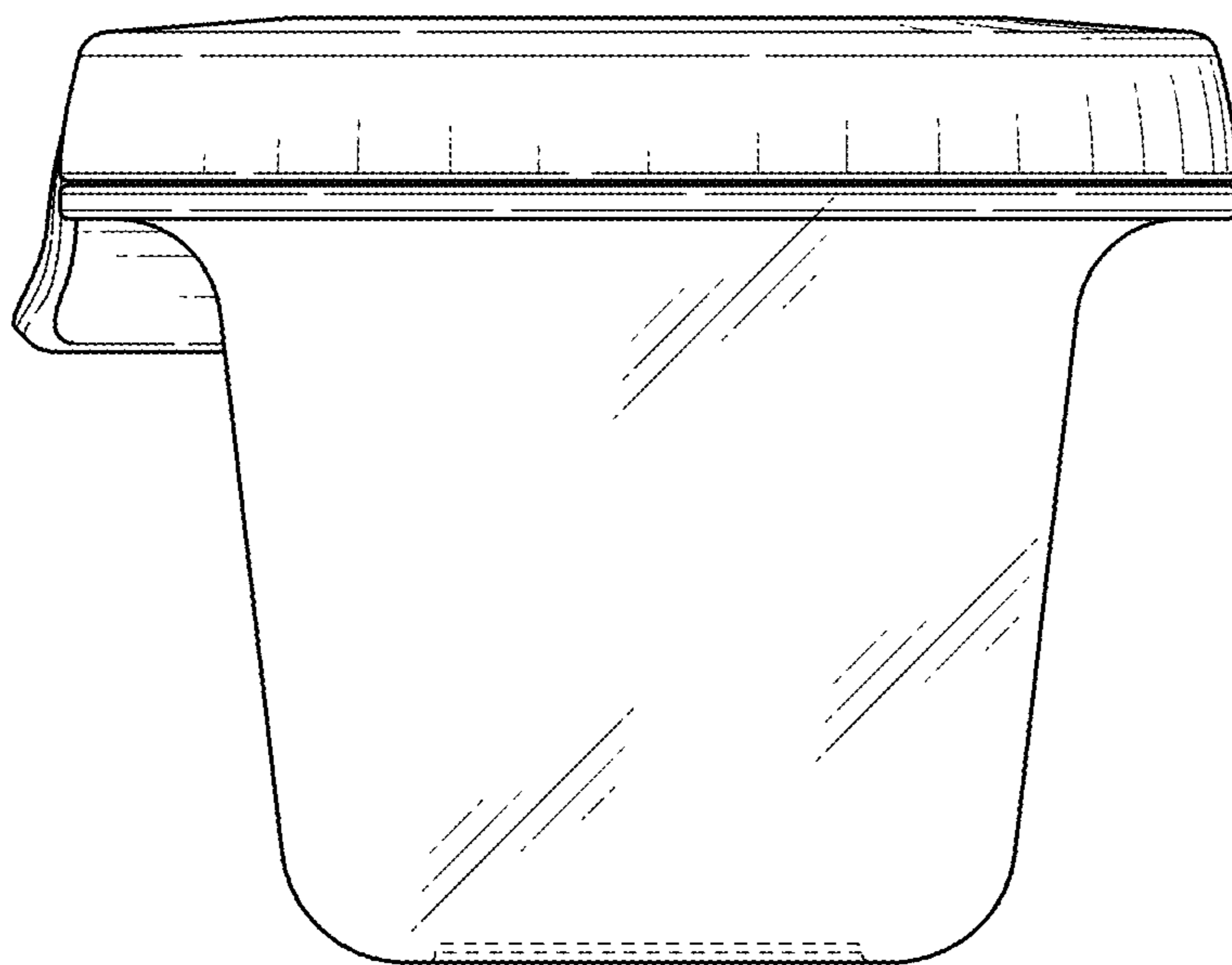


FIG. 10

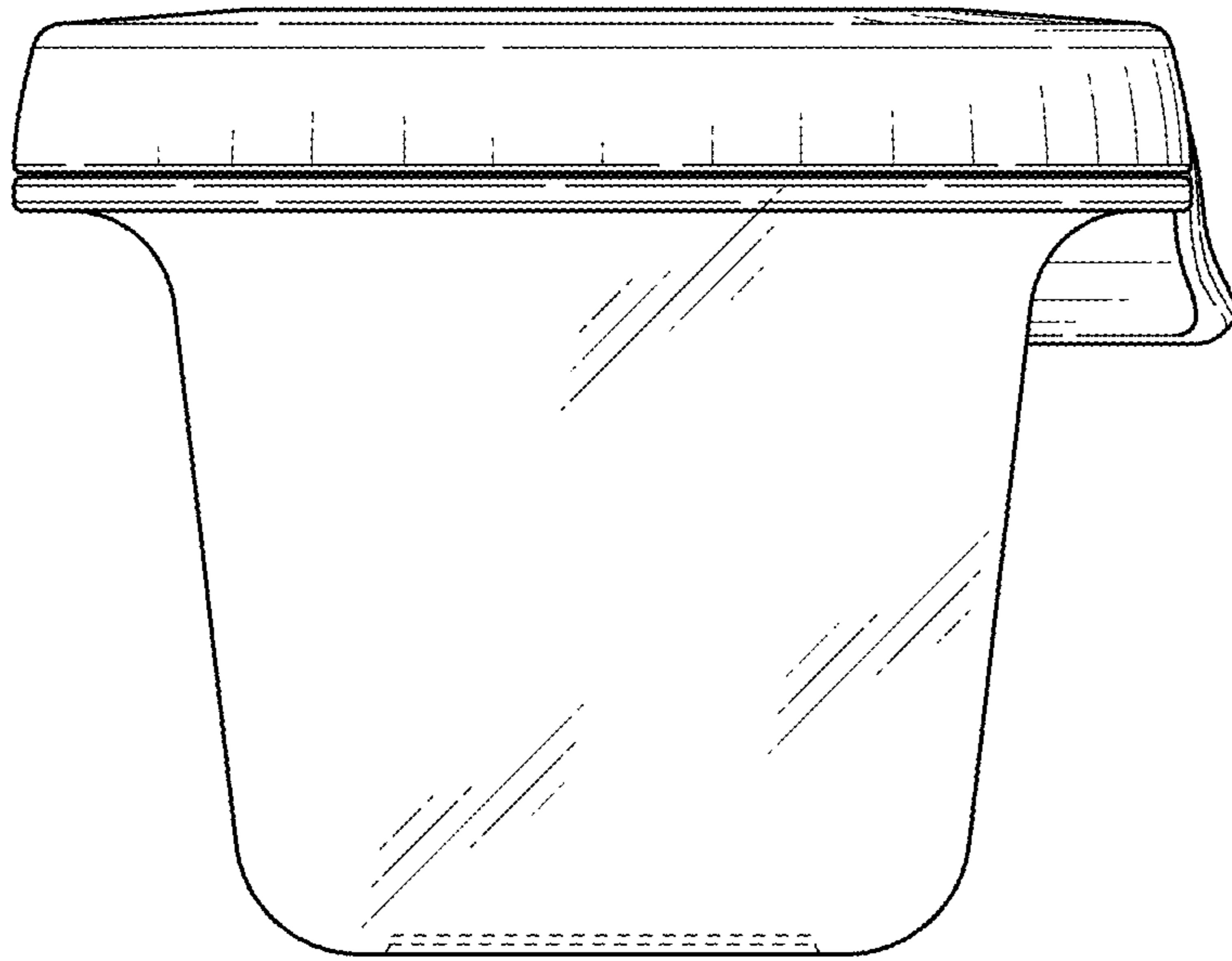


FIG. 11

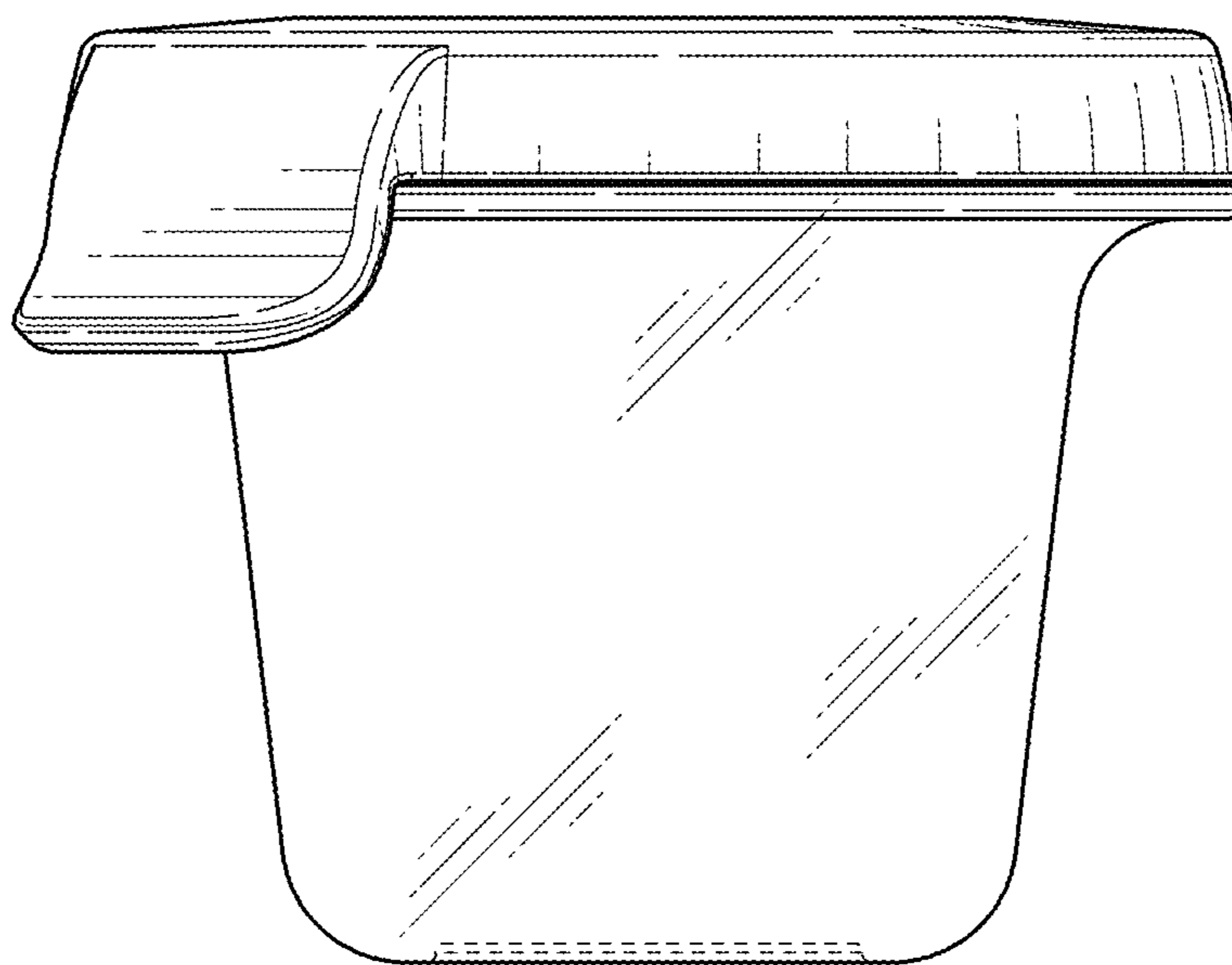


FIG. 12

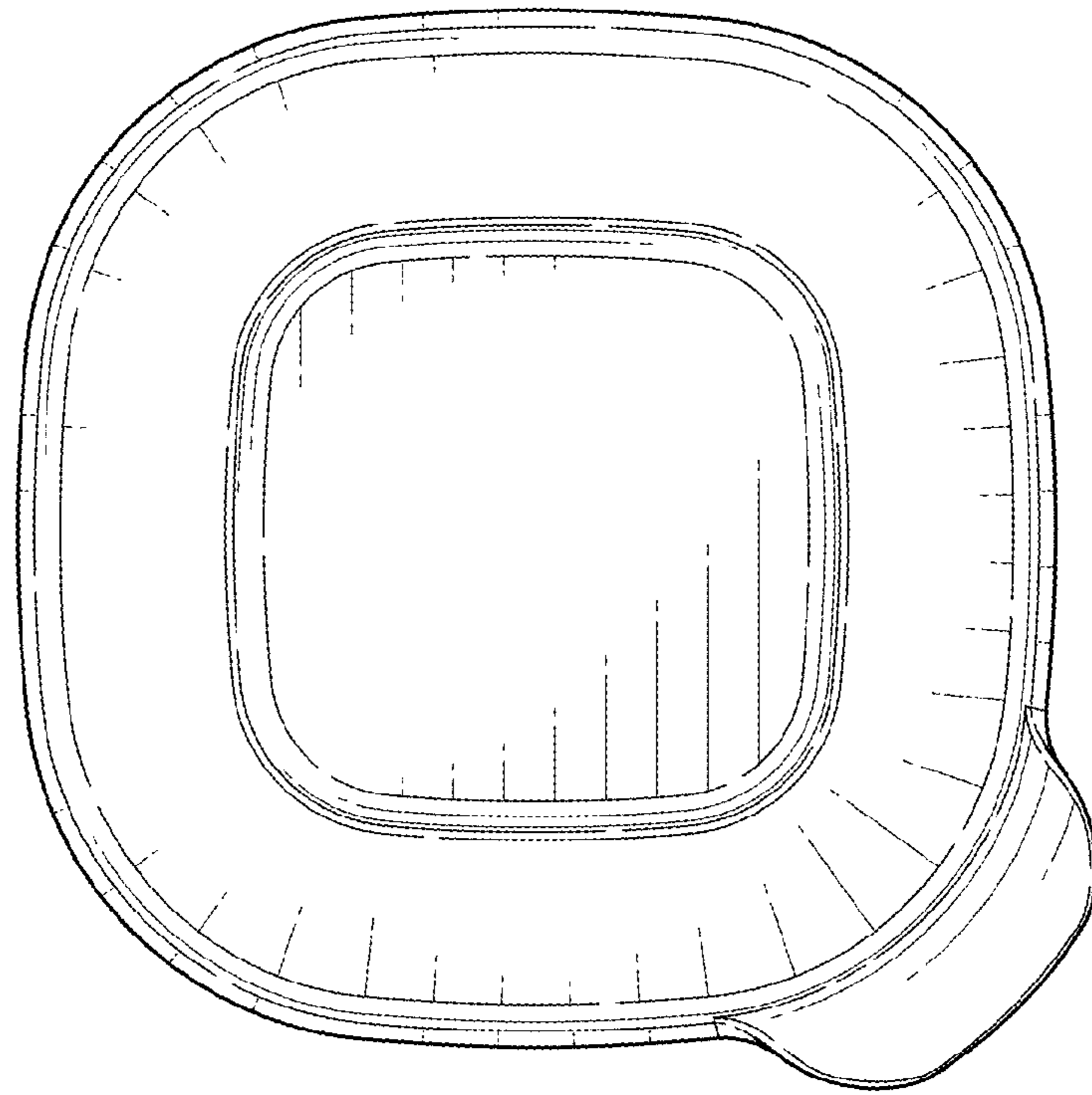


FIG. 13

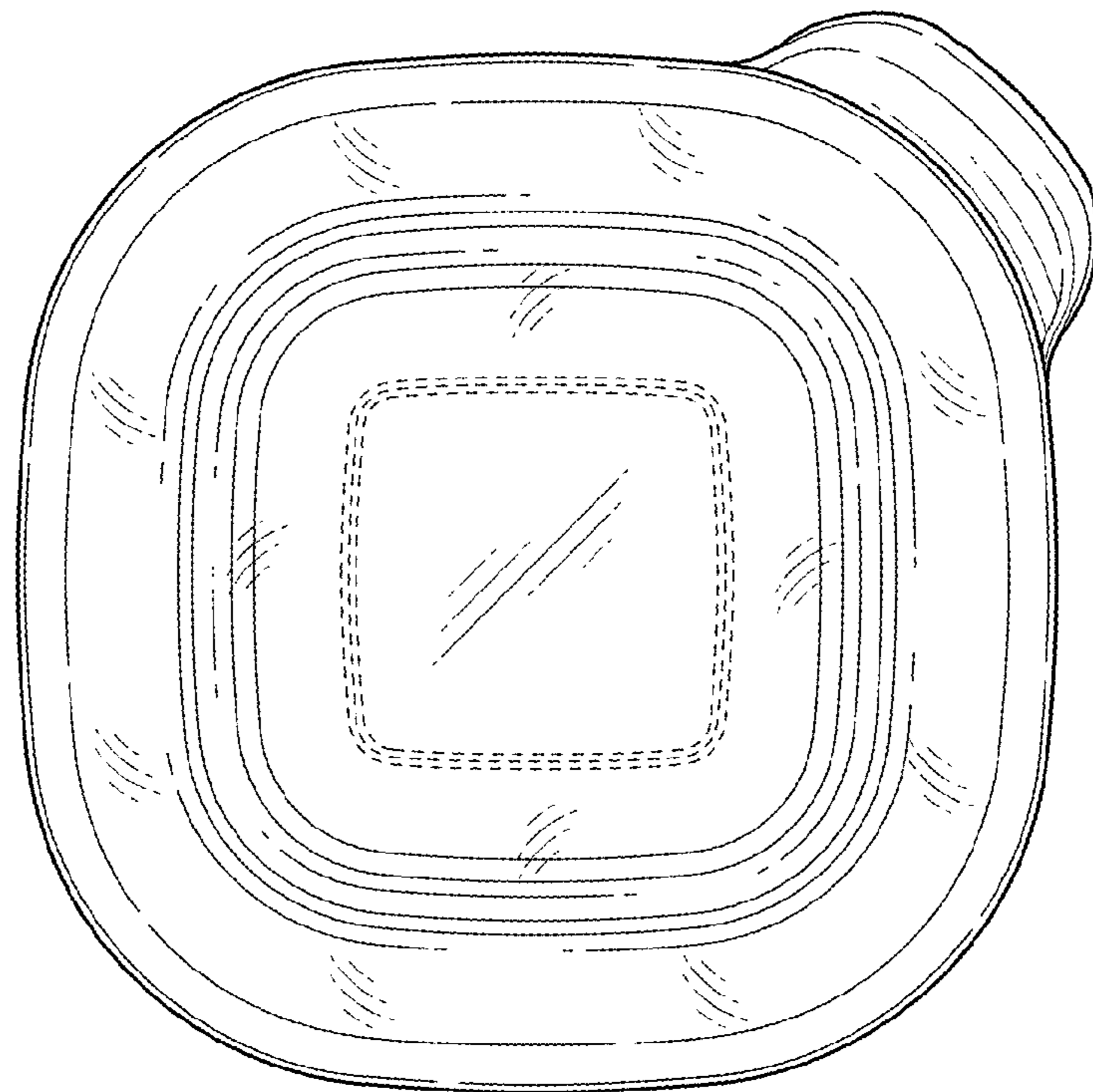


FIG. 14