



US00D957202S

(12) **United States Design Patent** (10) **Patent No.:** **US D957,202 S**
Frankcomb (45) **Date of Patent:** **** Jul. 12, 2022**

(54) **INSULATED HOLDER FOR A BEVERAGE CONTAINER**

D559,629 S * 1/2008 Gifford, Jr. D7/608
D629,657 S * 12/2010 Carreno F25D 31/007
D7/629
D660,084 S * 5/2012 Gilbert D7/510

(71) Applicant: **Rose Dorothy Frankcomb**, Armadale (AU)

(Continued)

(72) Inventor: **Rose Dorothy Frankcomb**, Armadale (AU)

OTHER PUBLICATIONS

(**) Term: **15 Years**

Huski Beer Cooler 2.0, first available May 30, 2021, Amazon, [online], [site visited Apr. 7, 2022], Available from internet URL: <https://www.amazon.com/Huski-Premium-Insulated-Stainless-Detachable/dp/B0966BN6TG> (Year: 2021).*

(21) Appl. No.: **29/762,586**

(Continued)

(22) Filed: **Dec. 17, 2020**

(51) **LOC (13) Cl.** **07-01**

(52) **U.S. Cl.**

USPC **D7/608**

(58) **Field of Classification Search**

USPC D7/300, 300.1, 312, 313, 354, 355, 360, D7/361, 387, 391, 392, 396.2, 509, 510, D7/511, 512, 513, 523, 533, 536, D7/601-608, 619.1, 622, 624.1-624.3, D7/625, 629, 630, 709; D3/202, D3/215-217, 272-274, 276, 279, 283, D3/284, 294, 295, 299, 301, 318, 327; D9/500, 503, 504, 529, 530, 537-540, D9/549

CPC B65D 43/02; B65D 2543/00092; B65D 81/3876

See application file for complete search history.

Primary Examiner — Mary Ann Calabrese

Assistant Examiner — Natalya M Rapundalo

(74) *Attorney, Agent, or Firm* — Eric Karich; Karich & Associates

(57) **CLAIM**

The ornamental design for an insulated holder for a beverage container, as shown and described.

DESCRIPTION

FIG. 1 is a top perspective view of an insulated holder for a beverage container, showing my new design containing a beverage container;

FIG. 2 is a top perspective view thereof, without the beverage container;

FIG. 3 is a bottom perspective view thereof;

FIG. 4 is a front elevational view thereof;

FIG. 5 is a rear elevational view thereof;

FIG. 6 is a left side elevational view thereof;

FIG. 7 is a right side elevational view thereof;

FIG. 8 is a top plan view thereof; and,

FIG. 9 is a bottom plan view thereof.

The broken lines show a beverage container and portions of the insulated holder for a beverage container and form no part of the claimed design.

(56) **References Cited**

U.S. PATENT DOCUMENTS

4,344,303 A * 8/1982 Kelly, Jr. B29C 44/1242 383/110

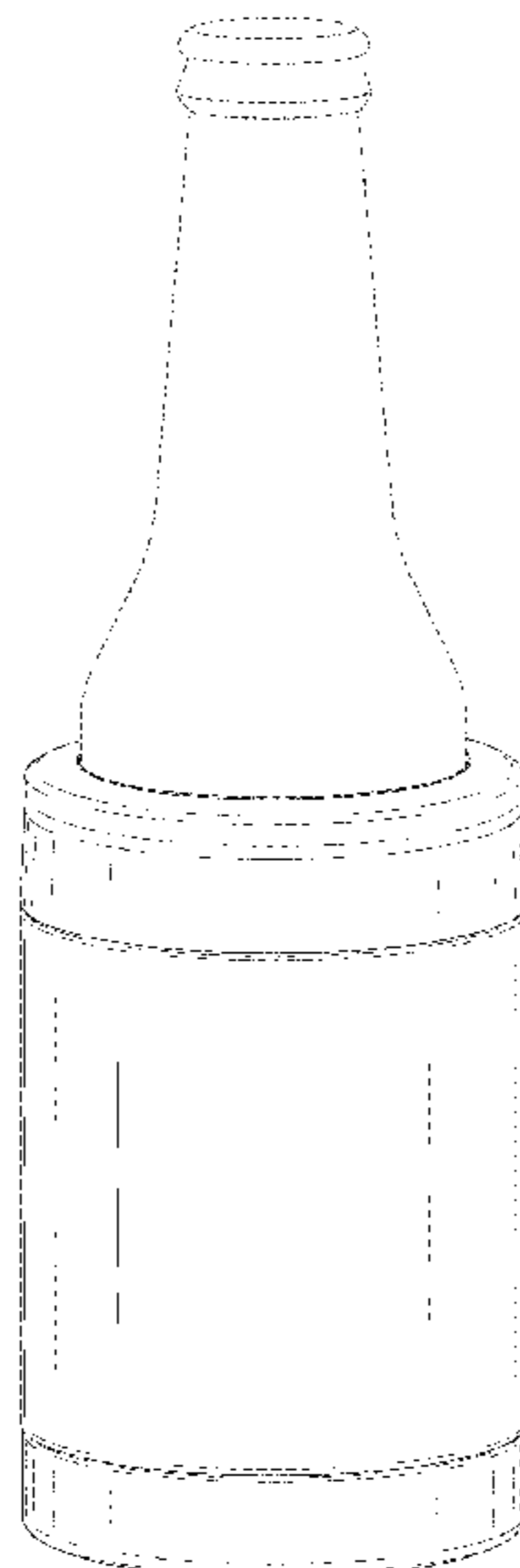
4,882,914 A * 11/1989 Haines-Keeley .. B65D 81/3883 62/530

4,989,415 A * 2/1991 Lombness F25D 31/007 62/372

D442,833 S * 5/2001 Shuman D7/608

D505,837 S * 6/2005 Lima D7/624.2

1 Claim, 4 Drawing Sheets



(56)

References Cited

U.S. PATENT DOCUMENTS

D752,397 S 3/2016 Seiders et al.
D779,285 S * 2/2017 Seiders B29C 44/1242
D7/624.2
D780,530 S 3/2017 Seiders et al.
D801,753 S * 11/2017 Piper D7/624.2
D816,422 S * 5/2018 Nguyen D7/603
D873,243 S * 1/2020 Rager D14/216
D902,665 S * 11/2020 Jacobsen D7/608
D908,444 S * 1/2021 Pape D7/607
11,040,819 B1 * 6/2021 Frankcomb A47G 23/0216
D925,294 S * 7/2021 Gu D7/603
D928,529 S * 8/2021 Ben Susan D6/534
2008/0237242 A1 * 10/2008 Gifford A47G 23/0216
220/592.16
2021/0145196 A1 * 5/2021 Moody B65D 81/3881

OTHER PUBLICATIONS

STUBiBudi Beer Can Cooler, first available May 30, 2021, Amazon, [online], [site visited Apr. 7, 2021], Available from internet URL: <https://www.amazon.com/STUBiBudi-Insulated-Stainless-Bottle-Bottles/dp/B08TC62PXZ> (Year: 2021).*

* cited by examiner

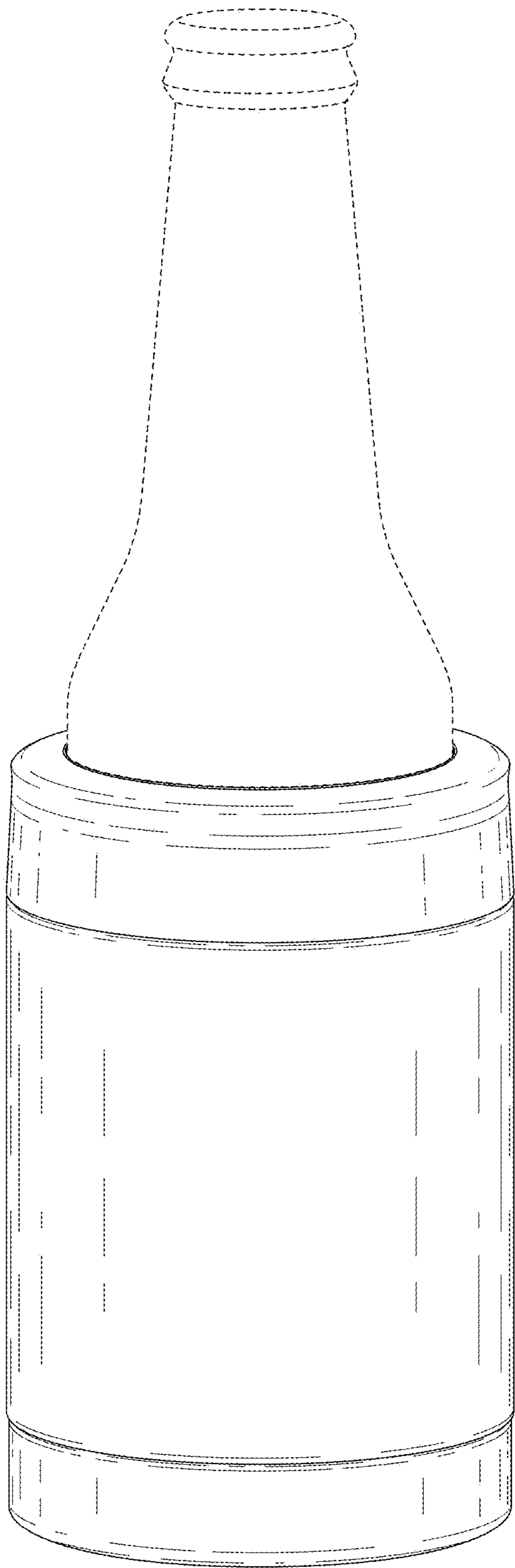


Fig. 1

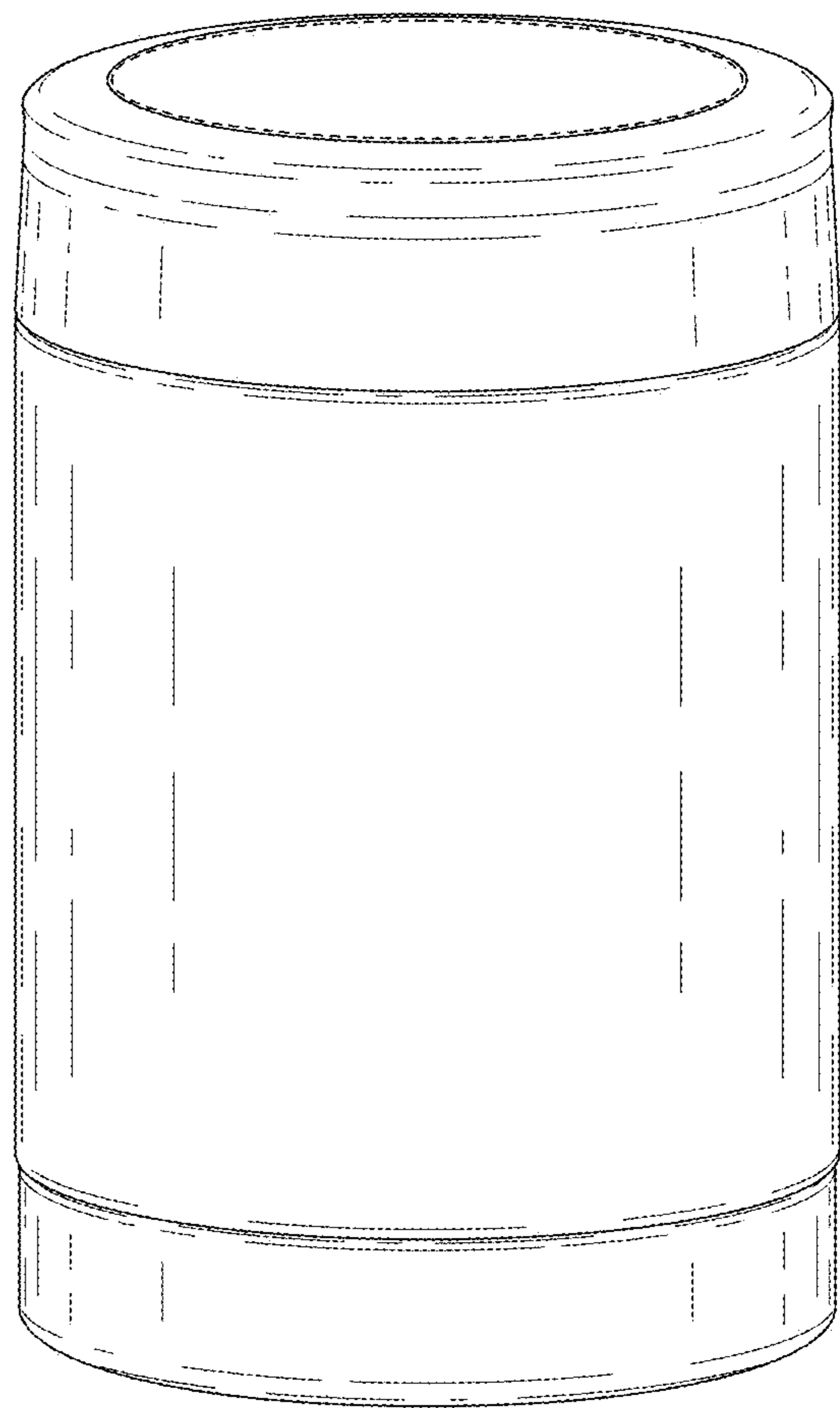


Fig. 2

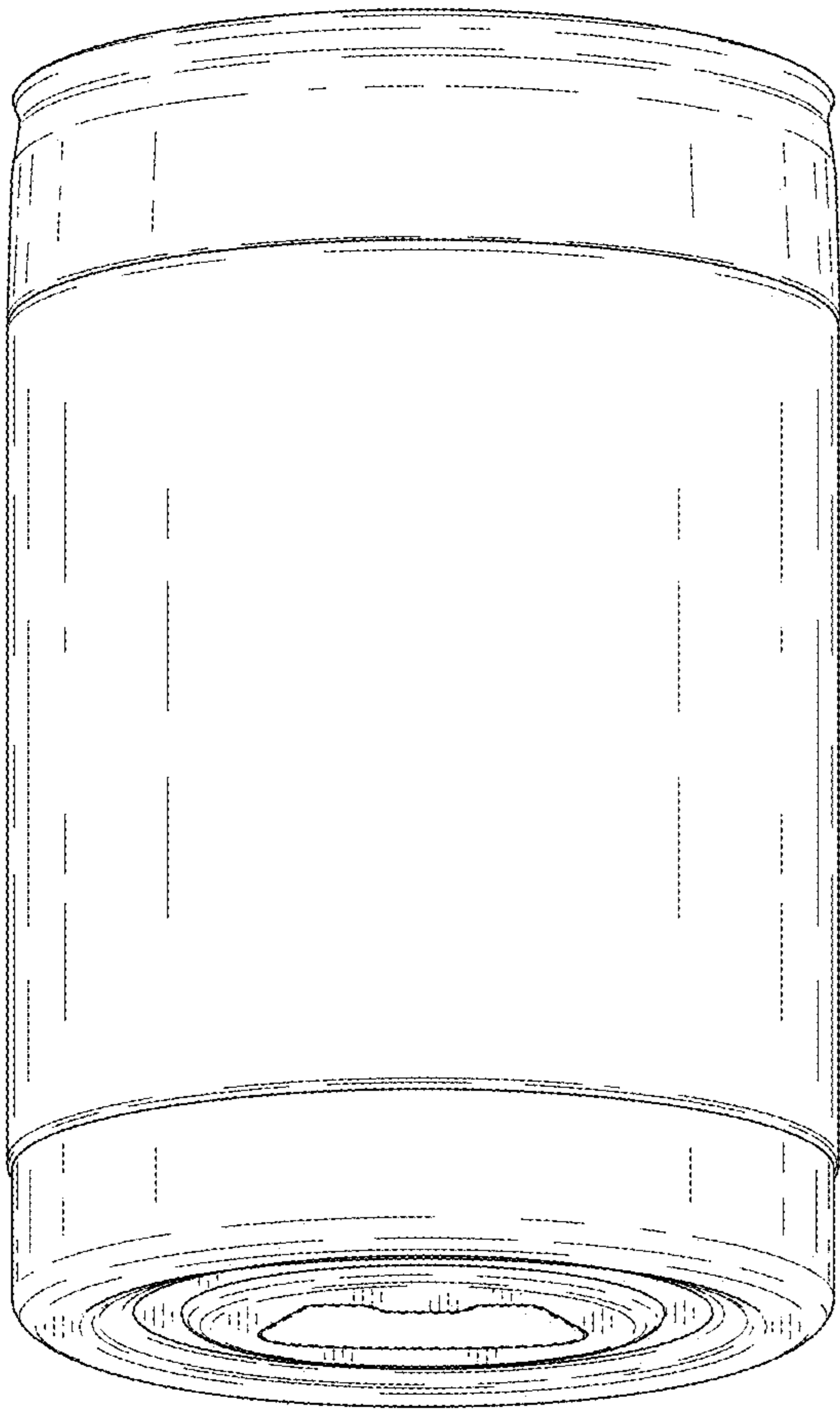


Fig. 3

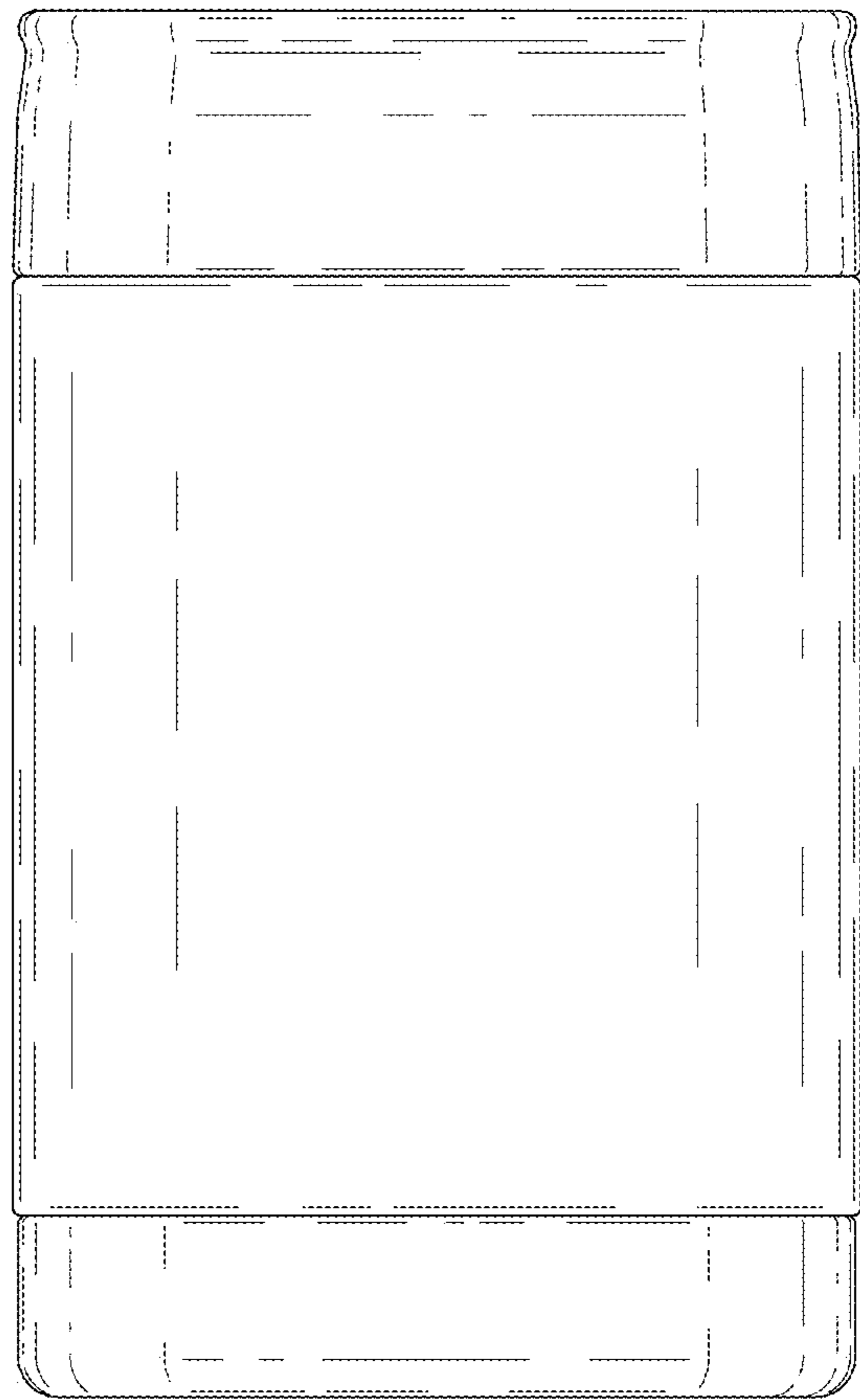


Fig. 4

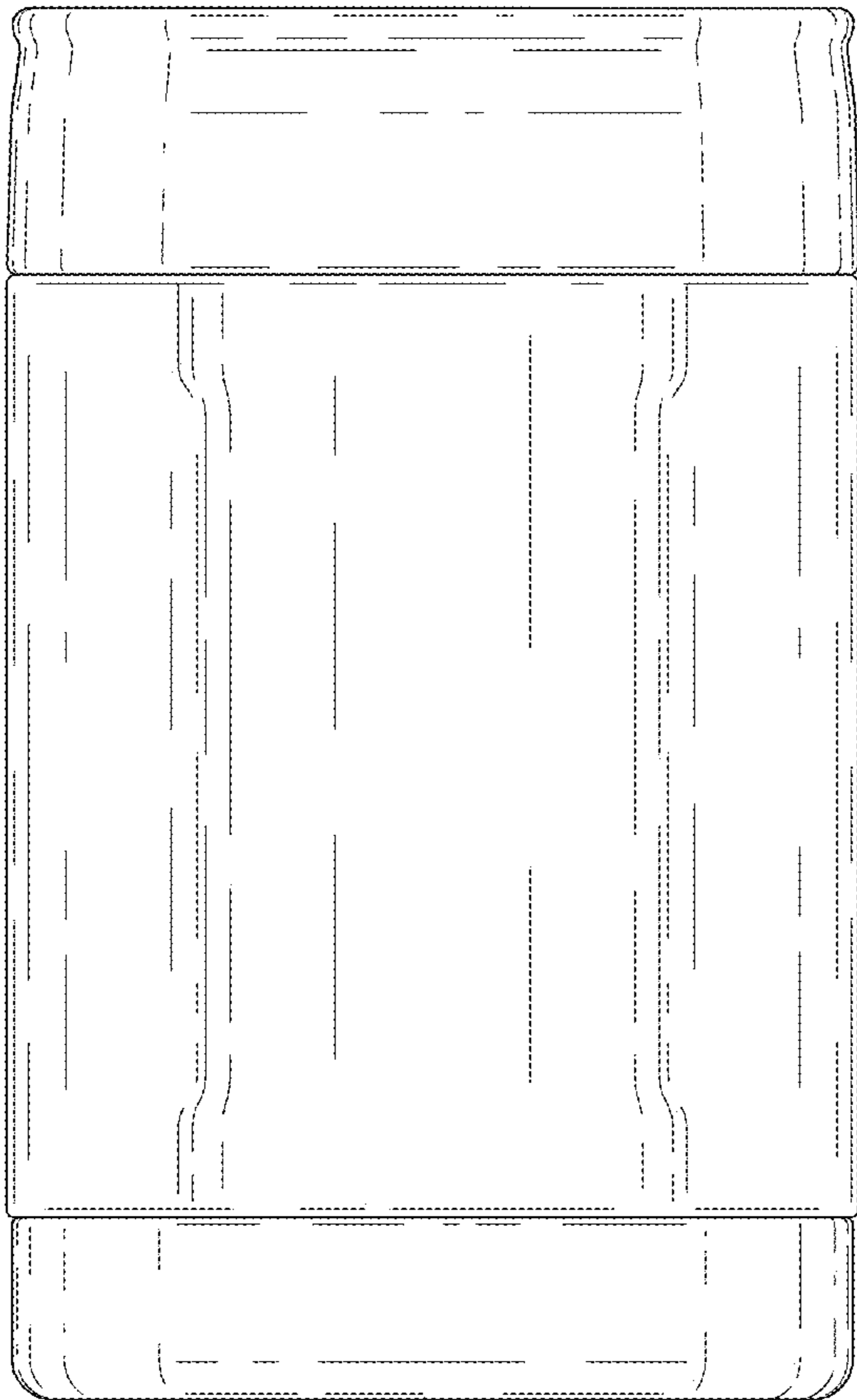


Fig. 5

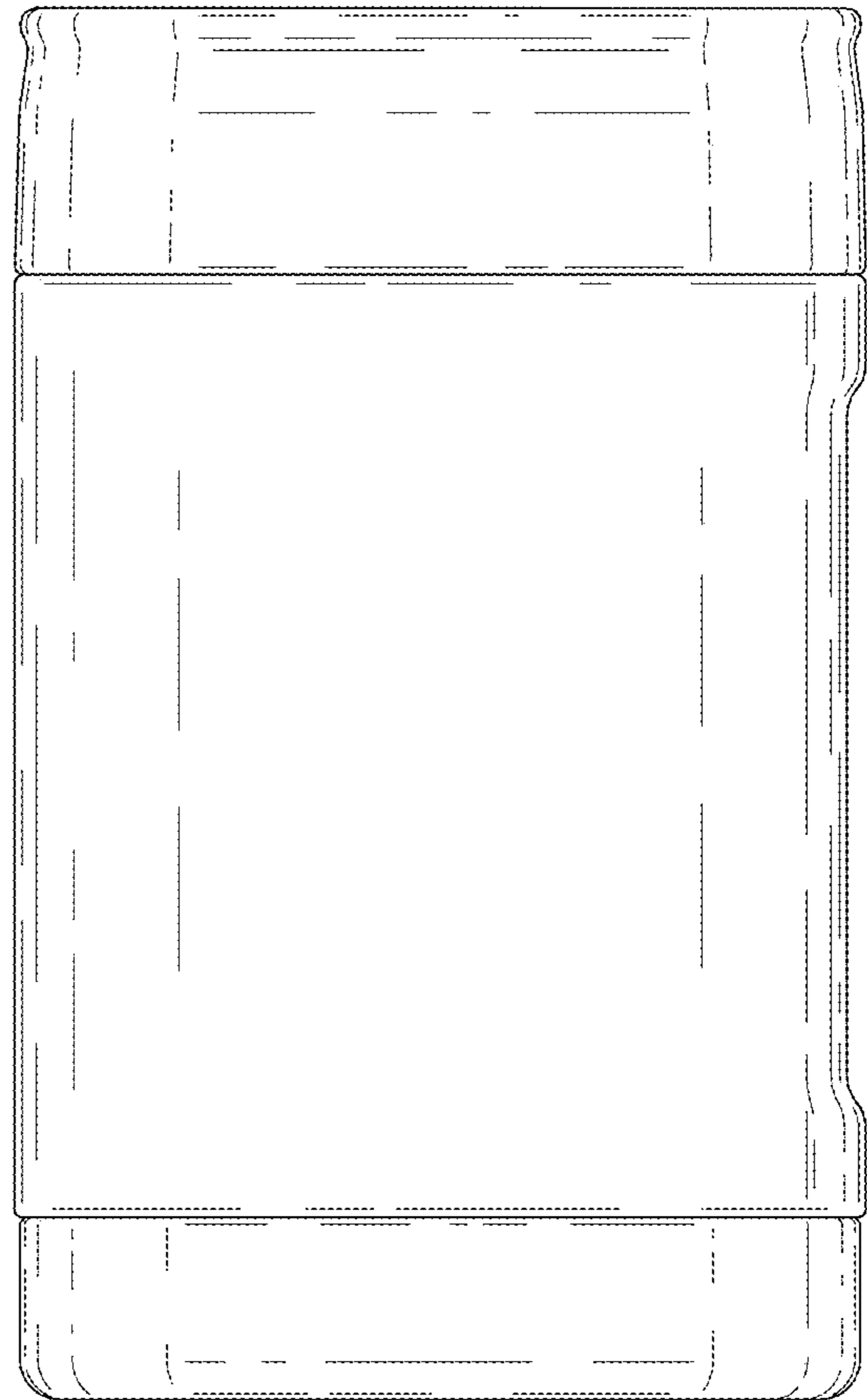


Fig. 6

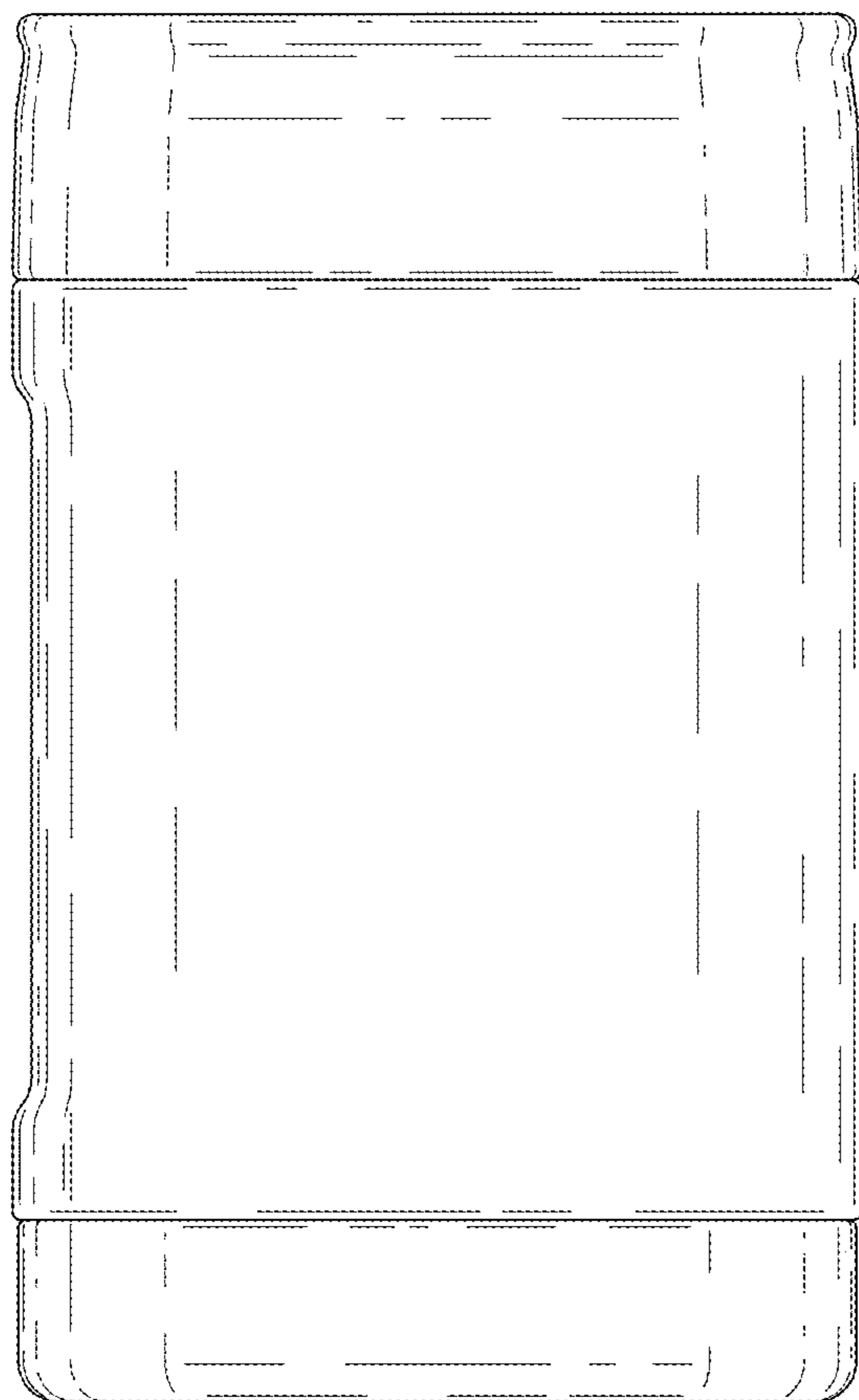


Fig. 7

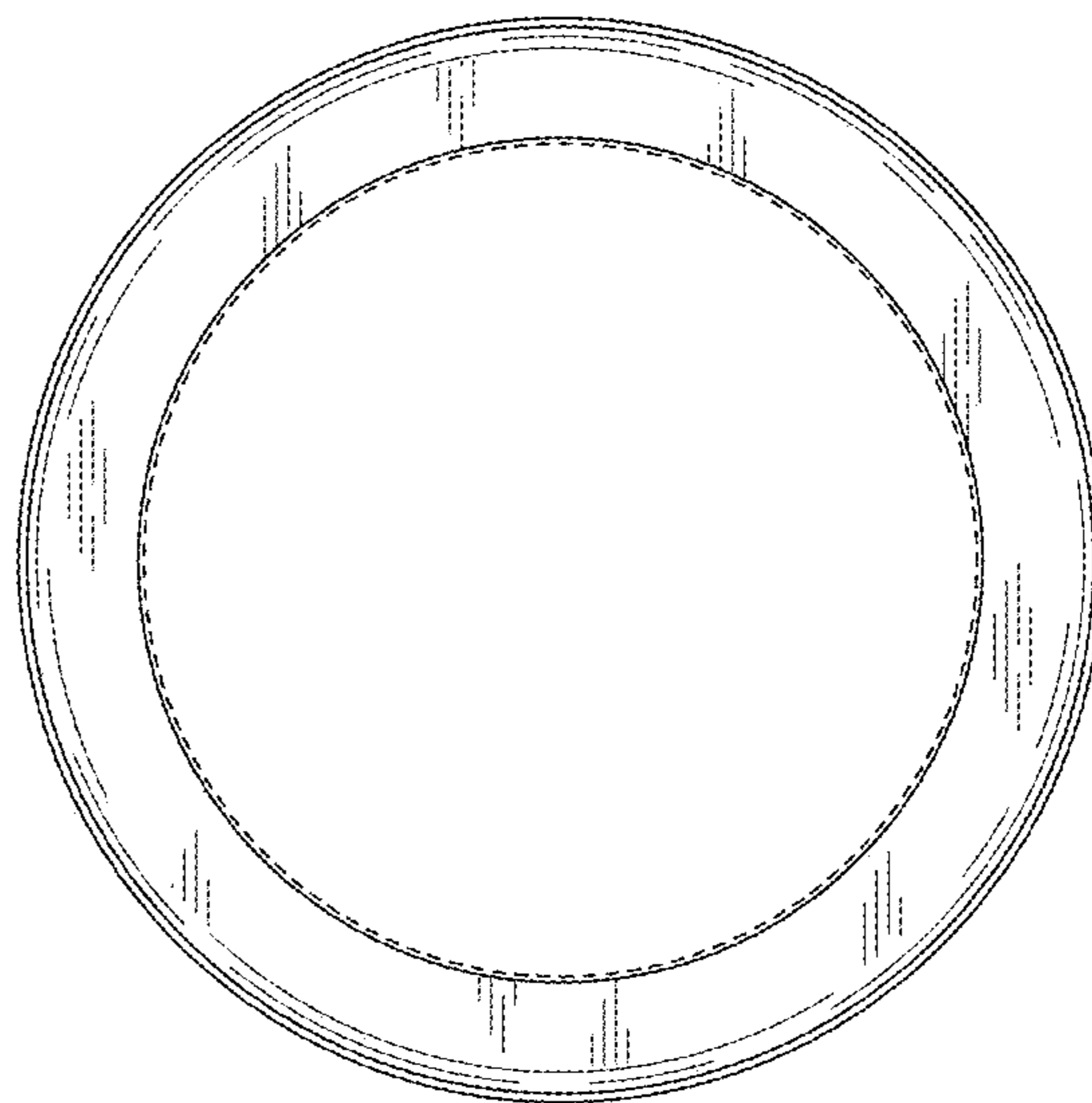


Fig. 8

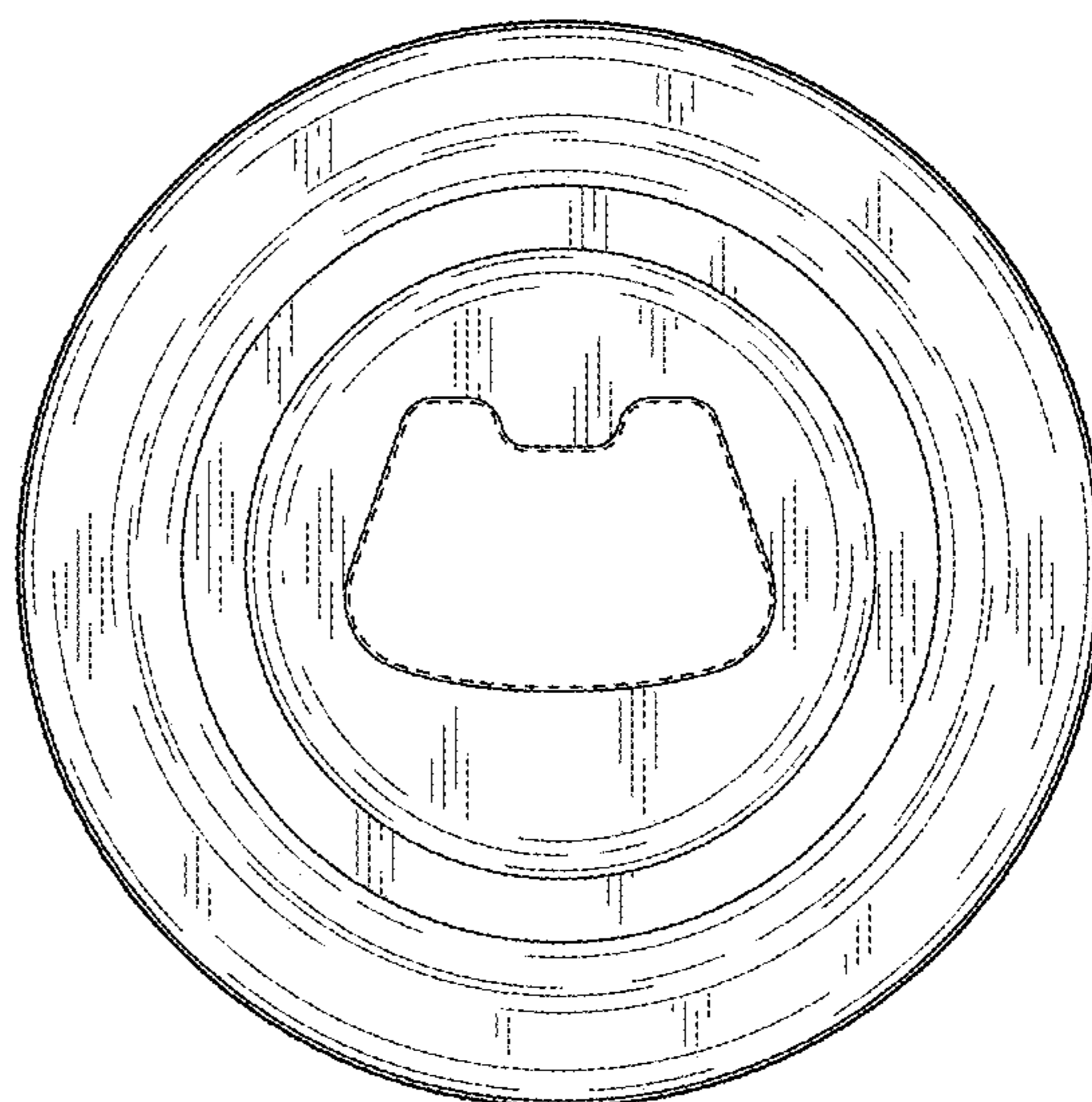


Fig. 9