



US00D957201S

(12) **United States Design Patent** (10) **Patent No.:** **US D957,201 S**
Schlossberg (45) **Date of Patent:** **** Jul. 12, 2022**

(54) **BEVERAGE CONTAINER COVER**

D929,193 S * 8/2021 McGinnis D7/624.2
D935,777 S * 11/2021 Guo D3/316
2021/0145196 A1* 5/2021 Moody B65D 81/3881

(71) Applicant: **Robert Schlossberg**, Fridley, MN (US)

(72) Inventor: **Robert Schlossberg**, Fridley, MN (US)

(**) Term: **15 Years**

(21) Appl. No.: **29/755,601**

(22) Filed: **Oct. 21, 2020**

(51) **LOC (13) Cl.** **07-01**

(52) **U.S. Cl.**
USPC **D7/607; D7/624.1**

(58) **Field of Classification Search**
USPC D7/300, 300.1, 312, 313, 354, 355, 360,
D7/361, 387, 391, 392, 396.2, 509, 510,
D7/511, 512, 513, 523, 533, 536,
D7/601-608, 619.1, 622, 624.1-624.3,
D7/625, 629, 630, 709; D3/202,
D3/215-217, 272-274, 276, 279, 283,
D3/284, 294, 295, 299, 301, 318, 327;
D9/500, 503, 504, 529, 530, 537-540,
D9/549
CPC B65D 43/02; B65D 2543/00092; B65D
81/3876

See application file for complete search history.

(56) **References Cited**

U.S. PATENT DOCUMENTS

D330,487 S * 10/1992 Hoelterscheidt D7/603
D375,870 S * 11/1996 Stonehouse D7/630
D530,984 S * 10/2006 Bolden D7/624.3
D664,008 S * 7/2012 Welch D7/606
D807,115 S * 1/2018 Gallagher D7/619.1
D816,428 S * 5/2018 Winter D7/624.2
D827,389 S * 9/2018 McClure D7/608
D840,195 S * 2/2019 Seiders D7/620
D846,358 S * 4/2019 Winter D7/624.2
D889,912 S * 7/2020 Laukala D7/608
D912,477 S * 3/2021 Agha D7/607

OTHER PUBLICATIONS

6 Pack Hide a Beer Can Cover, first available Dec. 11, 2020, Amazon, [online], [site visited Apr. 7, 2022], Available from internet URL: <https://www.amazon.com/Hide-Beer-Can-Cover-Sporting/dp/B08QDMGBW6> (Year: 2020).*

Holdmabeer Silicone Beer Can Cover, first available Jun. 9, 2021, Amazon, [online], [site visited Apr. 7, 2022], Available from internet URL: <https://www.amazon.ca/Holdmabeer-Silicone-Beer-Can-Cover/dp/B08DFR4XDP> (Year: 2021).*

* cited by examiner

Primary Examiner — Mary Ann Calabrese
Assistant Examiner — Natalya M Rapundalo

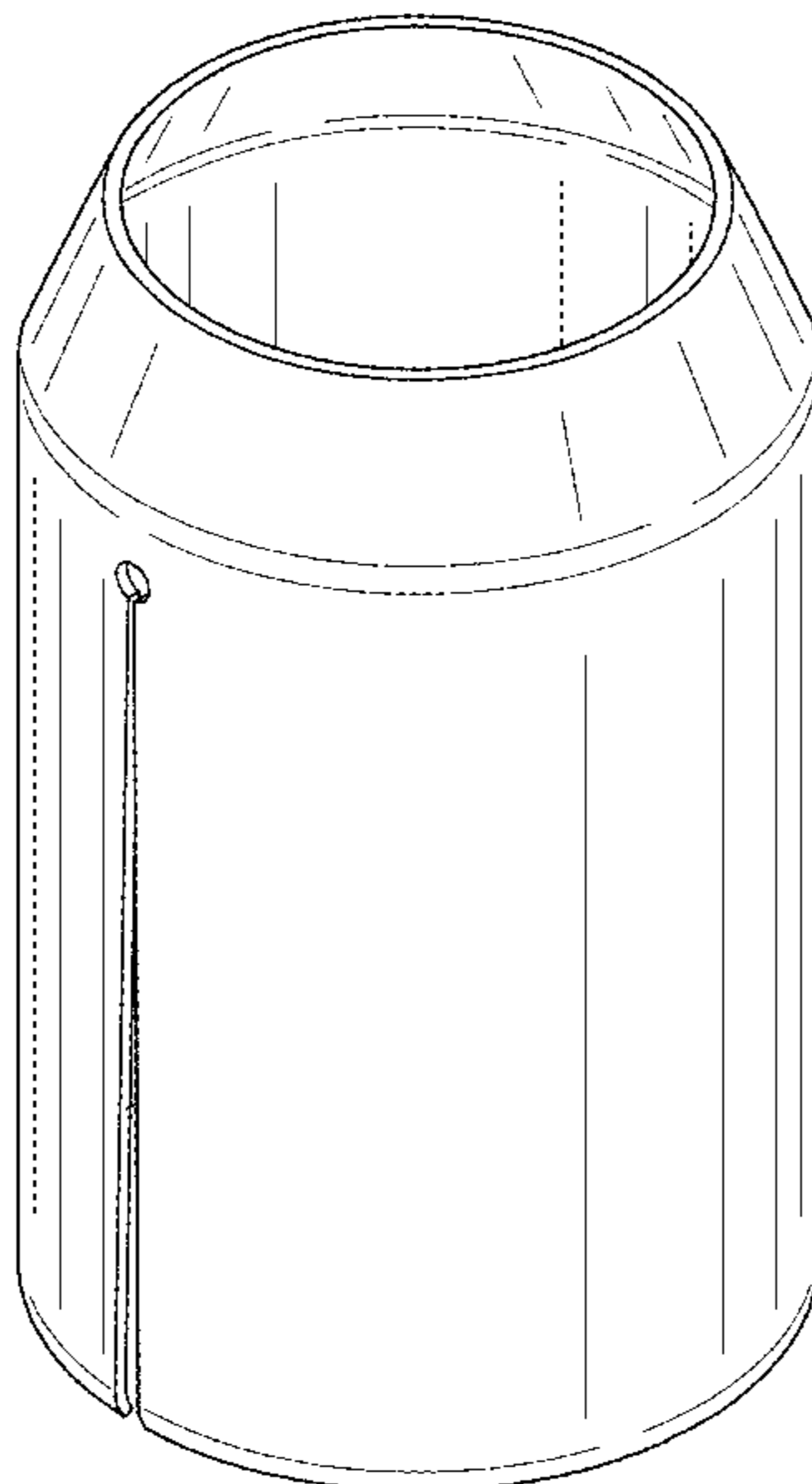
(57) **CLAIM**

The ornamental design for a beverage container cover, as shown and described.

DESCRIPTION

FIG. 1 is a top front side perspective view of a beverage container cover showing my new design;
FIG. 2 is a bottom rear side perspective view of the beverage container cover;
FIG. 3 is a front view of the beverage container cover;
FIG. 4 is a rear view of the beverage container cover, left side and right side views being identical;
FIG. 5 is a top view of the beverage container cover;
FIG. 6 is a bottom view of the beverage container cover;
FIG. 7 is a top rear perspective view of the beverage container cover; and,
FIG. 8 is a cross-sectional view of the beverage container cover taken along line 8-8 of FIG. 3.

1 Claim, 6 Drawing Sheets



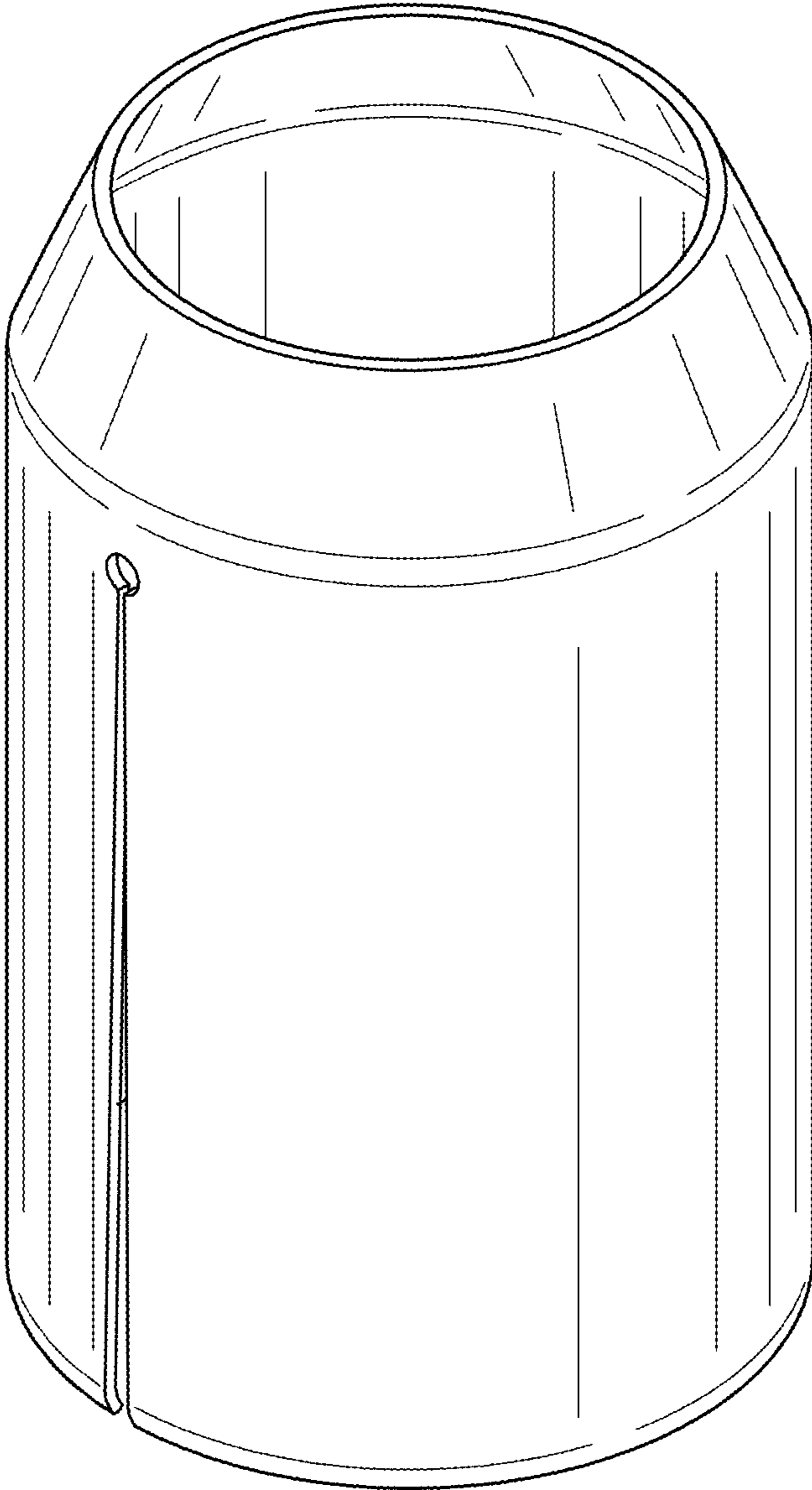


FIG. 1

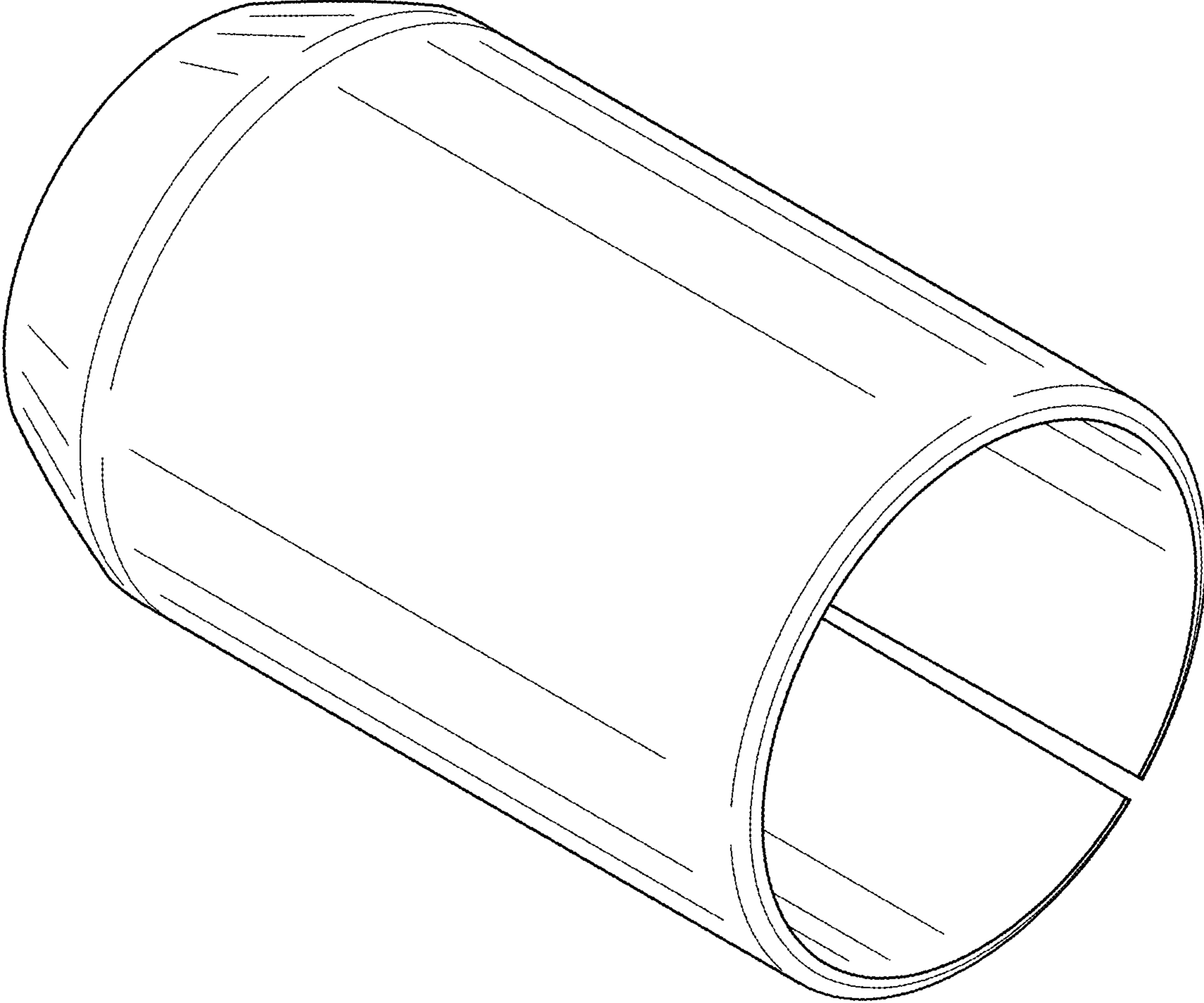


FIG. 2

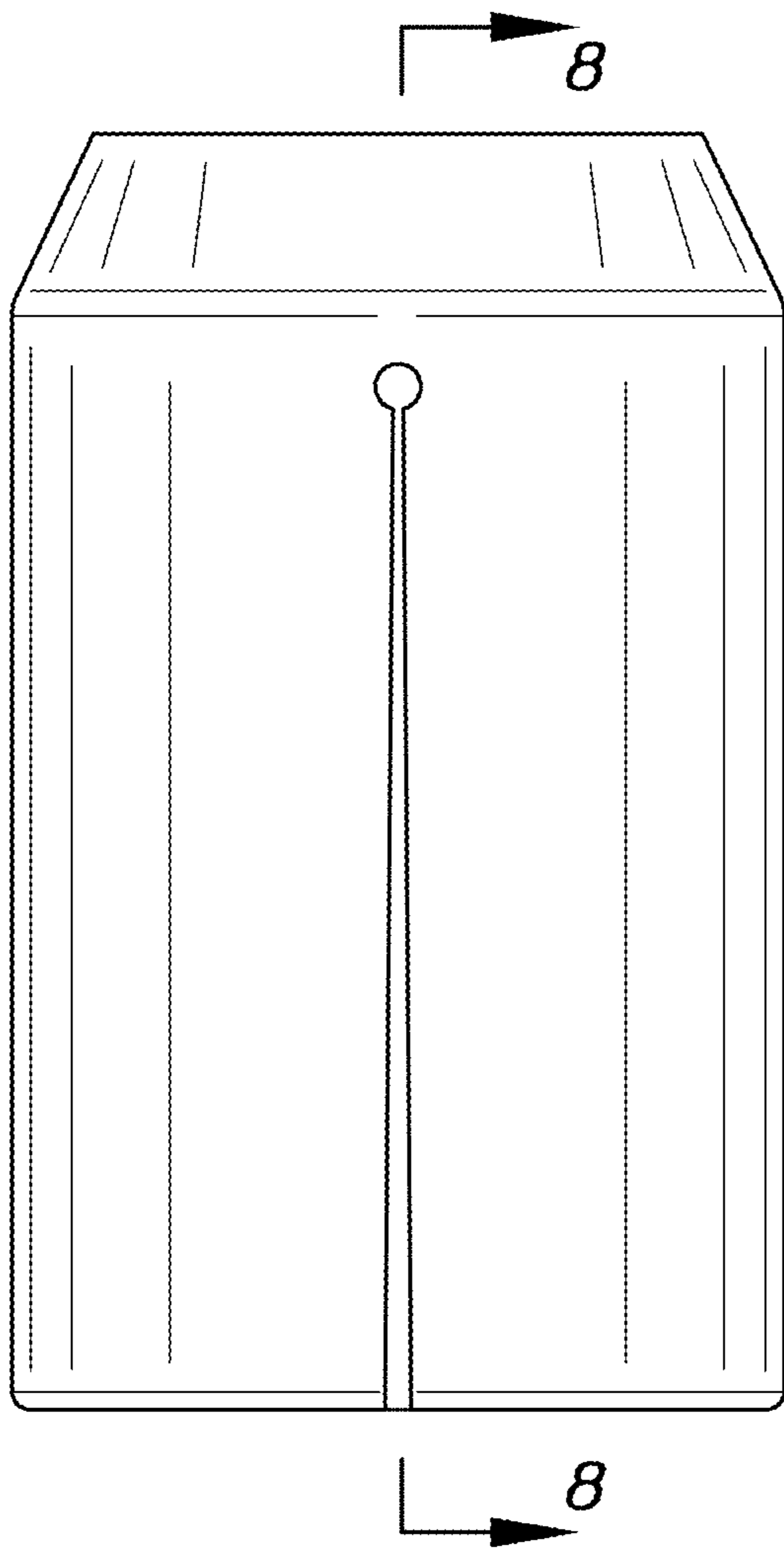


FIG. 3

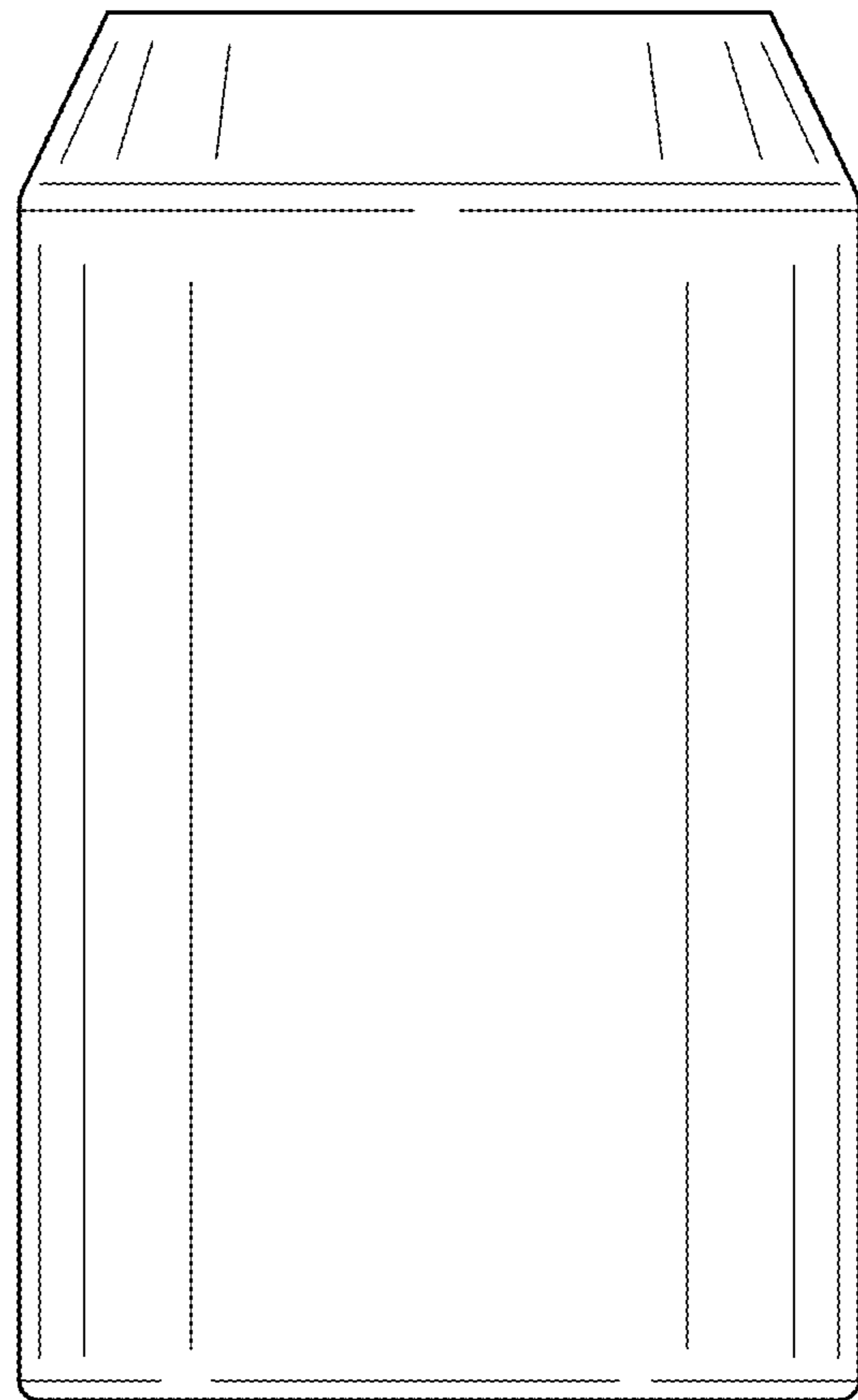


FIG. 4

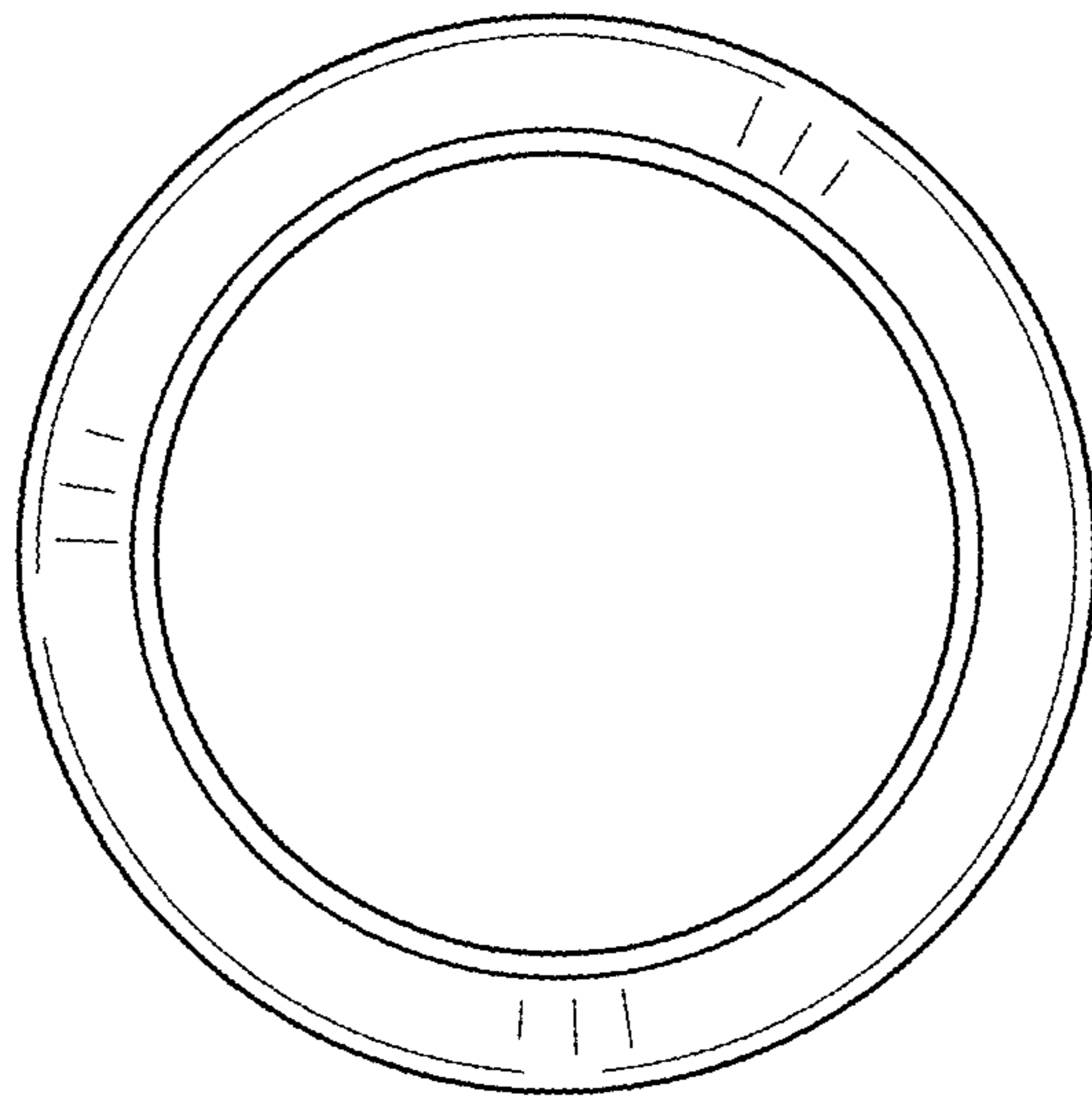


FIG. 5

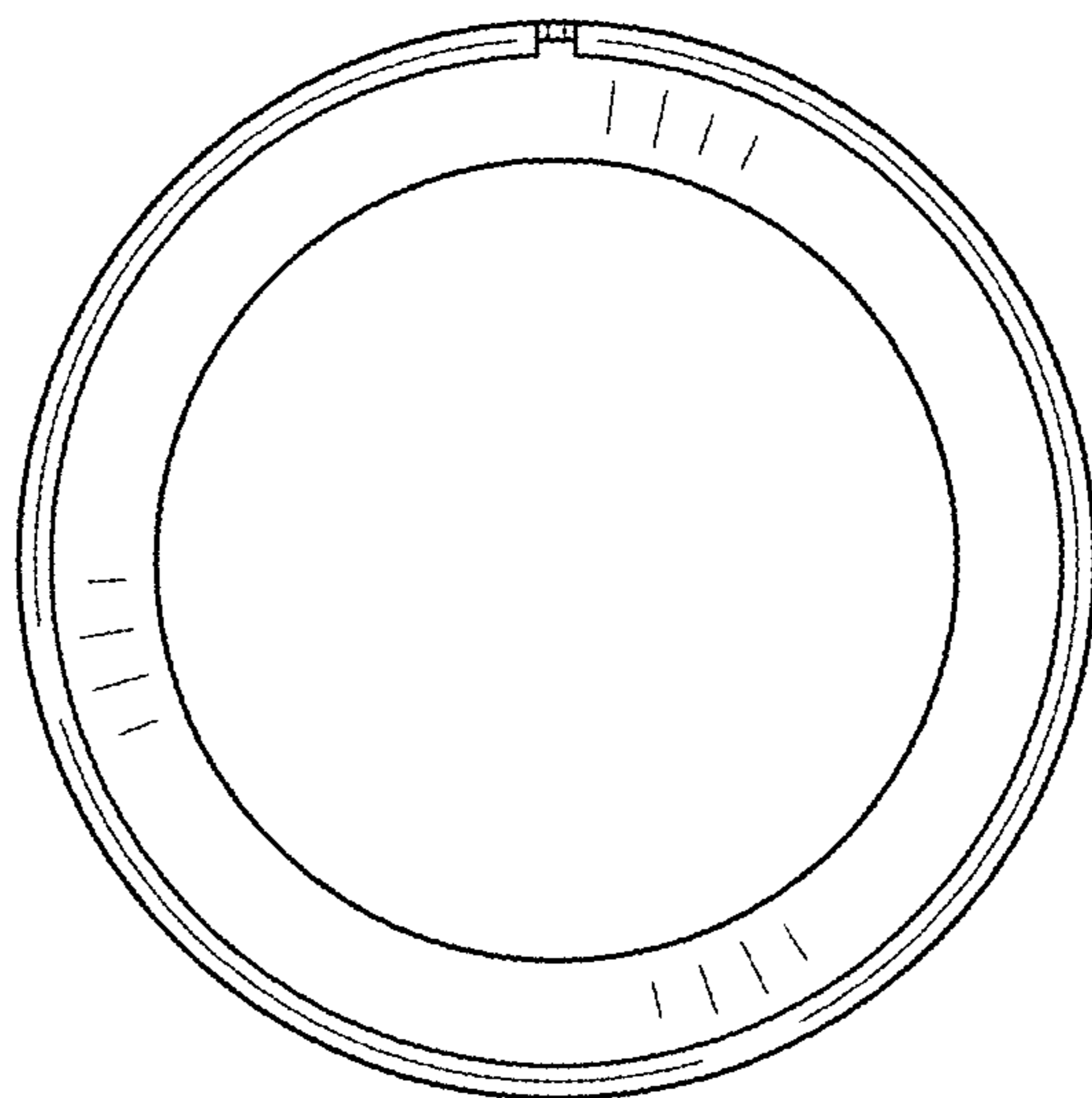


FIG. 6

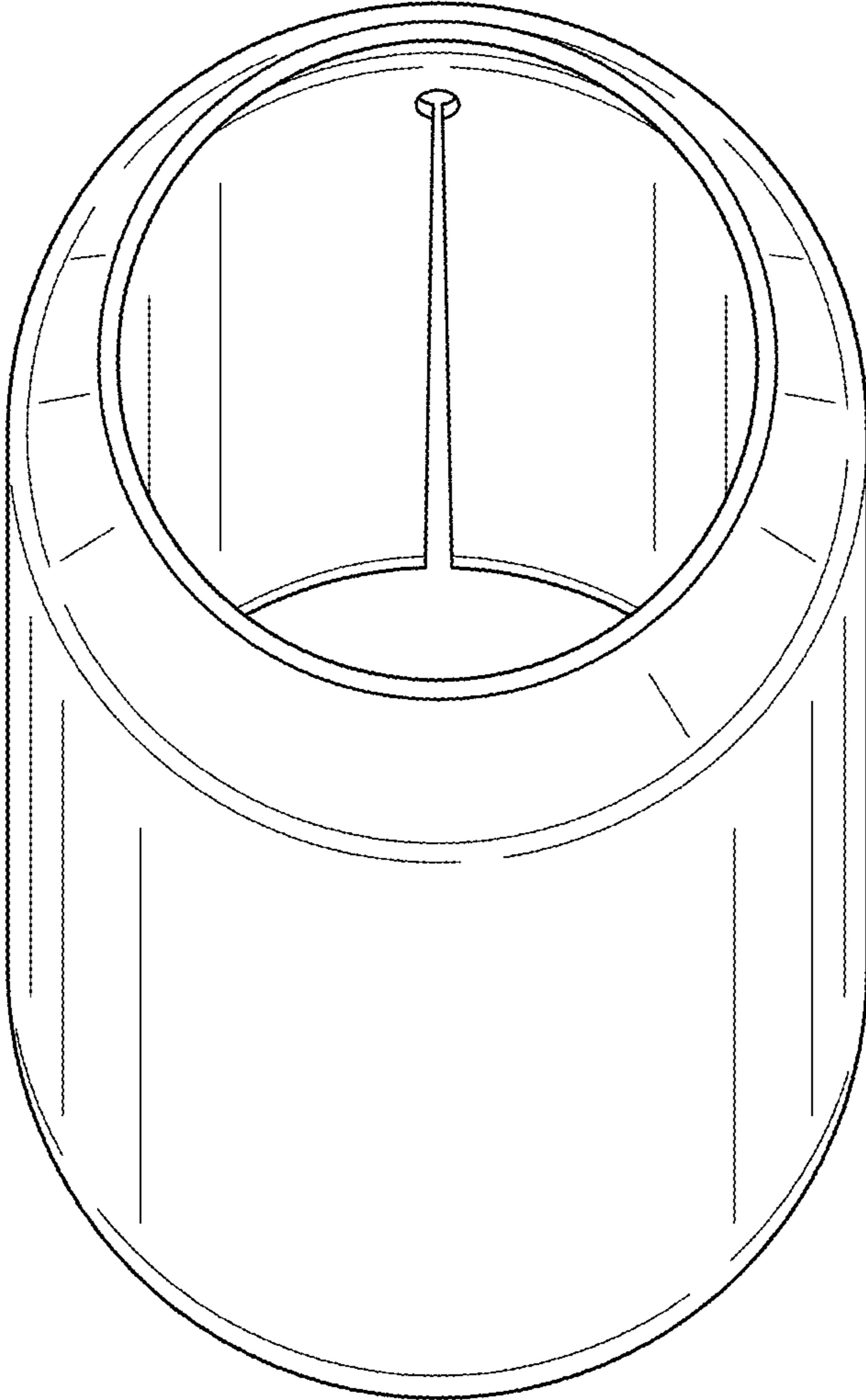


FIG. 7

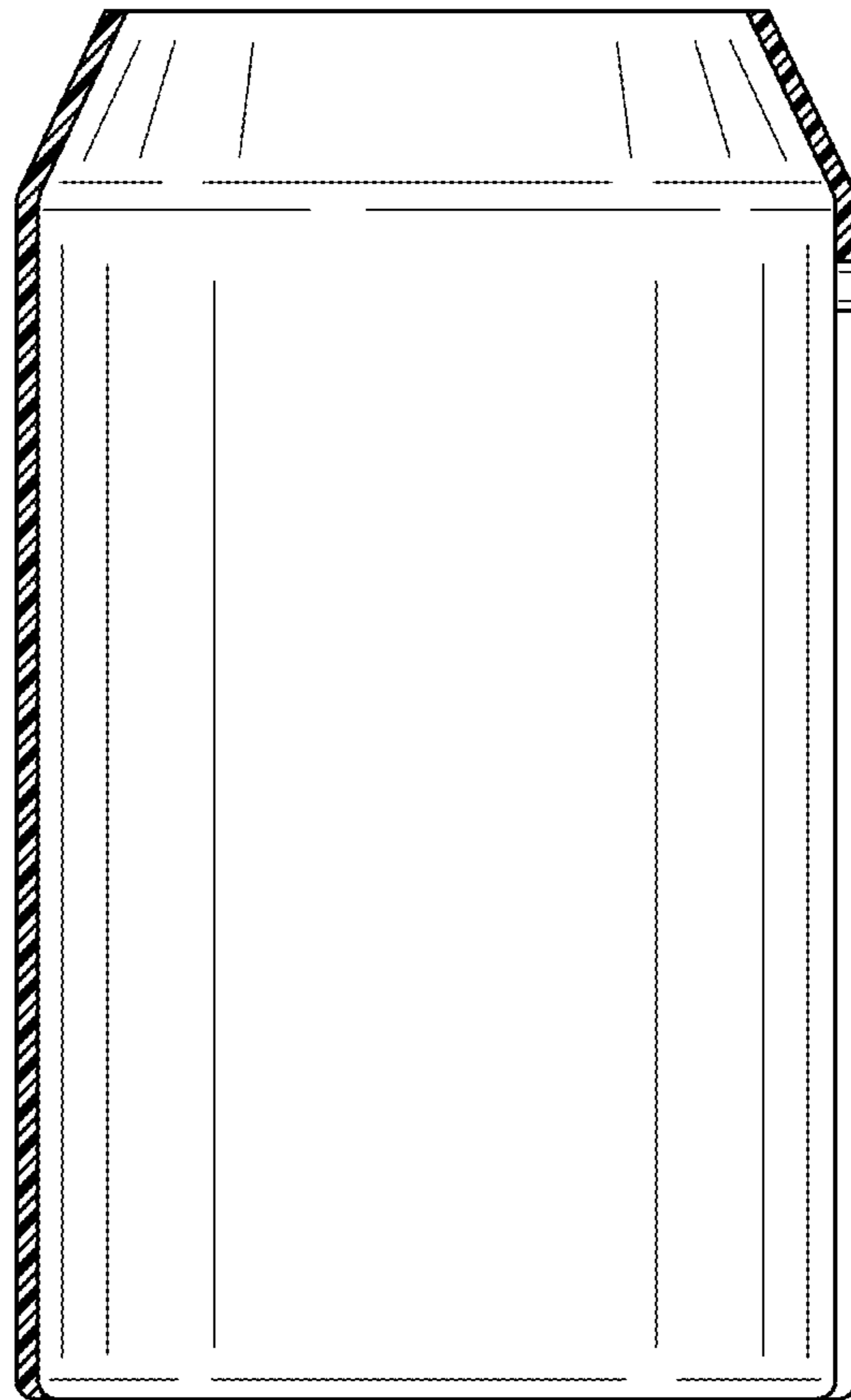


FIG. 8