



US00D957199S

(12) **United States Design Patent** (10) **Patent No.:** **US D957,199 S**
Owens et al. (45) **Date of Patent:** **** Jul. 12, 2022**

(54) **PRODUCT TRANSPORT CONTAINER**

D828,108 S * 9/2018 Bowling D7/605
D837,611 S * 1/2019 Lane D7/605
D842,048 S * 3/2019 Wells D7/607

(71) Applicant: **VESTURE LLC**, Charlotte, NC (US)

(Continued)

(72) Inventors: **Byron C. Owens**, Asheboro, NC (US);
Glinda Goodson, Asheboro, NC (US);
Miso Lim, Asheboro, NC (US); **Henry Chad Brown**, Asheboro, NC (US)

Primary Examiner — Joseph Kukella
Assistant Examiner — Darryl J Dardenne
(74) *Attorney, Agent, or Firm* — Chad D. Tillman;
Tillman Wright, PLLC

(73) Assignee: **VESTURE LLC**, Charlotte, NC (US)

(**) Term: **15 Years**

(57) **CLAIM**

(21) Appl. No.: **29/737,859**

The ornamental design for a product transport container, as shown and described.

(22) Filed: **Jun. 12, 2020**

DESCRIPTION

(51) **LOC (13) Cl.** **07-07**

(52) **U.S. Cl.**
USPC **D7/605**

(58) **Field of Classification Search**
USPC D3/217, 245, 289, 318; D7/313, 391,
D7/603, 605, 606, 607, 608; D9/434
CPC . B65D 1/00; B65D 1/22; B65D 81/18; B65D
81/2015; B65D 81/2038; B65D 81/38;
B65D 81/3806; B65D 81/3813; B65D
81/3818; B65D 81/383
See application file for complete search history.

FIG. 1 is a front perspective view of a product transport container according to a first embodiment;
FIG. 2 is a front view thereof;
FIG. 3 is a back view thereof, opposite the view of FIG. 2;
FIG. 4 is a first side view thereof;
FIG. 5 is a second side view thereof, opposite the view of FIG. 4;
FIG. 6 is a top plan view thereof;
FIG. 7 is a bottom plan view thereof, opposite the view of FIG. 6;
FIG. 8 is a front perspective view of a product transport container according to a second embodiment;
FIG. 9 is a front view thereof;
FIG. 10 is a back view thereof, opposite the view of FIG. 9;
FIG. 11 is a first side view thereof;
FIG. 12 is a second side view thereof, opposite the view of FIG. 11;
FIG. 13 is a top plan view thereof; and,
FIG. 14 is a bottom plan view thereof, opposite the view of FIG. 13.

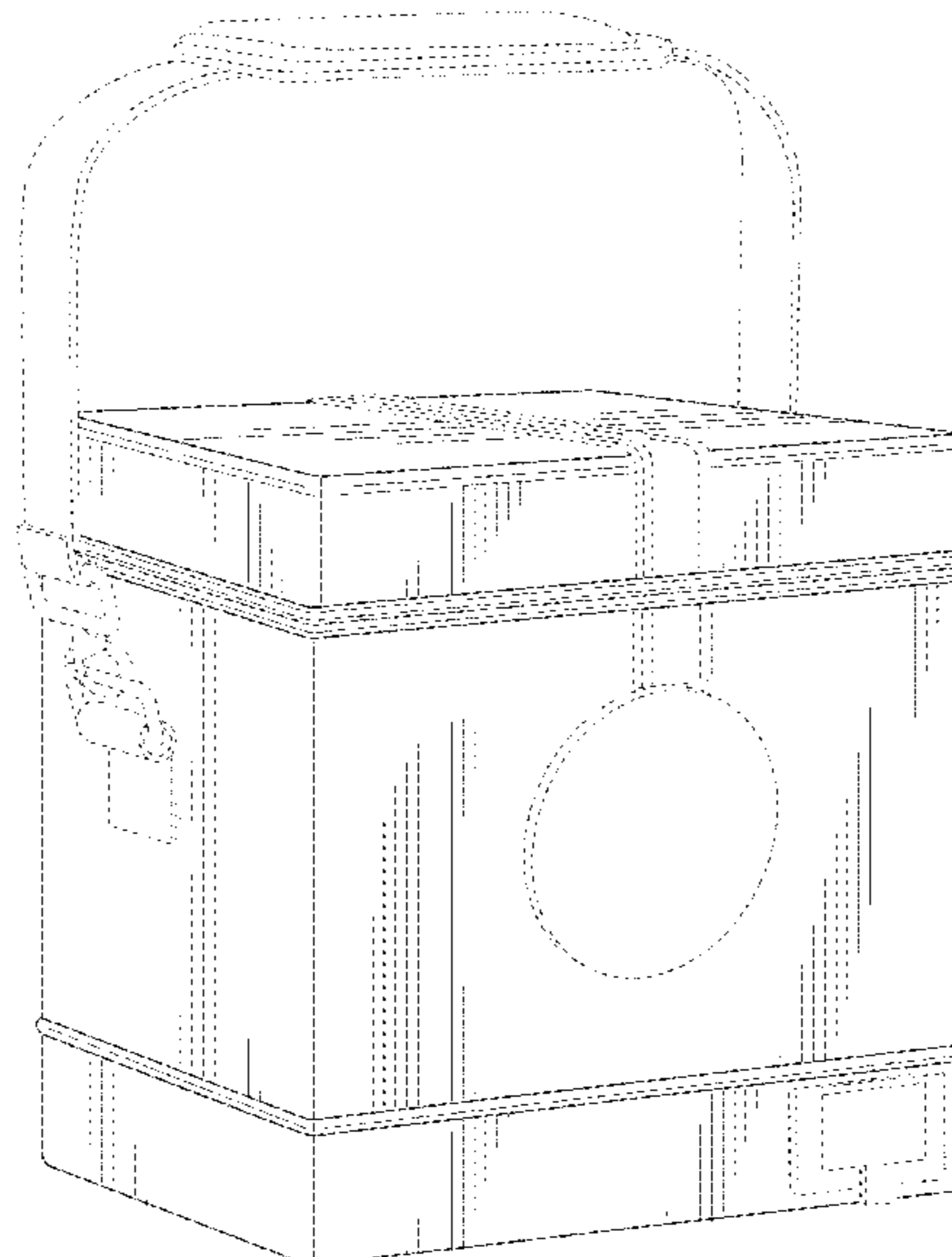
(56) **References Cited**

U.S. PATENT DOCUMENTS

D289,597 S * 5/1987 Averitt D7/605
D328,550 S * 8/1992 Mogil D7/605
D340,621 S * 10/1993 Melk D7/607
D382,771 S * 8/1997 Mogil D7/607
D387,626 S * 12/1997 Melk D7/605
D408,225 S * 4/1999 Hodosh D7/605
D455,934 S * 4/2002 Culp D7/605
D464,235 S * 10/2002 Jeong D3/289
D492,160 S * 6/2004 Lanman D7/605
D619,854 S * 7/2010 Koehler D7/607
D734,643 S * 7/2015 Boroski D7/605
D817,106 S * 5/2018 Larson D7/607

The dashed broken lines are included for the purpose of illustrating the environment of the design only, and form no part of the claimed design.

1 Claim, 11 Drawing Sheets



(56)

References Cited

U.S. PATENT DOCUMENTS

D873,090 S * 1/2020 Jacobsen D7/607
D880,253 S * 4/2020 Jacobsen D7/607
D881,655 S * 4/2020 Jacobsen D7/607
D886,537 S * 6/2020 Jacobsen D7/607
D886,538 S * 6/2020 Jacobsen D7/607
D899,865 S * 10/2020 Shi D7/602
D918,666 S * 5/2021 Munie D7/607
D923,424 S * 6/2021 Rong D3/289
D927,938 S * 8/2021 Meda A45C 7/009
D7/605
D934,636 S * 11/2021 Munie A45C 13/008
D7/607
2007/0261977 A1 * 11/2007 Sakai A45C 13/008
206/315.11
2013/0140120 A1 * 6/2013 Rasmussen A45C 7/009
29/428
2019/0170422 A1 * 6/2019 Dexter F25D 31/002

* cited by examiner

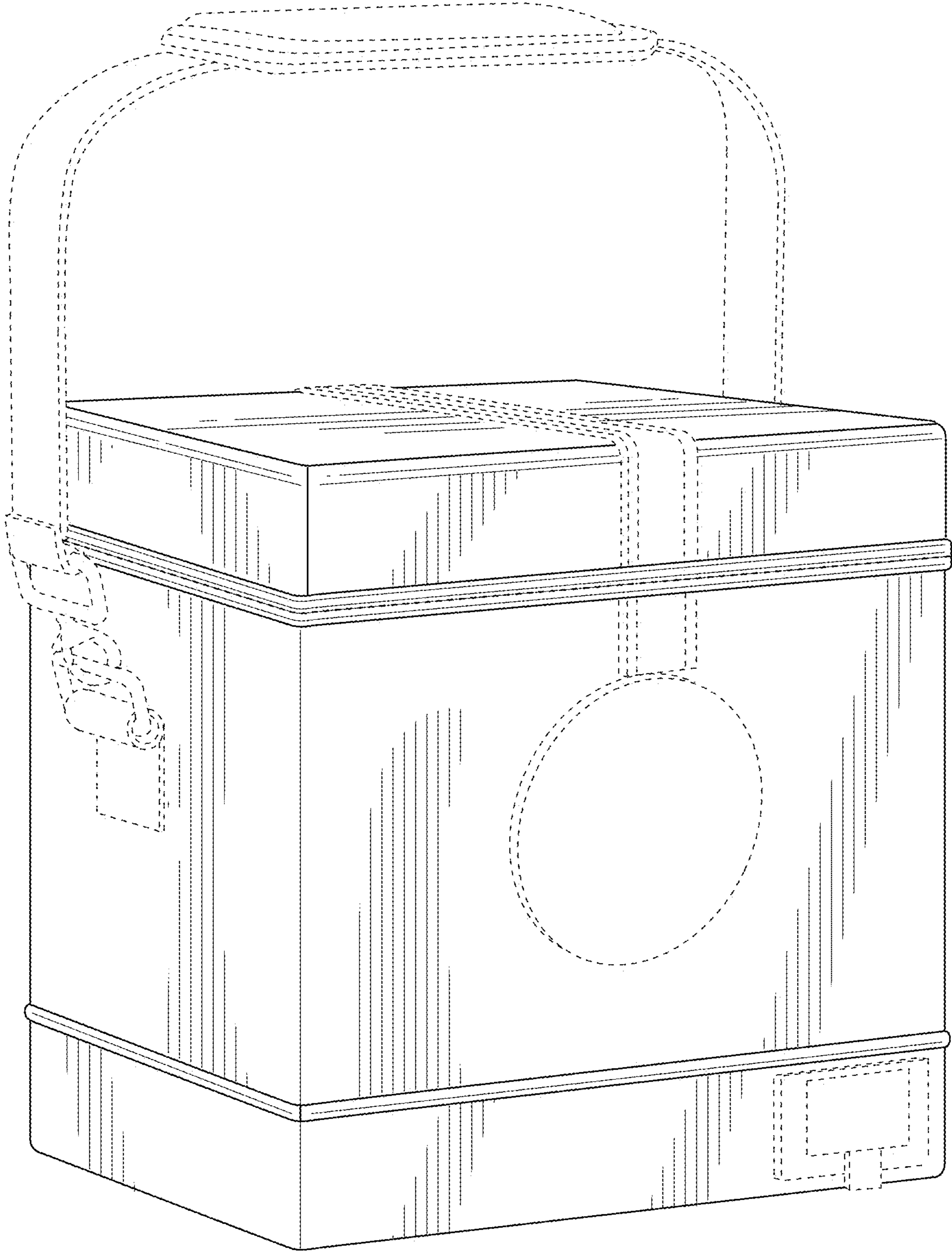


FIG. 1

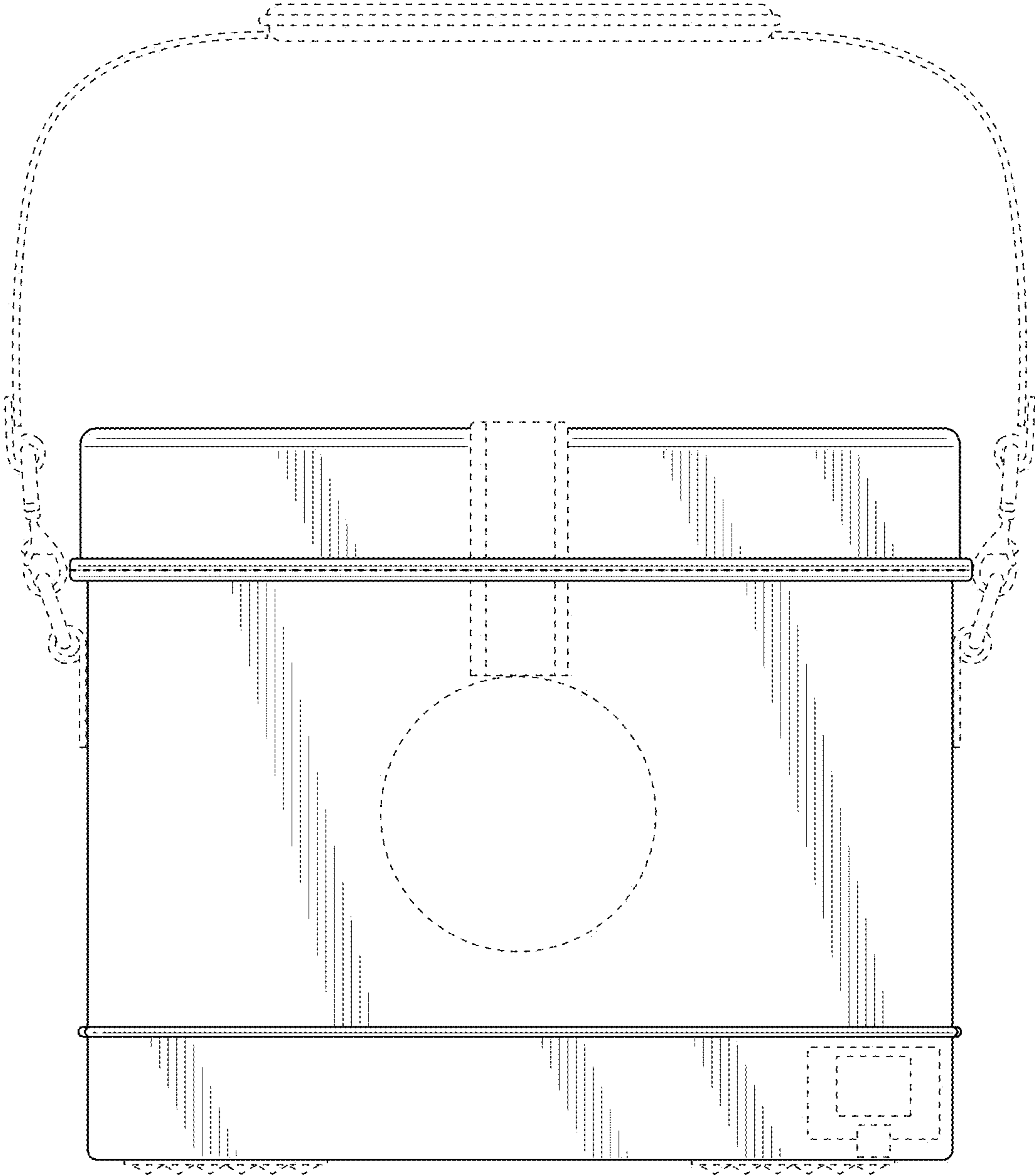


FIG. 2

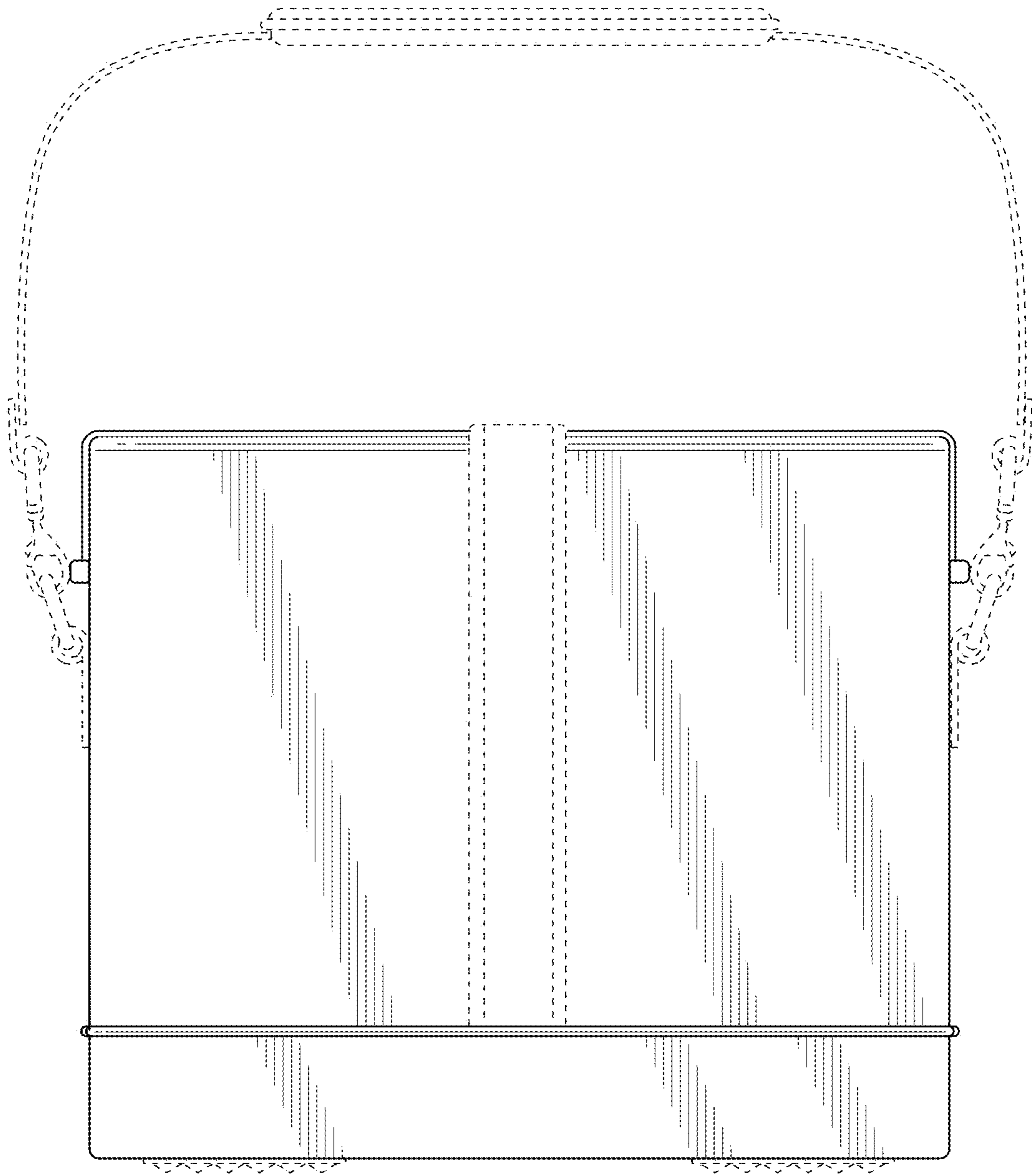


FIG. 3

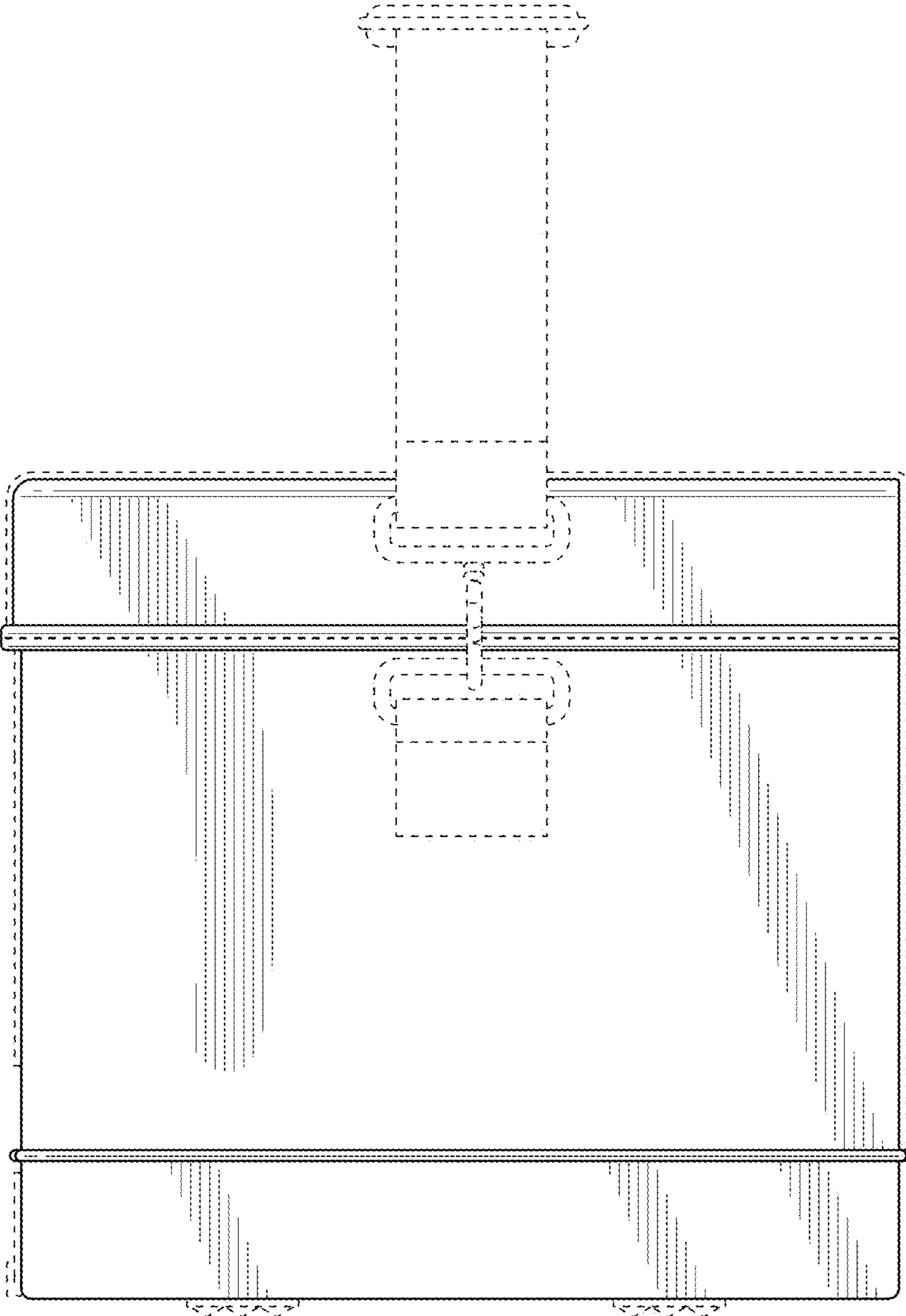


FIG. 4

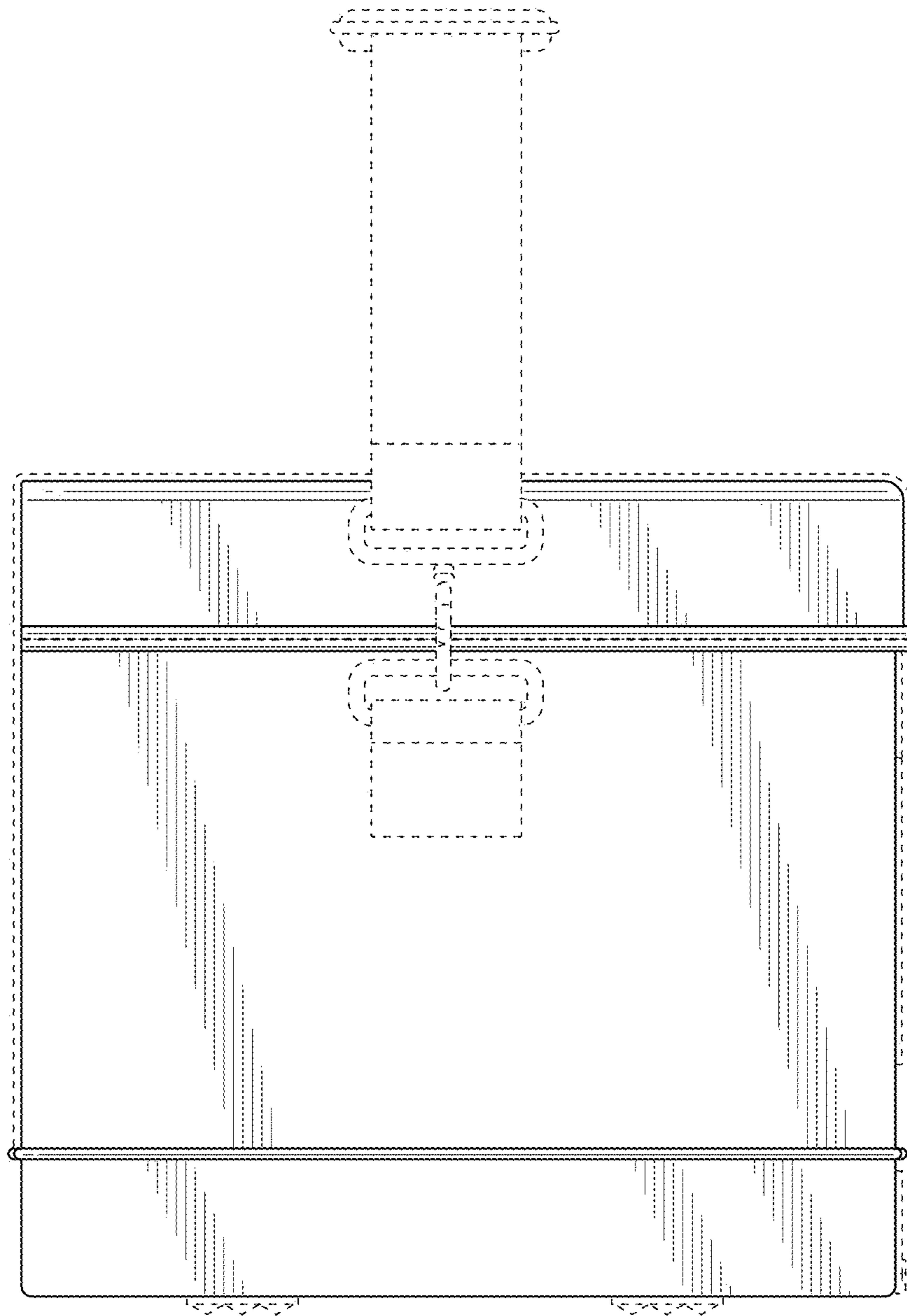


FIG. 5

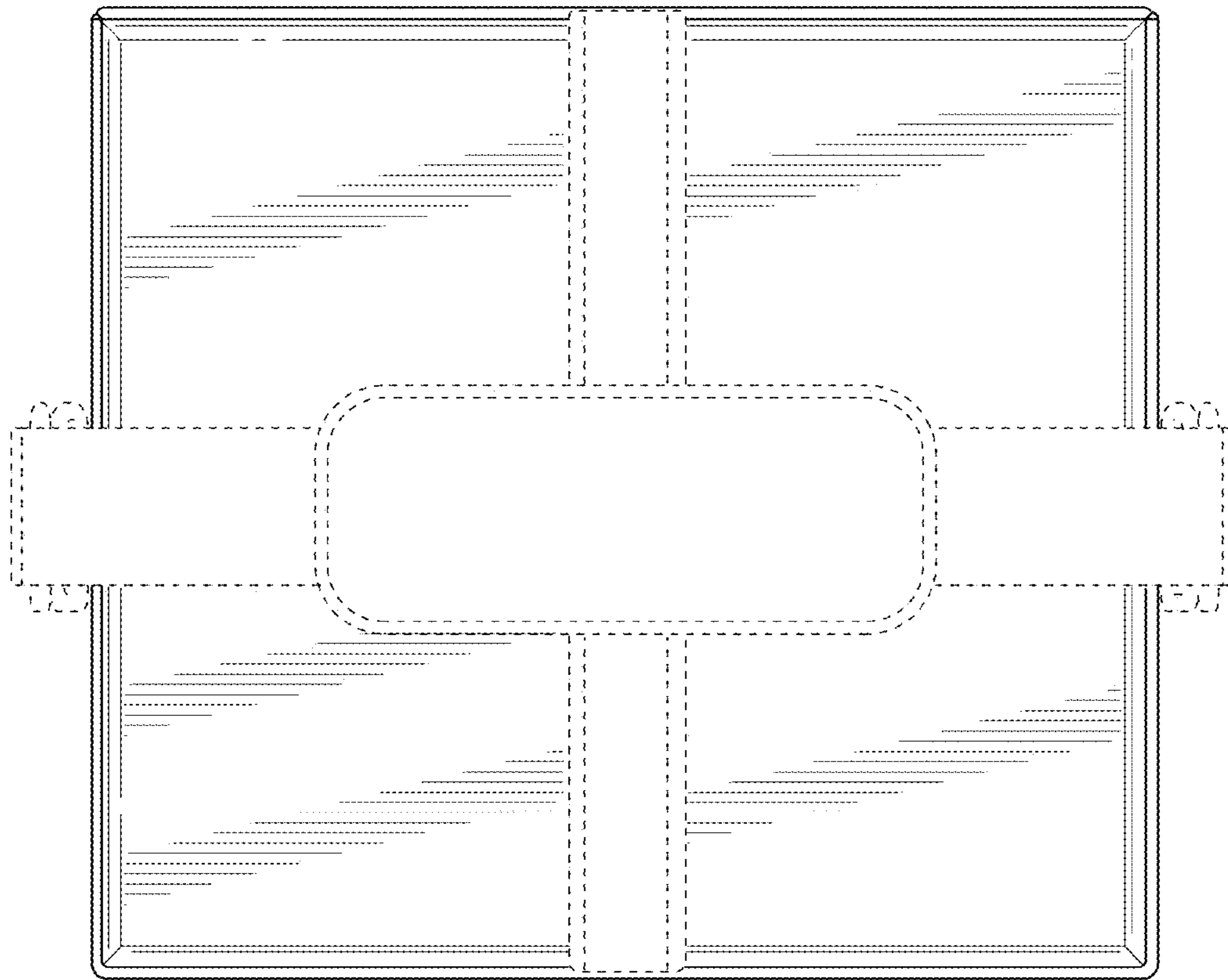


FIG. 6

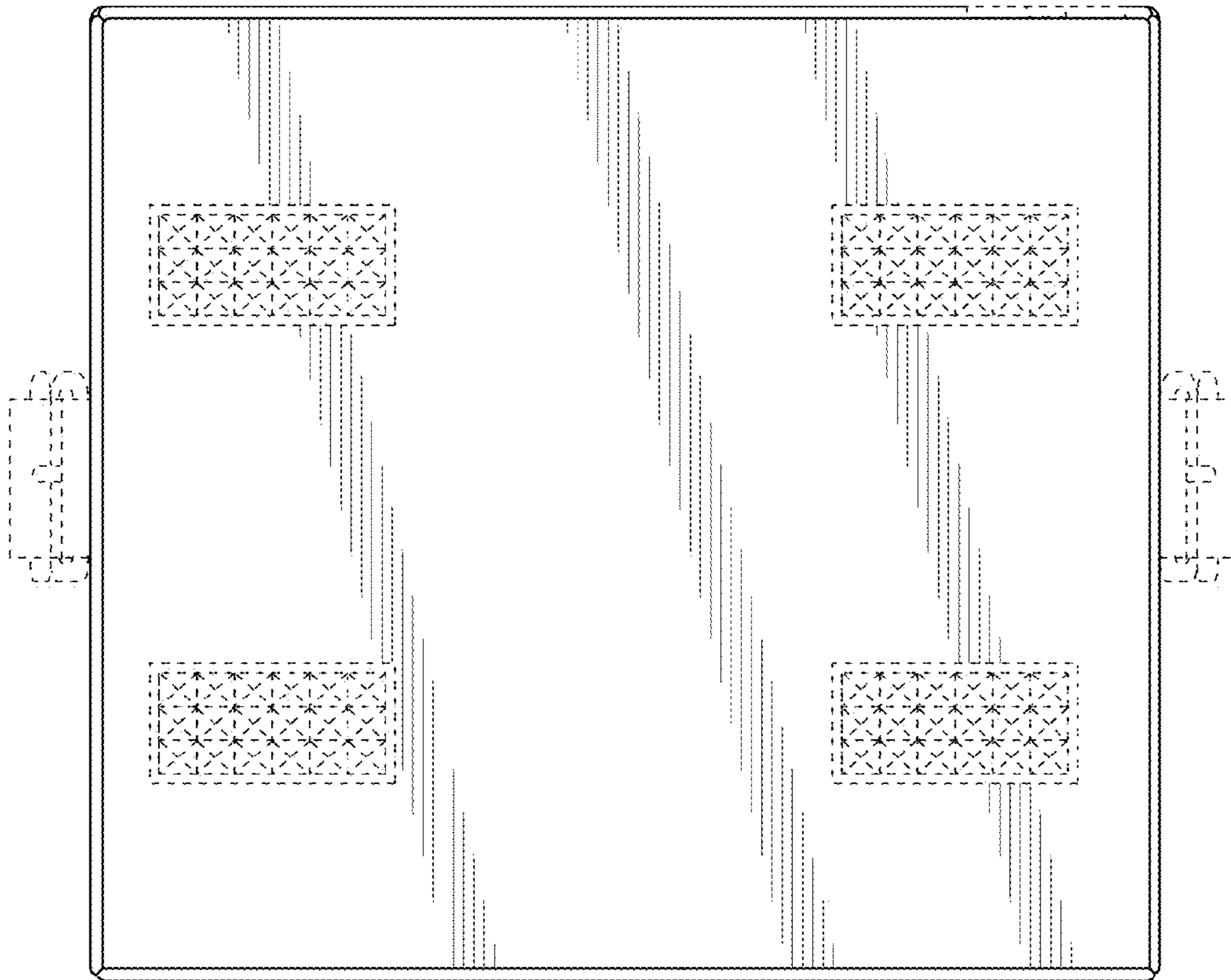


FIG. 7

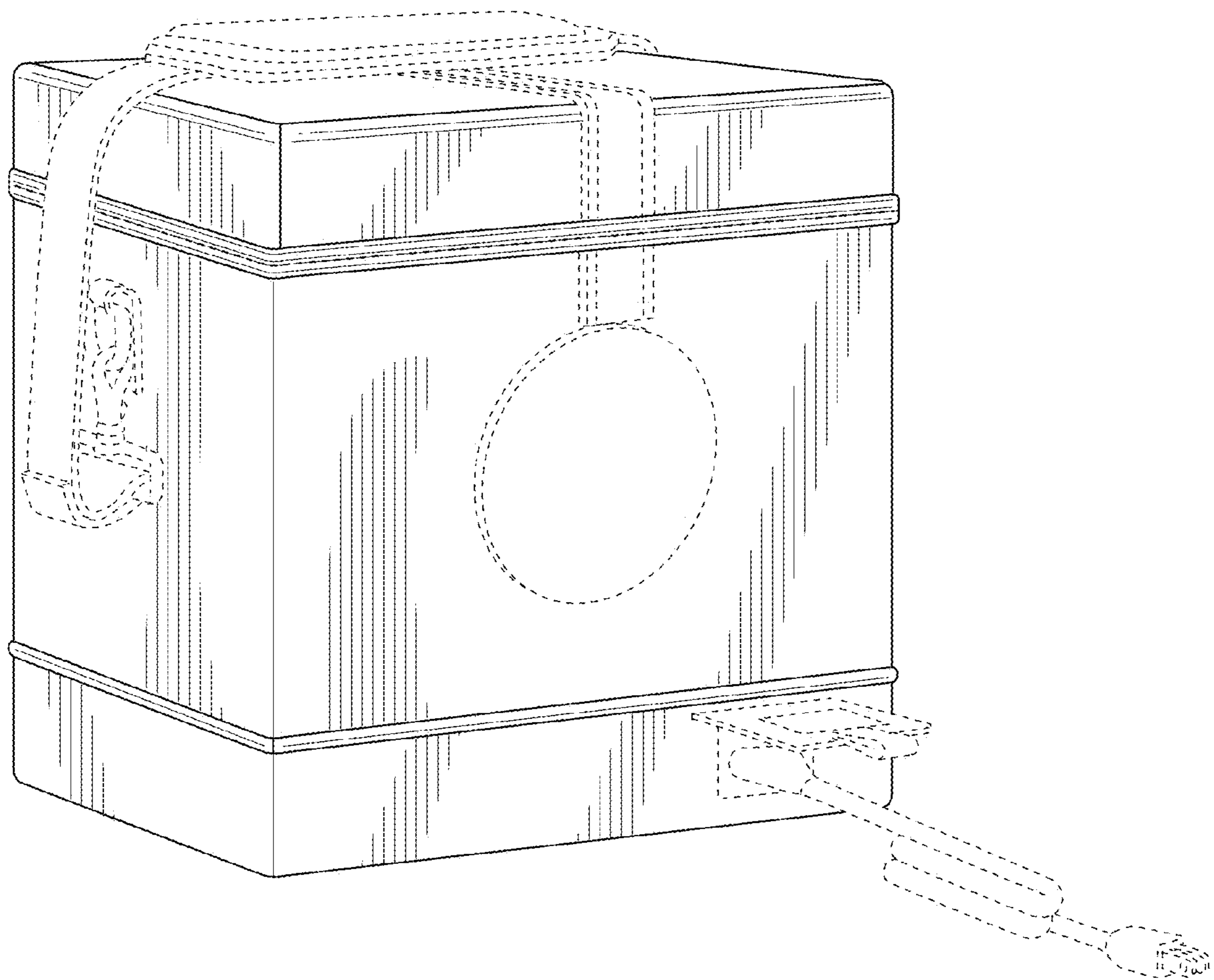


FIG. 8

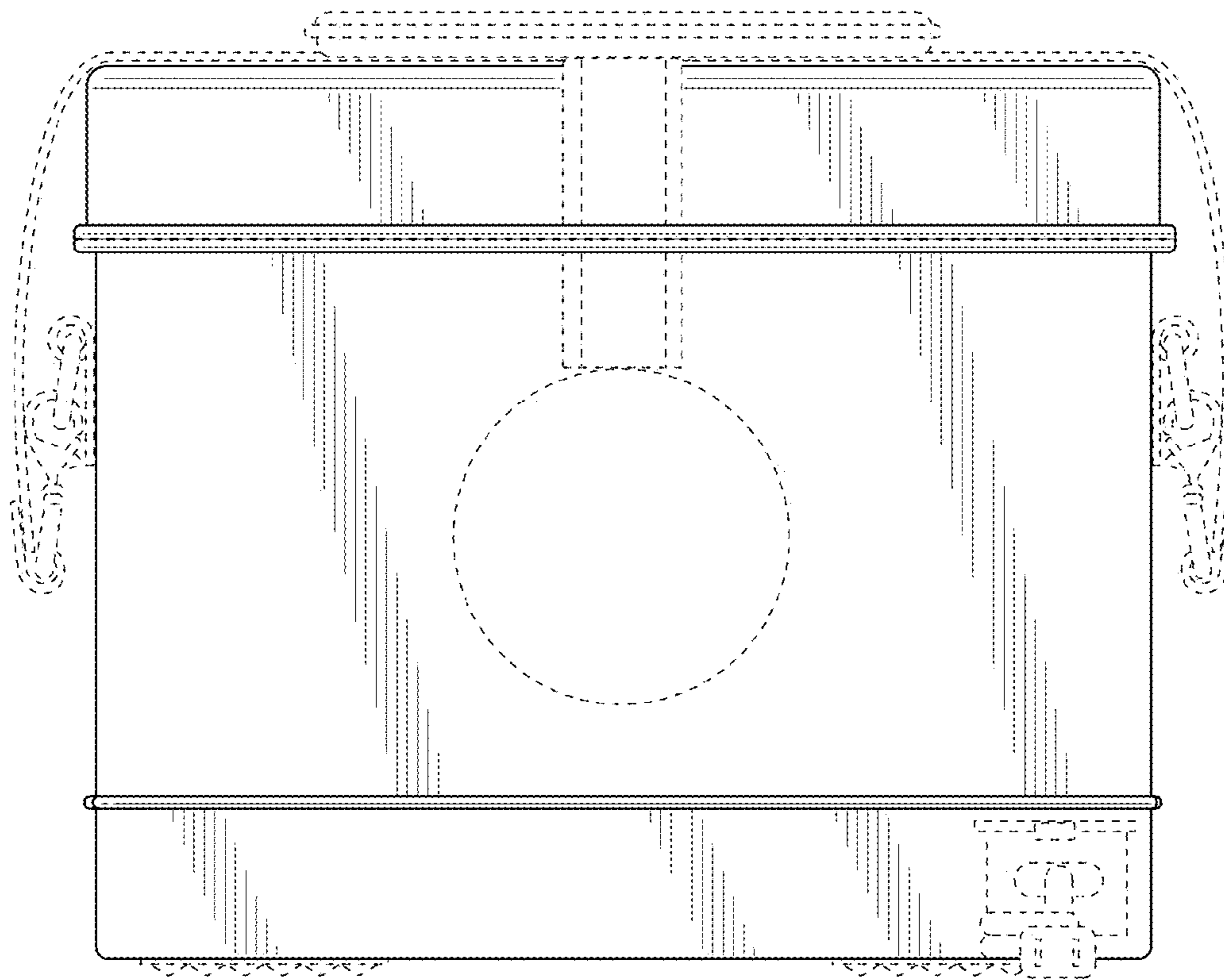


FIG. 9

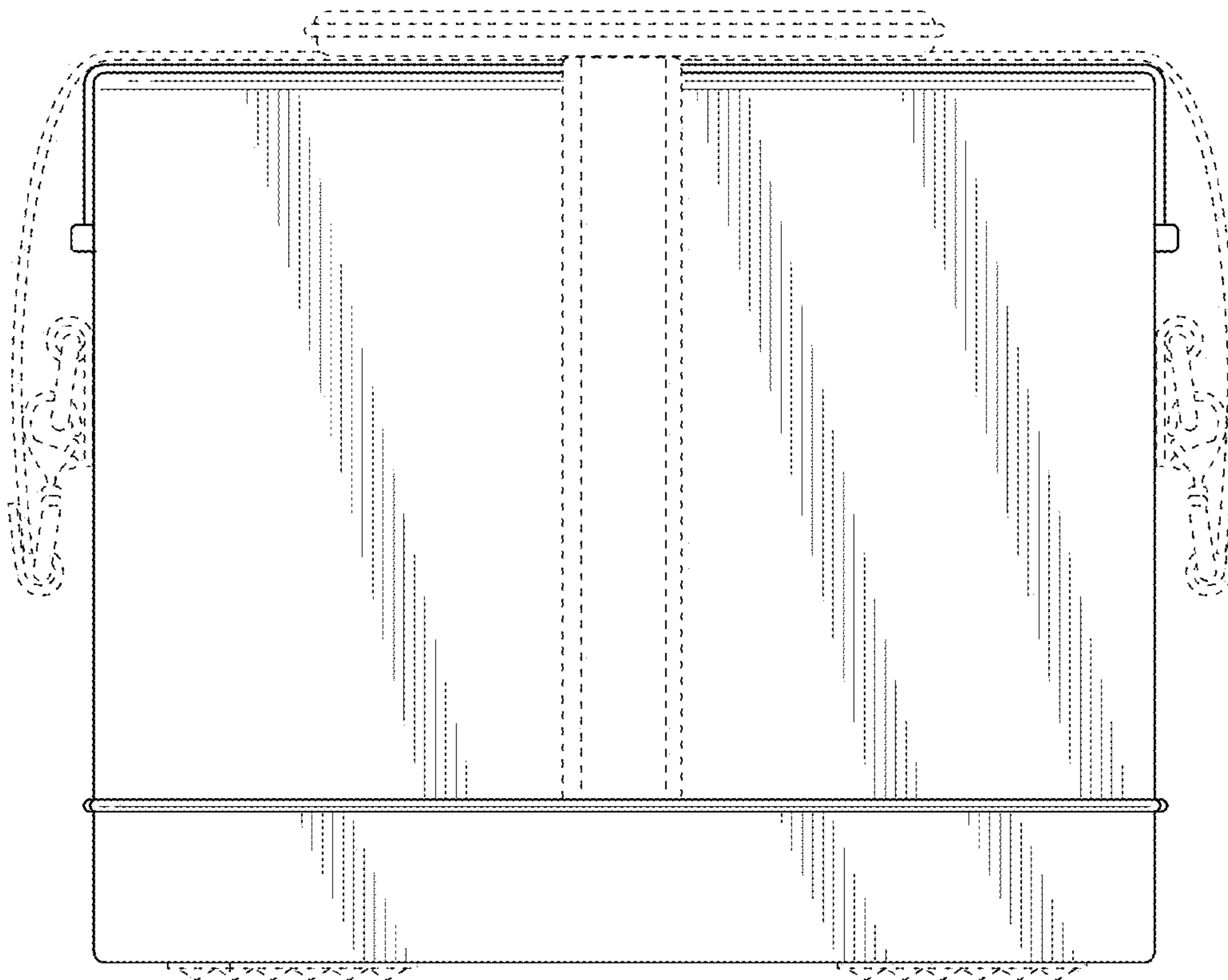


FIG. 10

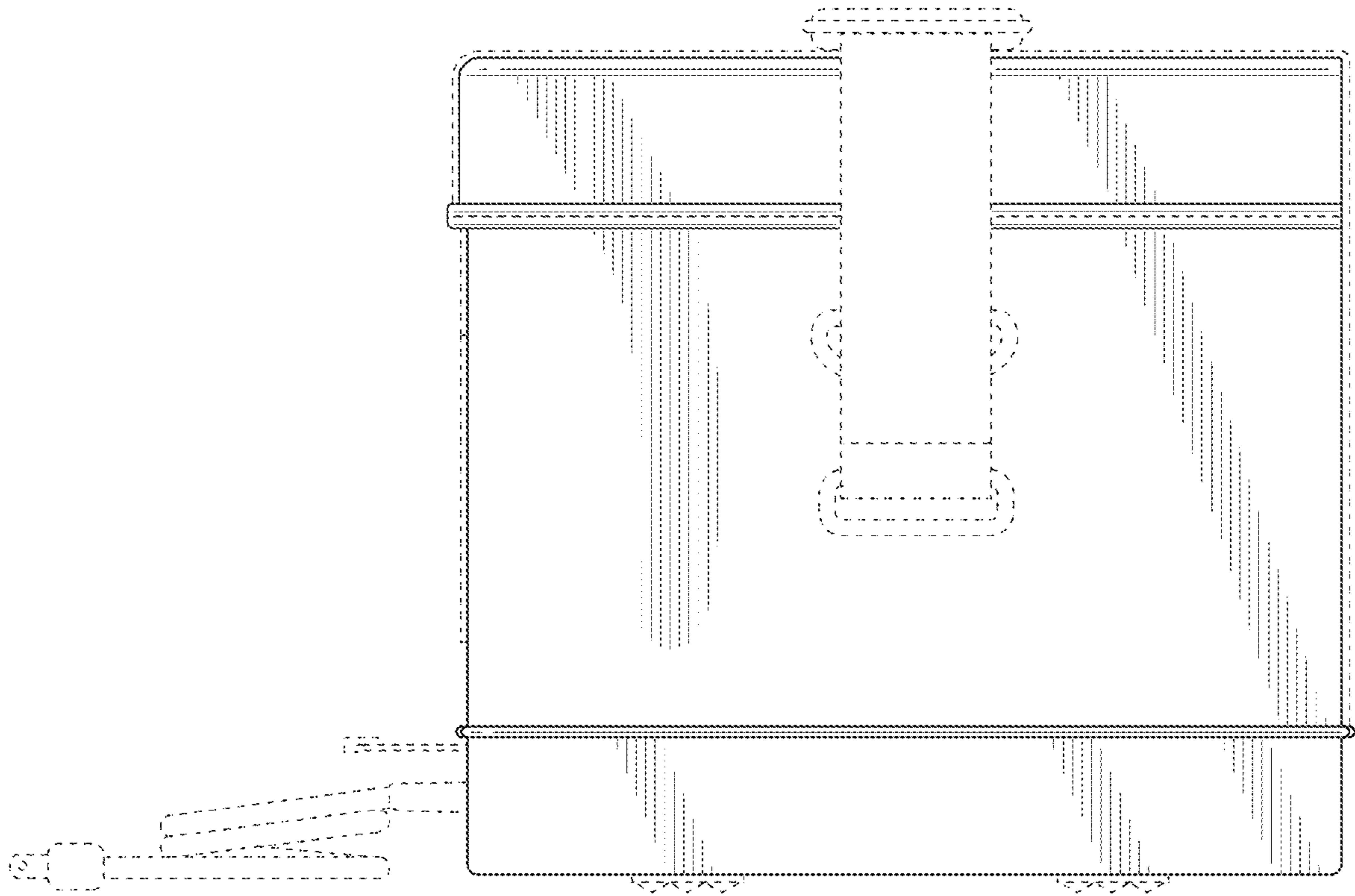


FIG. 11

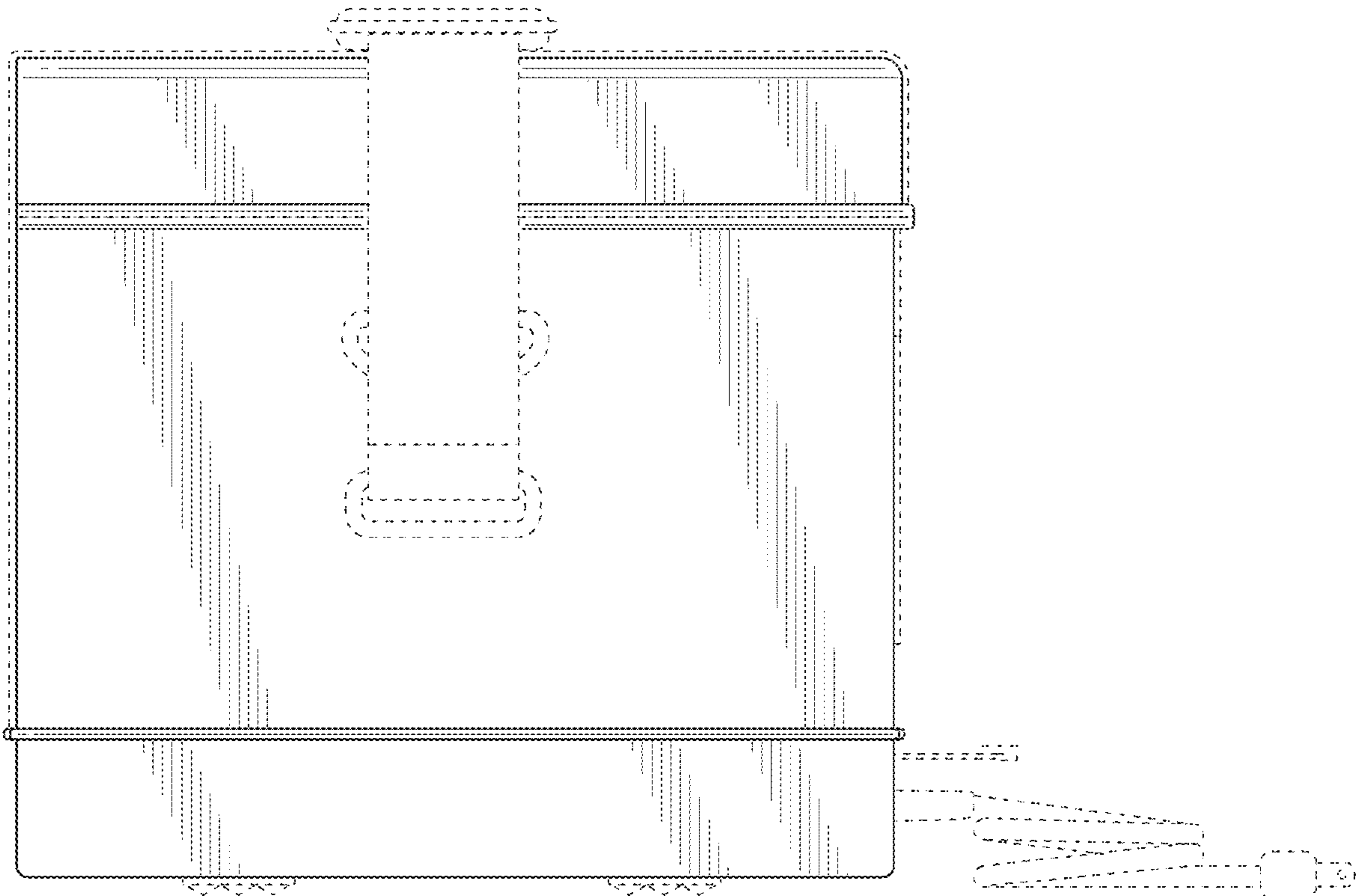


FIG. 12

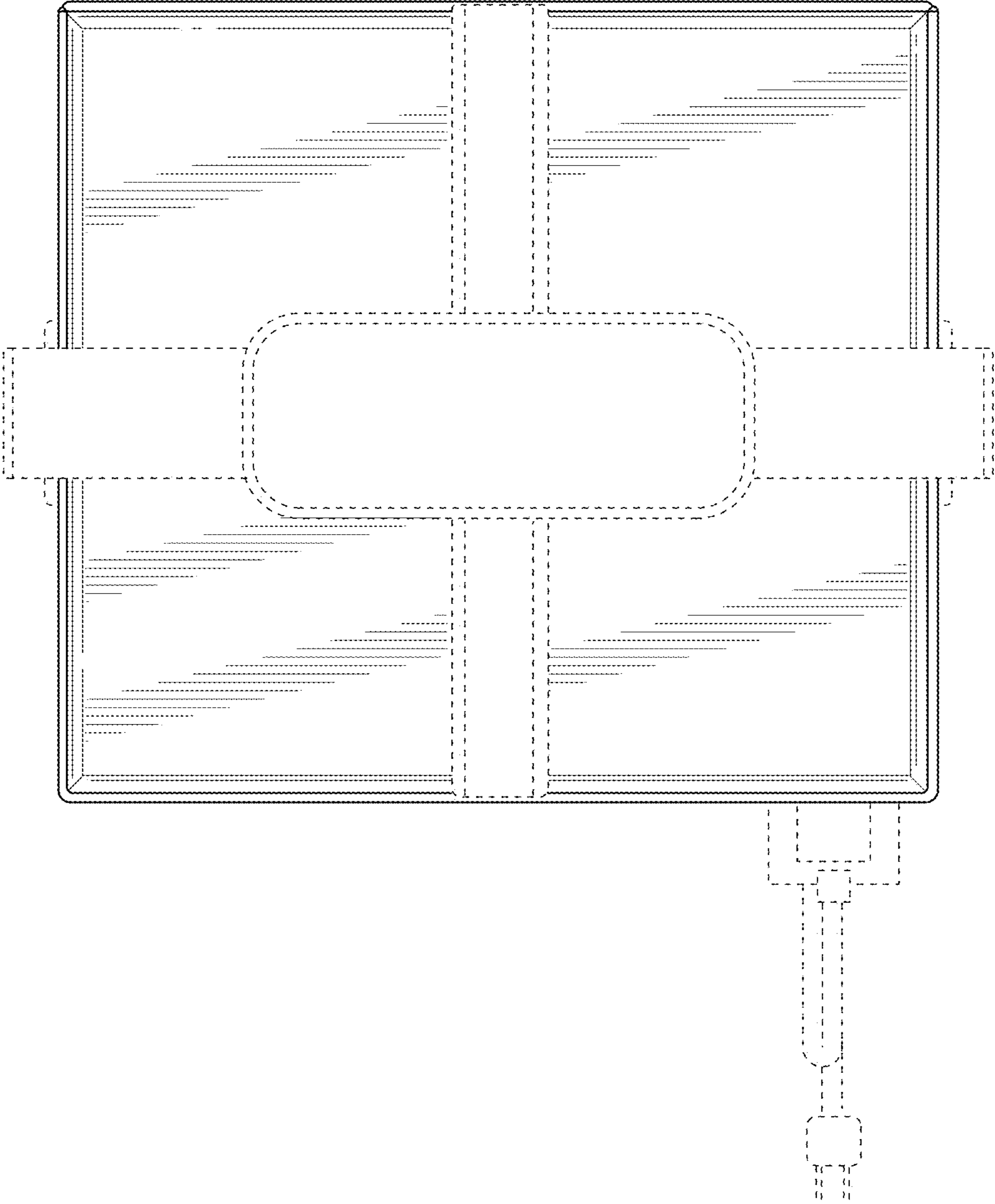


FIG. 13

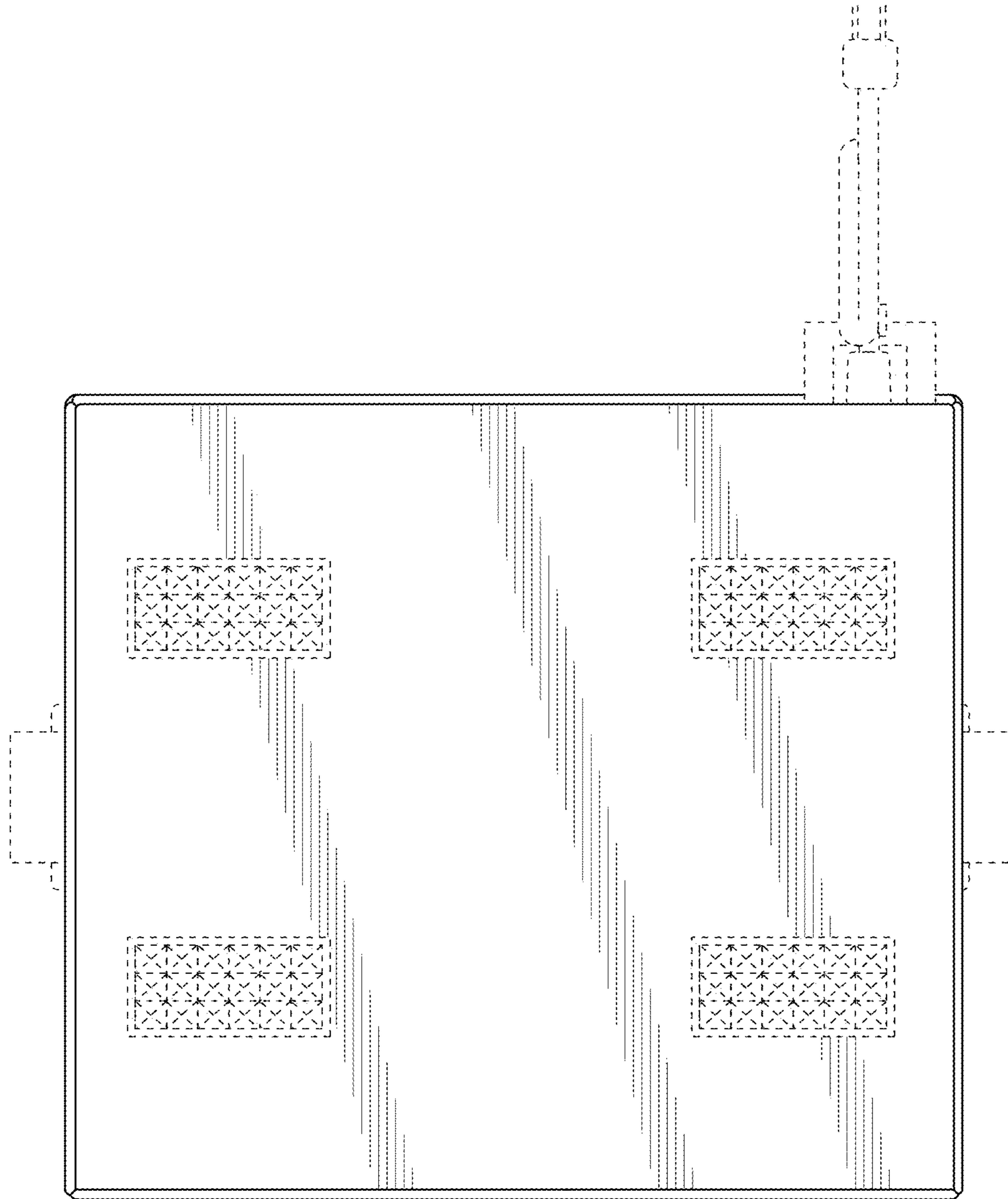


FIG. 14