



US00D957198S

(12) **United States Design Patent** (10) **Patent No.:** **US D957,198 S**
Ye (45) **Date of Patent:** **** Jul. 12, 2022**

(54) **SPICE RACK**

(71) Applicant: **Shenzhen Chongtian Electronic Technology Co., Ltd., Shenzhen (CN)**

(72) Inventor: **Zhengwen Ye, Shenzhen (CN)**

(**) Term: **15 Years**

(21) Appl. No.: **29/794,059**

(22) Filed: **Jun. 10, 2021**

(51) **LOC (13) Cl.** **07-09**

(52) **U.S. Cl.**
USPC **D7/600.1**

(58) **Field of Classification Search**
USPC D7/341, 406, 409, 550.1, 553.2, 600.1, D7/600.3-600.4, 601-602, 675.1, 657, D7/701; D6/325, 327, 362, 567, 571, D6/574, 651.1, 655, 671, 675.1-675.2, D6/681, 683.1, 705, 705.6, 706, 707.15; D8/354, 381; D25/38.1, 41.1, 48.2, 69, D25/118-119, 121, 126, 133-134, 136
CPC A47B 17/03; A47B 47/02
See application file for complete search history.

(56) **References Cited**

U.S. PATENT DOCUMENTS

- 600,879 A * 3/1898 Louden F25D 25/02 211/11
- 801,149 A * 10/1905 Meaker A47F 5/01 211/49.1
- D275,536 S * 9/1984 Sandy D6/676
- D299,273 S * 1/1989 Pittman, Jr. D25/136
- D311,339 S * 10/1990 Weed D7/359
- D344,434 S * 2/1994 Endara D7/402
- D363,410 S * 10/1995 Hazen D7/359
- D404,968 S * 2/1999 Lin D7/409
- 6,164,461 A * 12/2000 Ward G11B 33/0461 211/40
- 6,301,849 B1 * 10/2001 Roth A01M 1/026 52/302.1
- D483,210 S * 12/2003 Yorek D6/574

- D518,316 S * 4/2006 GUSDORF D6/675.3
 - D541,563 S * 5/2007 LaBONIA, JR. D6/705
 - D635,191 S * 3/2011 CHEETWOOD D19/91
- (Continued)

FOREIGN PATENT DOCUMENTS

CN 306044874 * 9/2020

OTHER PUBLICATIONS

Z-Shelf Bookcase, Ron Arad for Moroso, miliashop.com, published by Moroso on Aug. 7, 2015 per wayback machine © 2022, site visited Feb. 26, 2022. Available at URL: <https://www.miliashop.com/en/bookcases-and-shelves/7416-z-shelf-bookcase-moroso.html> (Year: 2015).*

(Continued)

Primary Examiner — Sandra Snapp
Assistant Examiner — Altaira J Swangin
(74) *Attorney, Agent, or Firm* — Rumit Ranjit Kanakia

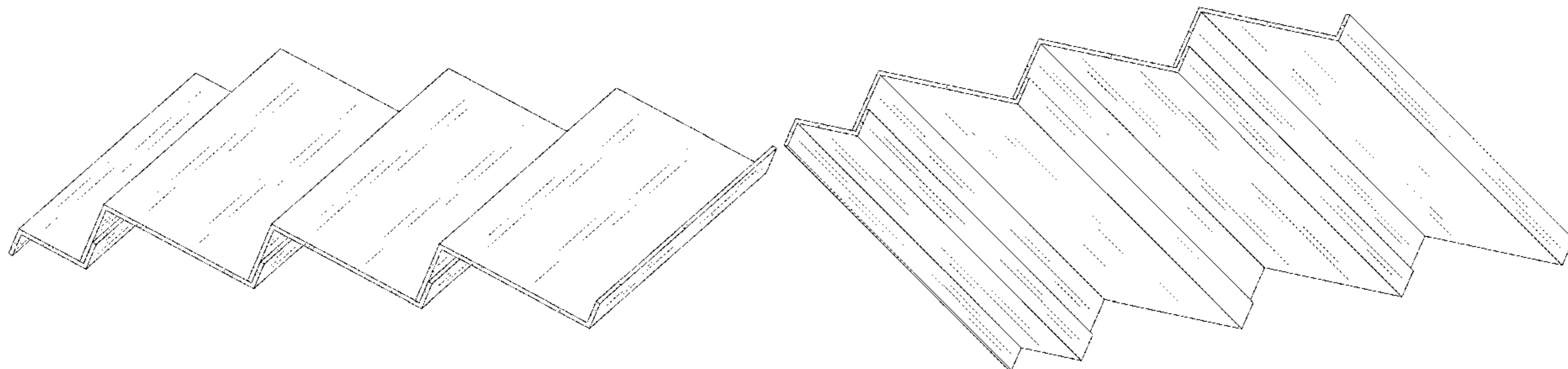
(57) **CLAIM**

The ornamental design for a spice rack, as shown and described.

DESCRIPTION

FIG. 1 is a front elevational view of a spice rack showing my new design;
FIG. 2 is a rear elevational view thereof; and
FIG. 3 is a left side view thereof;
FIG. 4 is a right side view thereof;
FIG. 5 is a top plan view thereof;
FIG. 6 is a bottom plan view thereof;
FIG. 7 is a perspective view of a spice rack showing my new design; and,
FIG. 8 is another perspective view thereof.
The broken lines in the figures are for the purposes of illustrating portions of the spice rack, which form no part of the claimed design.

1 Claim, 8 Drawing Sheets



(56)

References Cited

U.S. PATENT DOCUMENTS

D702,998 S * 4/2014 Fugere D7/409
 D712,475 S * 9/2014 Scott D19/90
 D739,681 S 9/2015 Bee
 D793,162 S * 8/2017 Hamlin D7/409
 D802,370 S 11/2017 Tsai
 D809,674 S * 2/2018 Singh D25/119
 D854,400 S * 7/2019 Haley D8/354
 10,357,119 B2 * 7/2019 Kalm A47F 5/105
 D857,104 S * 8/2019 Linderman D21/392
 D873,081 S 1/2020 Goodman
 D880,948 S 4/2020 Repko
 D880,949 S 4/2020 Repko
 D881,652 S 4/2020 Repko
 D904,127 S 12/2020 Song
 D911,782 S * 3/2021 Li D7/600.4
 D912,470 S 3/2021 Joseph
 D913,753 S 3/2021 Zheng
 D915,148 S 4/2021 Li
 2012/0111815 A1 * 5/2012 Berry A47J 47/16
 211/74

OTHER PUBLICATIONS

Taco Holders, Artthome, amazon.com, published by Artthome, first available on Jul. 7, 2018 © 1996-2021 Amazon.com, Inc., site visited Feb. 26, 2022. Available at URL: <https://www.amazon.com/Taco-Holder-Stand-Packs-Dishwasher/dp/B07FBNFPHG> (Year: 2018).*

Bamboo Spice Rack Tray, Mulush, amazon.com, published by Mulush, first available on Jun. 6, 2021 © 1996-2021 Amazon.com, Inc., site visited May 3, 2022. Available at URL: <https://www.amazon.com/Mulush-Bamboo-Spice-Rack-Tray/dp/B096Q48TRM?th=1> (Year: 2021).*

Expandable Spice Rack Tray, Lynk Professional, amazon.com, published by Lynk Professional, first available on Mar. 6, 2019 © 1996-2021 Amazon.com, Inc., site visited May 3, 2022. Available at URL: <https://www.amazon.com/Lynk-Professional-4304142PK-Adjustable-Expandable/dp/B07V59FGV4> (Year: 2019).*

* cited by examiner

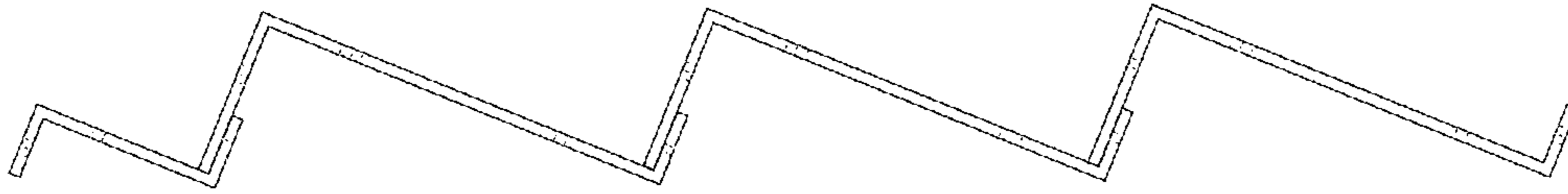


FIG. 1

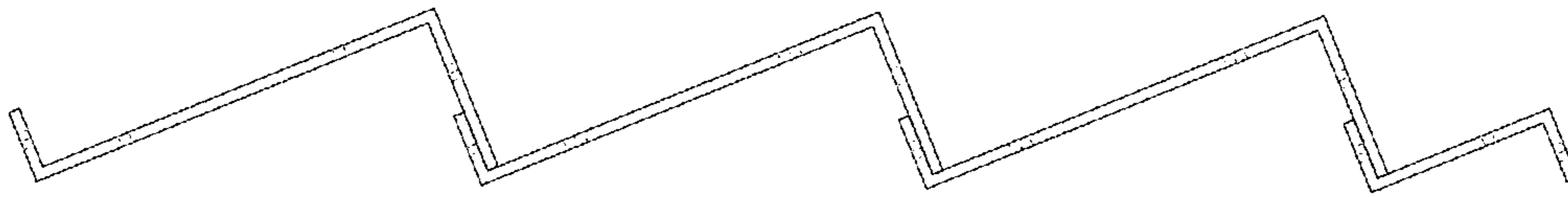


FIG. 2

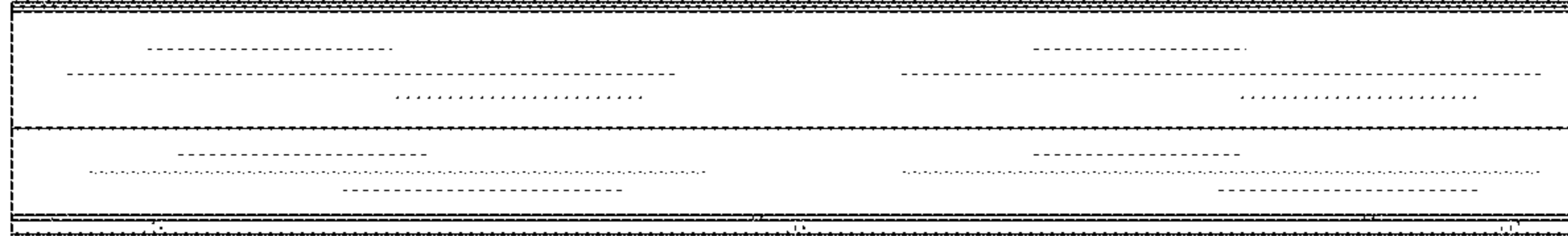


FIG.3

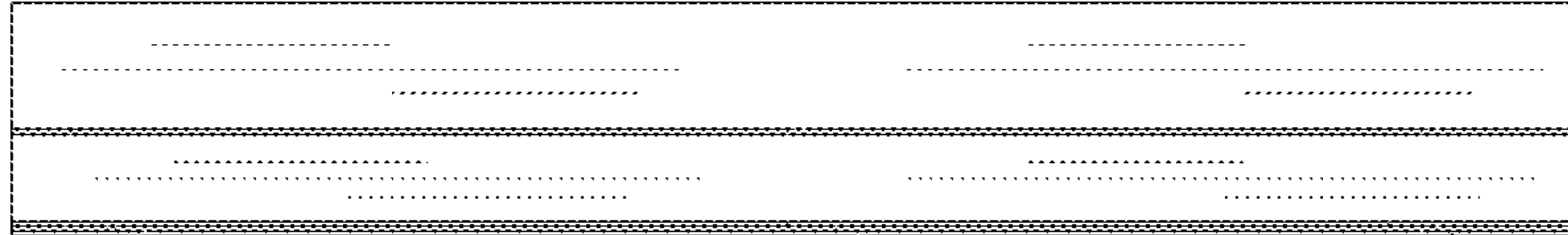


FIG.4

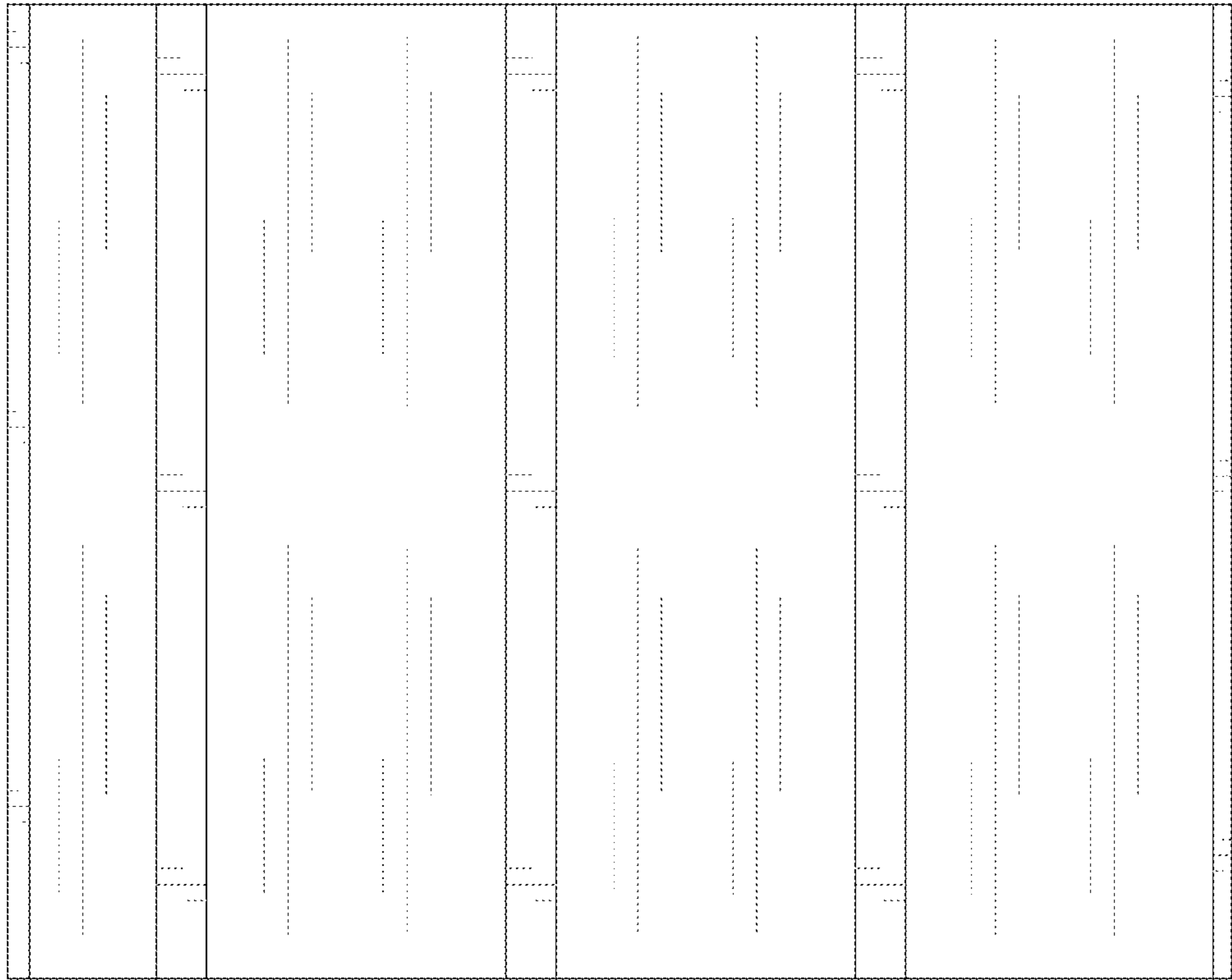


FIG. 5

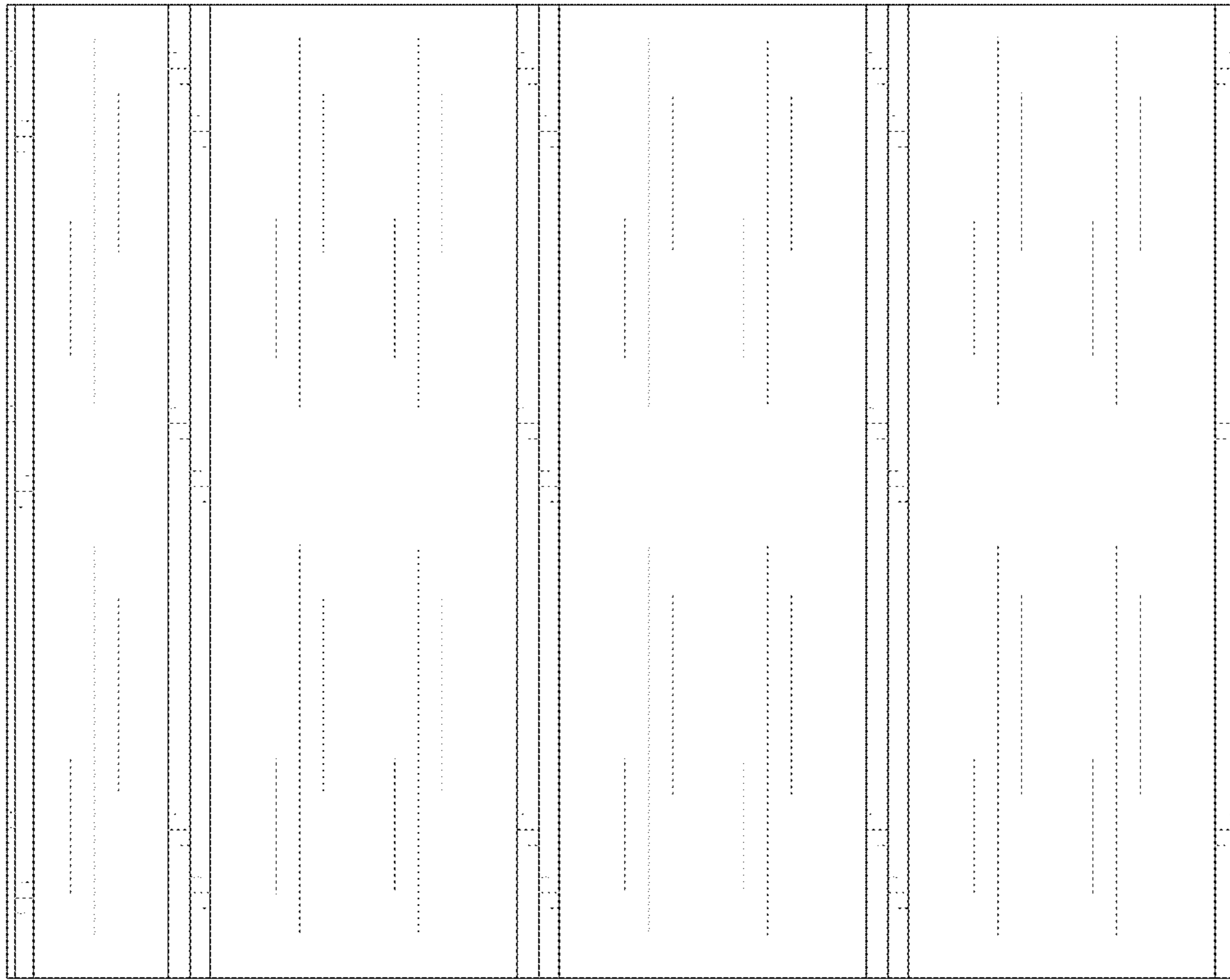


FIG. 6

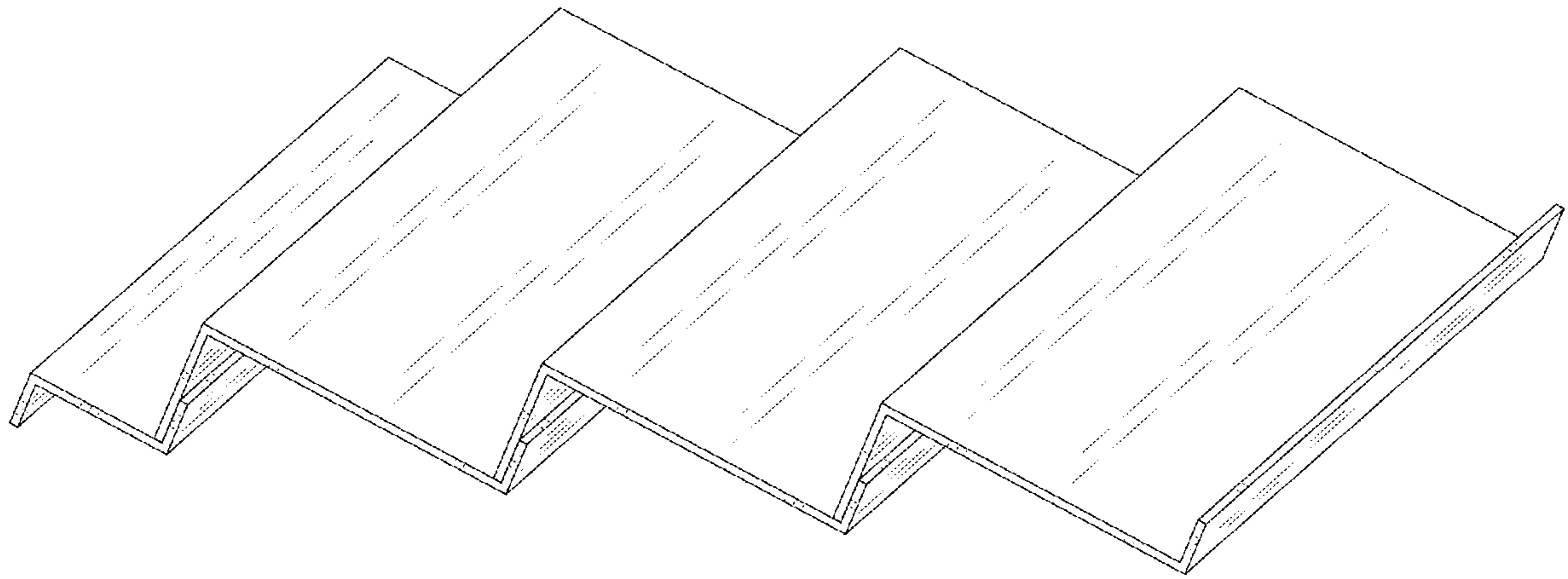


FIG. 7

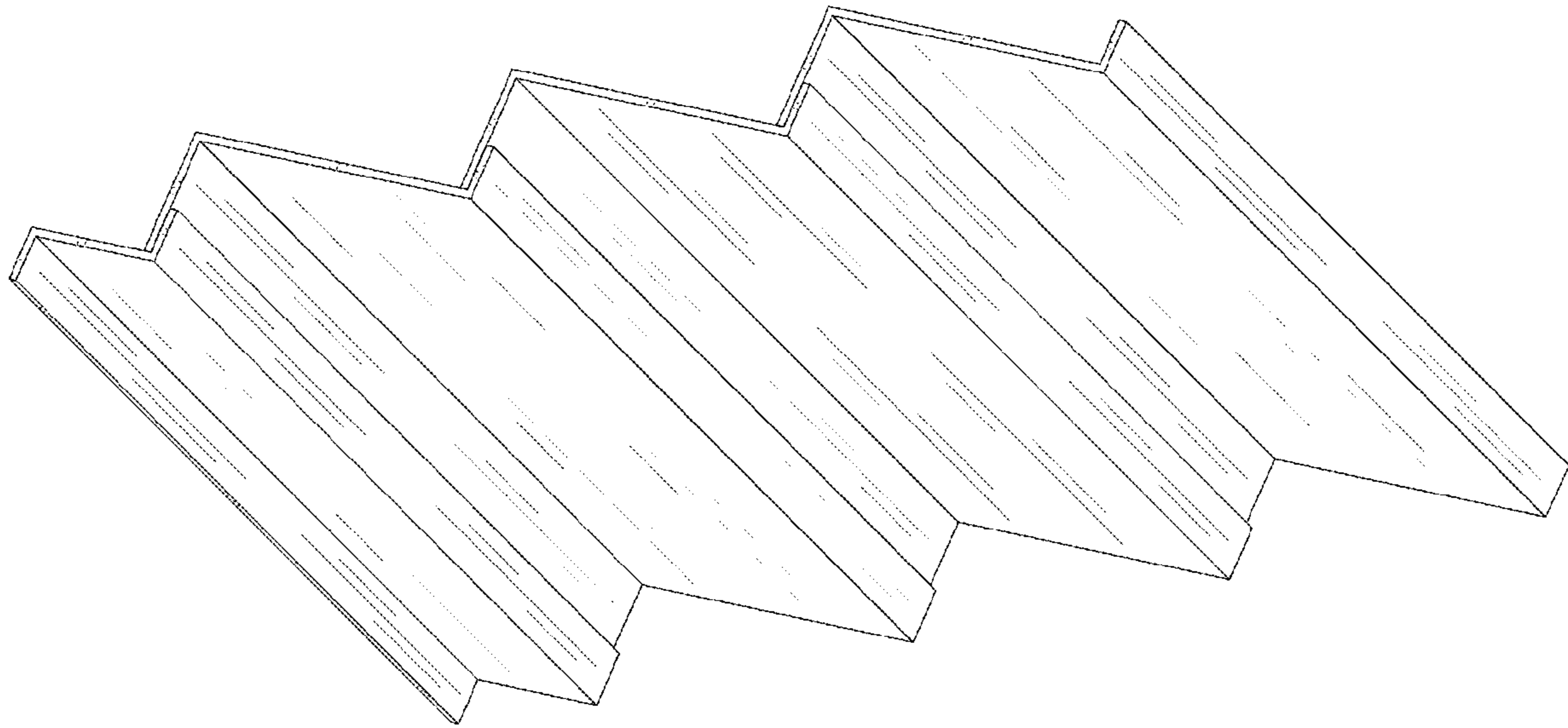


FIG. 8