



US00D957194S

(12) **United States Design Patent**
Wang

(10) **Patent No.:** **US D957,194 S**
(45) **Date of Patent:** **** Jul. 12, 2022**

- (54) **WATER BOTTLE**
- (71) Applicant: **Jiangxi Daoying Technology Co., Ltd.,**
Ji'an (CN)
- (72) Inventor: **Jiang Wang, Ji'An (CN)**
- (73) Assignee: **Jiangxi Daoying Technology Co., Ltd.,**
Ji'an (CN)
- (**) Term: **15 Years**
- (21) Appl. No.: **29/725,997**
- (22) Filed: **Feb. 28, 2020**
- (51) **LOC (13) Cl.** **07-01**
- (52) **U.S. Cl.**
USPC **D7/510; D7/529**
- (58) **Field of Classification Search**
USPC D7/507, 510, 511, 523, 531, 532, 392.1,
D7/396.2, 534, 533, 529; D9/517, 531;
D3/202; D27/174, 176, 187; D24/122,
D24/120, 197
CPC A47J 41/0077; A47J 41/02; B65D 47/066;
A47G 19/2288; A47G 19/22
See application file for complete search history.

- D865,447 S * 11/2019 Meyers D7/378
- D874,224 S * 2/2020 Omdahl, II D7/509
- D874,287 S * 2/2020 Yourist D7/509
- D899,170 S * 10/2020 Xue D7/529

OTHER PUBLICATIONS

<https://www.wsj.com/articles/can-a-smart-water-bottle-motivate-you-to-hydrate-11620823411> (Year: 2021).*

https://www.amazon.com/dp/B07N3BPZ8W/ref=cm_sw_em_r_mt_dp_NEBW3S3V7HE4G88DWXSV?_encoding=UTF8&psc=1 (Year: 2019).*

* cited by examiner

Primary Examiner — Jae Liang
(74) *Attorney, Agent, or Firm* — Yanling Jiang

(57) **CLAIM**

The ornamental design for a water bottle, as shown and described.

DESCRIPTION

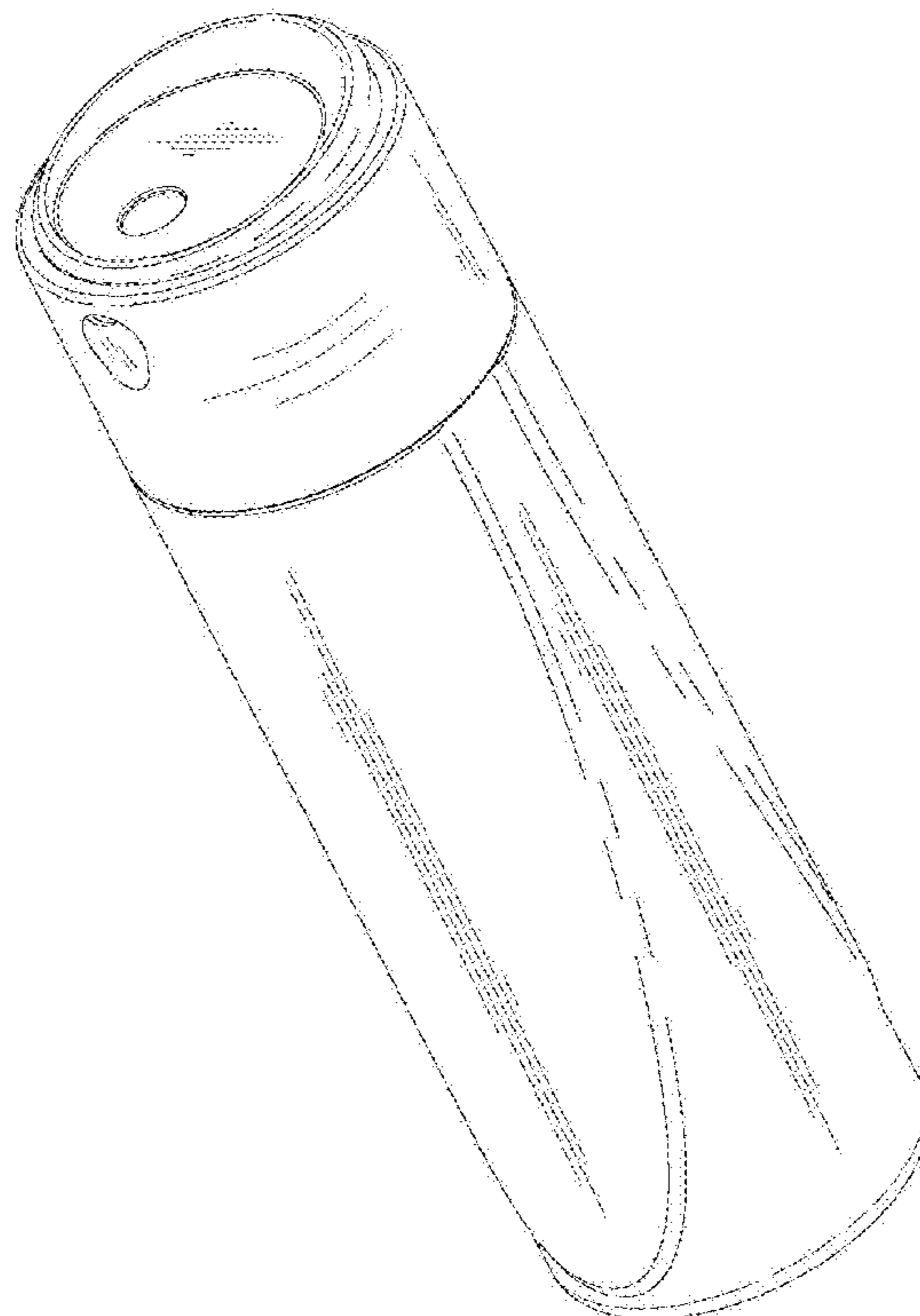
FIG. 1 is a top right perspective view of a water bottle showing my new design;
FIG. 2 is another perspective view thereof.
FIG. 3 is a front elevation view thereof;
FIG. 4 is a rear elevation view thereof;
FIG. 5 is a top plan view thereof;
FIG. 6 is a bottom plan view thereof;
FIG. 7 is a side view thereof; and,
FIG. 8 is an opposite side view thereof.

1 Claim, 8 Drawing Sheets

(56) **References Cited**

U.S. PATENT DOCUMENTS

- D766,090 S * 9/2016 Boroski D7/509
- D780,517 S * 3/2017 Boroski D7/529
- D789,737 S * 6/2017 Eyal D7/300.1
- D836,985 S * 1/2019 Otto D7/300.1
- D851,455 S * 6/2019 Lee D7/529



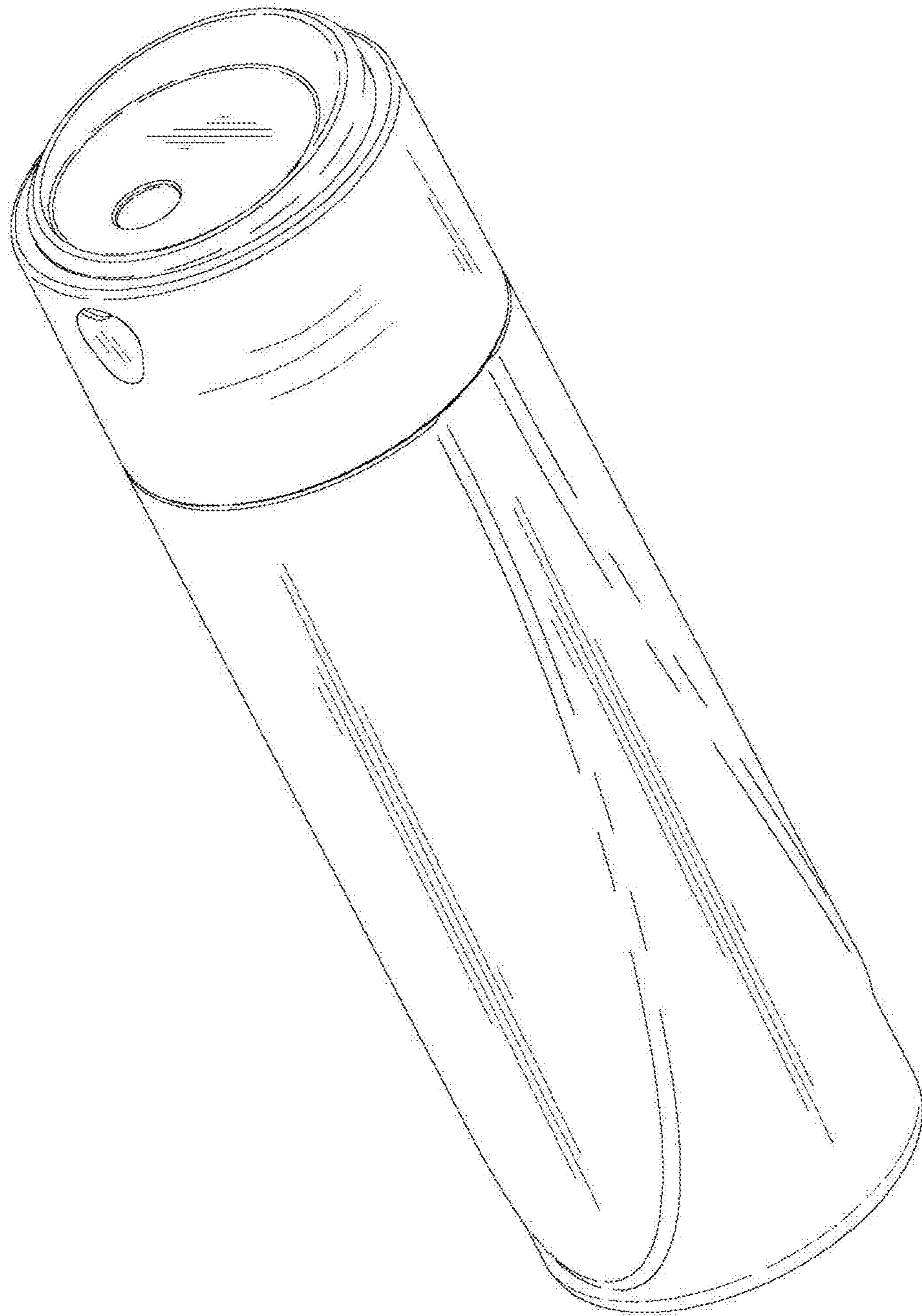


Fig. 1

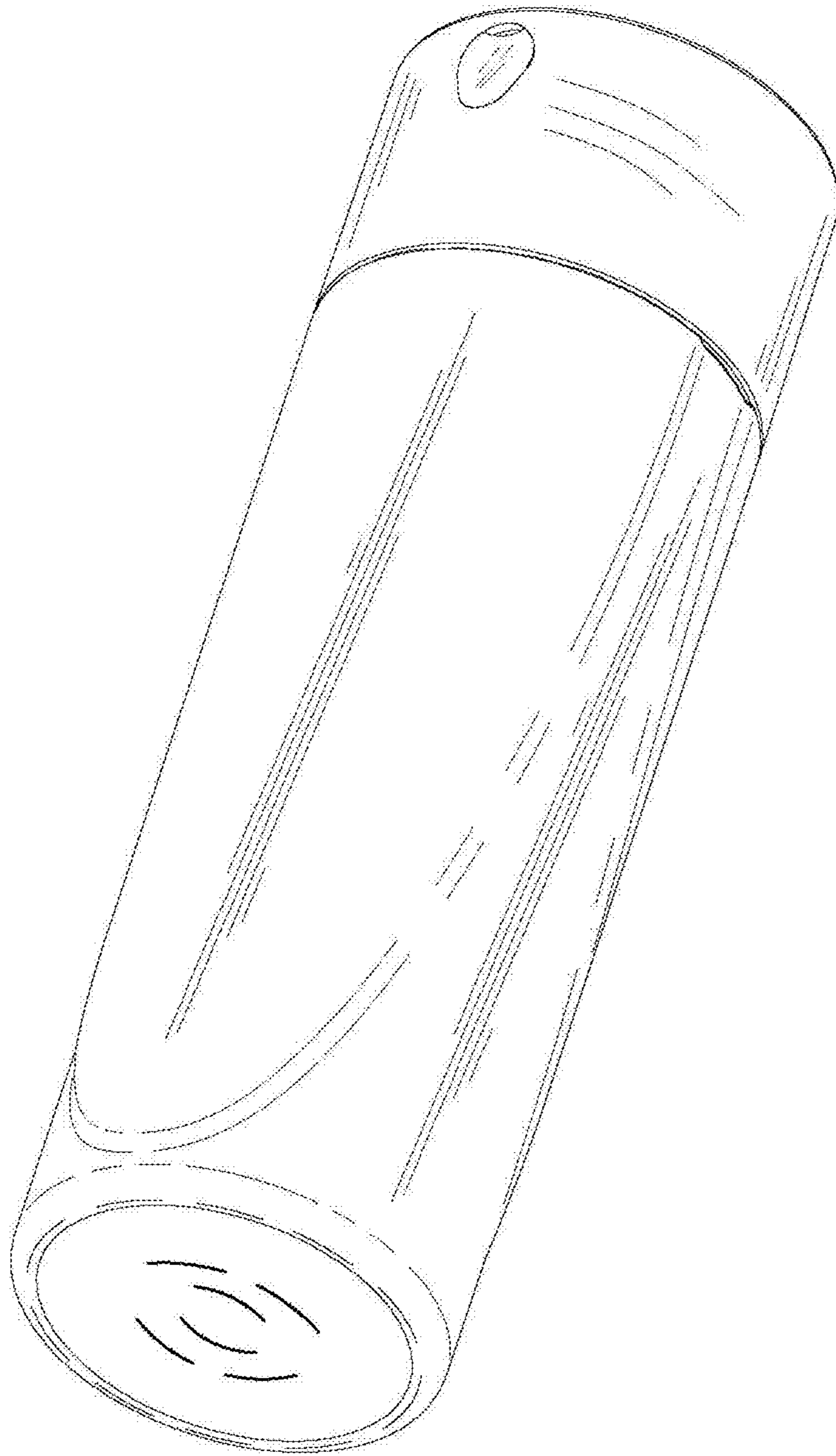


Fig. 2

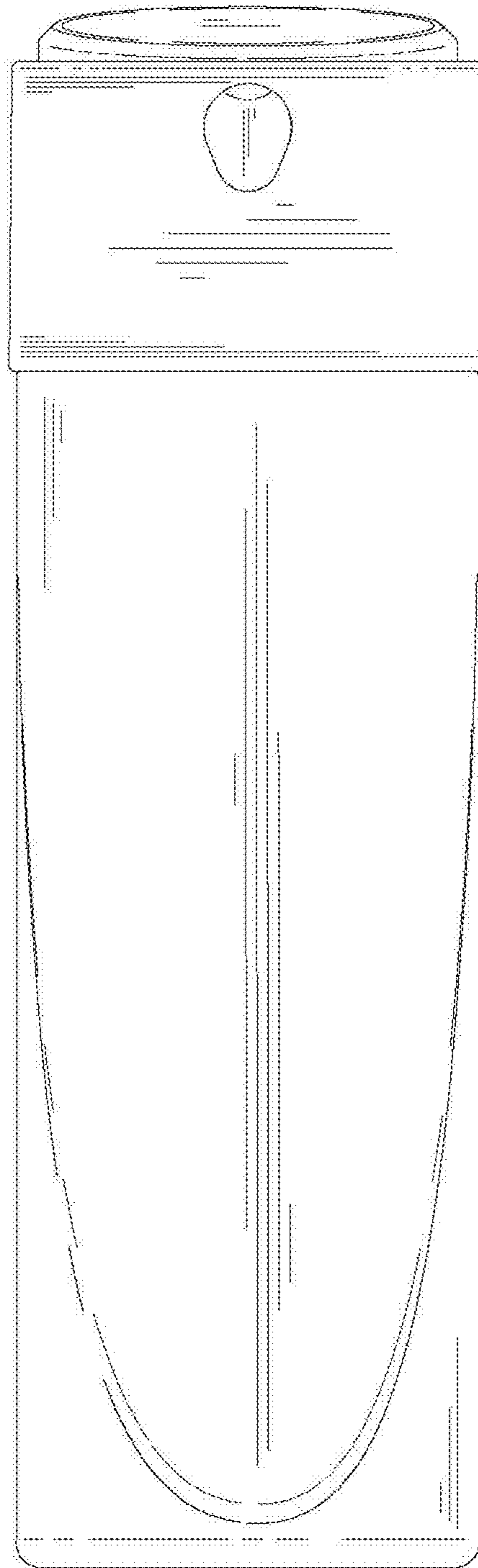


Fig. 3

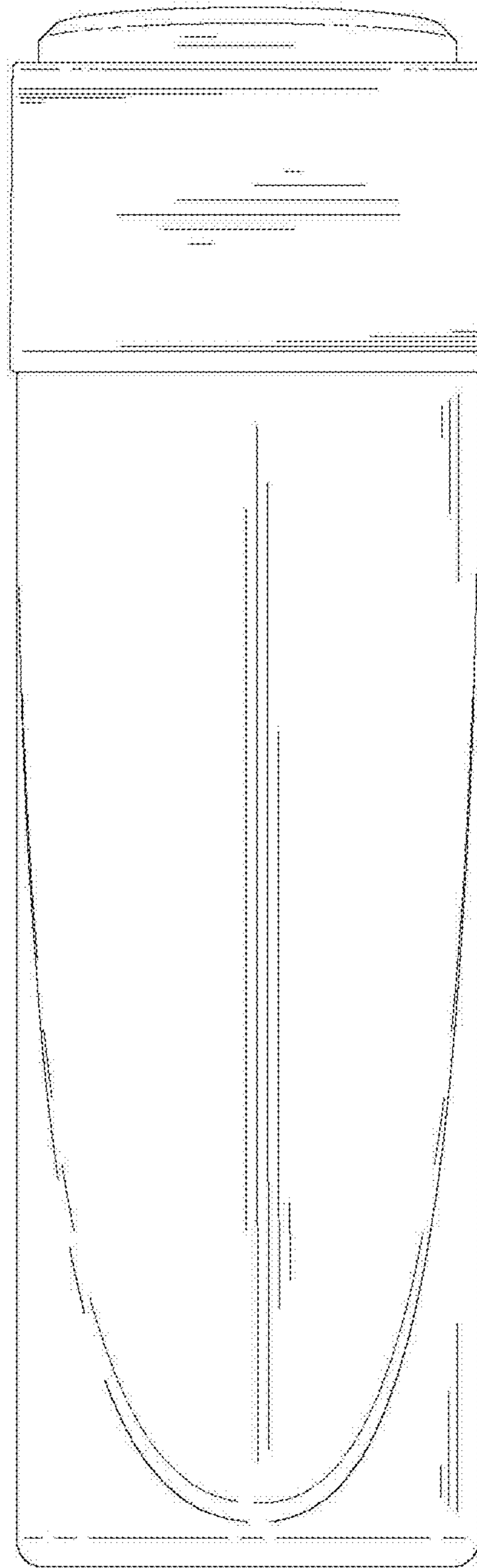


Fig. 4

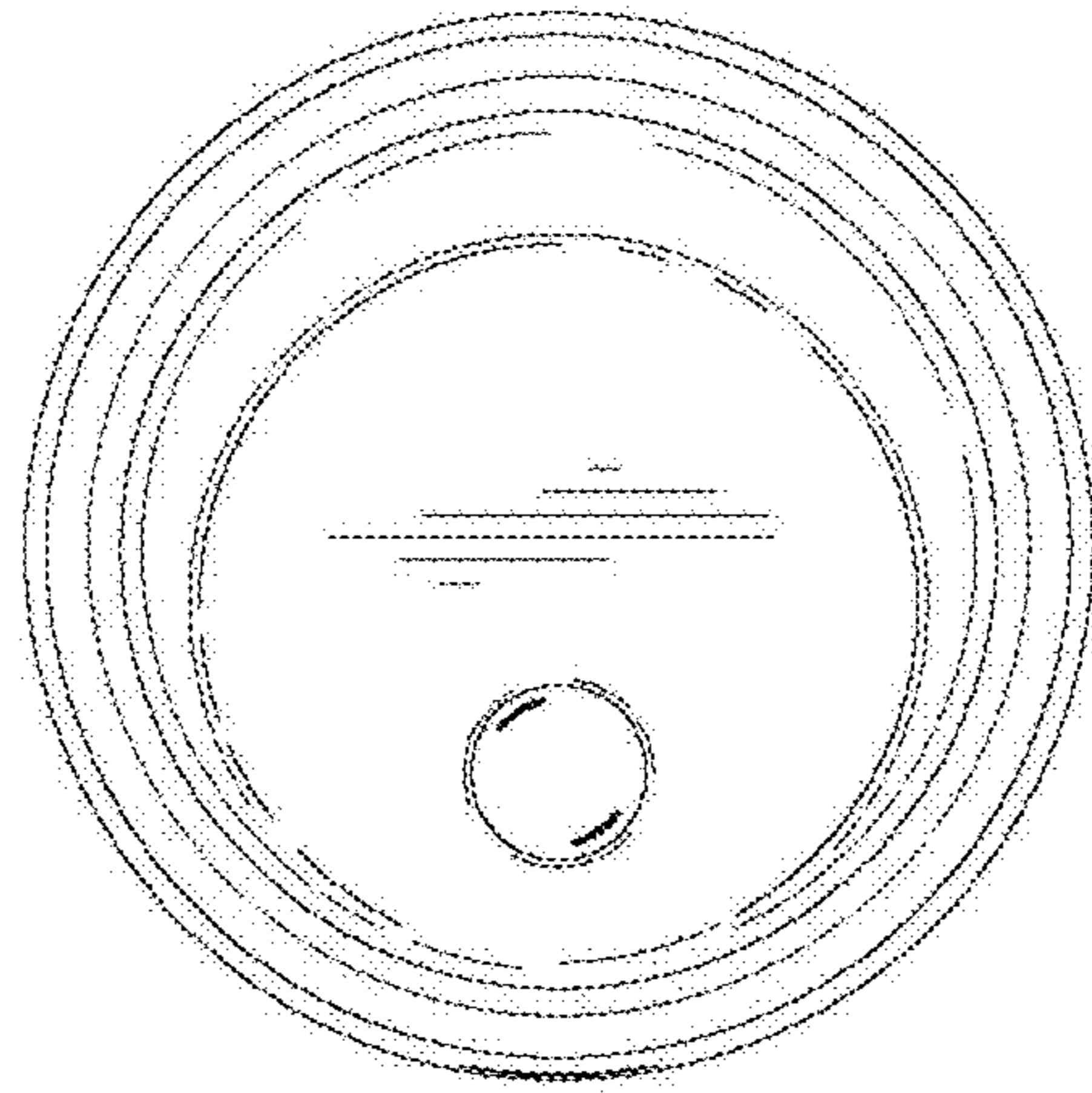


Fig. 5

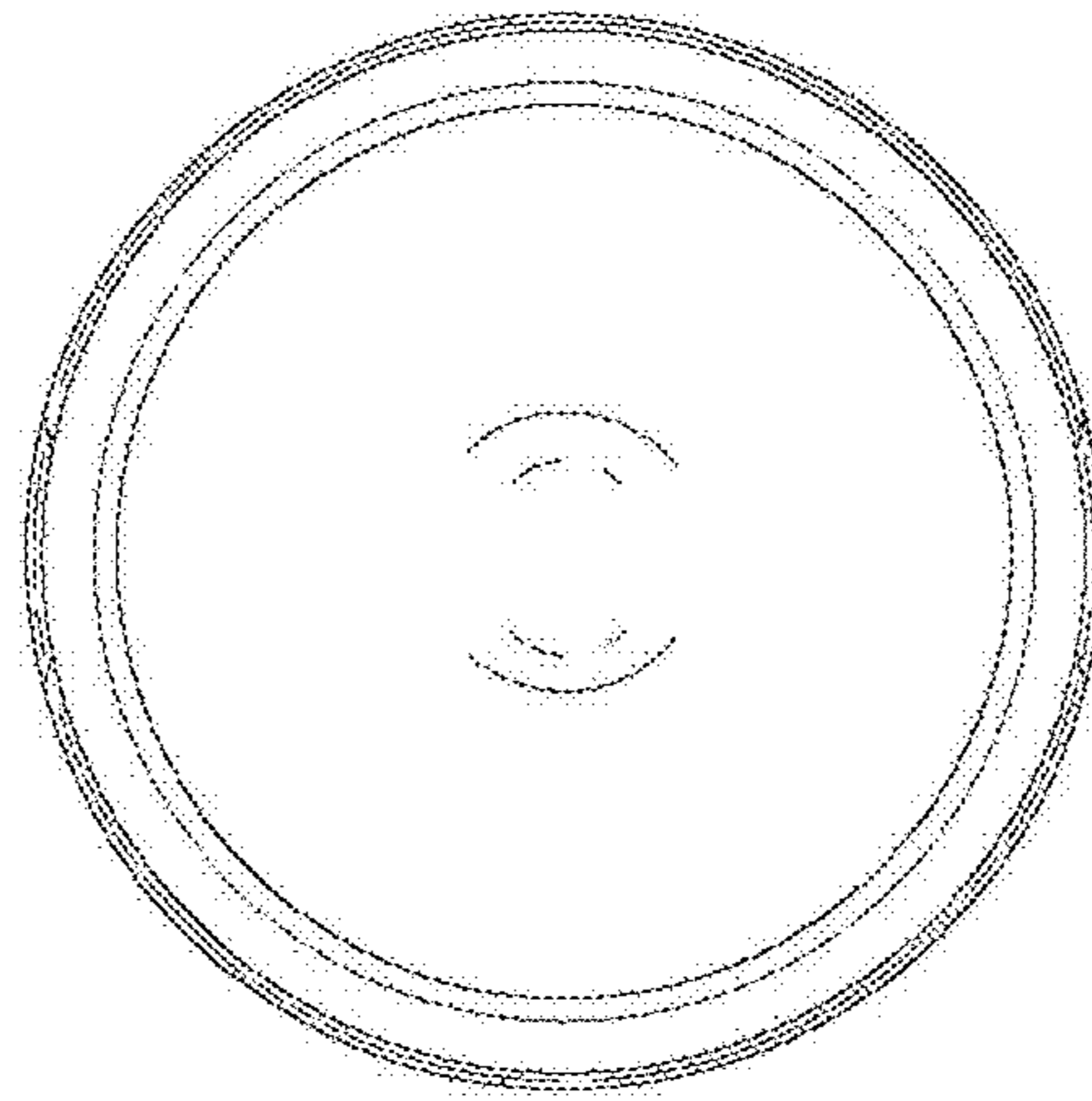


Fig. 6

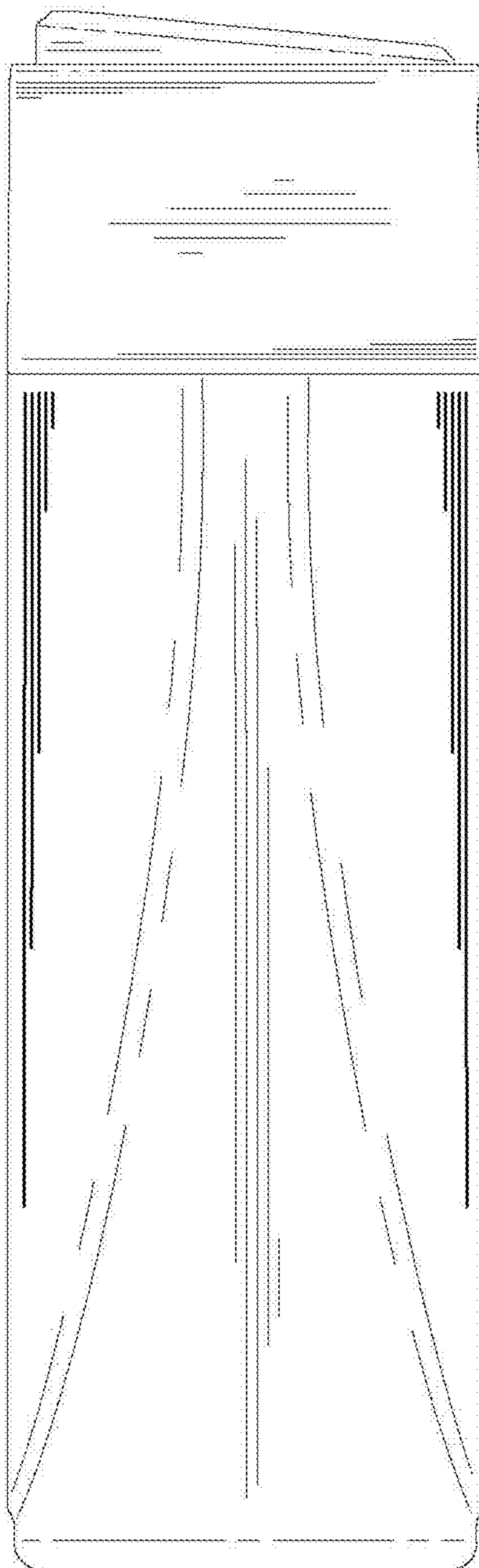


Fig. 7

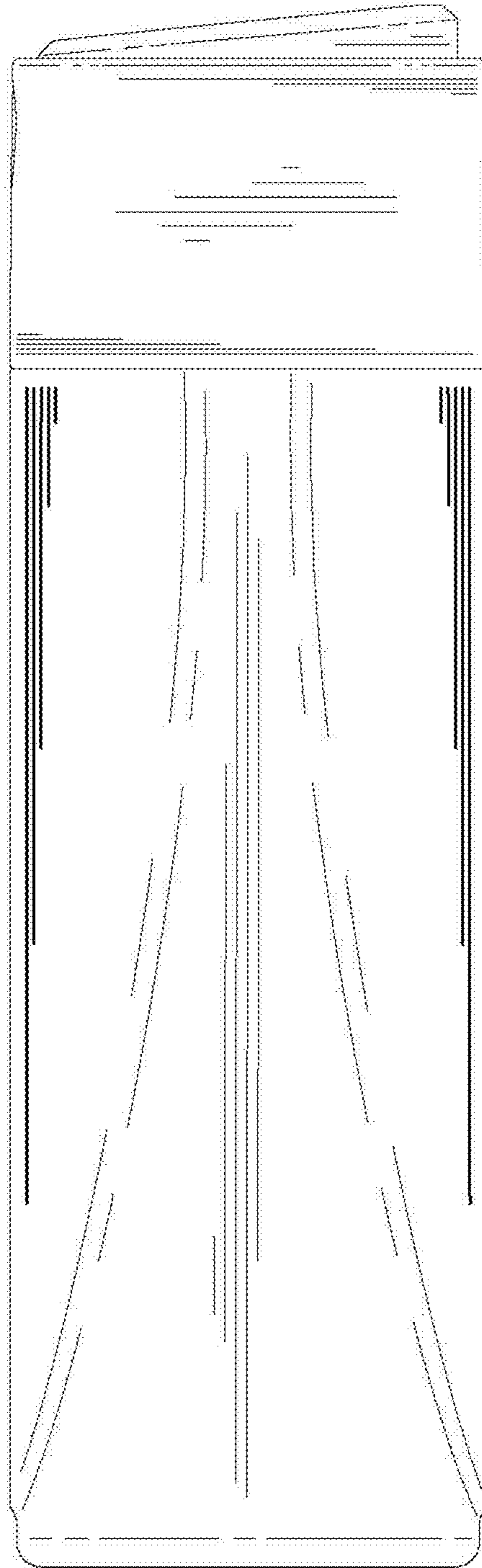


Fig. 8