



US00D957193S

(12) **United States Design Patent** (10) **Patent No.:** **US D957,193 S**
Ritchie (45) **Date of Patent:** **** Jul. 12, 2022**

(54) **KETTLE GRILL BRACKET**

(71) Applicant: **Donovan James Ritchie**, Pretoria (ZA)

(72) Inventor: **Donovan James Ritchie**, Pretoria (ZA)

(**) Term: **15 Years**

(21) Appl. No.: **29/754,247**

(22) Filed: **Oct. 8, 2020**

(51) **LOC (13) Cl.** **07-02**

(52) **U.S. Cl.**
USPC **D7/409**

(58) **Field of Classification Search**
USPC D7/323, 332, 335-337, 354-355,
D7/359-364, 387-388, 402, 407-409,
D7/704; D12/127; D26/39
CPC A21B 2/00; A21B 3/00; A21B 3/13; A21B
3/15; A21B 3/155; A21B 5/00; A21B
5/02; A23N 12/06; A23N 12/08; A23N
12/10; A47G 19/30; A47F 5/01; A47F
5/13; A47F 5/112; A47F 5/137; A47F
7/0071; A47J 37/00; A47J 37/04; A47J
37/041; A47J 37/042; A47J 37/06; A47J
37/0688; A47J 37/0694; A47J 37/07;
A47J 37/0704; A47J 37/10; A47J 47/20;
A47J 2037/00; A47J 2037/06; A47J
2037/0611; A47J 2037/07; A47J
2037/0786; A47J 2037/0795; B65D
81/36; F24C 15/10; F24C 15/12; F24C
15/14; F24C 15/16; F24C 15/18; F24C
15/164

See application file for complete search history.

(56) **References Cited**

U.S. PATENT DOCUMENTS

4,603,825	A *	8/1986	Kotliar	A47G 19/30 206/525
4,746,010	A *	5/1988	Fournier	B65D 81/36 206/746
6,273,278	B1 *	8/2001	Enyedy	A47F 7/0071 211/85.4
D470,360	S *	2/2003	Stanco	211/85.4
D748,835	S *	2/2016	Yu	D26/39
D774,992	S *	12/2016	Hill	D12/127
10,314,413	B1 *	6/2019	Smith	A47F 5/112

* cited by examiner

Primary Examiner — Ricky Pham

(74) *Attorney, Agent, or Firm* — Haug Partners LLP; Jon E. Gordon

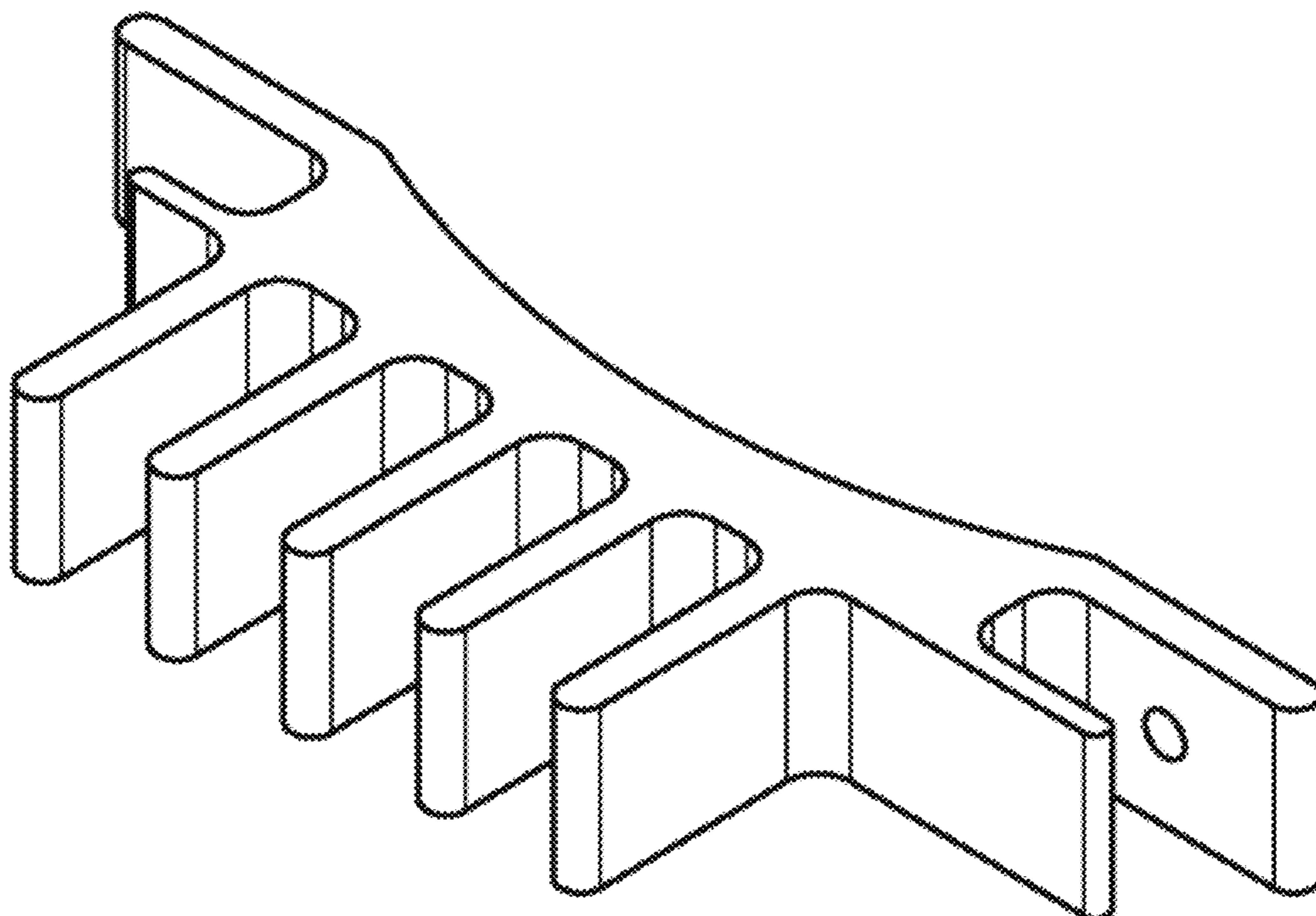
(57) **CLAIM**

The ornamental design for a kettle grill bracket, as shown and described.

DESCRIPTION

FIG. 1 is a top left perspective view of a kettle grill bracket showing my new design;
FIG. 2 is a front view thereof;
FIG. 3 is a top view thereof;
FIG. 4 is a bottom view thereof;
FIG. 5 is a rear view thereof;
FIG. 6 is a left side view thereof; and,
FIG. 7 is a right side view thereof.
The broken lines in the figures show portions of the kettle grill bracket that form no part of the claimed design.

1 Claim, 3 Drawing Sheets



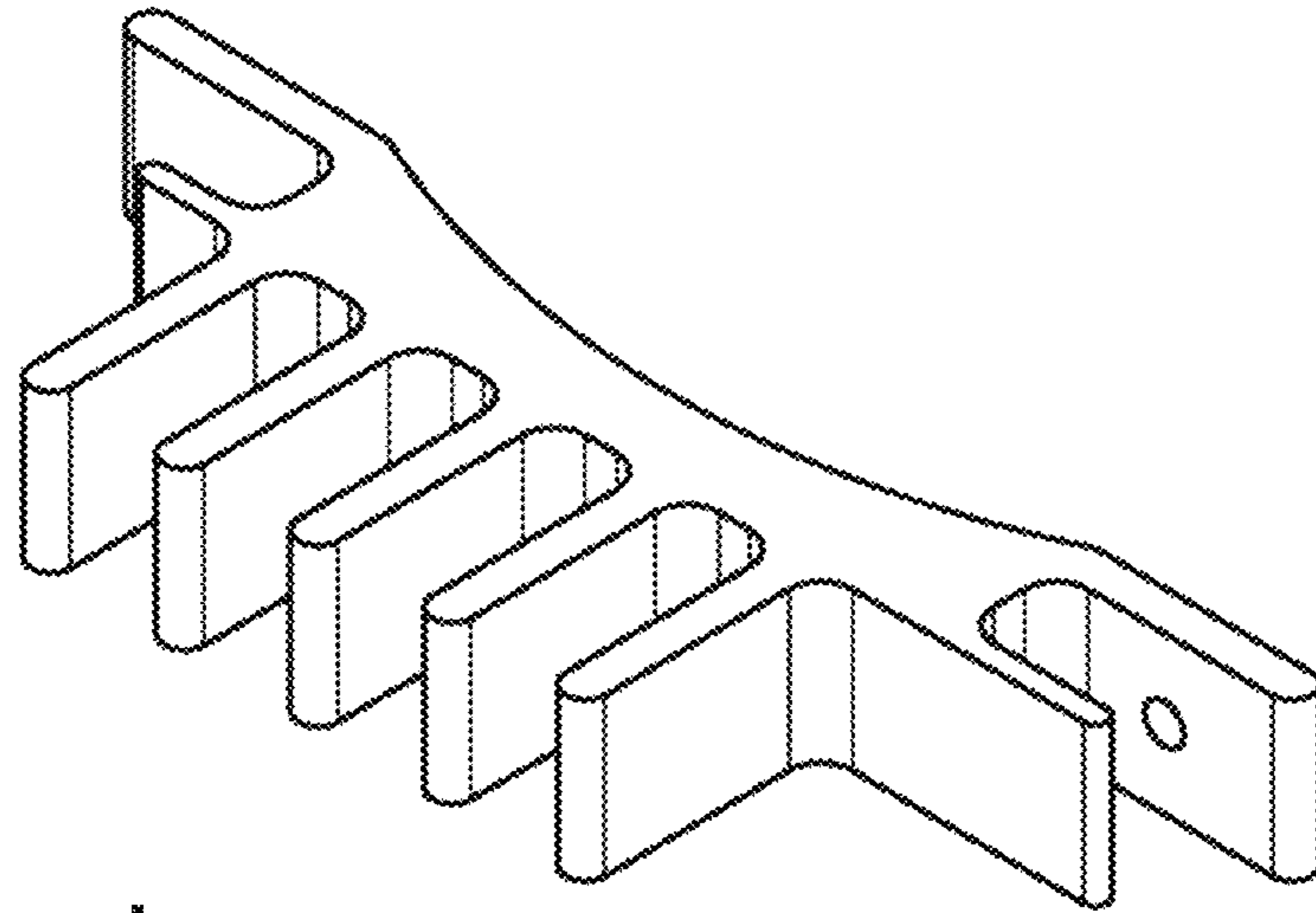


Fig. 1

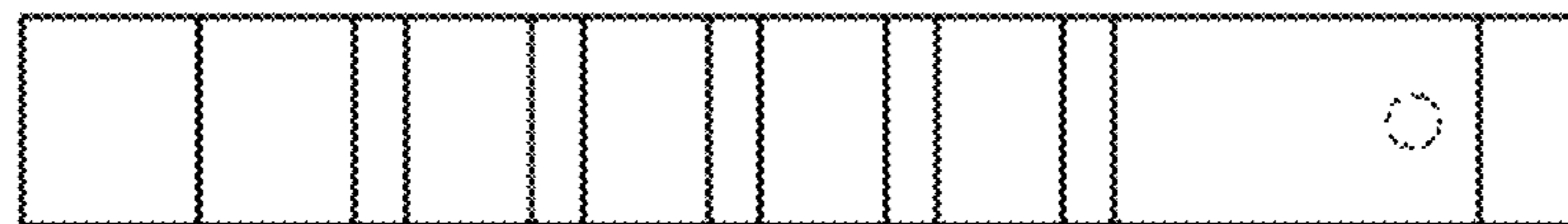


Fig. 2

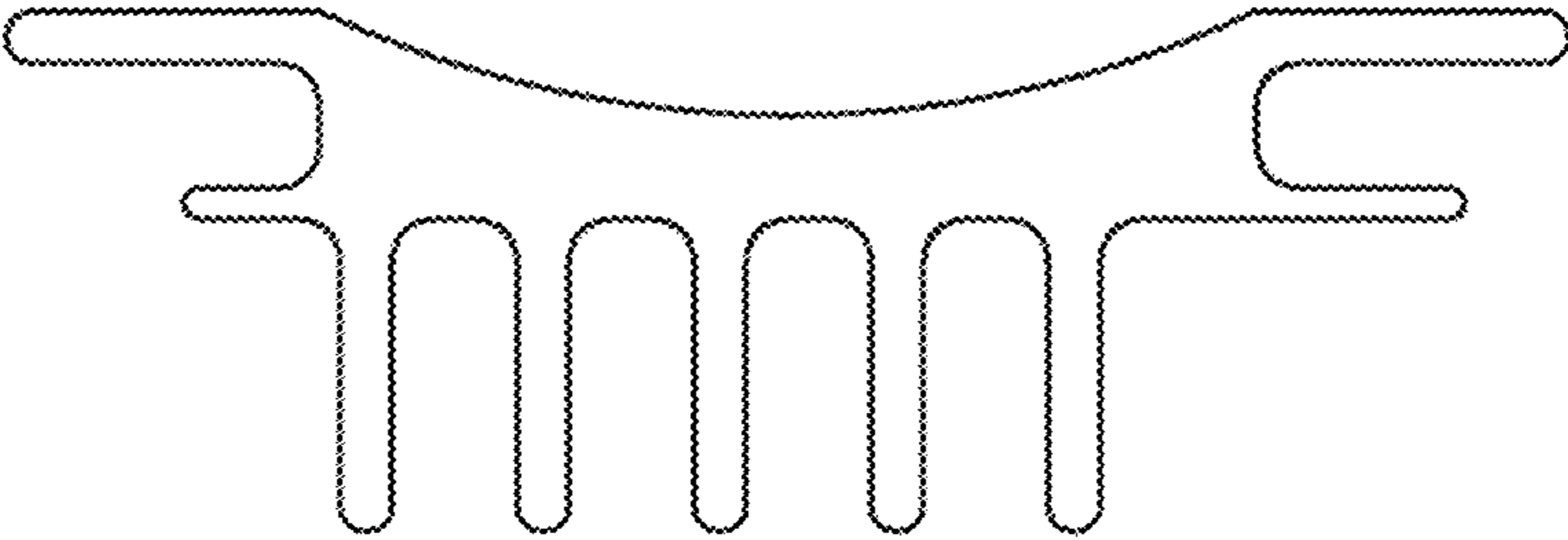


Fig. 3

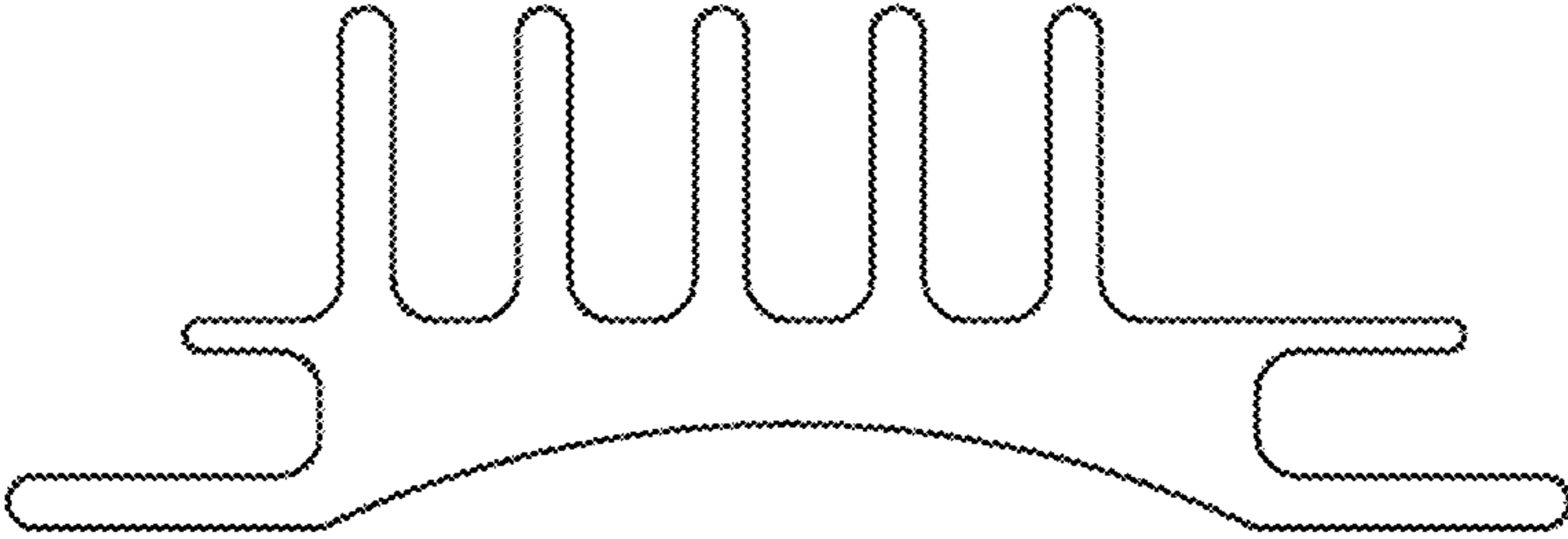


Fig. 4



Fig. 5

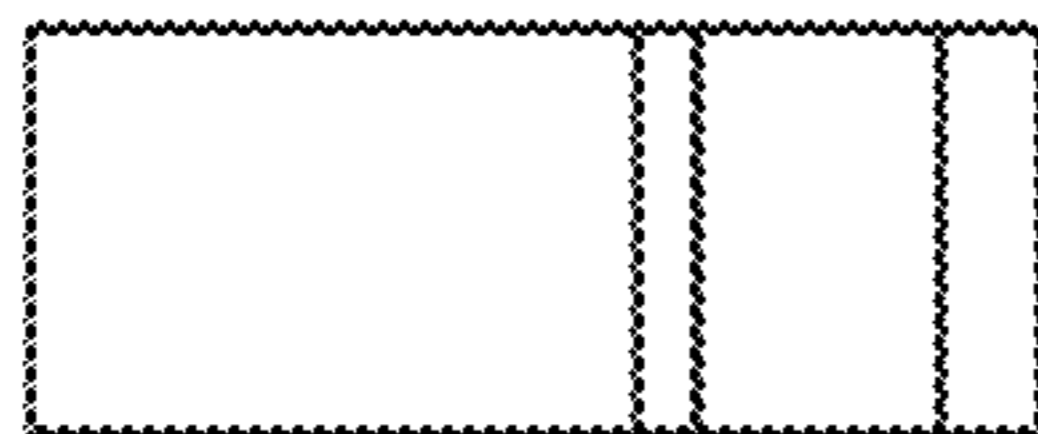


Fig. 6

Fig. 7

