



US00D957192S

(12) **United States Design Patent**
Hendifar

(10) **Patent No.:** **US D957,192 S**
(45) **Date of Patent:** **** Jul. 12, 2022**

- (54) **TRAY**
- (71) Applicant: **Apparatus LLC**, New York, NY (US)
- (72) Inventor: **Gabriel Hendifar**, New York, NY (US)
- (73) Assignee: **APPARATUS LLC**, New York, NY (US)
- (**) Term: **15 Years**
- (21) Appl. No.: **29/652,969**
- (22) Filed: **Jan. 26, 2021**
- (51) **LOC (13) Cl.** **07-02**
- (52) **U.S. Cl.**
USPC **D7/409**; D7/354
- (58) **Field of Classification Search**
USPC D7/323, 354-363, 391, 393-396, 396.2, D7/409; D11/152
CPC A47G 19/12; A47J 27/00; A47J 27/002; A47J 27/04; A47J 27/08; A47J 27/13; A47J 27/21; A47J 27/58; A47J 36/025; A47J 36/02; A47J 36/06; A47J 36/12; A47J 37/00; A47J 37/0704; A47J 37/10; A47J 37/101; A47J 37/103; A47J 37/106; A47J 37/12; A47J 37/1204; A47J 45/061; A47J 45/071; A47J 45/08; H05B 6/12; A23B 4/052
See application file for complete search history.

D453,488 S *	2/2002	McCauley	D11/152
6,502,501 B1 *	1/2003	Simon	A47J 27/04 99/347
D666,866 S *	9/2012	Lion	D7/354
D798,649 S *	10/2017	Keating	D7/354
D810,497 S *	2/2018	Costa Llonch	D7/354
10,149,573 B2 *	12/2018	Volatier	A23B 4/052
D896,025 S *	9/2020	Moulder	D7/392.1
2011/0252977 A1 *	10/2011	Sacherman	A47J 37/0704 99/450
2013/0306646 A1 *	11/2013	Cheng	A47J 27/13 220/573.5

* cited by examiner

Primary Examiner — Ricky Pham

(74) *Attorney, Agent, or Firm* — Gottlieb, Rackman & Reisman, P C.

(57) **CLAIM**

The ornamental design for a tray, as shown and described.

DESCRIPTION

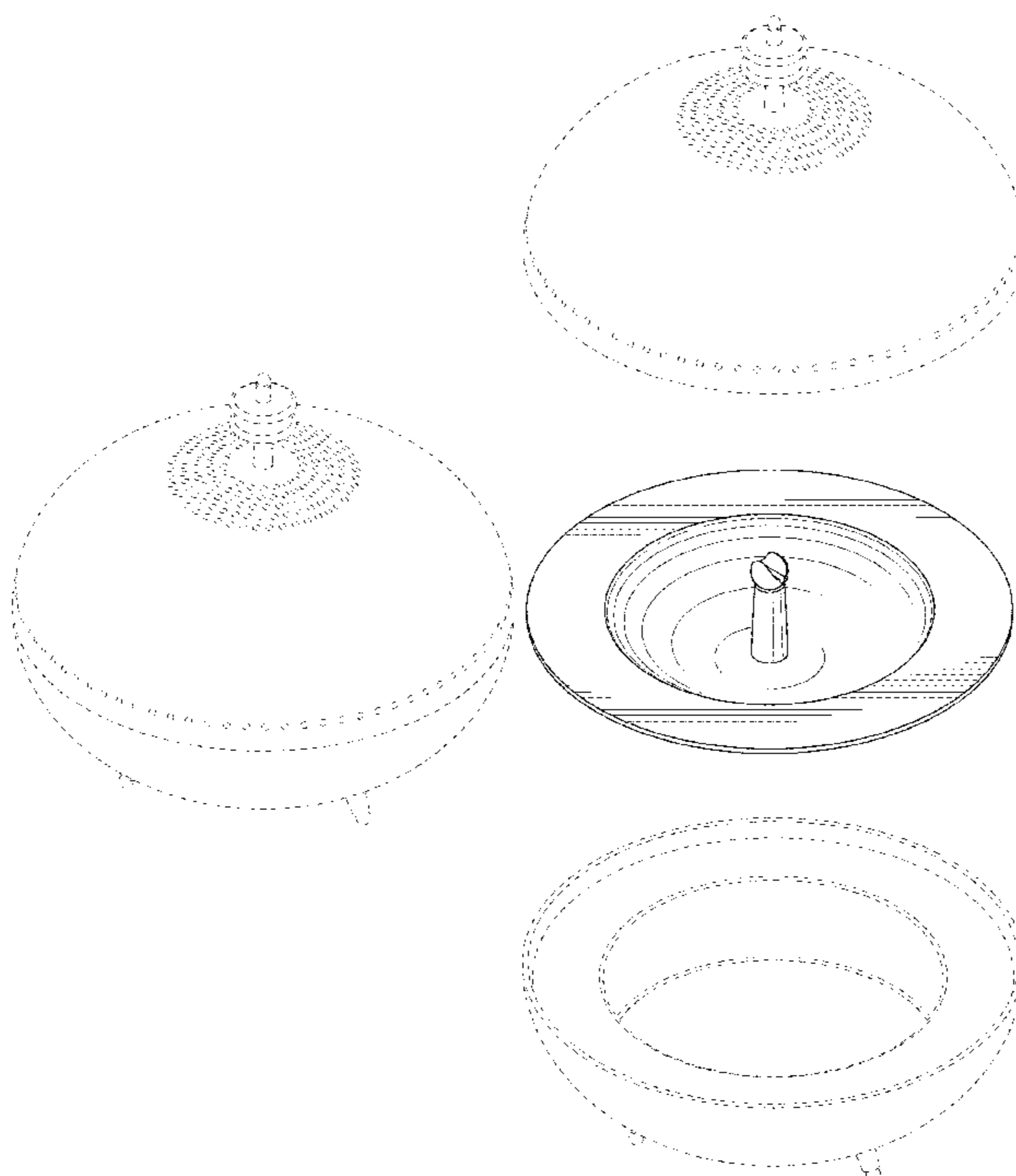
FIG. 1 is a front top perspective view of a case enclosing a tray showing my new design;
 FIG. 2 is an exploded front top perspective view thereof;
 FIG. 3 is a front elevational view of a tray;
 FIG. 4 is a rear elevational view thereof;
 FIG. 5 is a left side elevational view thereof;
 FIG. 6 is a right side elevational view thereof;
 FIG. 7 is a top plan view thereof; and,
 FIG. 8 is a bottom plan view thereof.
 The broken lines shown in FIGS. 1-2 are included for the purpose of illustrating elements of the container that form no part of the claimed design.

(56) **References Cited**

U.S. PATENT DOCUMENTS

D437,522 S *	2/2001	Measom	D7/354
6,272,976 B1 *	8/2001	Berryman	A47J 37/106 99/347

1 Claim, 5 Drawing Sheets



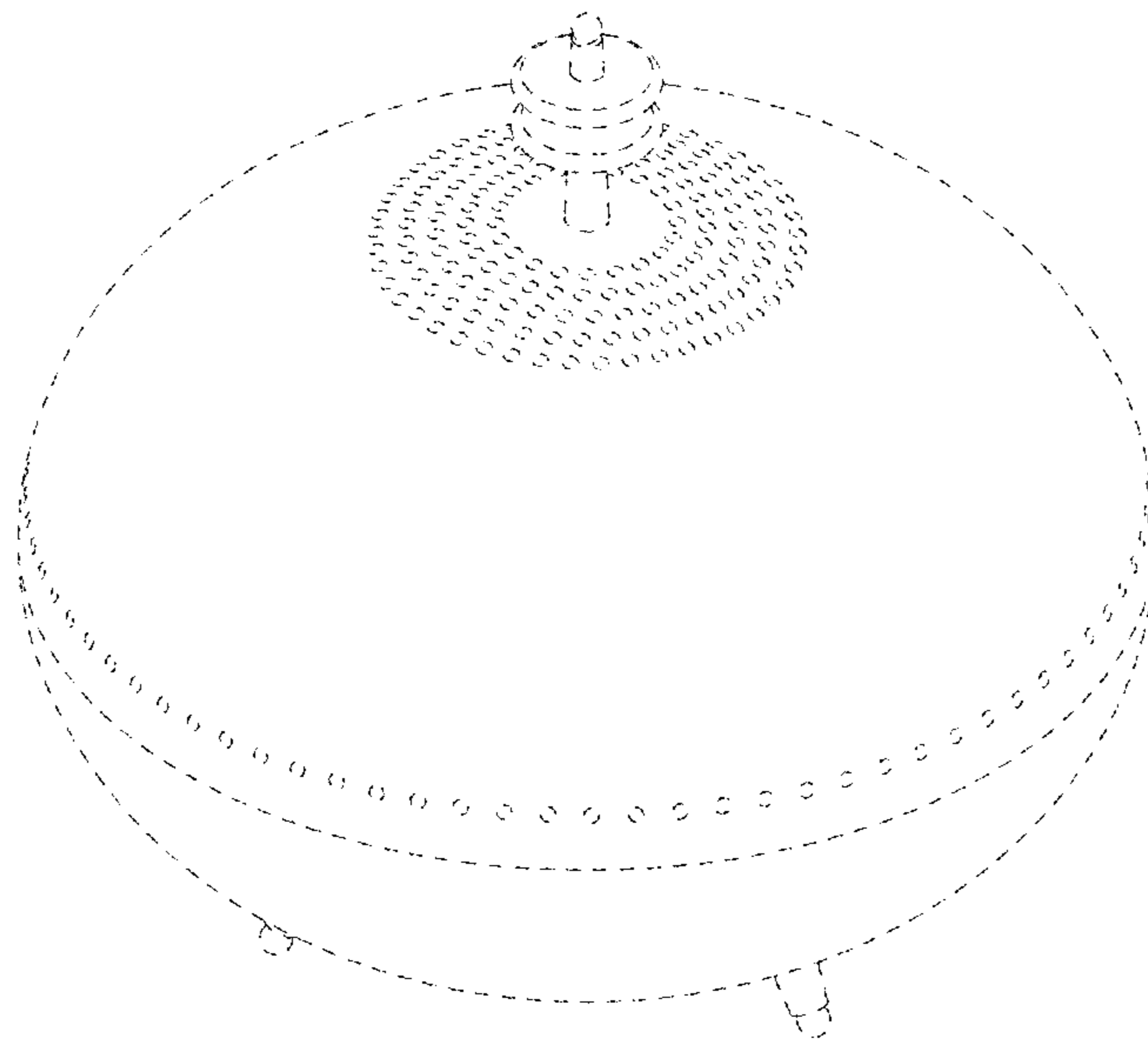


FIG. 1

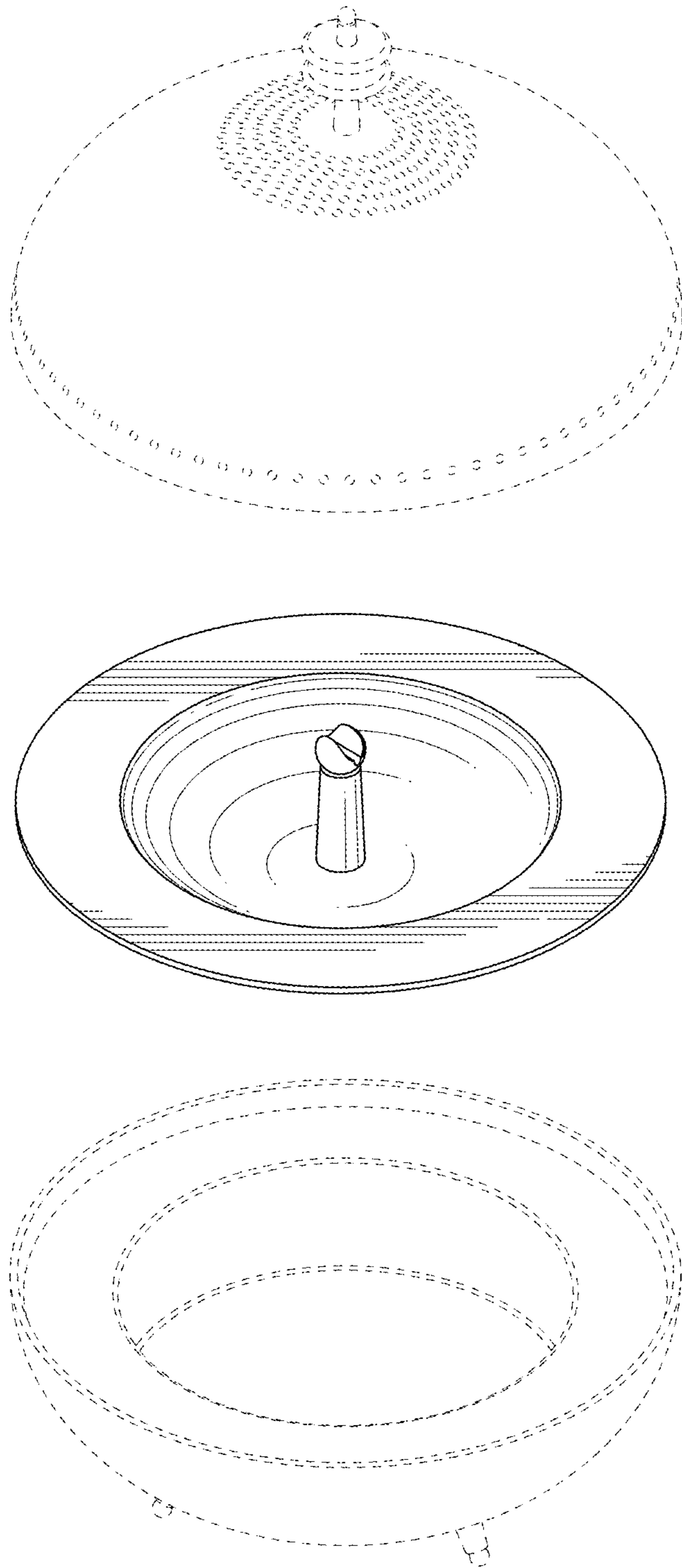


FIG. 2

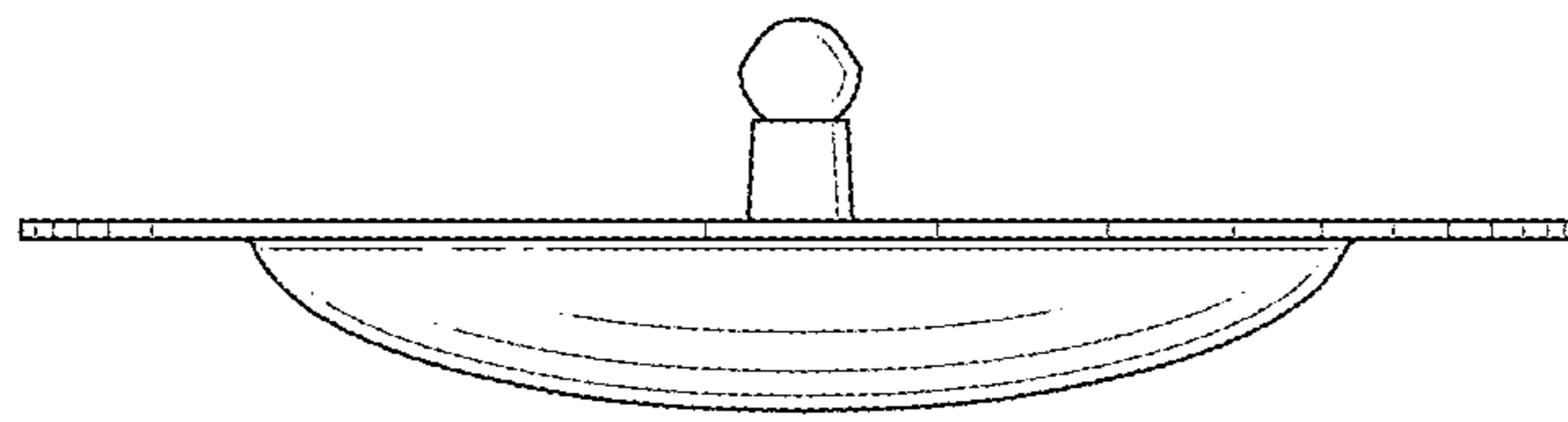


FIG. 3

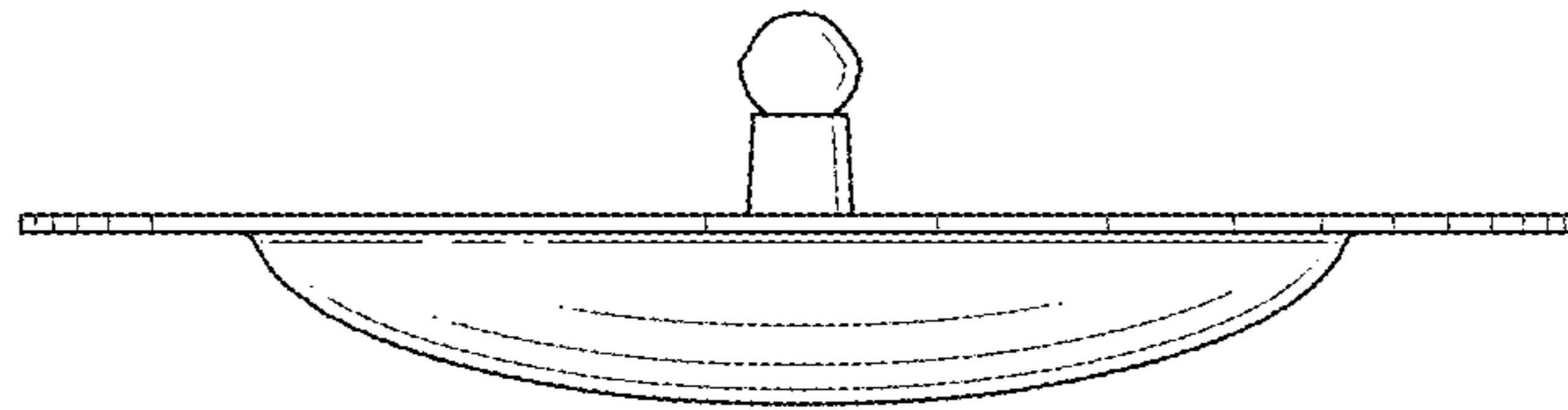


FIG. 4

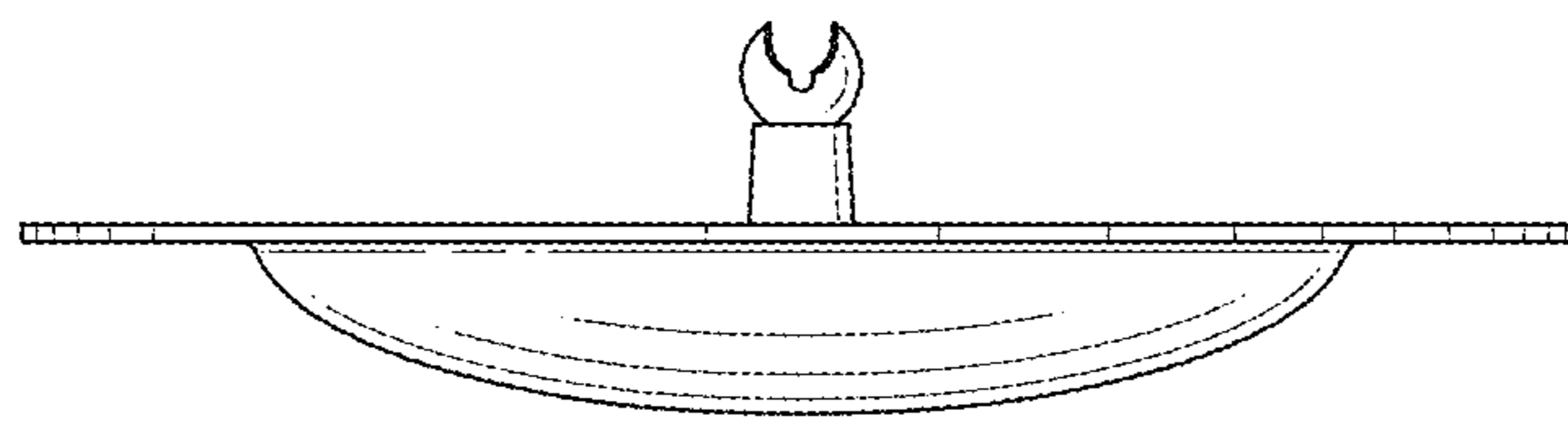


FIG. 5

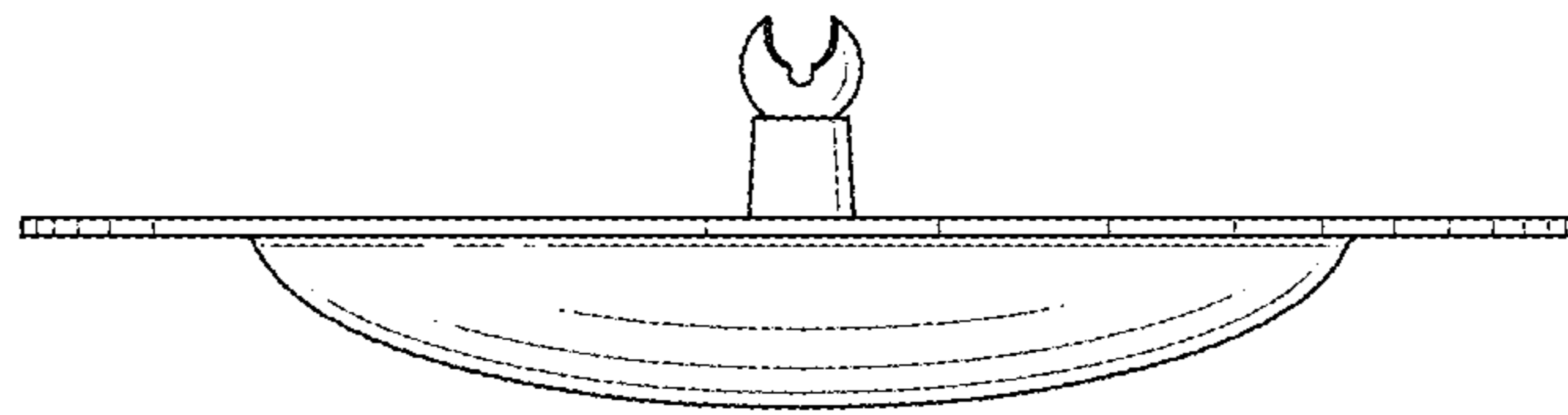


FIG. 6

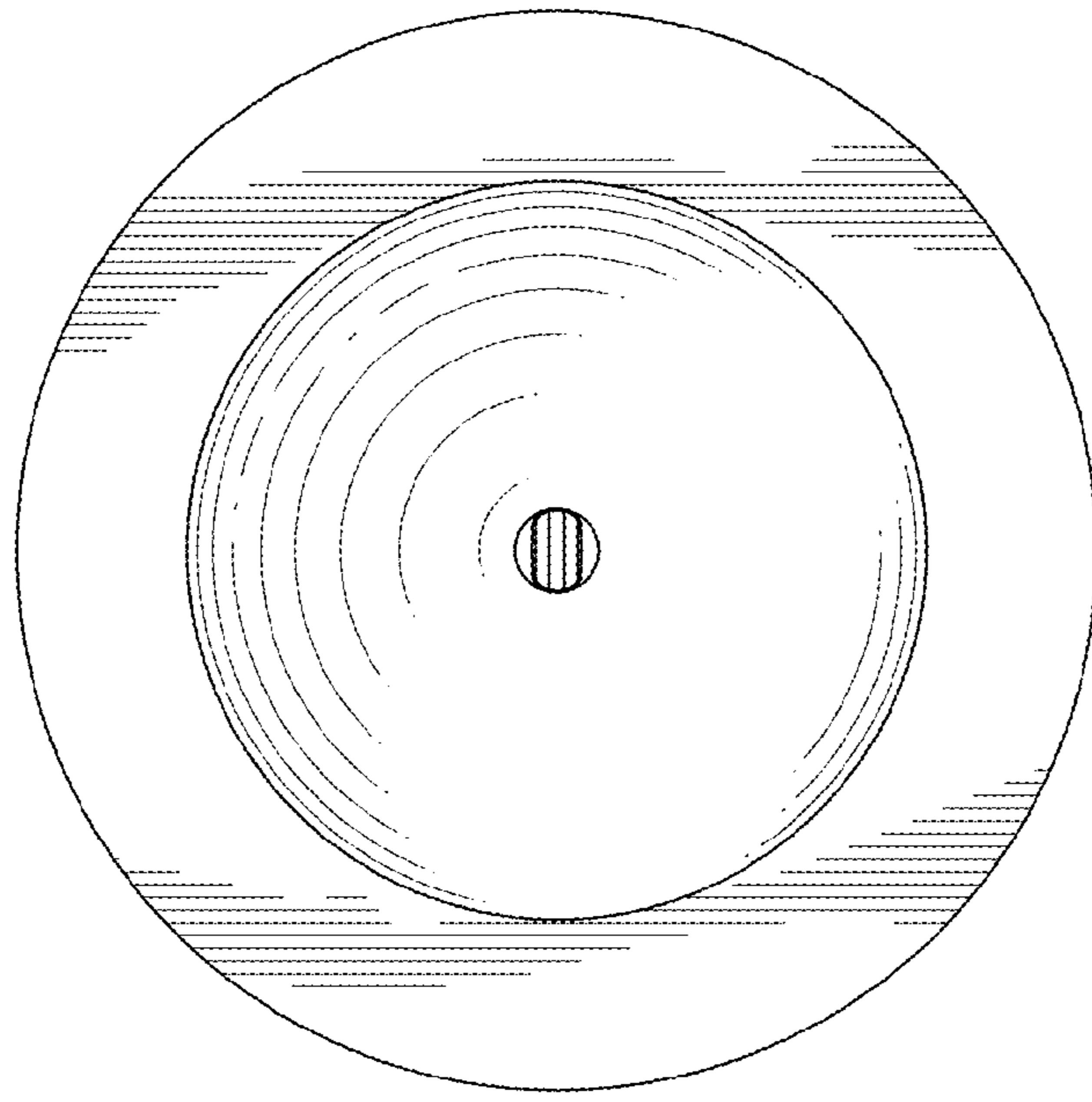


FIG. 7

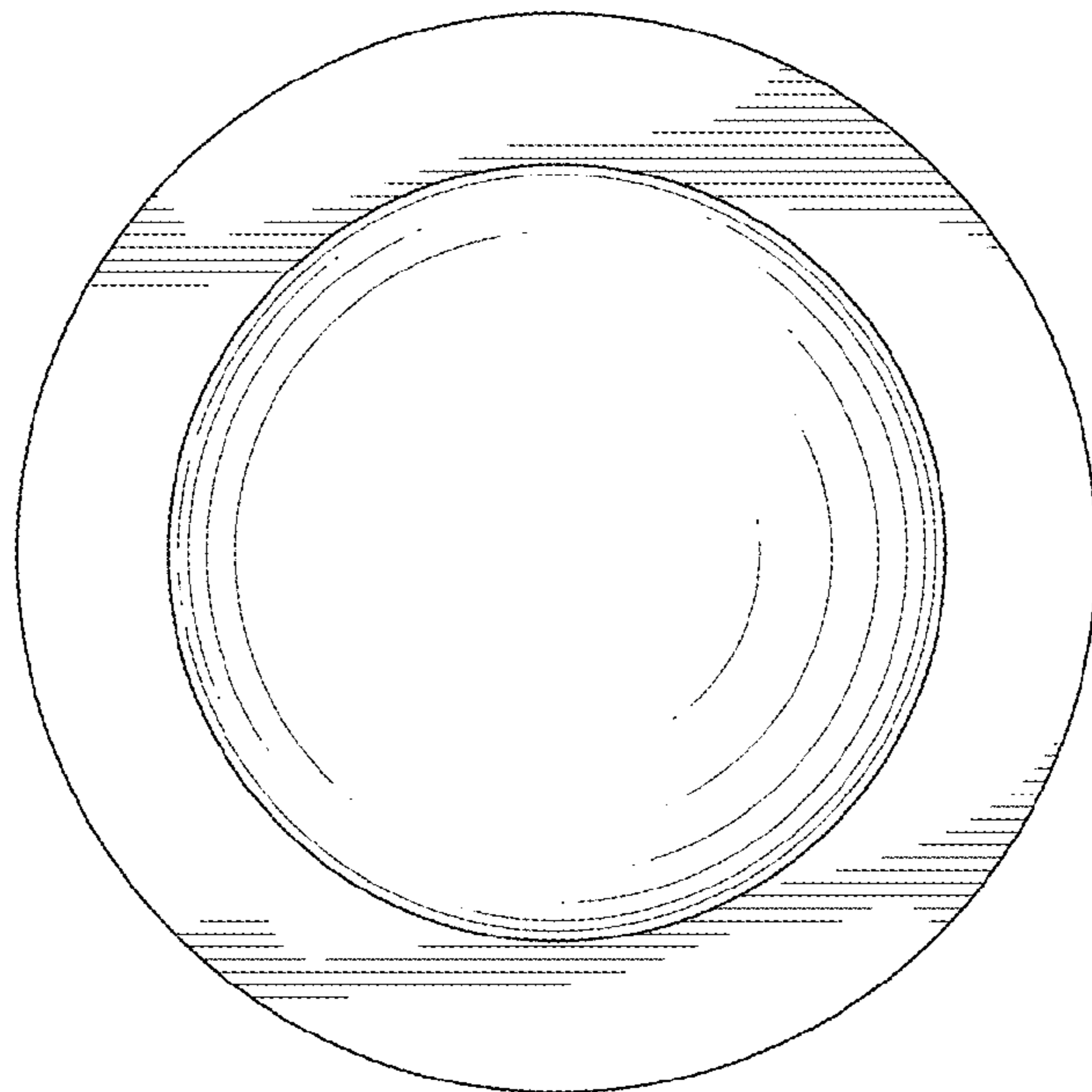


FIG. 8