



US00D957191S

(12) **United States Design Patent** (10) **Patent No.:** **US D957,191 S**  
**Dhokale et al.** (45) **Date of Patent:** **\*\* Jul. 12, 2022**

(54) **TILTED FRONT CONSOLE FOR A COOKING APPLIANCE**

(71) Applicant: **WHIRLPOOL CORPORATION**,  
Benton Harbor, MI (US)

(72) Inventors: **Rahul Maruti Dhokale**, Pune (IN);  
**Nikhil Bharat Kahane**, Maharashtra  
(IN); **Pravin Ambadas Shinde**, Pune  
(IN)

(73) Assignee: **Whirlpool Corporation**, Benton  
Harbor, MI (US)

(\*\*) Term: **15 Years**

(21) Appl. No.: **29/751,723**

(22) Filed: **Sep. 23, 2020**

(51) **LOC (13) Cl.** ..... **07-02**

(52) **U.S. Cl.**  
USPC ..... **D7/406**

(58) **Field of Classification Search**  
USPC ..... D7/402-409, 332-337, 339-341,  
D7/346-349, 352, 354-355, 362-363,  
D7/338; D6/552

(Continued)

(56) **References Cited**

**U.S. PATENT DOCUMENTS**

2,661,732 A 12/1953 O'Keefe  
3,877,457 A 4/1975 Doner

(Continued)

**FOREIGN PATENT DOCUMENTS**

KR 20190065969 6/2019  
KR 3008878090000 7/2019

(Continued)

**OTHER PUBLICATIONS**

Samsung 30 in 5.8 cu ft Single Oven Door Gas Range with  
Illuminated Knobs with True Convection Oven in Stainless Steel,

posted on HomeDepot.com, currently discontinued, [site visited  
Sep. 23, 2020] Available from Internet, URL:https://www.homedepot.  
com/p/Samsung-30-in-5-8-cu-ft-Single-Oven-Door-Gas-Range-with-  
Illuminated-Knobs-with-True-Convection-Oven-in-Stainless-Steel-  
NX58M6630SS/303157636.

(Continued)

*Primary Examiner* — Sheryl Lane  
*Assistant Examiner* — Nicole C Shiflet

(74) *Attorney, Agent, or Firm* — Price Heneveld LLP

(57) **CLAIM**

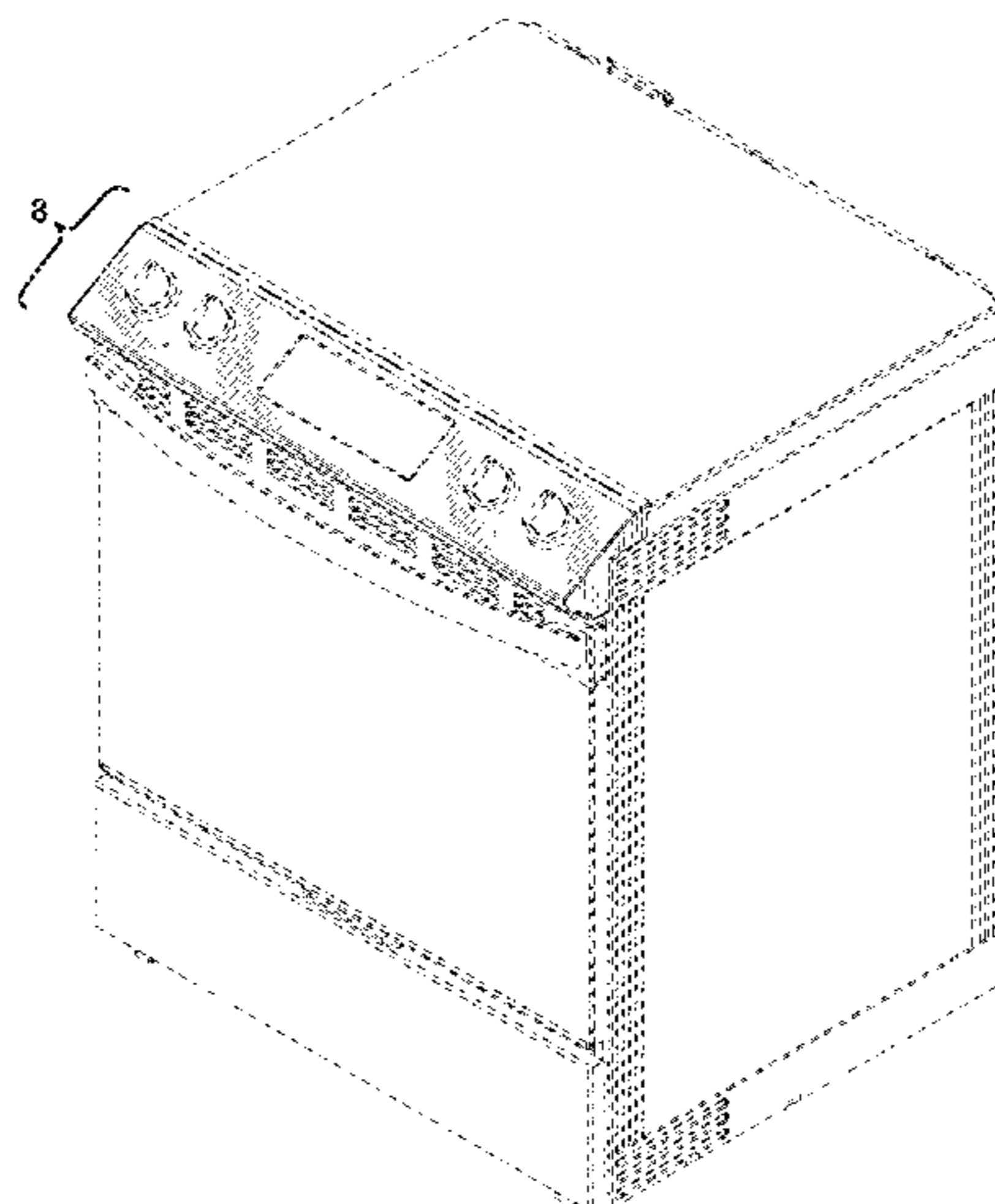
The ornamental design for a tilted front console for a  
cooking appliance, as shown and described.

**DESCRIPTION**

FIG. 1 is a top perspective view of a tilted front console for  
a cooking appliance, according to a the claimed design;  
FIG. 2 is a front elevation view thereof;  
FIG. 3 is a first side elevation view thereof;  
FIG. 4 is a second side elevation view thereof;  
FIG. 5 is a top plan view thereof;  
FIG. 6 is a bottom perspective view thereof;  
FIG. 7 is a back perspective view thereof;  
FIG. 8 is a partial enlarged top perspective view of area 8  
indicated in FIG. 1;  
FIG. 9 is a partial enlarged front elevation view of area 9  
indicated in FIG. 2;  
FIG. 10 is a partial enlarged first side elevation view of area  
10 indicated in FIG. 3;  
FIG. 11 is a partial enlarged second side elevation view of  
area 11 indicated in FIG. 4;  
FIG. 12 is a partial enlarged top plan view of area 12  
indicated in FIG. 5;  
FIG. 13 is a partial enlarged bottom perspective view of area  
13 indicated in FIG. 6; and,  
FIG. 14 is a partial enlarged back perspective view of area  
14 indicated in FIG. 7.

The portions of the article shown in even broken line form  
no part of the claimed design. Dash-dot lines adjacent  
un-shaded areas represent bounds of the claimed design and

(Continued)



form no part of the claimed design. The brackets, numbers, and jagged break lines showing enlarged areas form no part of the claimed design.

**1 Claim, 14 Drawing Sheets**

**(58) Field of Classification Search**

CPC ..... F24C 15/16; F24C 15/12; F24C 15/10;  
F24C 7/083; F24C 3/082; F24C 3/085;  
A47J 37/07; A47J 37/0704

See application file for complete search history.

**(56)**

**References Cited**

U.S. PATENT DOCUMENTS

D397,909	S	*	9/1998	Ashcraft	.....	D7/405
D443,178	S	*	6/2001	Segers	.....	D7/349
D555,976	S		11/2007	Baldwin		
D564,282	S		3/2008	Suh et al.		
D755,008	S	*	5/2016	Kim	.....	D7/406
D773,232	S	*	12/2016	Shoemaker	.....	D7/339
D781,648	S	*	3/2017	Shoemaker	.....	D7/406
D790,916	S	*	7/2017	Kim	.....	D7/406

D814,229	S	*	4/2018	Hu	.....	D7/340
D817,066	S	*	5/2018	Shoemaker	.....	D7/339
10,309,657	B2	*	6/2019	Trice	.....	F24C 3/027
D862,168	S	*	10/2019	Kim	.....	D7/406
D874,220	S	*	2/2020	Kim	.....	D7/406
D874,221	S	*	2/2020	Kim	.....	D7/406
D929,169	S	*	8/2021	Ryu	.....	D7/340

FOREIGN PATENT DOCUMENTS

WO	2018121951	A1	7/2018
WO	D101518-001		11/2018

OTHER PUBLICATIONS

Whirlpool GW399LXUS 30" Slide-In Gas Range, posted on American Freight.com, [site visted Sep. 23, 2020], Available from Internet, URL:<https://www.americanfreight.com/br/pdp/whiripool-gw399lxus-30-slide-in-gas-range/204449>.

5.0 cu. ft. Slide-In Gas Range in Stainless Steel, posted on HomeDepot.com, [site visited Sep. 23, 2020], Available from Internet, URL:<https://www.homedepot.com/p/Whirlpool-5-0-cu-ft-Slide-In-Gas-Range-in-Stainless-Steel-WEG515S0FS/300119729>.

\* cited by examiner

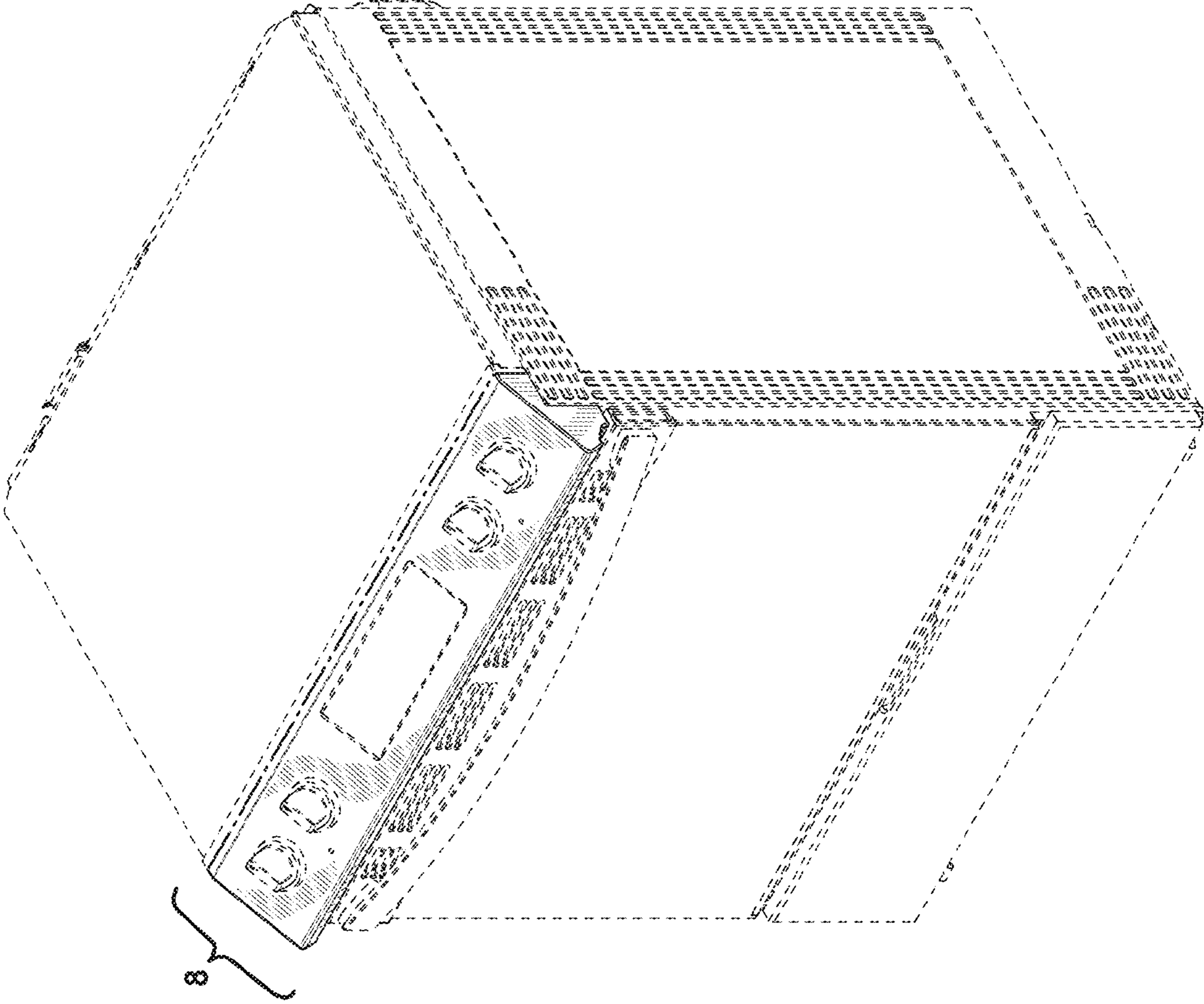


FIG. 1

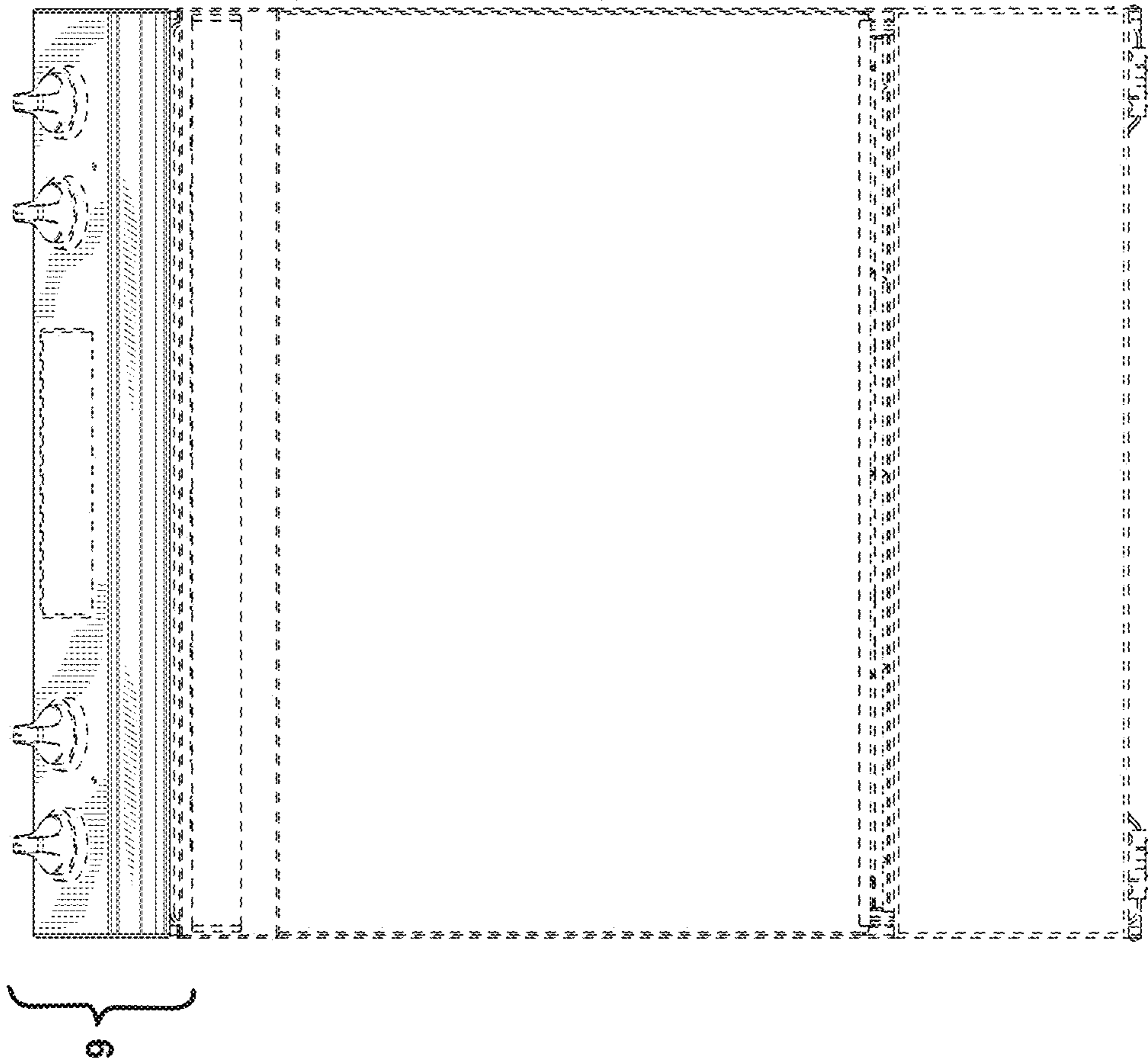


FIG. 2

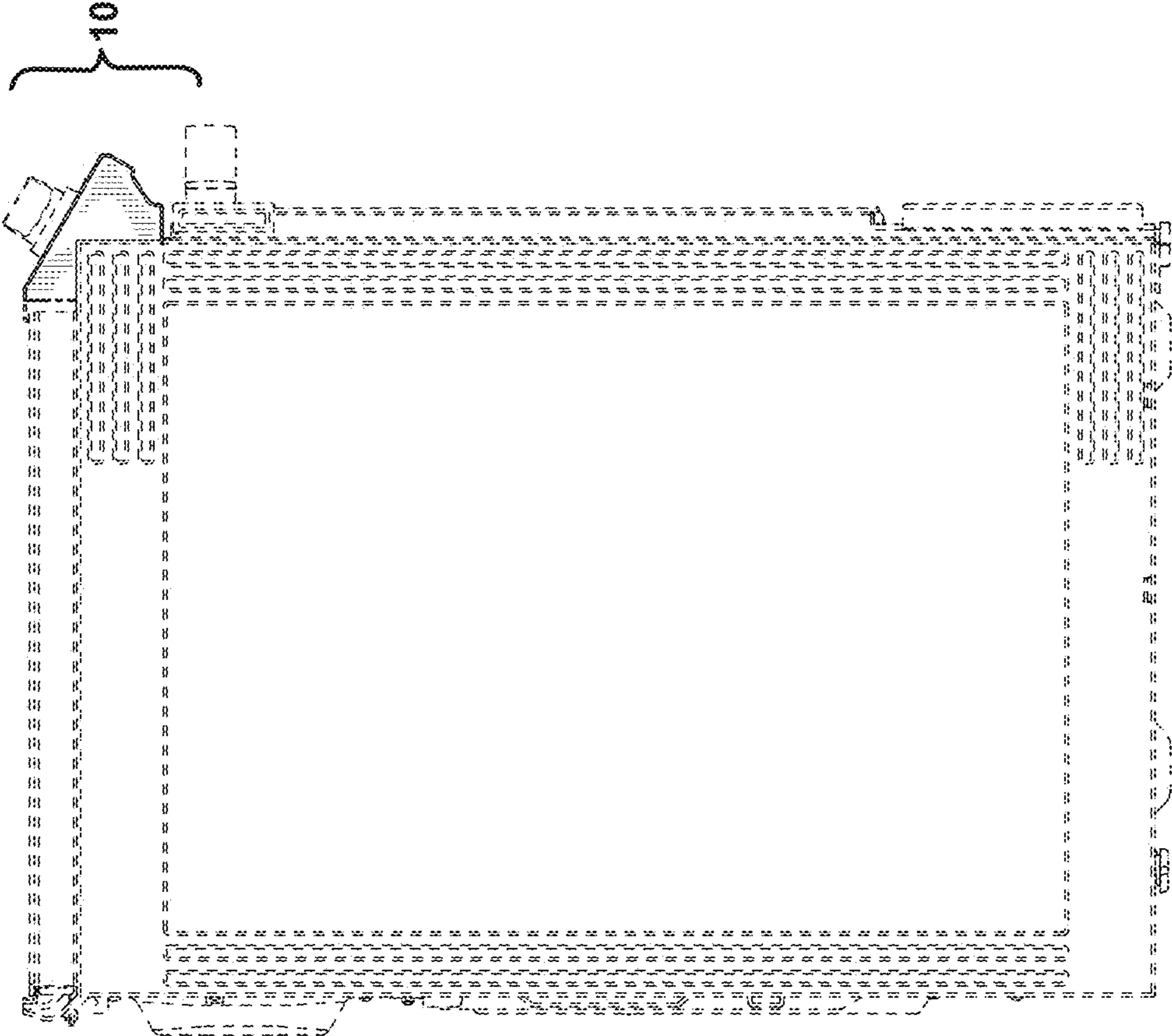


FIG. 3

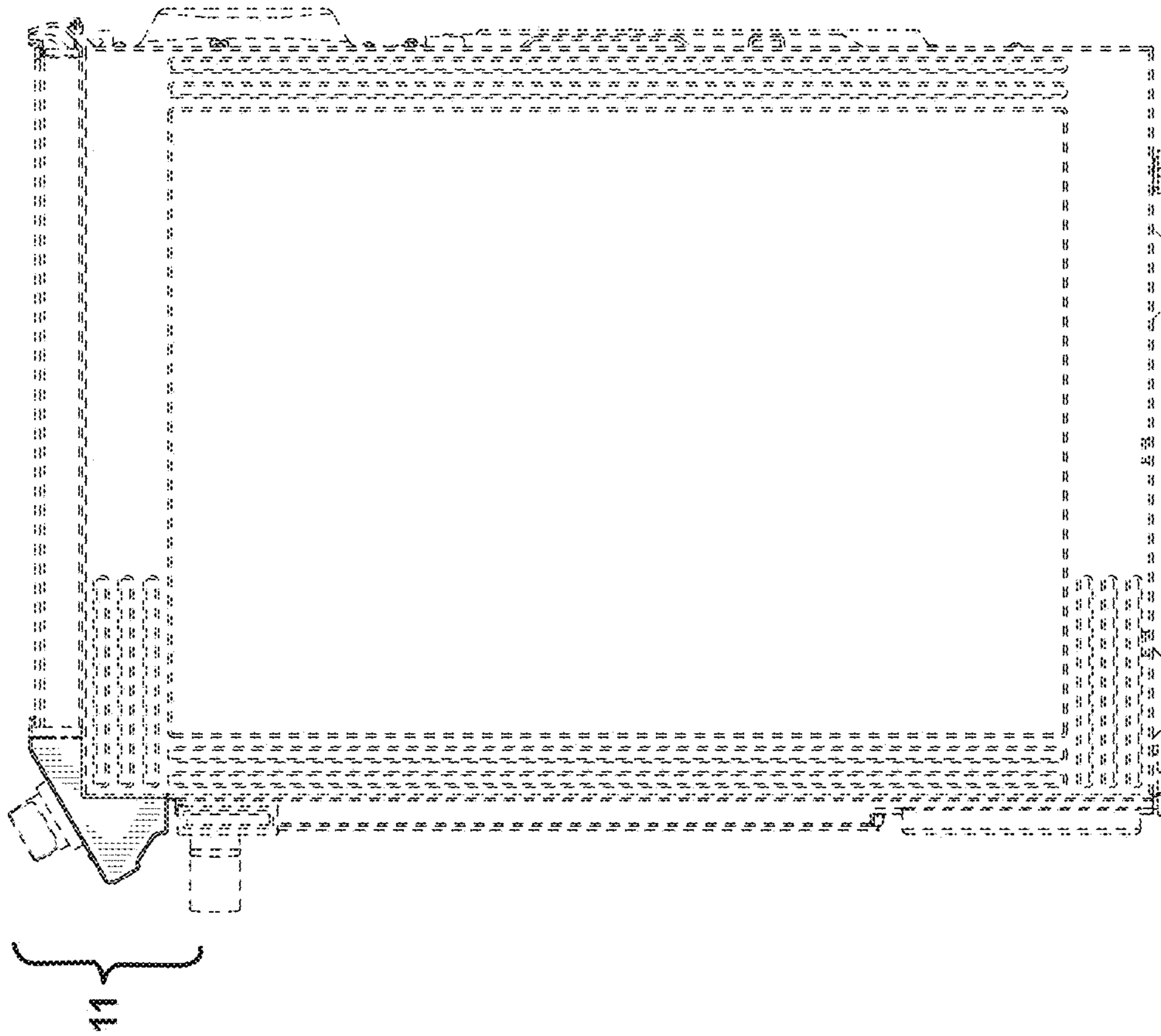


FIG. 4

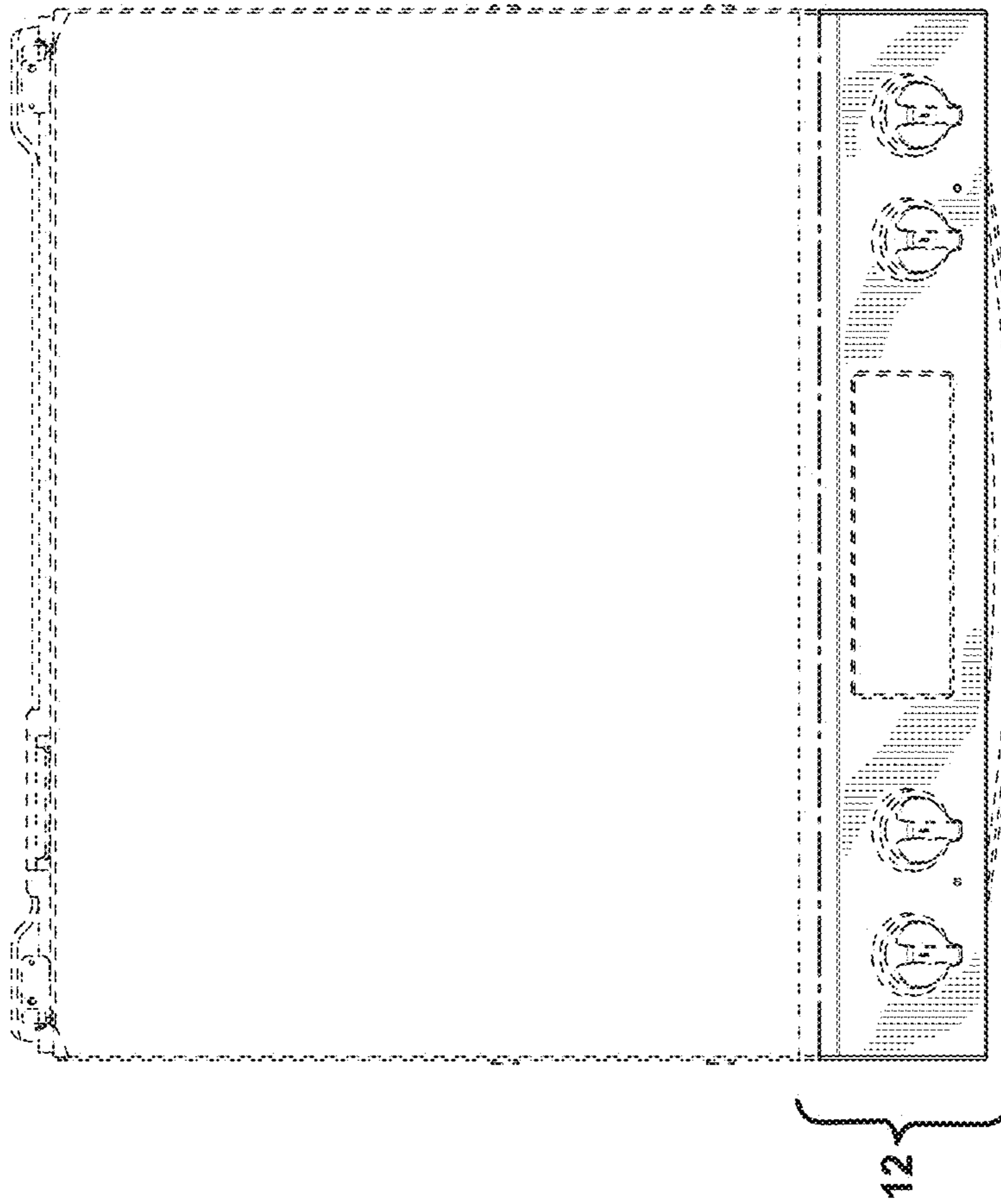


FIG. 5

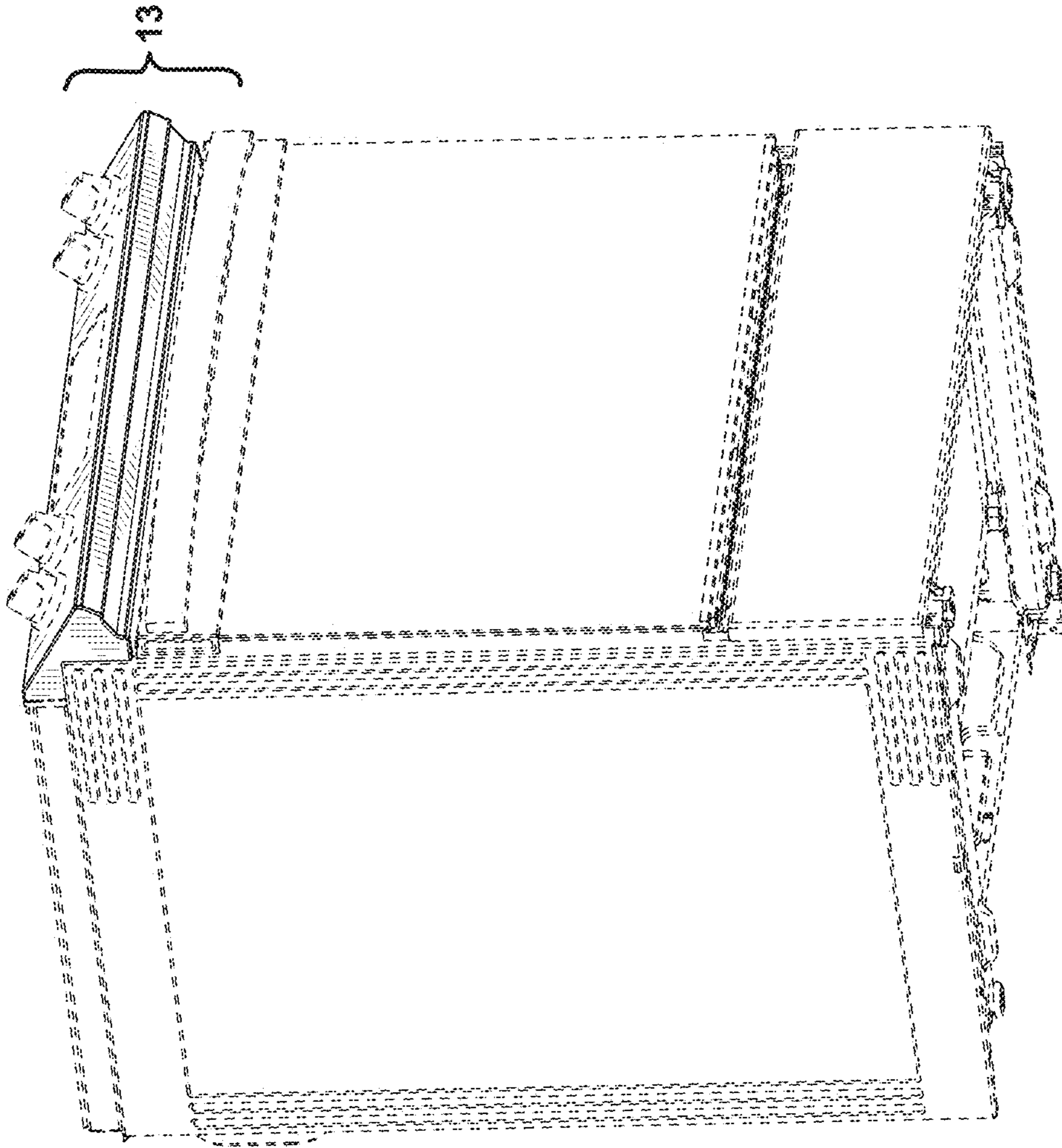


FIG. 6



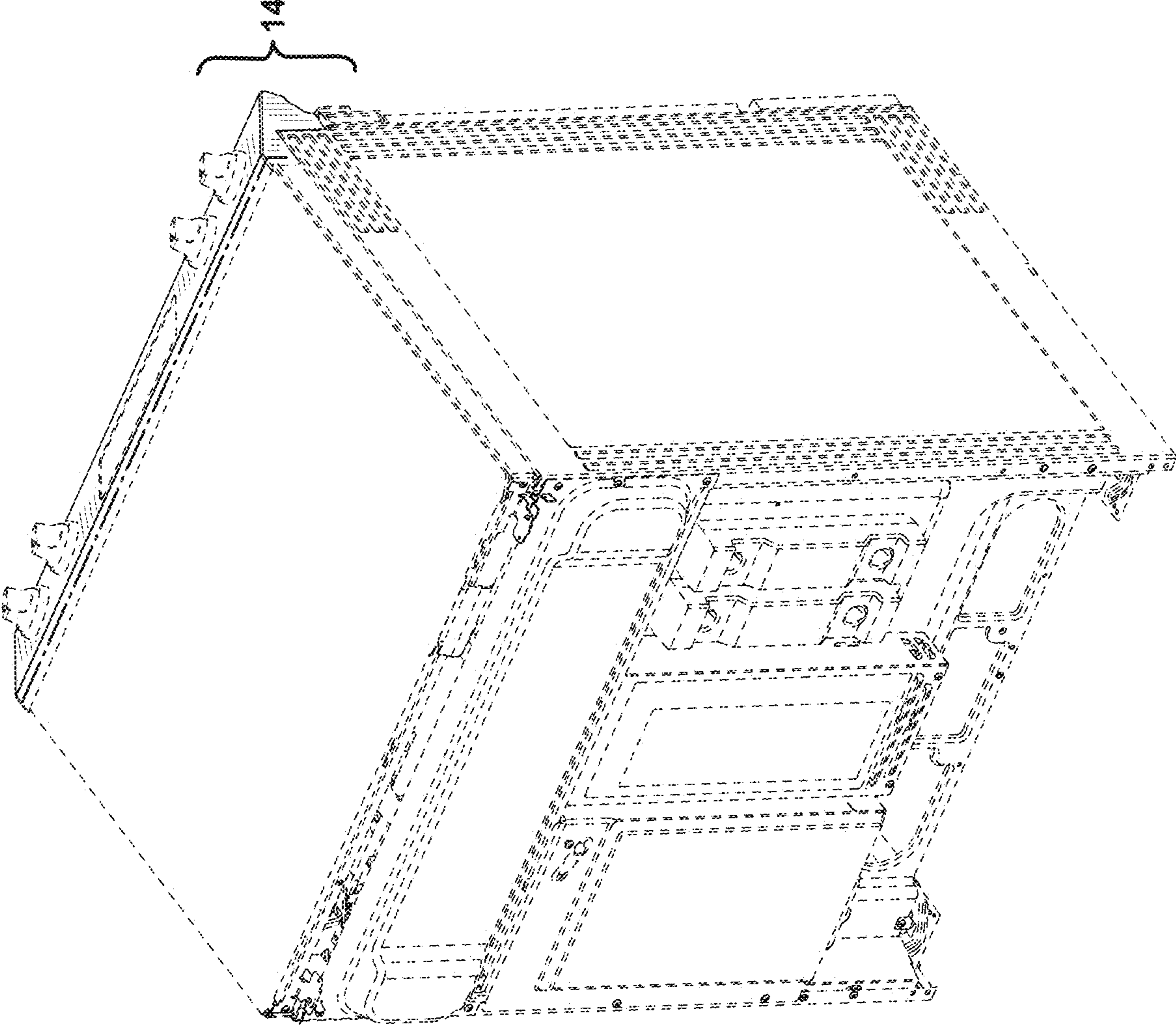


FIG. 7

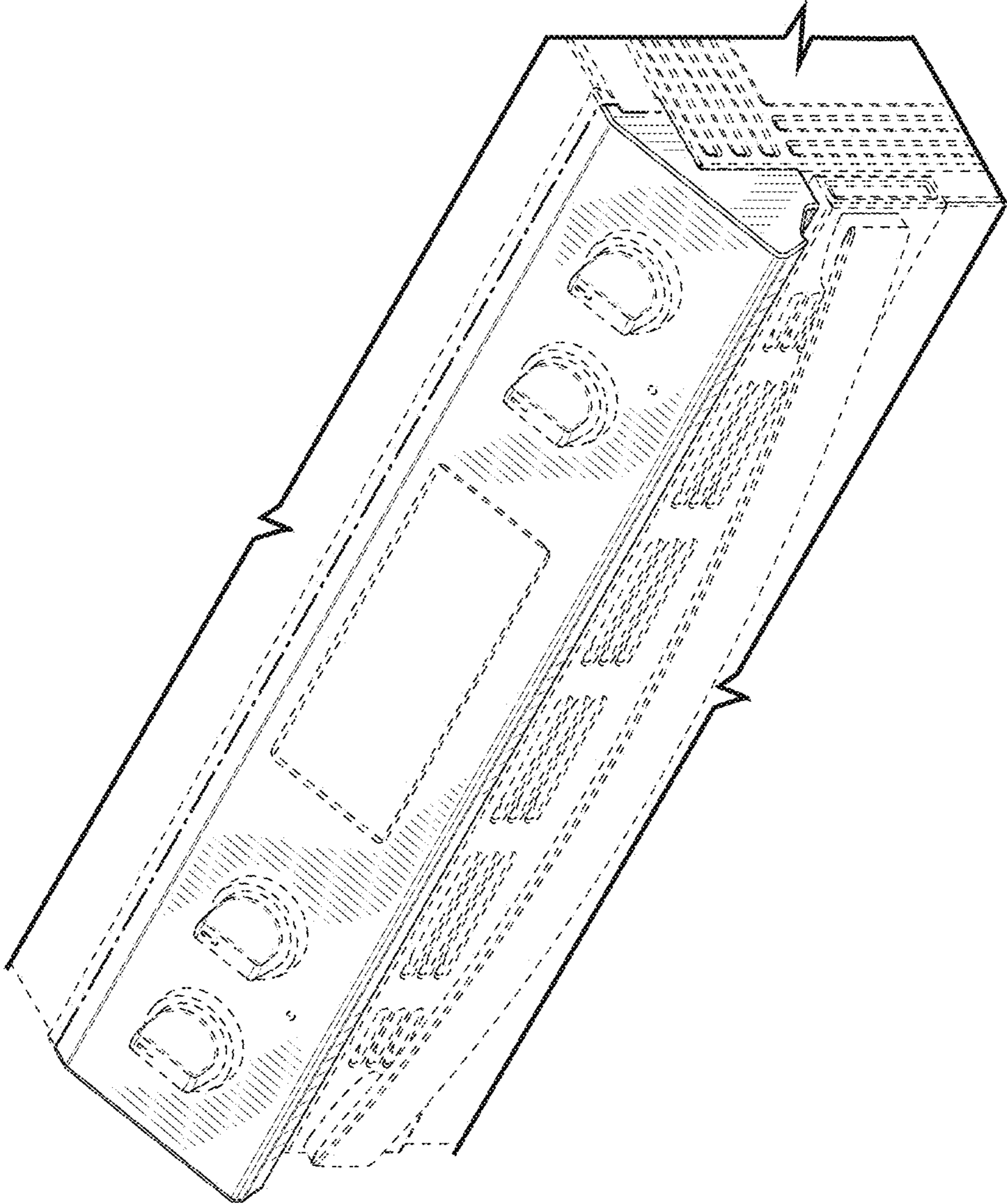


FIG. 8

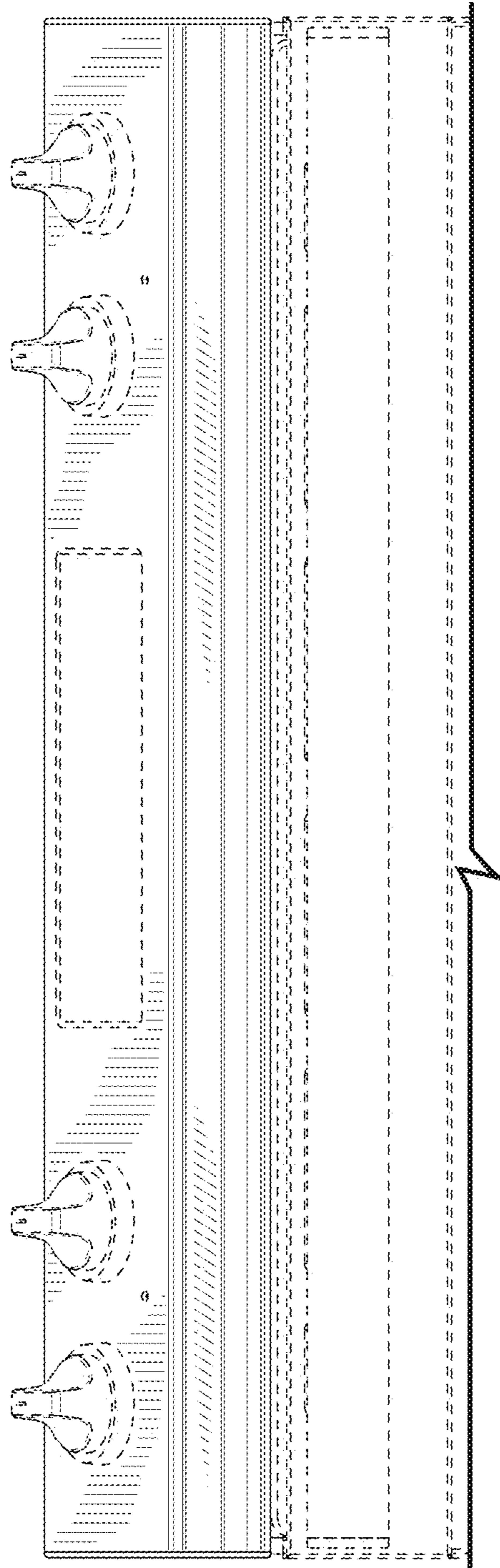
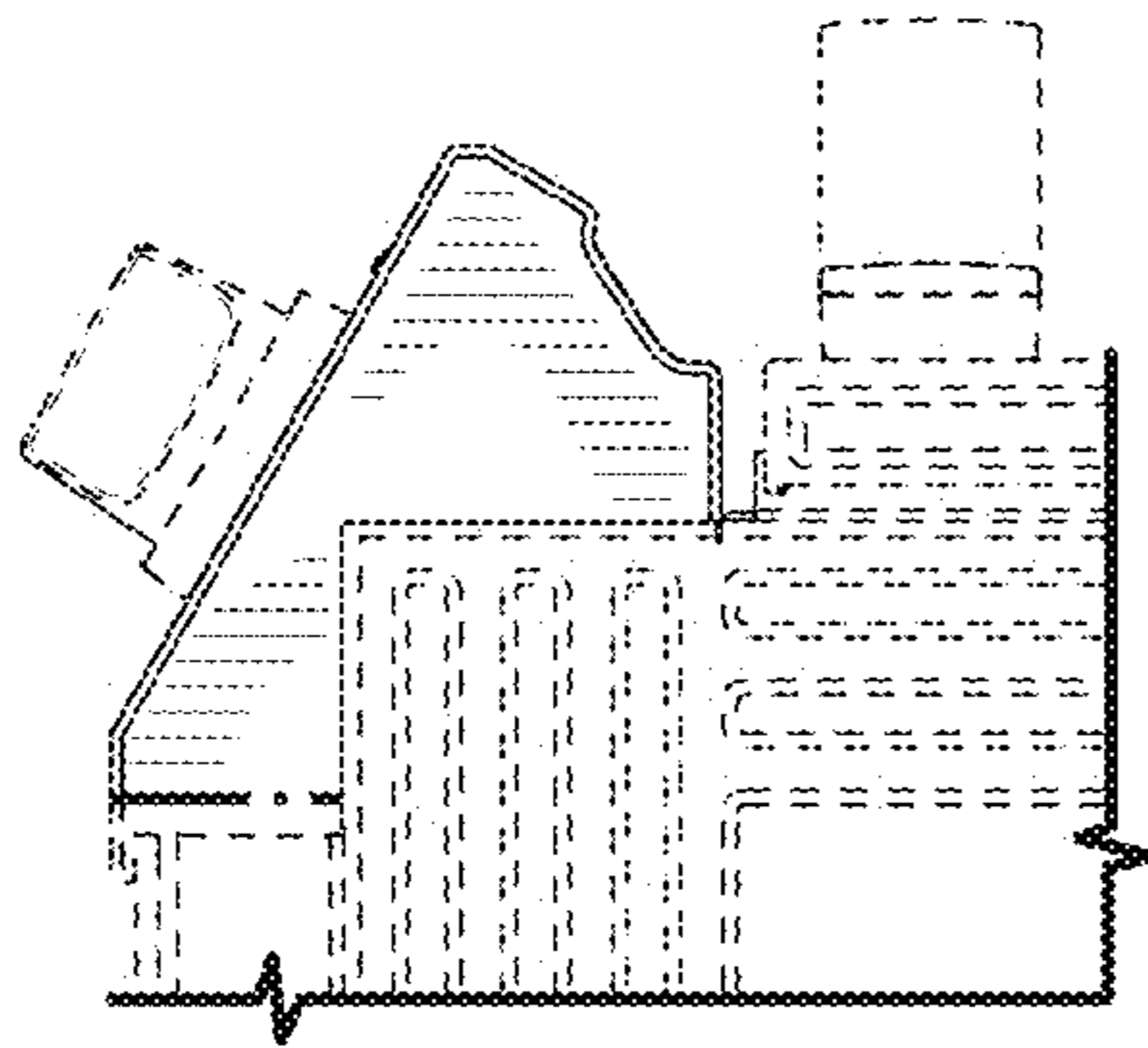


FIG. 9



**FIG. 10**

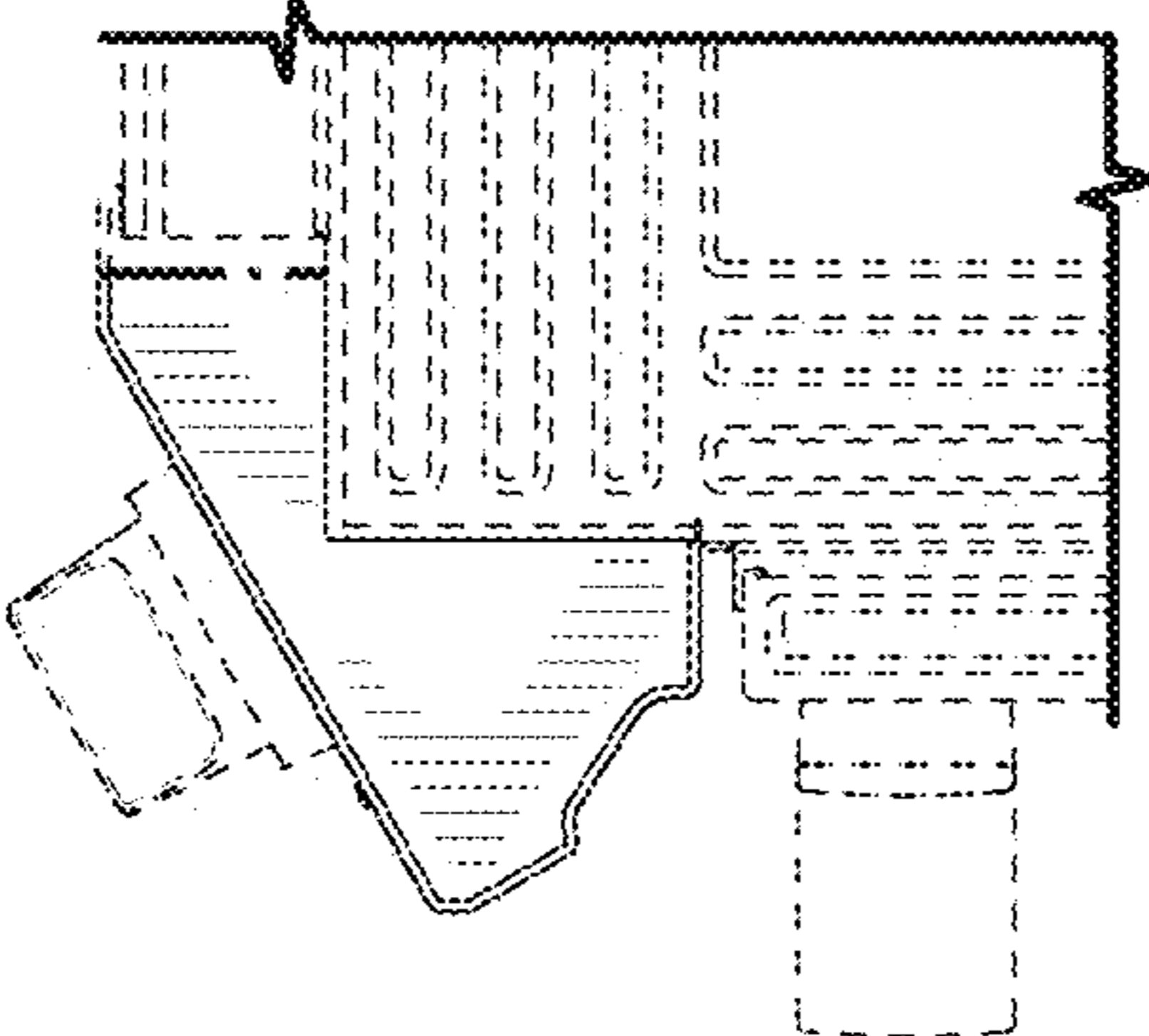


FIG. 11

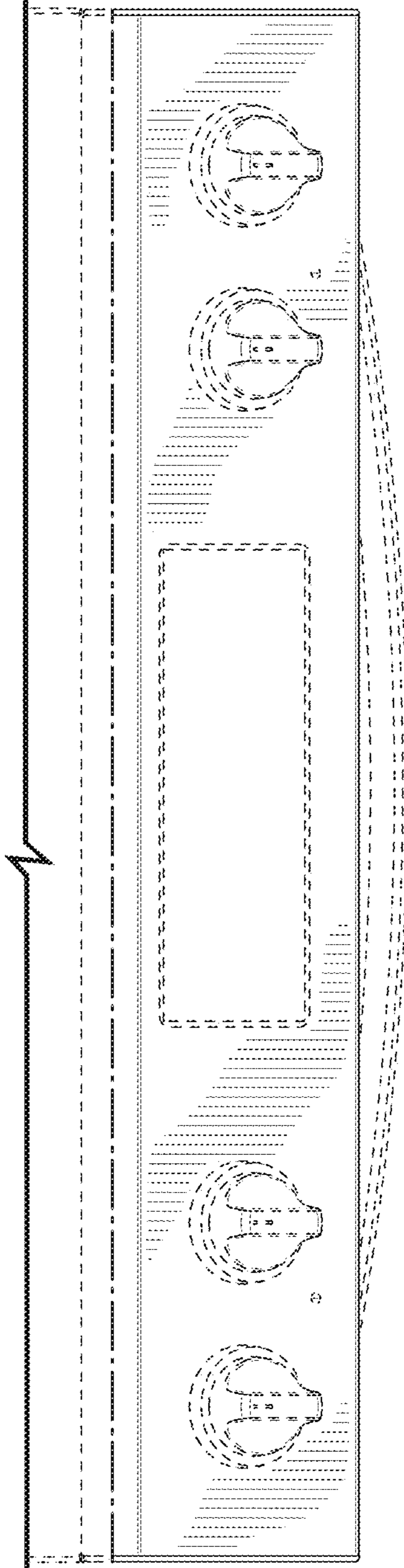


FIG. 12

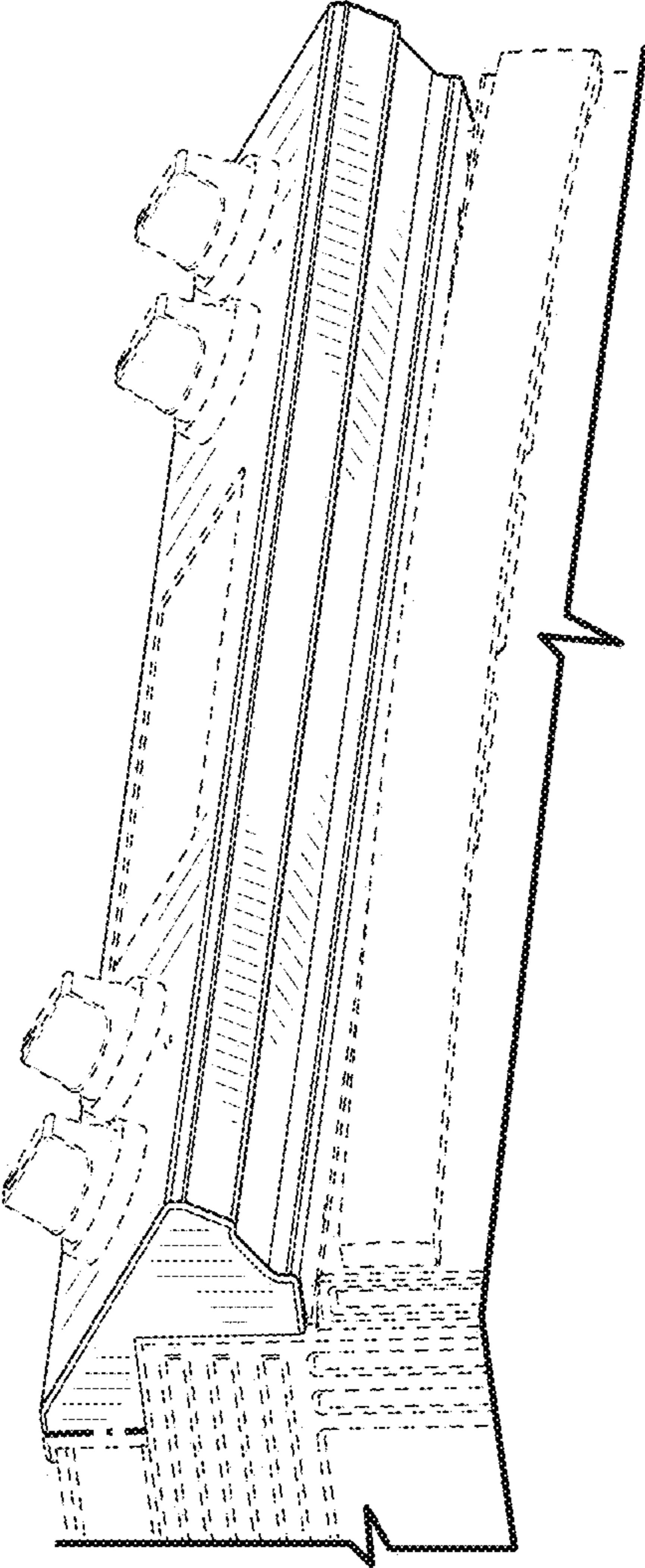


FIG. 13

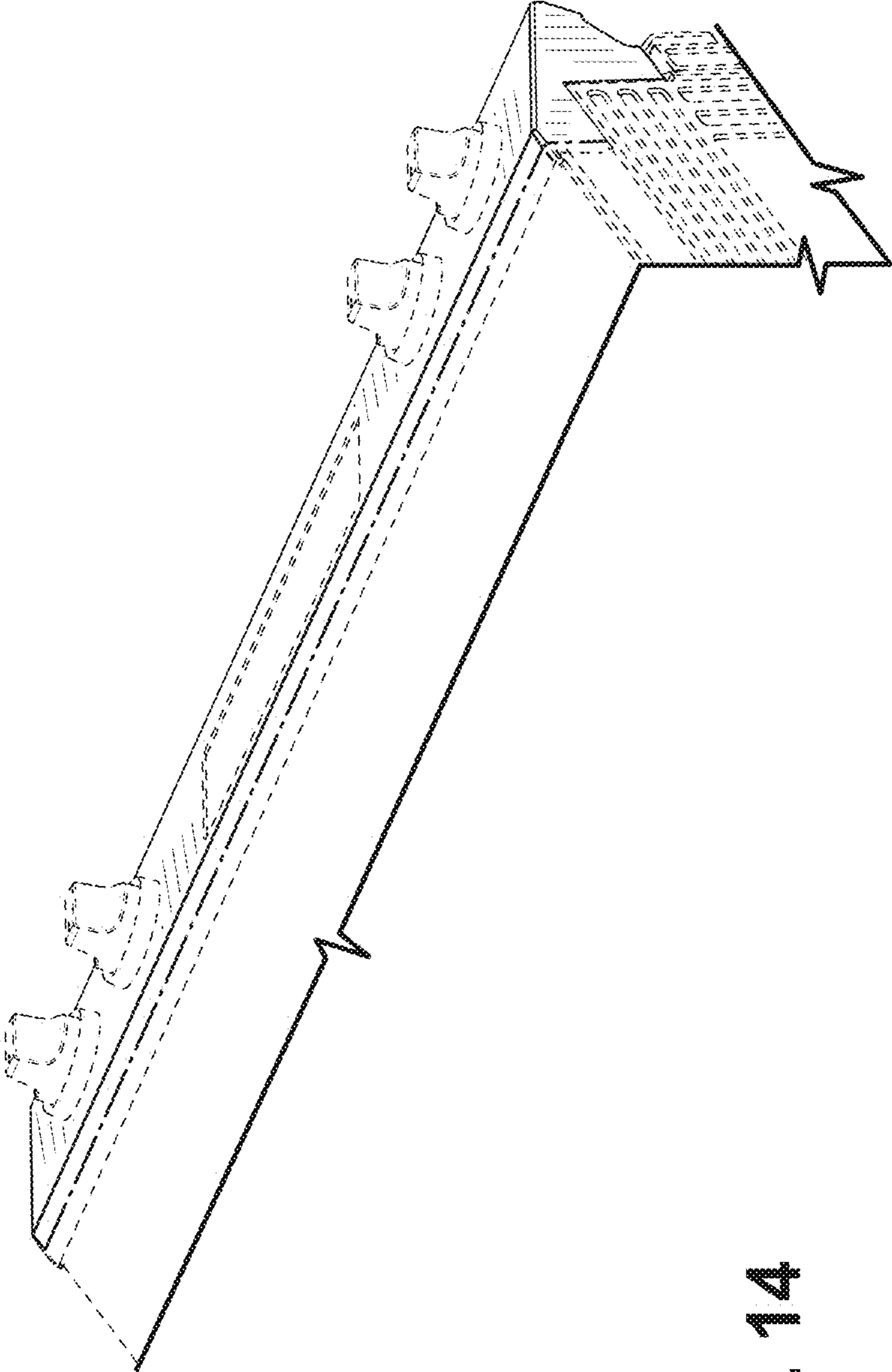


FIG. 14