



US00D957190S

(12) **United States Design Patent** (10) **Patent No.:** **US D957,190 S**
Benoit et al. (45) **Date of Patent:** **** Jul. 12, 2022**

(54) **APPLIANCE RECESSED WINDOW BEZEL**

(74) *Attorney, Agent, or Firm* — Price Heneveld LLP

(71) Applicant: **WHIRLPOOL CORPORATION**,
Benton Harbor, MI (US)

(57) **CLAIM**

We claim the ornamental design for an appliance recessed window bezel, as shown and described.

(72) Inventors: **Kaitlyn M. Benoit**, St. Joseph, MI (US); **Michael A. Kahwaji**, St. Joseph, MI (US); **Brandon T. Mock**, St. Joseph, MI (US); **Jason W. Tippetts**, Stevensville, MI (US)

DESCRIPTION

FIG. 1 is a front perspective view of an appliance recessed window bezel of the present disclosure;
FIG. 2 is a front elevational view of the appliance recessed window bezel of FIG. 1;
FIG. 3 is a front perspective view of another embodiment of an appliance recessed window bezel of the present disclosure;
FIG. 4 is a front elevational view of the appliance recessed window bezel of FIG. 3;
FIG. 5 is a front perspective view of another embodiment of an appliance recessed window bezel of the present disclosure;
FIG. 6 is a front elevational view of the appliance recessed window bezel of FIG. 5;
FIG. 7 is a front perspective view of another embodiment of an appliance recessed window bezel of the present disclosure;
FIG. 8 is a front elevational view of the appliance recessed window bezel of FIG. 7;
FIG. 9 is a front perspective view of another embodiment of an appliance recessed window bezel of the present disclosure;
FIG. 10 is a front elevational view of the appliance recessed window bezel of FIG. 9;
FIG. 11 is a front perspective view of another embodiment of an appliance recessed window bezel of the present disclosure;
FIG. 12 is a front elevational view of the appliance recessed window bezel of FIG. 11;
FIG. 13 is a front perspective view of another embodiment of an appliance recessed window bezel of the present disclosure; and,
FIG. 14 is a front elevational view of the appliance recessed window bezel of FIG. 13.

(73) Assignee: **Whirlpool Corporation**, Benton Harbor, MI (US)

(**) Term: **15 Years**

(21) Appl. No.: **29/694,845**

(22) Filed: **Jun. 13, 2019**

(51) **LOC (13) Cl.** **07-02**

(52) **U.S. Cl.**
USPC **D7/405**

(58) **Field of Classification Search**
USPC D7/323, 339, 340, 347, 348, 405, 407, D7/550.1, 552.1, 553.2, 554.3; D15/79, D15/81, 84, 85, 86, 88, 89, 91
CPC .. F24C 3/00; F24C 15/00; F24C 15/04; F24C 15/001; F24C 3/002; F24C 3/008; F24C 1/14; H05B 6/76; H05B 6/763; H05B 1/0261; H05B 1/0263; H05B 1/0266
See application file for complete search history.

(56) **References Cited**

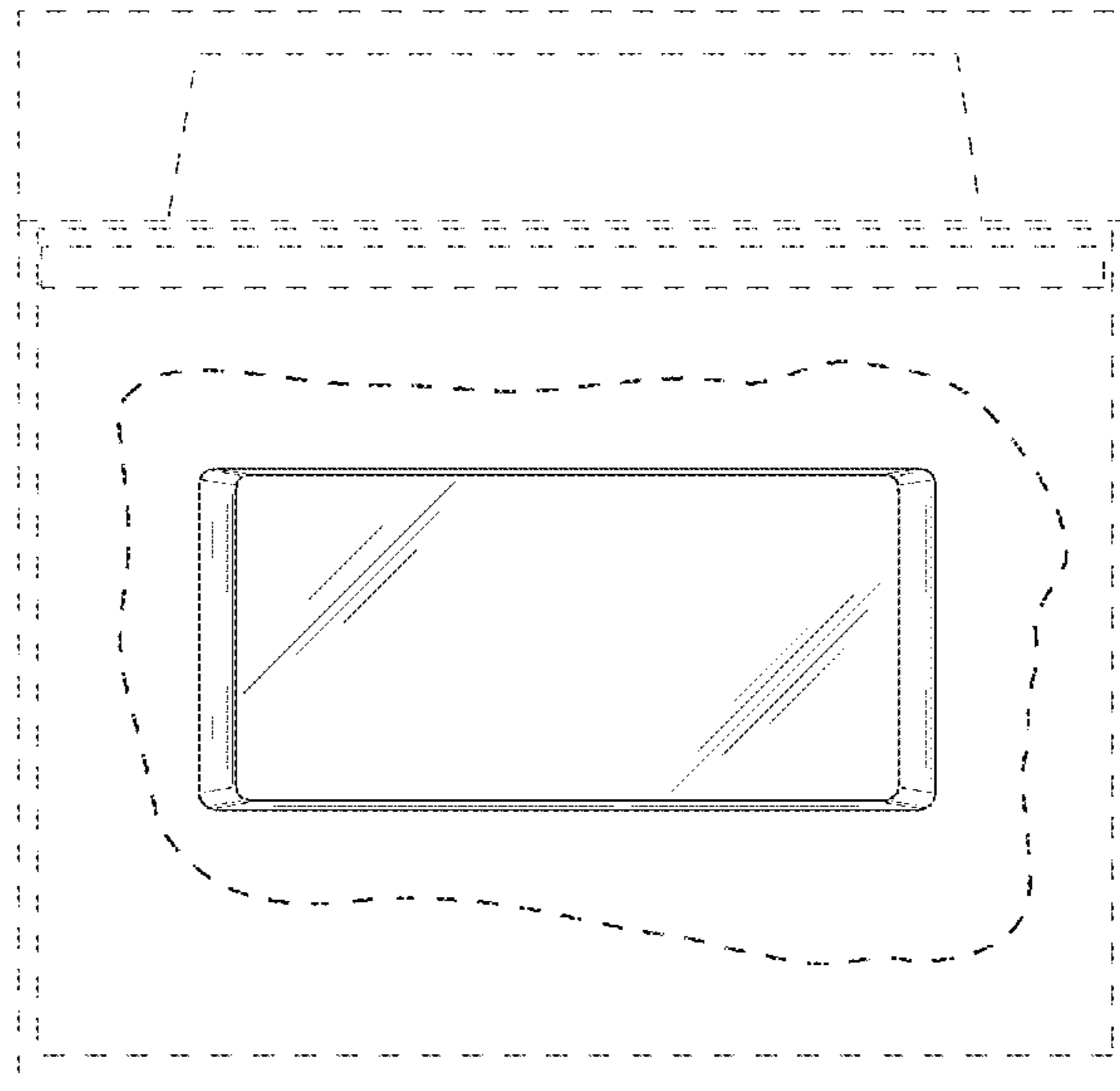
U.S. PATENT DOCUMENTS

3,070,085 A 12/1960 Mills
3,177,334 A 4/1965 Kinkle
3,991,738 A 11/1976 Krebs

(Continued)

Primary Examiner — Zenia I Bennett

1 Claim, 14 Drawing Sheets



(56)

References Cited

U.S. PATENT DOCUMENTS

4,033,321 A 7/1977 Krebs
 4,041,930 A 8/1977 Katona
 4,049,939 A 9/1977 Katona
 4,084,571 A 4/1978 McFarland
 4,102,322 A 7/1978 Doner
 D249,009 S 8/1978 Grove et al.
 4,390,767 A 6/1983 Bucksbaum et al.
 D295,822 S * 5/1988 Kubo D7/351
 D297,296 S * 8/1988 Feil D7/350.4
 5,571,276 A 11/1996 Kobos et al.
 D449,006 S * 10/2001 Blauner D10/30
 6,420,690 B1 7/2002 Kim
 D493,256 S * 7/2004 Kim D24/230
 D513,065 S 12/2005 Luong
 D531,759 S * 11/2006 Longoria D28/73
 D534,555 S * 1/2007 Kim D15/85
 D575,989 S * 9/2008 McFarland D7/554.3

D587,730 S * 3/2009 Yang D15/89
 D610,594 S * 2/2010 Martin D15/89
 D610,595 S * 2/2010 Baker D15/89
 D614,013 S * 4/2010 Saubert D8/317
 8,138,459 B2 3/2012 Beausse
 8,393,319 B2 3/2013 Hoffmeier
 D724,888 S * 3/2015 Lee D7/340
 D767,940 S * 10/2016 Gross D7/554.3
 D808,961 S * 1/2018 Lee D14/344
 D817,067 S * 5/2018 Shoemaker D7/349
 D871,155 S * 12/2019 Miller D7/554.3
 D888,110 S * 6/2020 Lee D15/85
 D895,693 S * 9/2020 Joo D15/85
 D913,028 S * 3/2021 Wong D7/350.4
 D921,064 S * 6/2021 Lee D15/89
 D922,123 S * 6/2021 Kim D7/340
 D927,240 S * 8/2021 Kang D7/348
 D939,263 S * 12/2021 Kang D7/348
 2007/0023029 A1 2/2007 Kelley et al.
 2007/0029901 A1 2/2007 Becke

* cited by examiner

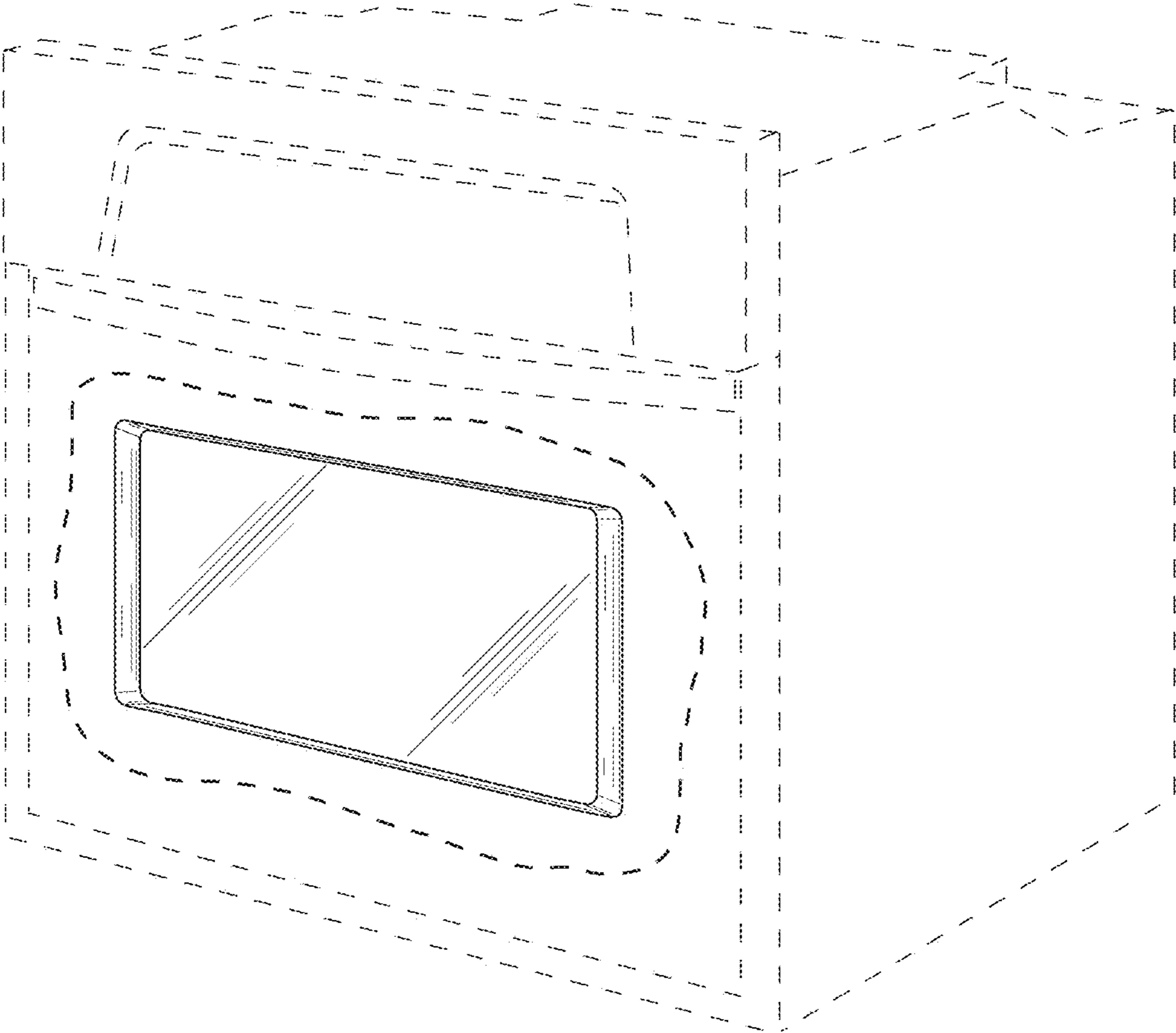


FIG. 1

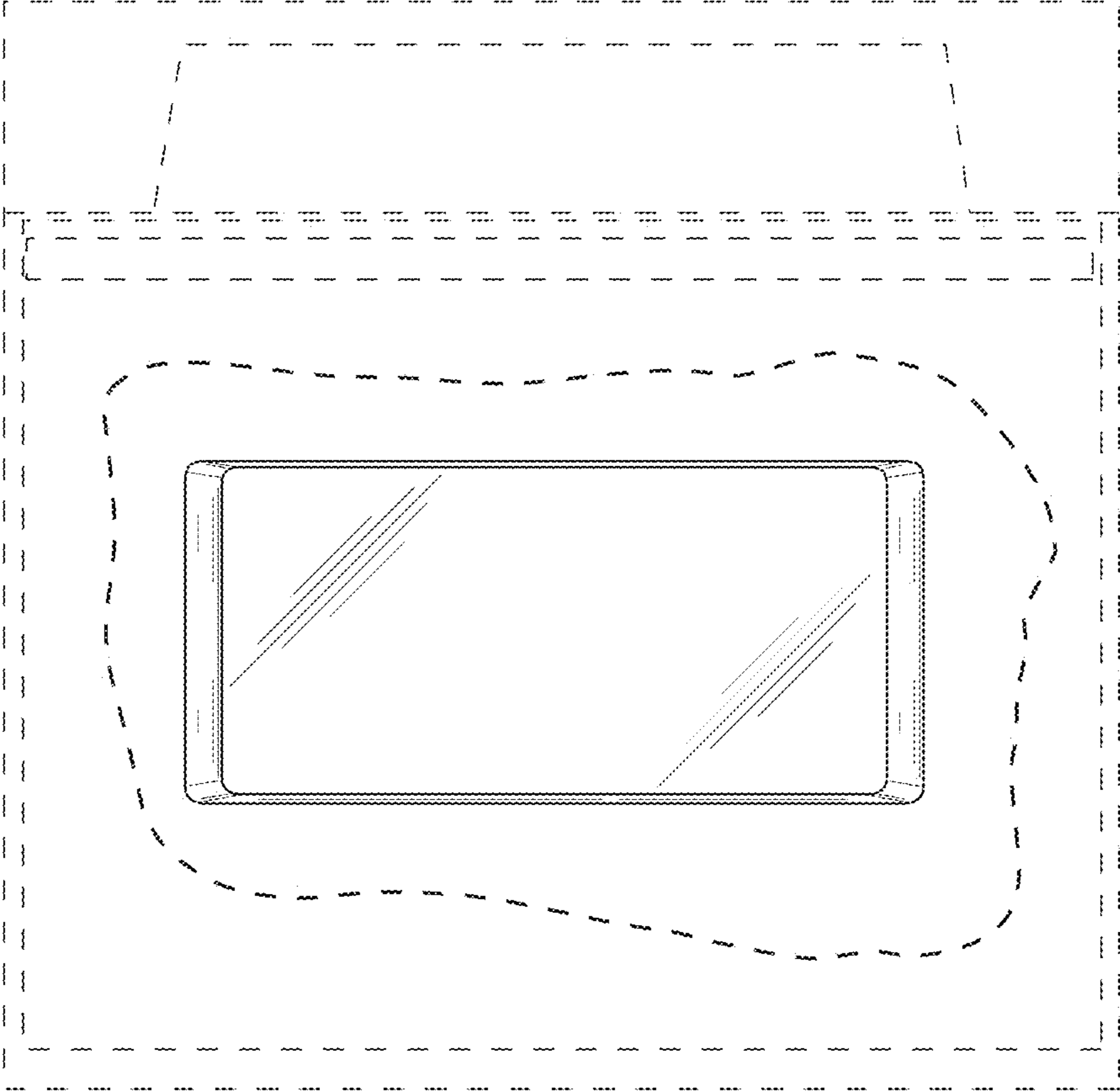


FIG. 2

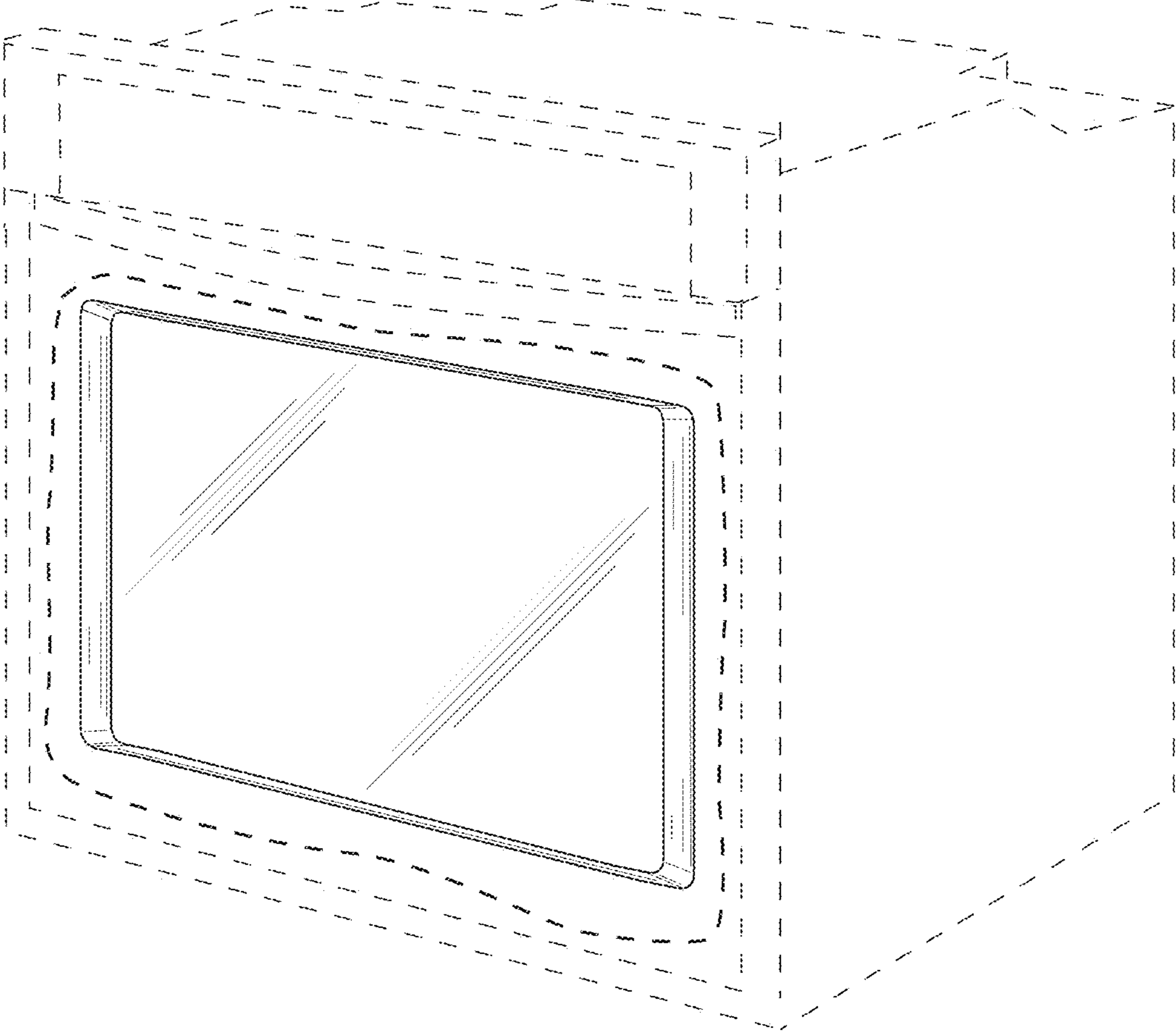


FIG. 3

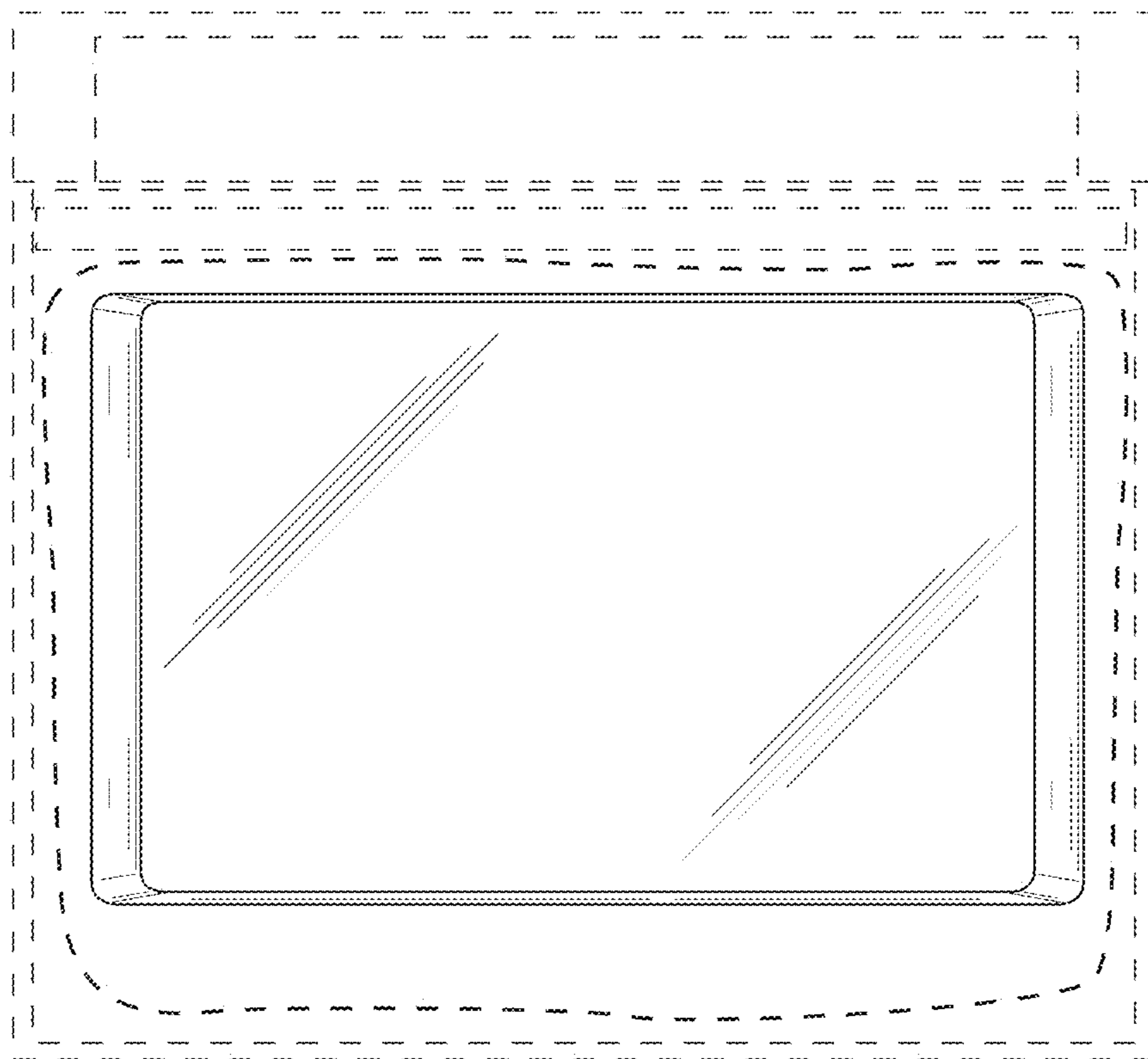


FIG. 4

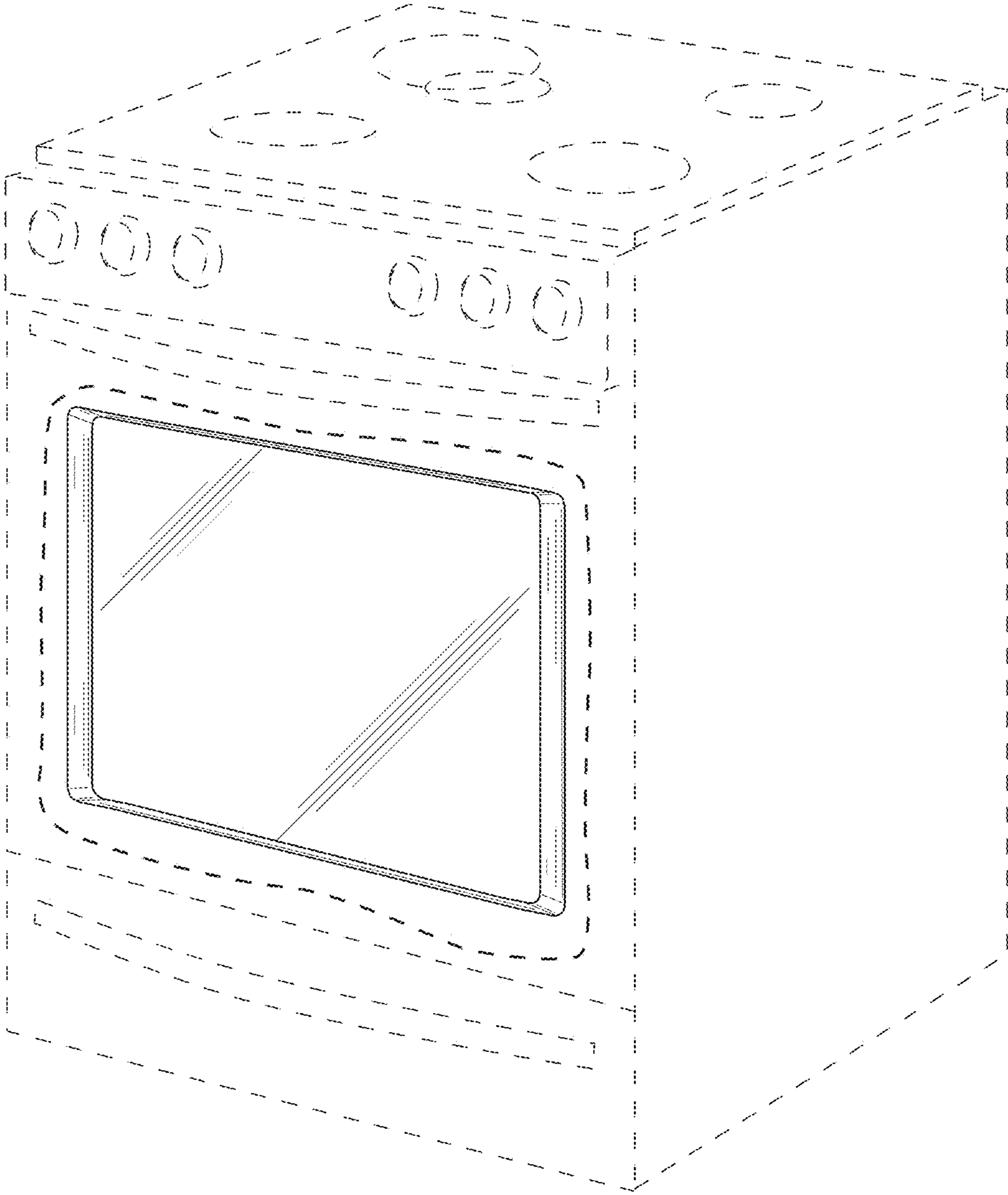


FIG. 5

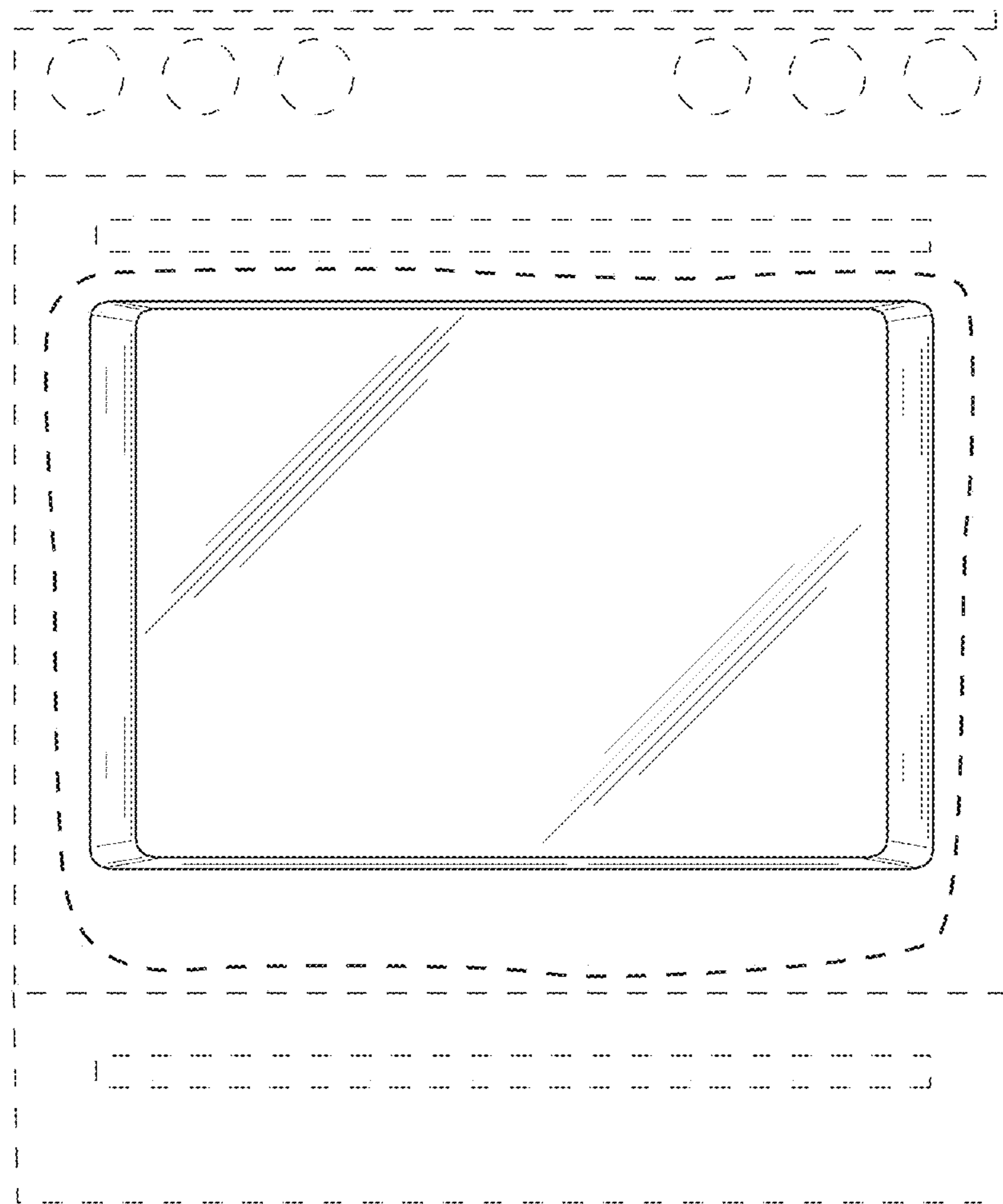


FIG. 6

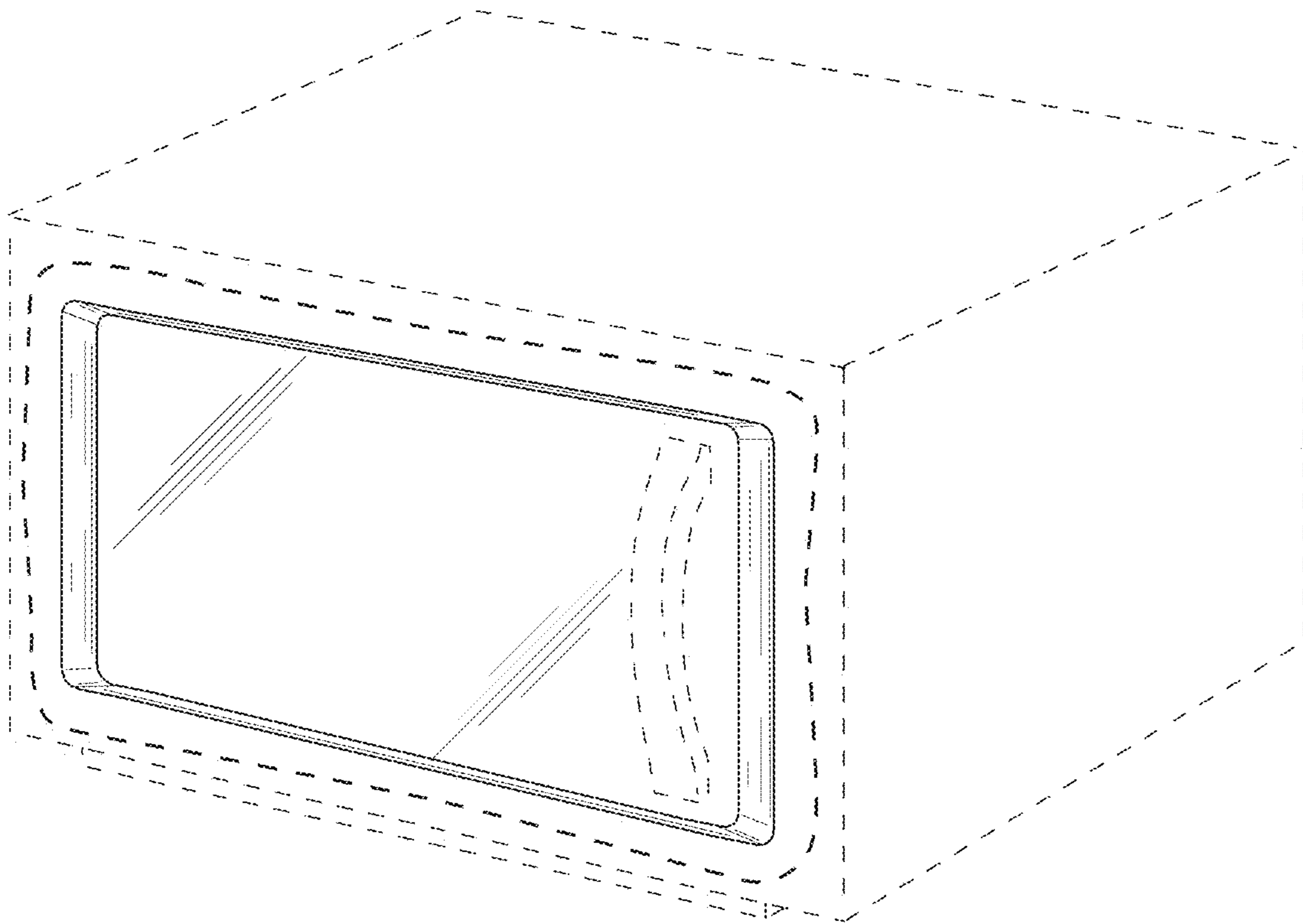


FIG. 7

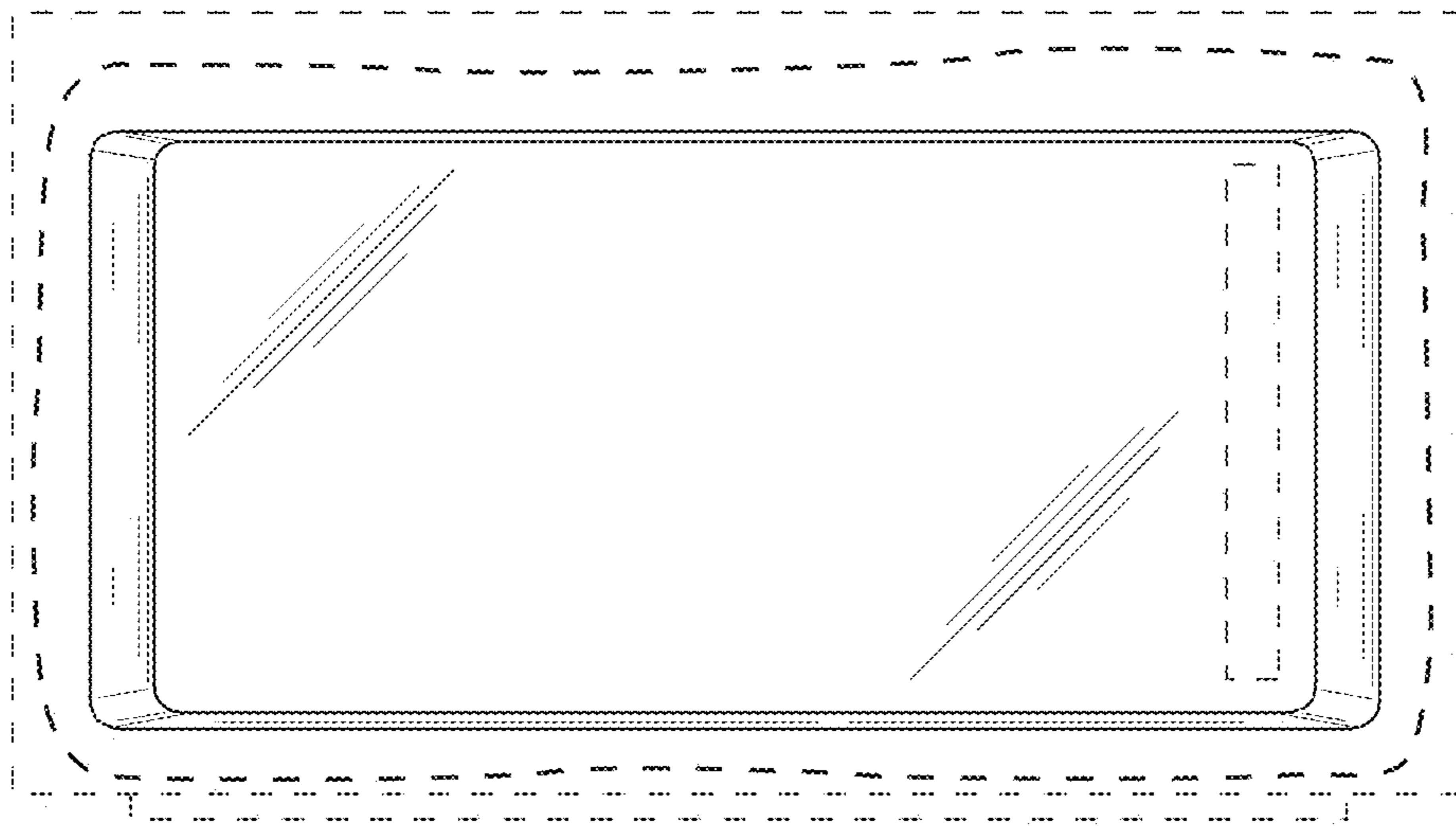


FIG. 8

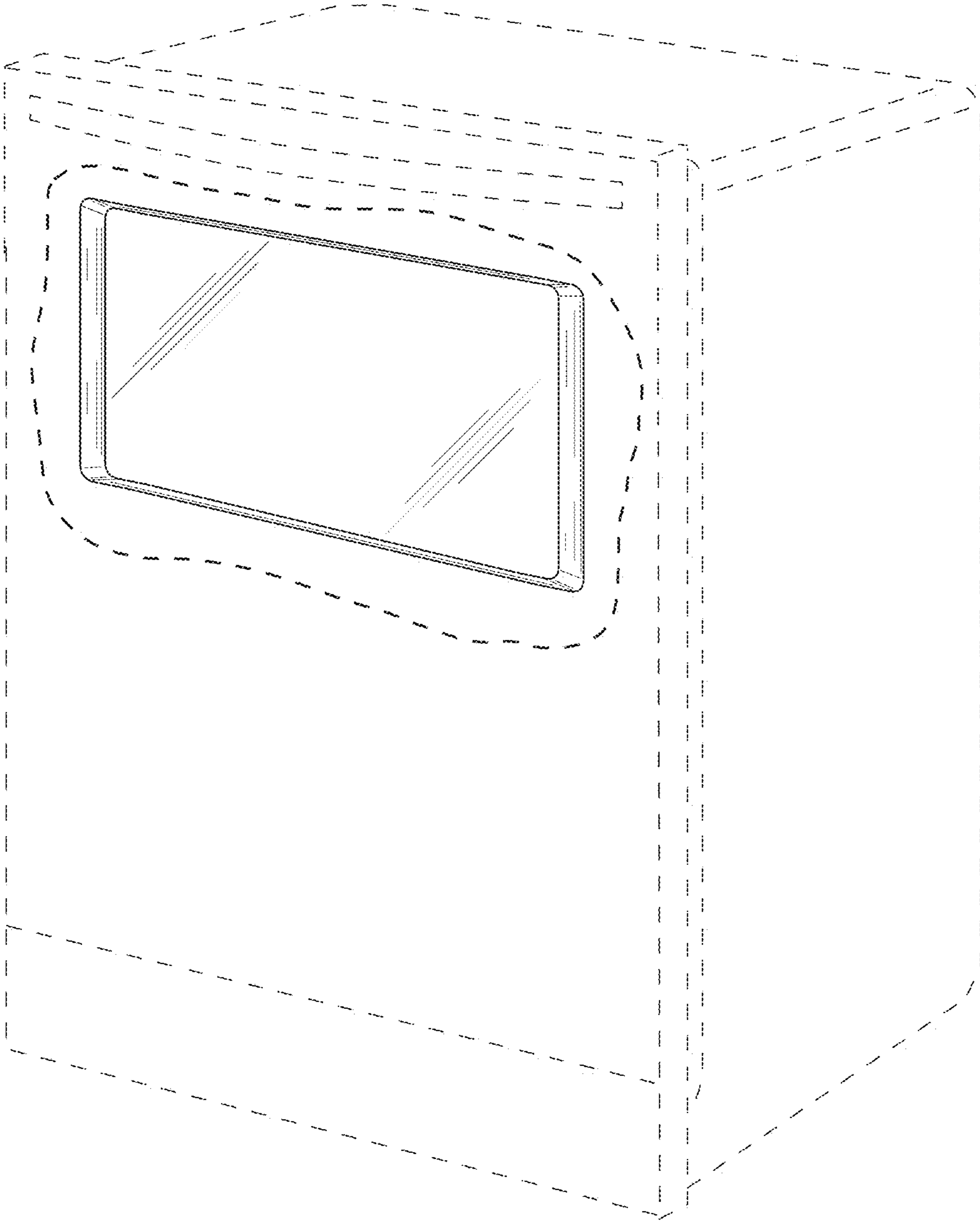


FIG. 9

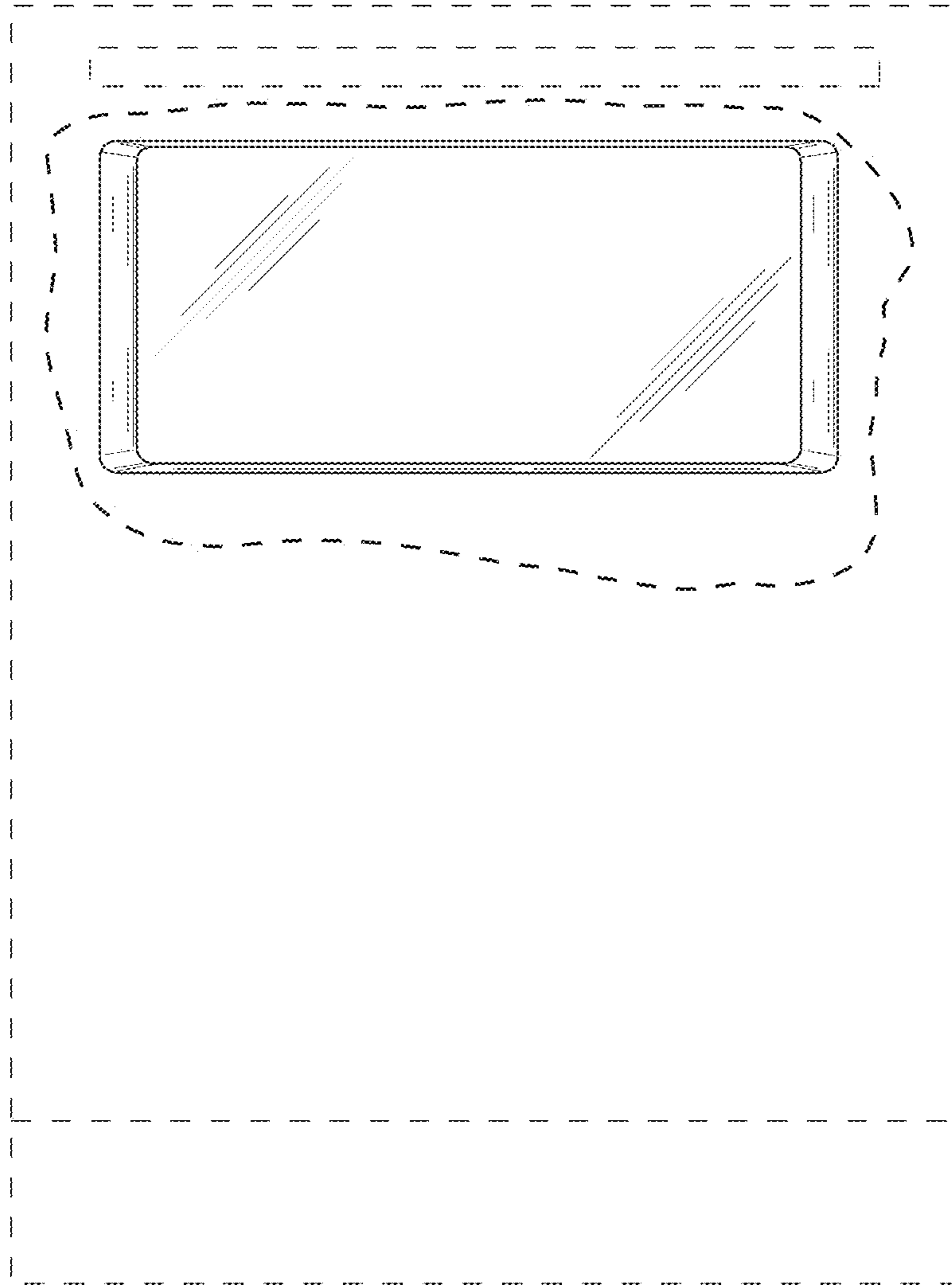


FIG. 10

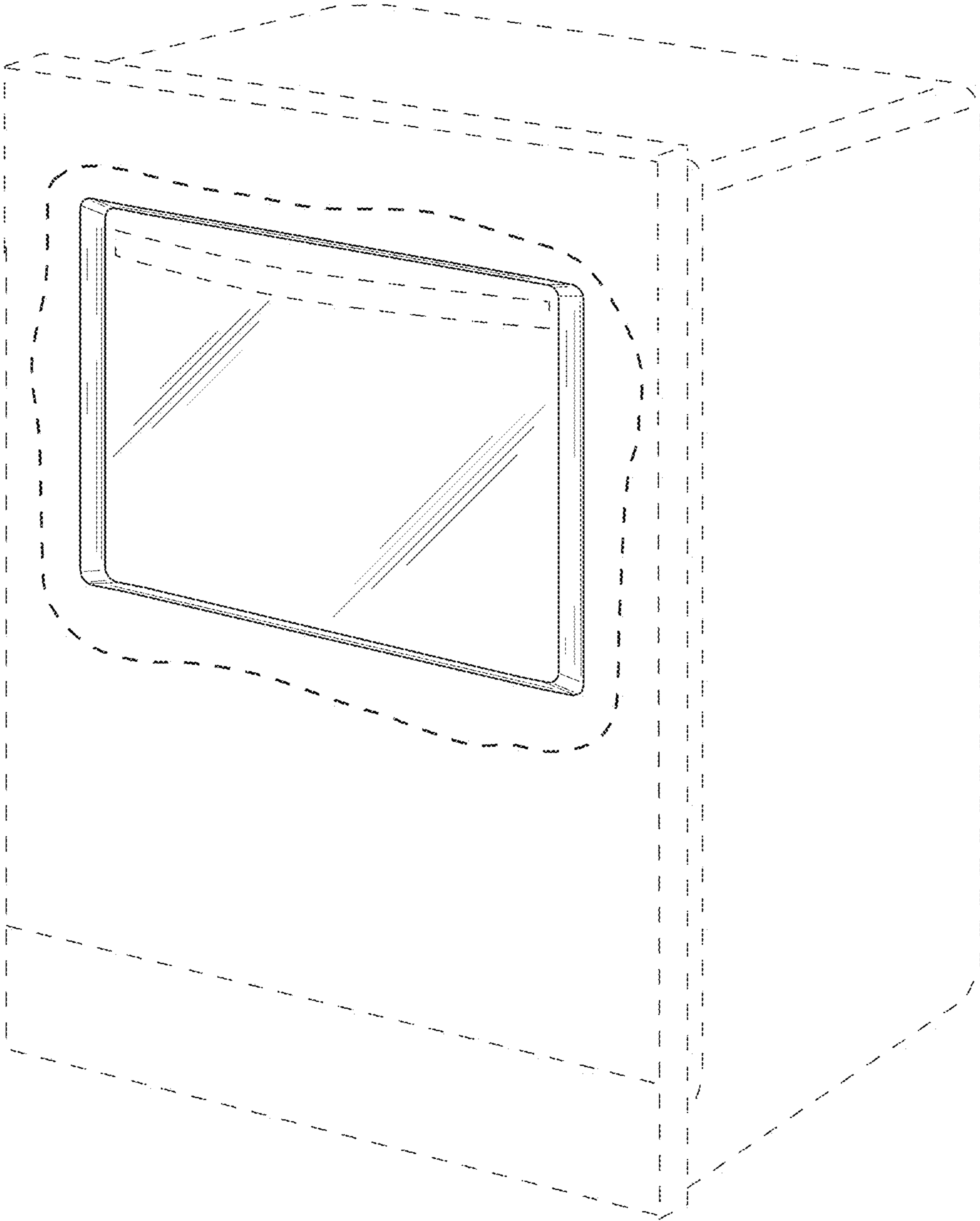


FIG. 11

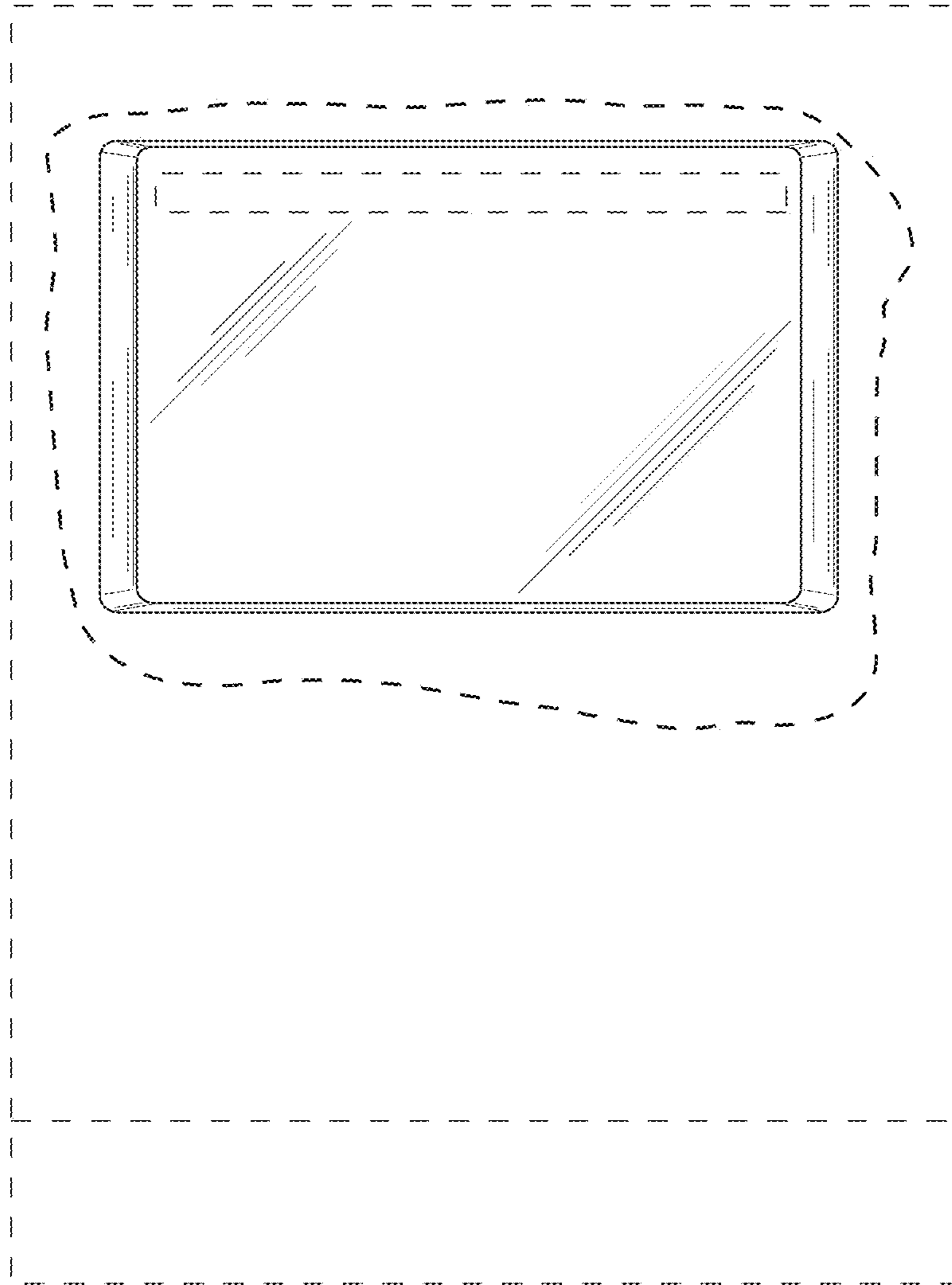


FIG. 12

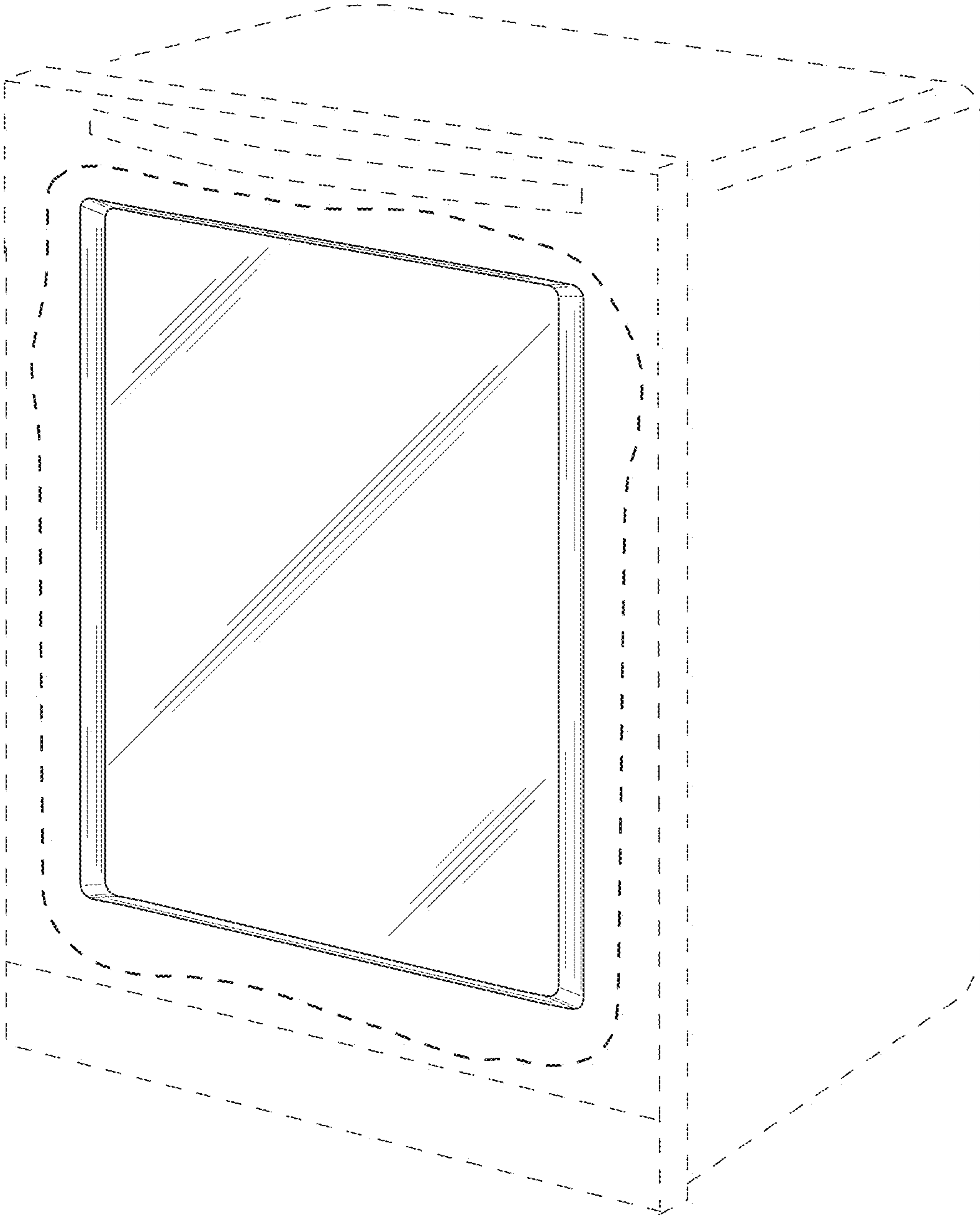


FIG. 13

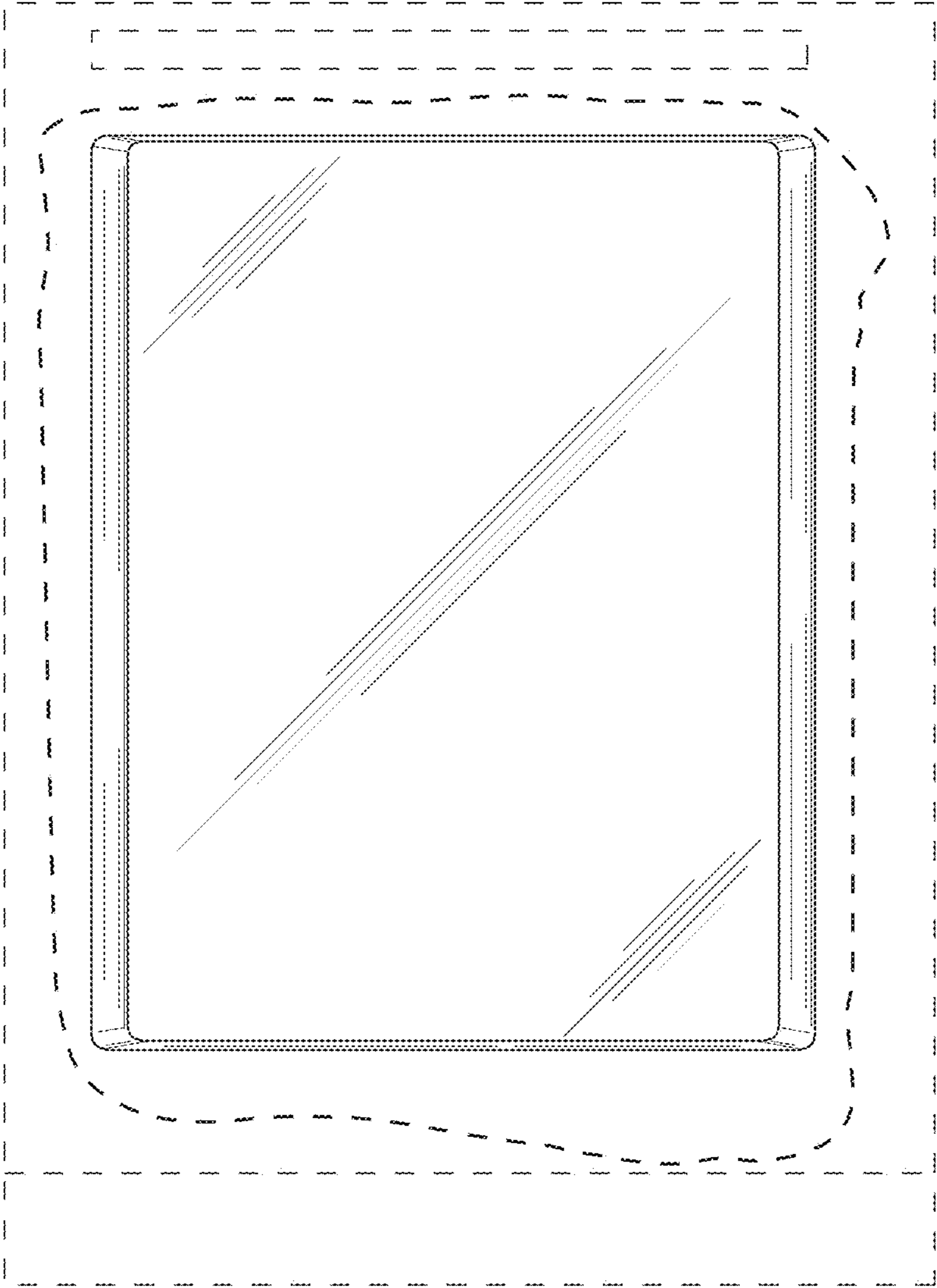


FIG. 14