



US00D957189S

(12) **United States Design Patent**
Reiner

(10) **Patent No.:** **US D957,189 S**
(45) **Date of Patent:** **** Jul. 12, 2022**

- (54) **FRYWALL STRUCTURE**
- (71) Applicant: **Gowanus Kitchen Lab, LLC**,
Brooklyn, NY (US)
- (72) Inventor: **Yair Reiner**, Brooklyn, NY (US)
- (73) Assignee: **GOWANUS KITCHEN LAB, LLC**,
Brooklyn, NY (US)
- (**) Term: **15 Years**
- (21) Appl. No.: **29/762,842**
- (22) Filed: **Dec. 18, 2020**
- (51) **LOC (13) Cl.** **07-99**
- (52) **U.S. Cl.**
USPC **D7/402**
- (58) **Field of Classification Search**
USPC D7/323, 328-330, 332-351, 354, 358,
D7/360, 361, 372, 373, 378, 386, 387,
D7/393, 400, 402, 405-409, 509, 511,
D7/533, 534, 536, 601, 602, 629, 679,
D7/700; D15/150
CPC A47J 27/00; A47J 27/004; A47J 27/08;
A47J 27/086; A47J 27/09; A47J 27/21;
A47J 33/00; A47J 36/26; A47J 37/06;
A47J 37/0623; A47J 37/0647; A47J
37/0652; A47J 37/0658; A47J 37/07;
A47J 37/0704; A47J 37/0713; A47J
37/0763; A47J 37/101; A47J 37/108;
A47J 43/00; A47J 47/00; F24C 1/16;
F24C 3/00; F24C 3/002; F24C 3/008;
F24C 3/022; F24C 3/027; F24C 3/08;
F24C 3/082; F24C 3/085; F24C 3/14;
F24C 15/10; F24C 15/12; F24C 15/36
See application file for complete search history.

(56) **References Cited**

U.S. PATENT DOCUMENTS

- 3,980,563 A * 9/1976 Greutert A47J 31/446
220/678
- 4,228,873 A * 10/1980 Nyborg, Jr. B66B 13/16
70/91
- D271,174 S * 11/1983 Bowen A47J 37/108
D7/360
- D289,720 S * 5/1987 Maher D7/510

(Continued)

OTHER PUBLICATIONS

Frywall 10 (Medium), first available Sep. 13, 2016, Amazon, [online], [site visited Jan. 28, 2022], Available from internet URL: <https://www.amazon.com/Frywall-10-Medium-Splatter-Guard/dp/B01LVV7MMU> (Year: 2016).*

(Continued)

Primary Examiner — Mary Ann Calabrese

Assistant Examiner — Natalya M Rapundalo

(74) *Attorney, Agent, or Firm* — Andrew F. Young, Esq.;
Nolte Lackenbach Siegel

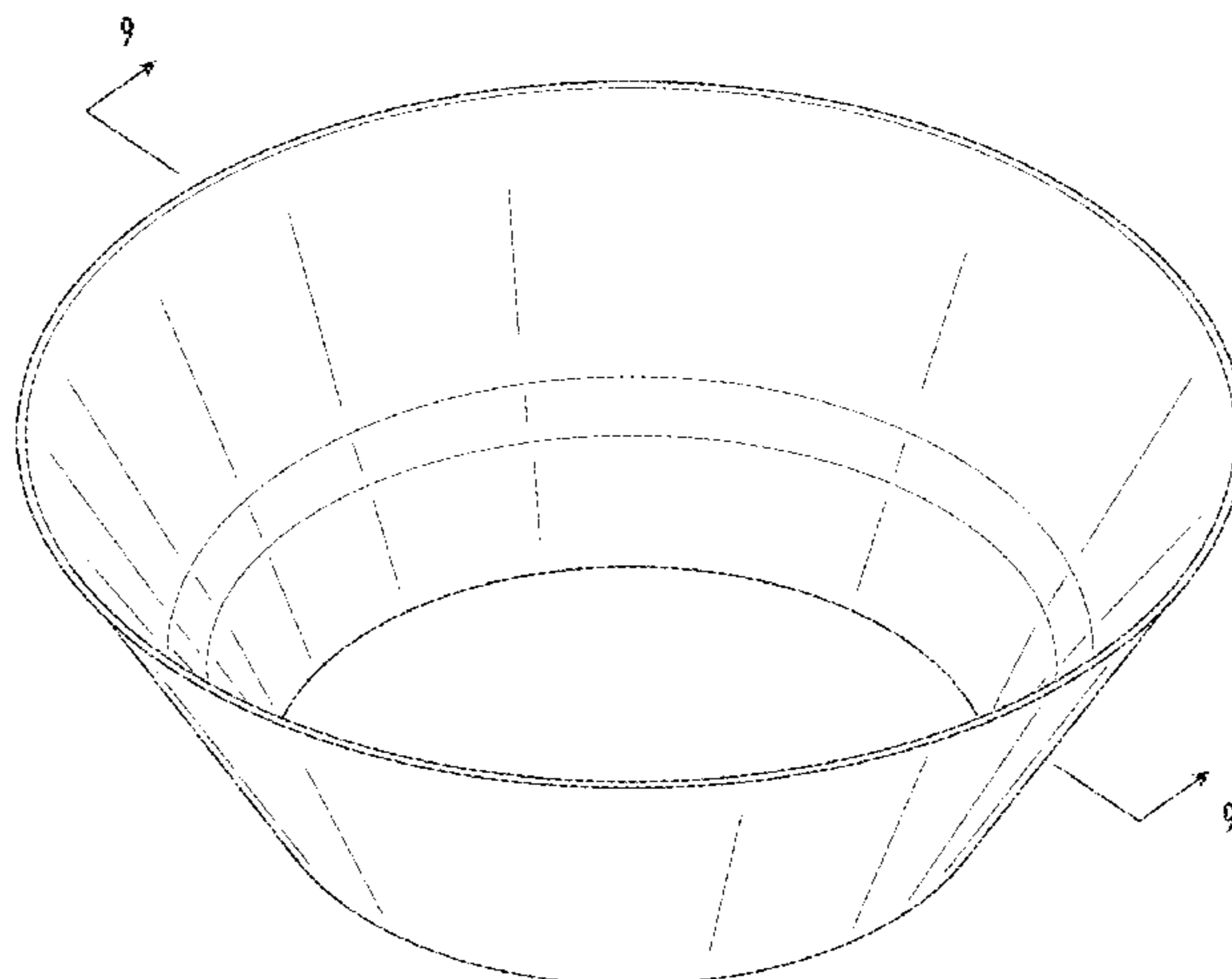
(57) **CLAIM**

The ornamental design for a frywall structure, as shown and described.

DESCRIPTION

- FIG. 1 is a top front perspective view of the frywall structure of my present invention.
- FIG. 2 is a rear bottom perspective view thereof.
- FIG. 3 is a front side elevation view thereof.
- FIG. 4 is a rear side elevation view thereof.
- FIG. 5 is a left side elevation view thereof.
- FIG. 6 is a right side elevation view thereof.
- FIG. 7 is a top plan view thereof.
- FIG. 8 is a bottom plan view thereof.
- FIG. 9 is a front elevation cross-section view along section 9-9 in FIG. 1.
- FIG. 10 is an enlarged cross-sectional view of portion 10 in FIG. 9; and,
- FIG. 11 is an enlarged cross-sectional view of portion 11 in FIG. 9.

1 Claim, 8 Drawing Sheets



(56)

References Cited

U.S. PATENT DOCUMENTS

D395,195 S * 6/1998 Heiberg B66B 13/16
 D572,520 S * 7/2008 Lion D7/354
 D727,090 S * 4/2015 St. Jacques D7/387
 D752,378 S * 3/2016 Wang D7/354
 D761,055 S * 7/2016 Marcorin D7/402
 D778,128 S * 2/2017 Keating B01F 35/60
 D798,099 S * 9/2017 Goossens A47J 37/101
 9,784,302 B2 10/2017 Reiner
 10,130,213 B2 11/2018 Reiner
 D850,847 S 6/2019 Reiner
 D871,130 S 12/2019 Reiner
 D886,552 S 6/2020 Reiner
 2002/0015357 A1 * 2/2002 Langevin, Jr. B01F 35/60
 366/349
 2006/0027575 A1 * 2/2006 Lombardo A47J 27/56
 220/4.03

2009/0321459 A1 * 12/2009 Maczko A47J 37/101
 220/731
 2016/0374512 A1 * 12/2016 Reiner A47J 37/108
 99/645
 2018/0042426 A1 * 2/2018 Henry A47J 37/101
 2018/0279825 A1 * 10/2018 He A47J 43/04

OTHER PUBLICATIONS

JAZ Innovations Splatter Guard Pro, first available Aug. 26, 2016, Amazon, [online], [site visited Mar. 10, 2022], Available from internet URL: <https://www.amazon.com/JAZ-Innovations-6060-Splatter-Guard/dp/B01L20RRKM> (Year: 2016).
 Buy Frywall Splatter Guard at frywall.com—Official Home of Frywall, Frywall.com, [online], [site visited Mar. 2, 2022], Available from internet URL: <https://frywall.com/collections/splatter-guard> (Year: 2022).
 U.S. Appl. No. 62/184,950, filed Jun. 26, 2015, Inventor: Reiner.

* cited by examiner

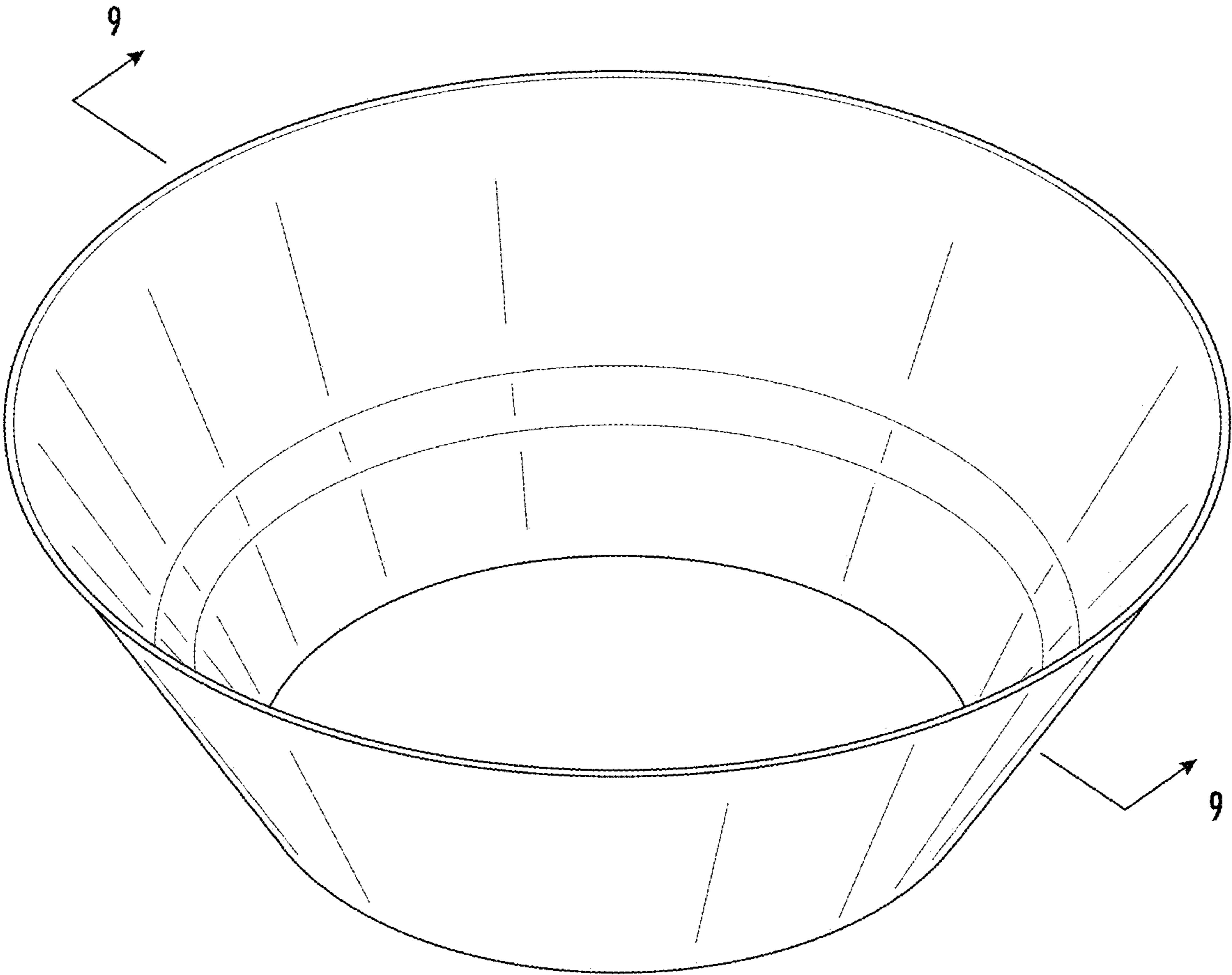


FIG. 1

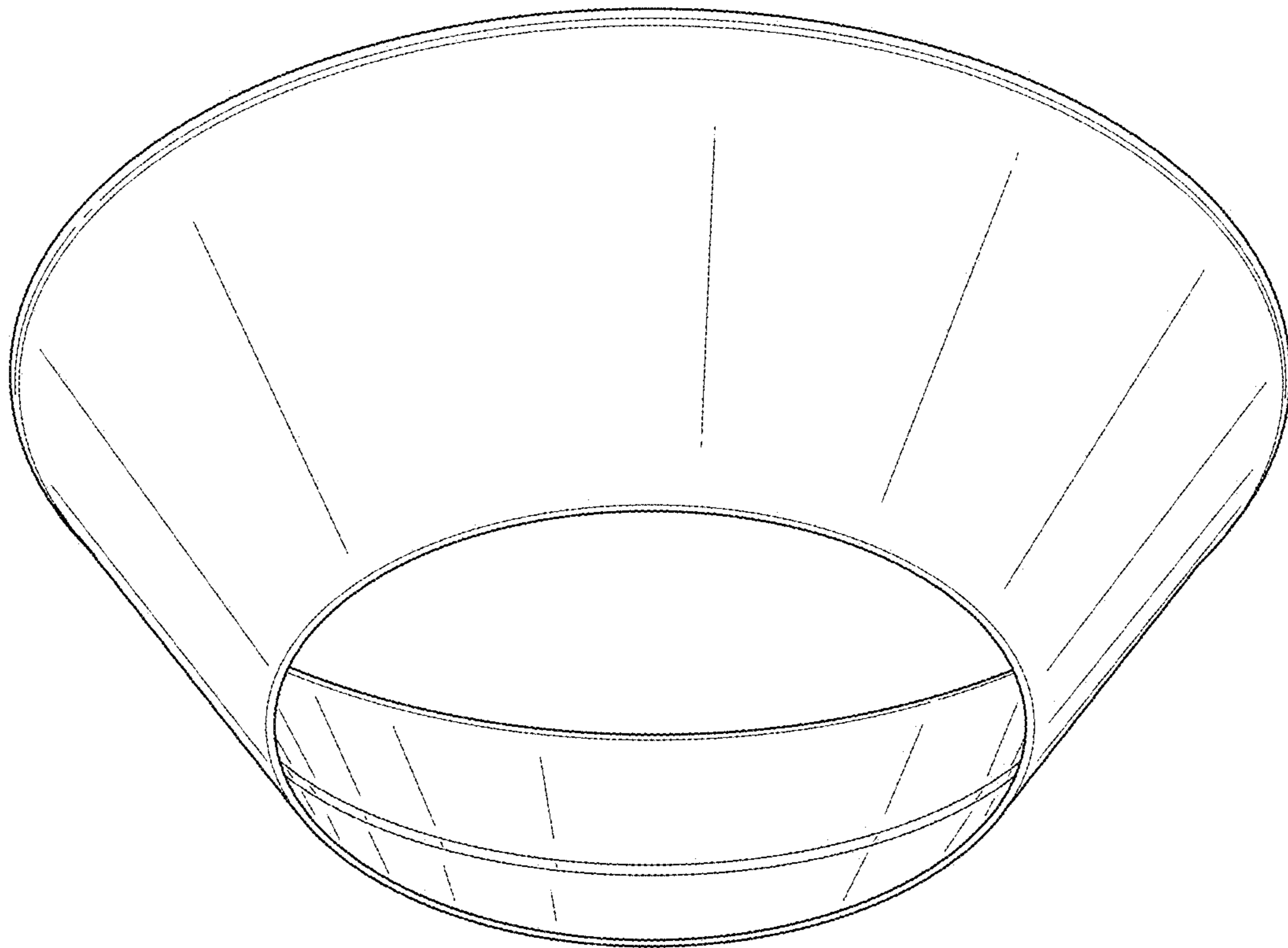


FIG. 2

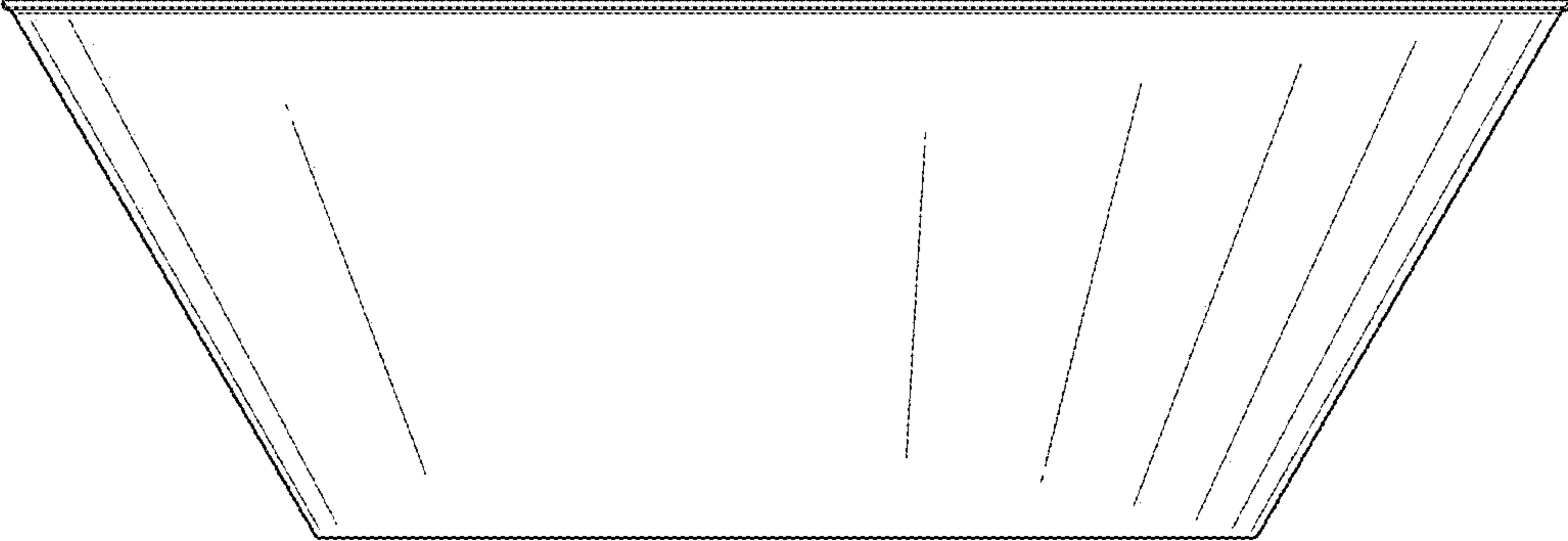


FIG. 3

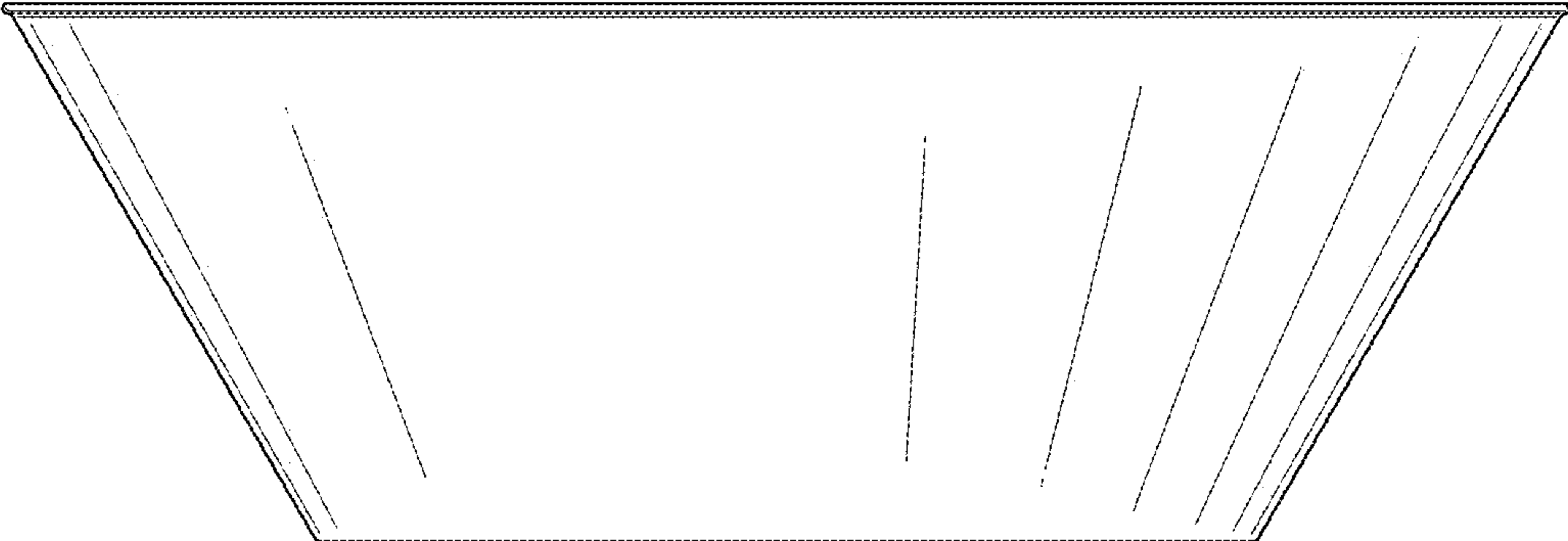


FIG. 4

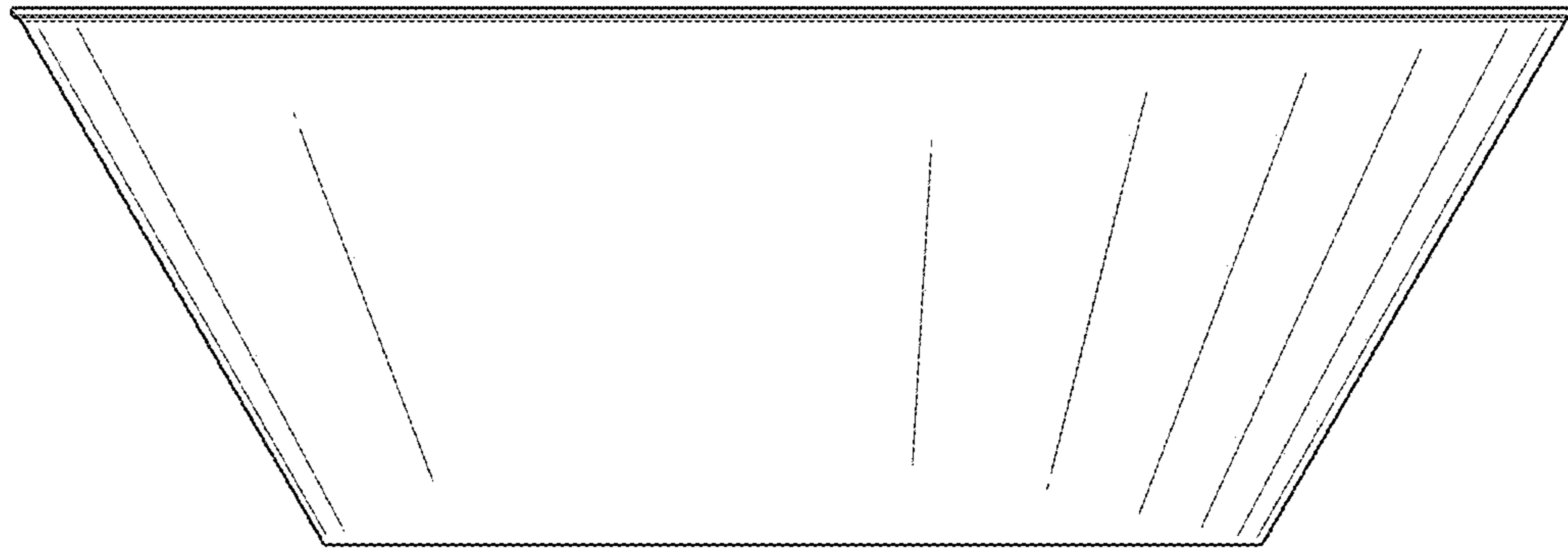


FIG. 5

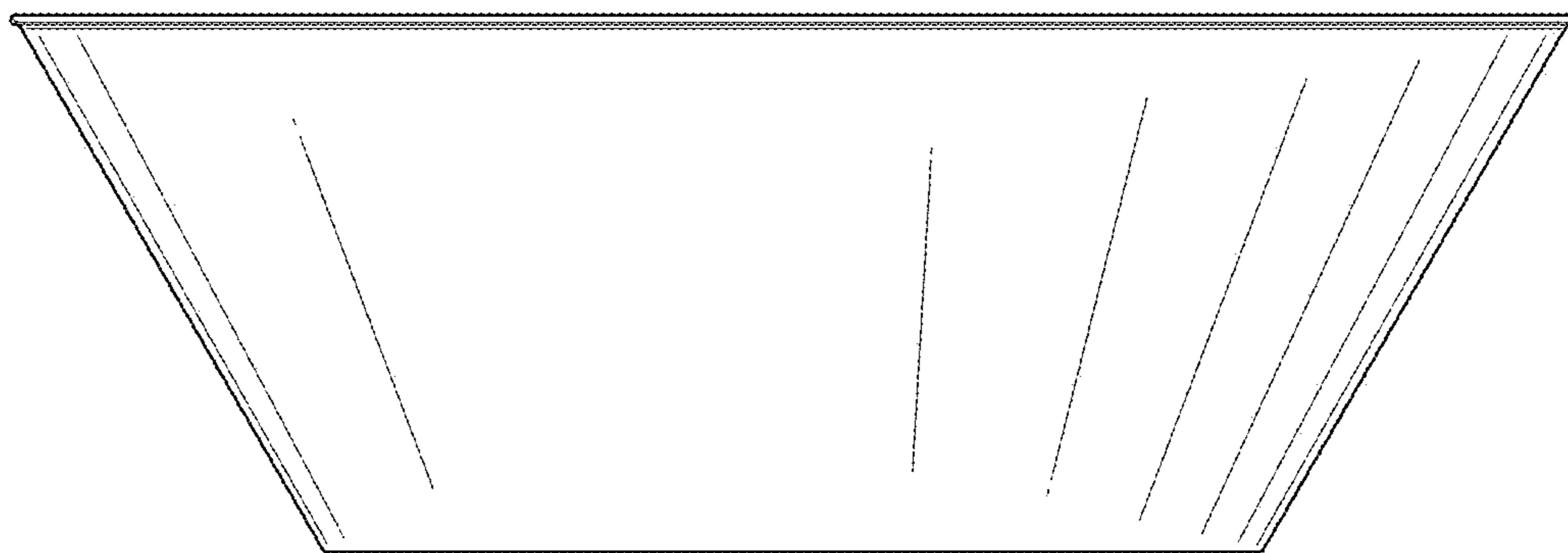


FIG. 6

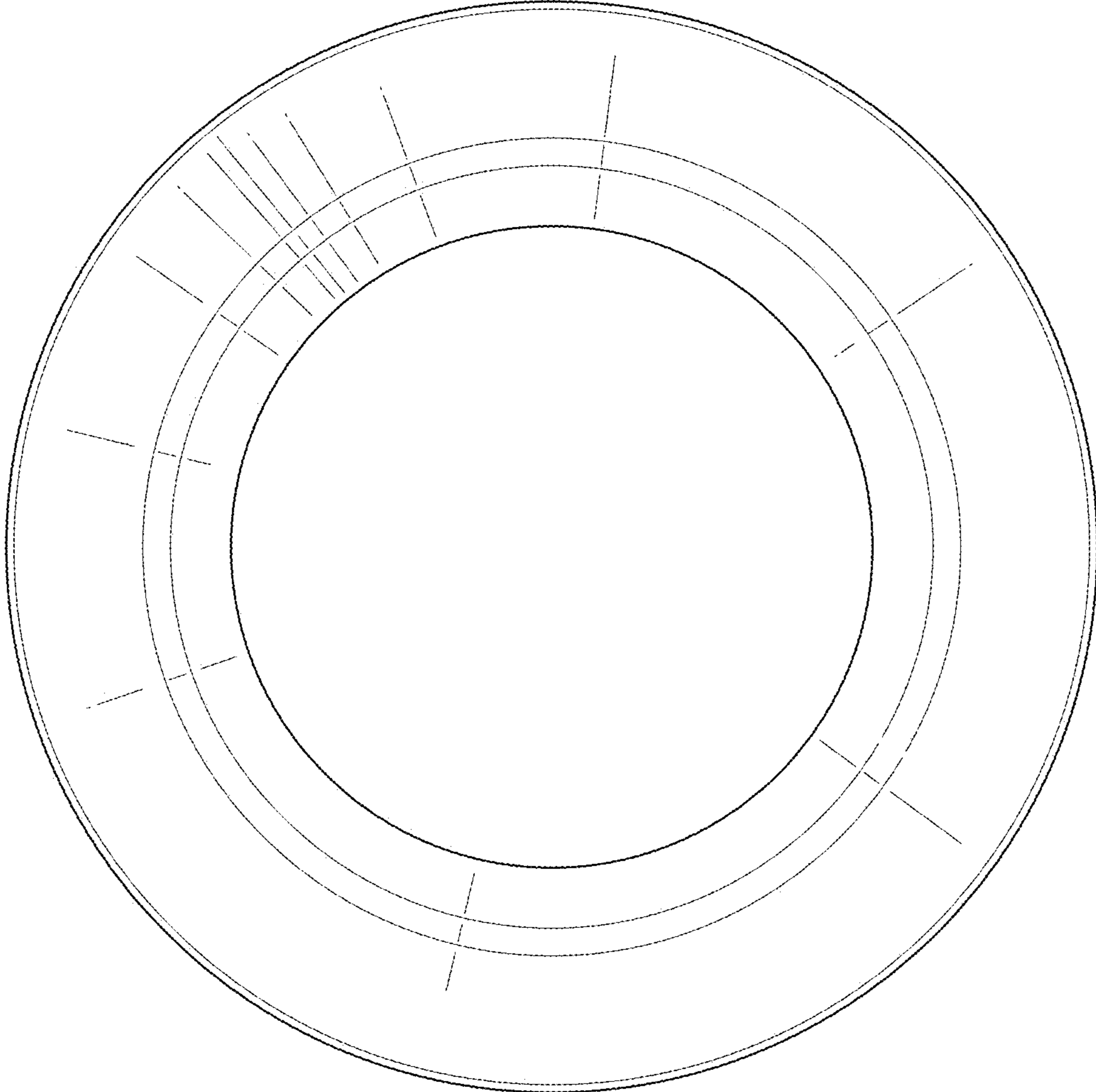


FIG. 7

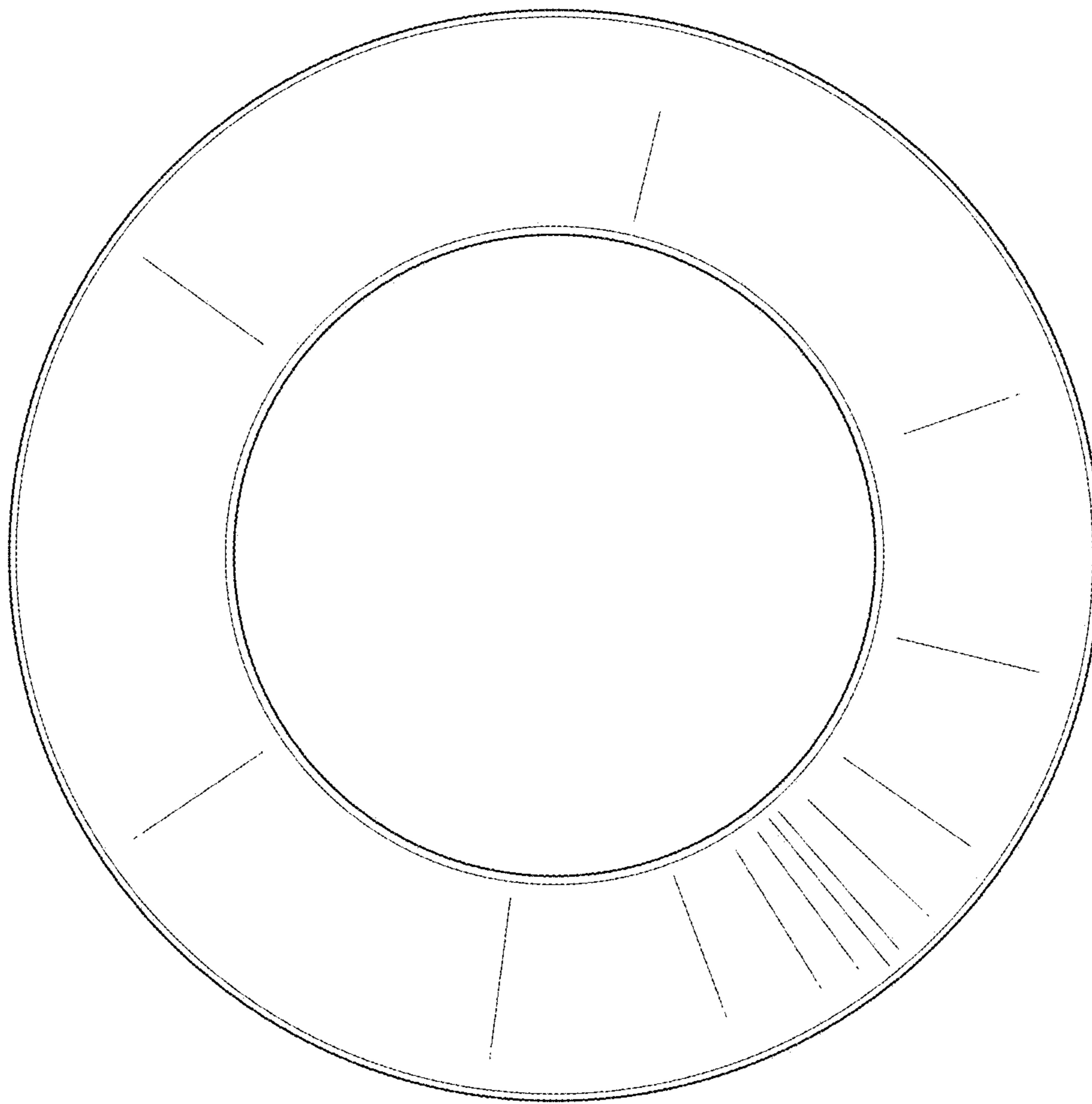


FIG. 8

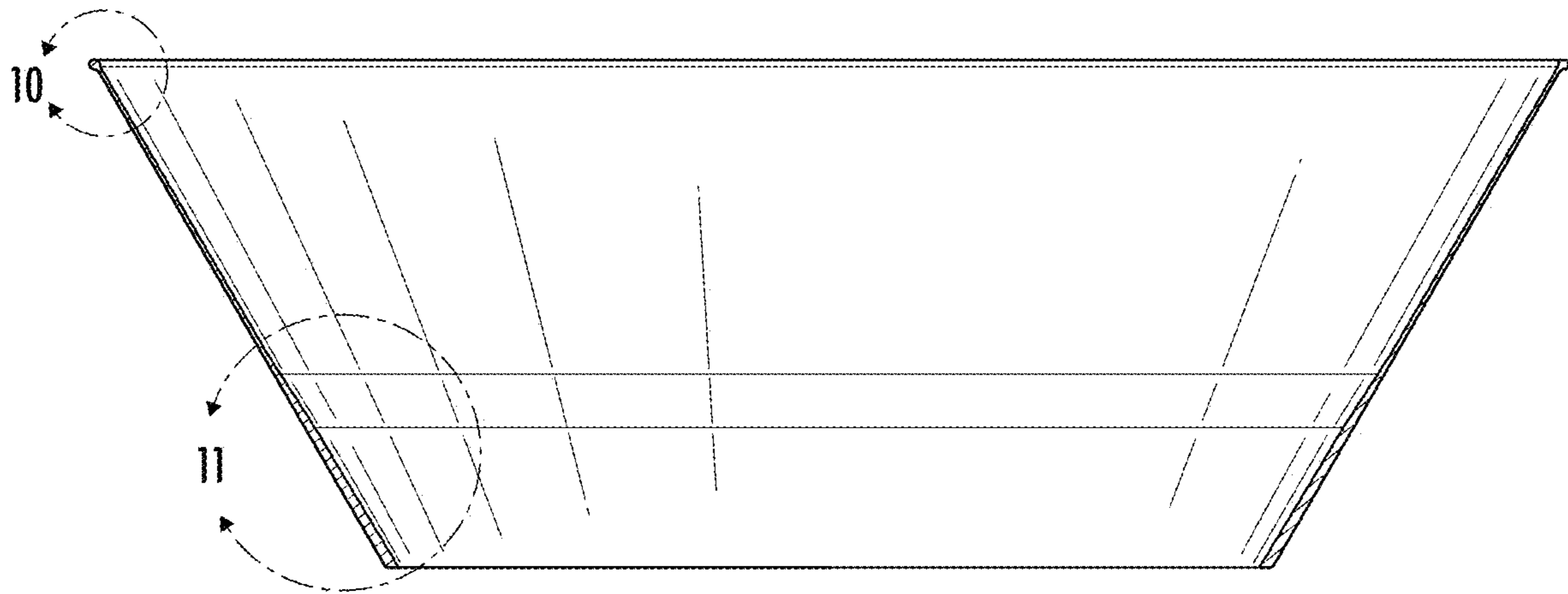


FIG. 9

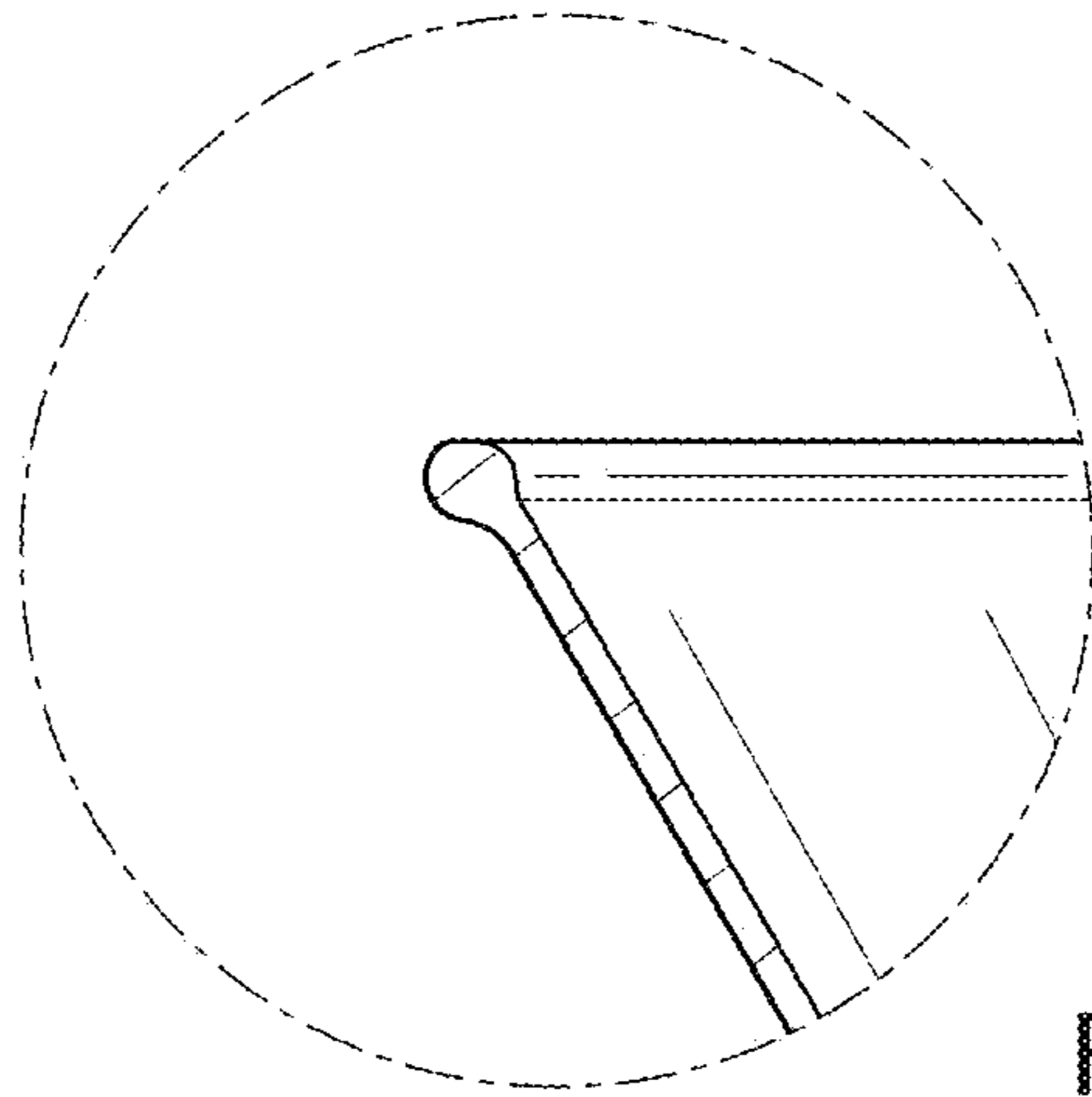


FIG. 10

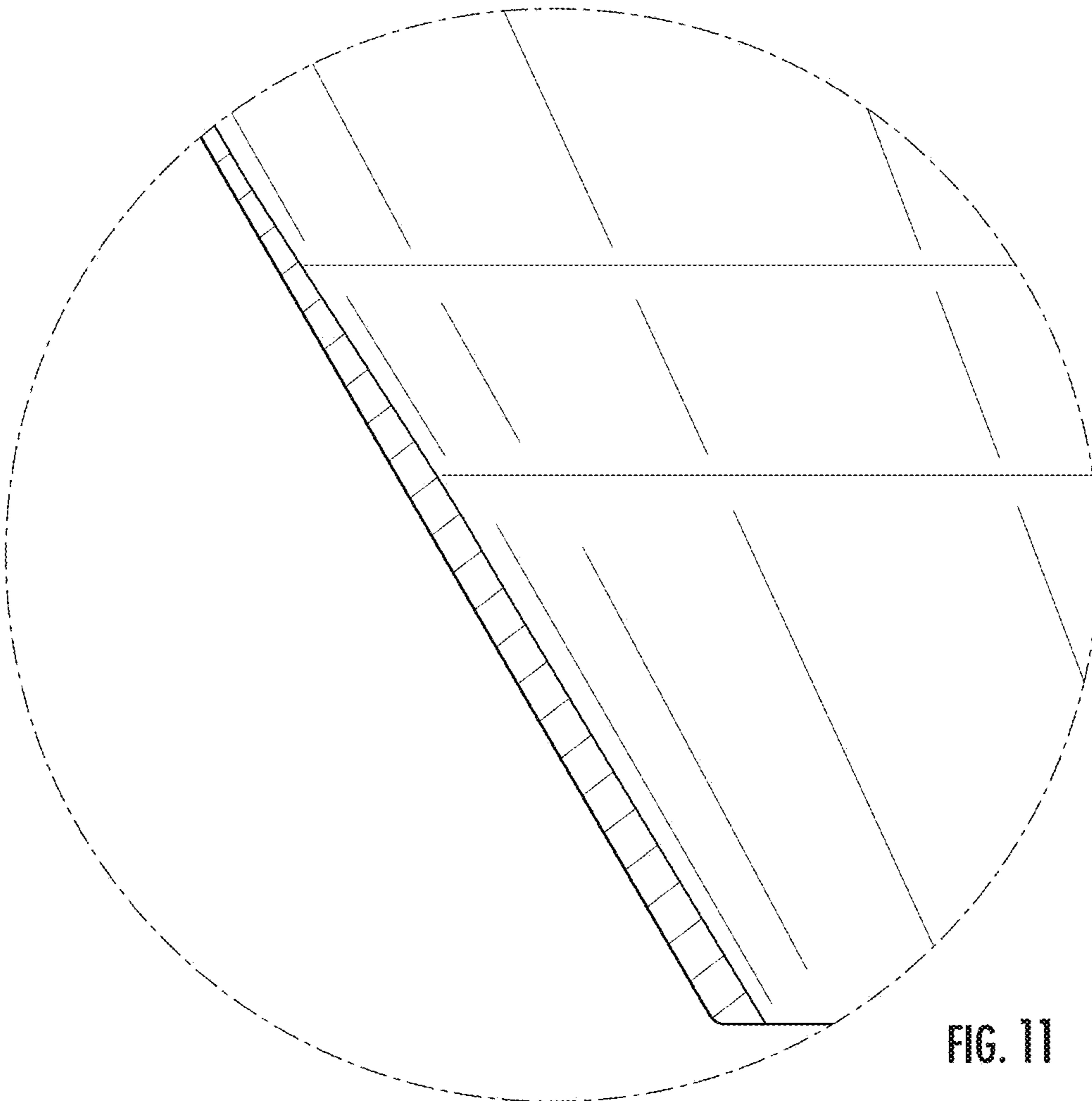


FIG. 11