



US00D957187S

(12) **United States Design Patent** (10) **Patent No.:** **US D957,187 S**
Behe et al. (45) **Date of Patent:** **** Jul. 12, 2022**

(54) **BAR GUN**
(71) Applicant: **Lancer Corporation**, San Antonio, TX (US)
(72) Inventors: **Anthony Joseph Behe**, Converse, TX (US); **Gary Van Deursen**, Naples, FL (US)

D666,689 S 9/2012 Martindale et al.
D666,869 S * 9/2012 Martindale D7/398
8,459,505 B2 6/2013 Martindale et al.
D697,753 S 1/2014 Brown
8,814,003 B2 8/2014 Santy et al.
D717,590 S 11/2014 Bond
D717,591 S 11/2014 Bond
D717,592 S 11/2014 Bond

(Continued)

(73) Assignee: **Lancer Corporation**, San Antonio, TX (US)

OTHER PUBLICATIONS

(**) Term: **15 Years**

8 button bar gun | posted at edco-distributing.myshopify.com, no posting date [online], [site visited Mar. 9, 2022]. Available from Internet, <URL: https://edco-distributing.myshopify.com/products/bar-gun-851-8-button-black-5-carb-1-non-carb-soda-water> (Year: 2022).*

(Continued)

(21) Appl. No.: **29/761,868**

Primary Examiner — Andrew Kerr

(22) Filed: **Dec. 11, 2020**

(51) **LOC (13) Cl.** **07-99**

(52) **U.S. Cl.**
USPC **D7/397**

(58) **Field of Classification Search**
USPC D7/213, 300, 307, 308, 312, 387, 397, D7/398; D20/4, 8
CPC B67D 1/00; B67D 1/0021; B67D 1/0084; B67D 1/0086
See application file for complete search history.

(57) **CLAIM**

The ornamental design for a bar gun, as shown and described.

DESCRIPTION

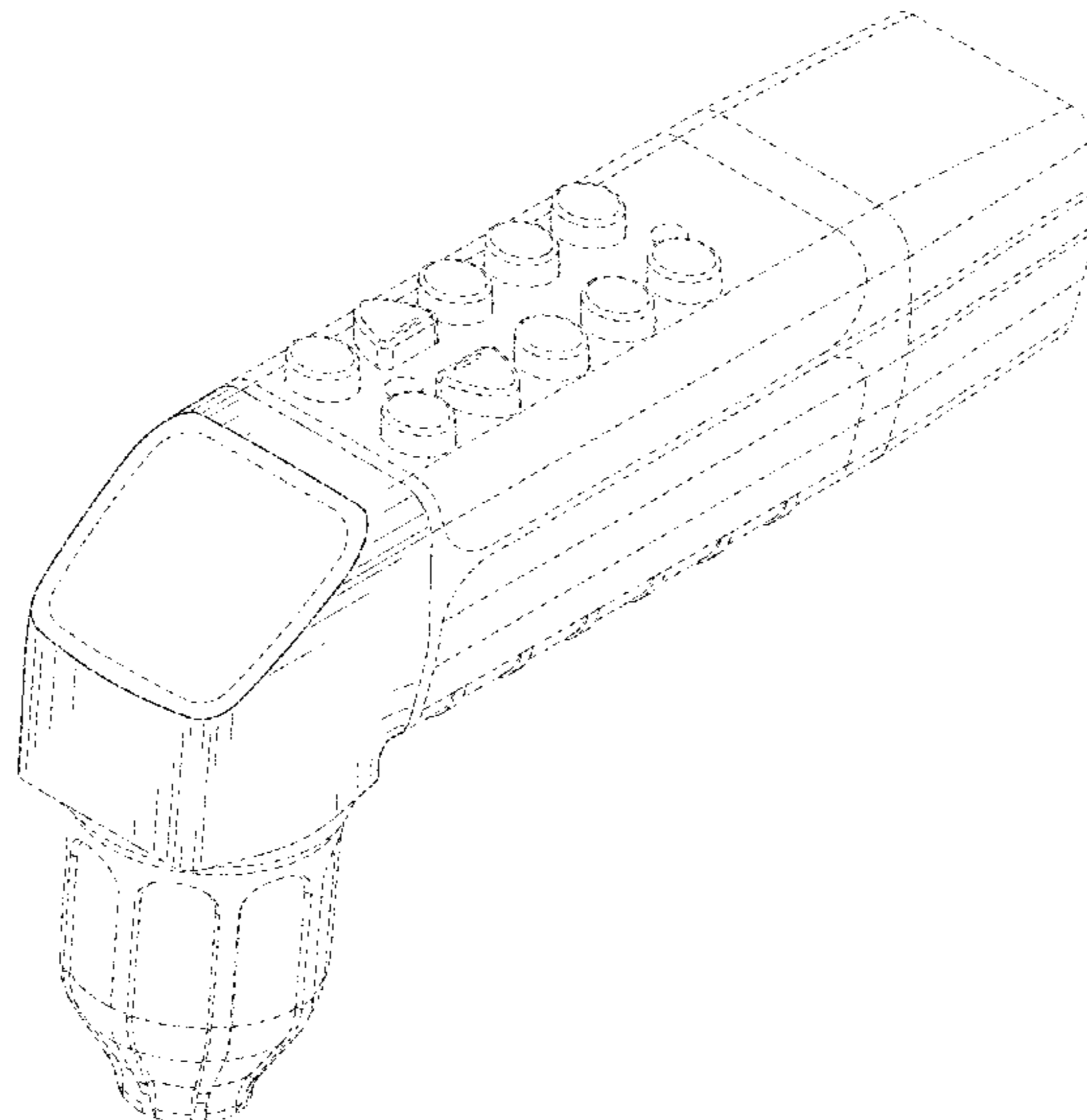
(56) **References Cited**

U.S. PATENT DOCUMENTS

4,433,795 A * 2/1984 Maiefski B67D 7/303 222/14
4,986,449 A 1/1991 Valiyee et al.
D326,375 S 5/1992 Manley et al.
7,028,864 B2 4/2006 McCann et al.
7,658,006 B2 2/2010 Schroeder
D626,373 S 11/2010 Valiyee et al.
D626,374 S 11/2010 Valiyee et al.
D628,014 S 11/2010 Martindale
7,931,382 B2 4/2011 Hecht
D638,659 S 5/2011 Martindale et al.
8,109,413 B2 2/2012 Schroeder et al.
8,162,182 B2 4/2012 Martindale

FIG. 1 is top front perspective view of a bar gun according to the design;
FIG. 2 is a bottom rear perspective view of the bar gun;
FIG. 3 is a front view of the bar gun;
FIG. 4 is a rear view of the bar gun;
FIG. 5 is a left side view of the bar gun;
FIG. 6 is a right side view of the bar gun;
FIG. 7 is a top view of the bar gun; and,
FIG. 8 is a bottom view of the bar gun.
The dash-dash broken lines in the drawing views depict portions of the bar gun that form no part of the claimed design. The dot-dot-dash broken lines in the drawing views define the bounds of the claimed design and form no part thereof.

1 Claim, 7 Drawing Sheets



(56)

References Cited

U.S. PATENT DOCUMENTS

D717,593	S	11/2014	Bond	
D758,795	S	6/2016	Bond et al.	
D786,616	S	5/2017	Brown	
10,035,694	B1	7/2018	Broen et al.	
D827,366	S	9/2018	Broen et al.	
2011/0073617	A1 *	3/2011	Martindale B67D 1/0086 222/144.5
2012/0325855	A1	12/2012	Brown et al.	
2016/0060091	A1	3/2016	Hecht et al.	

OTHER PUBLICATIONS

“Taprite—Rattler Bar Beverage Dispensers”, posted at taprite.com, dated Jan. 17, 2021, <<https://www.taprite.com/rattler-bar-beverage-dispensers>>.

“Bargun Sales Sheet”, downloaded from www.wunderbar.com/products/details/bargun on Jan. 17, 2021, <https://www.wunderbar.com/assets/upload/product_specs/Wunder-Bar_BarGunSalesSheet_041118.pdf>.

* cited by examiner

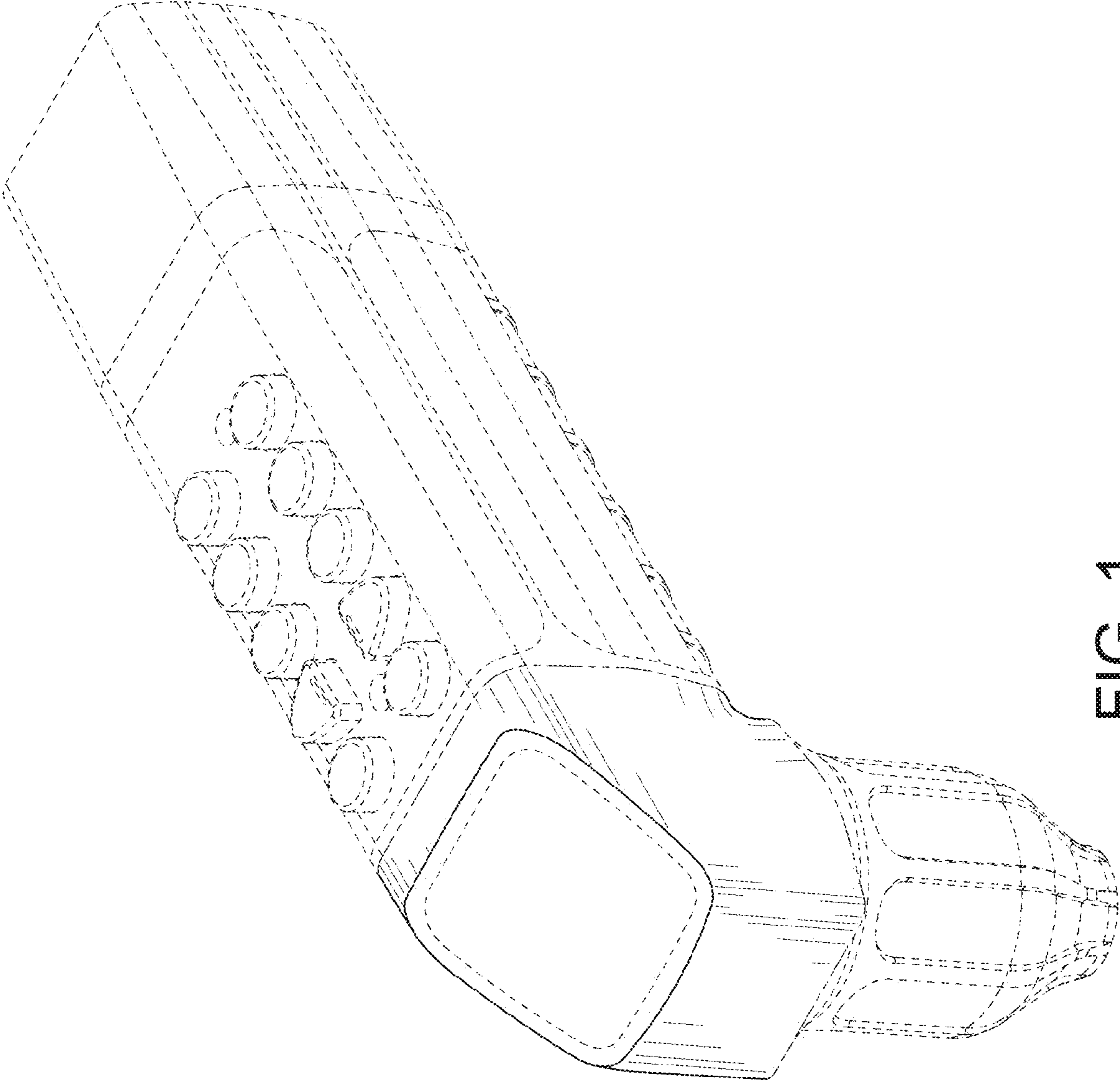


FIG. 1

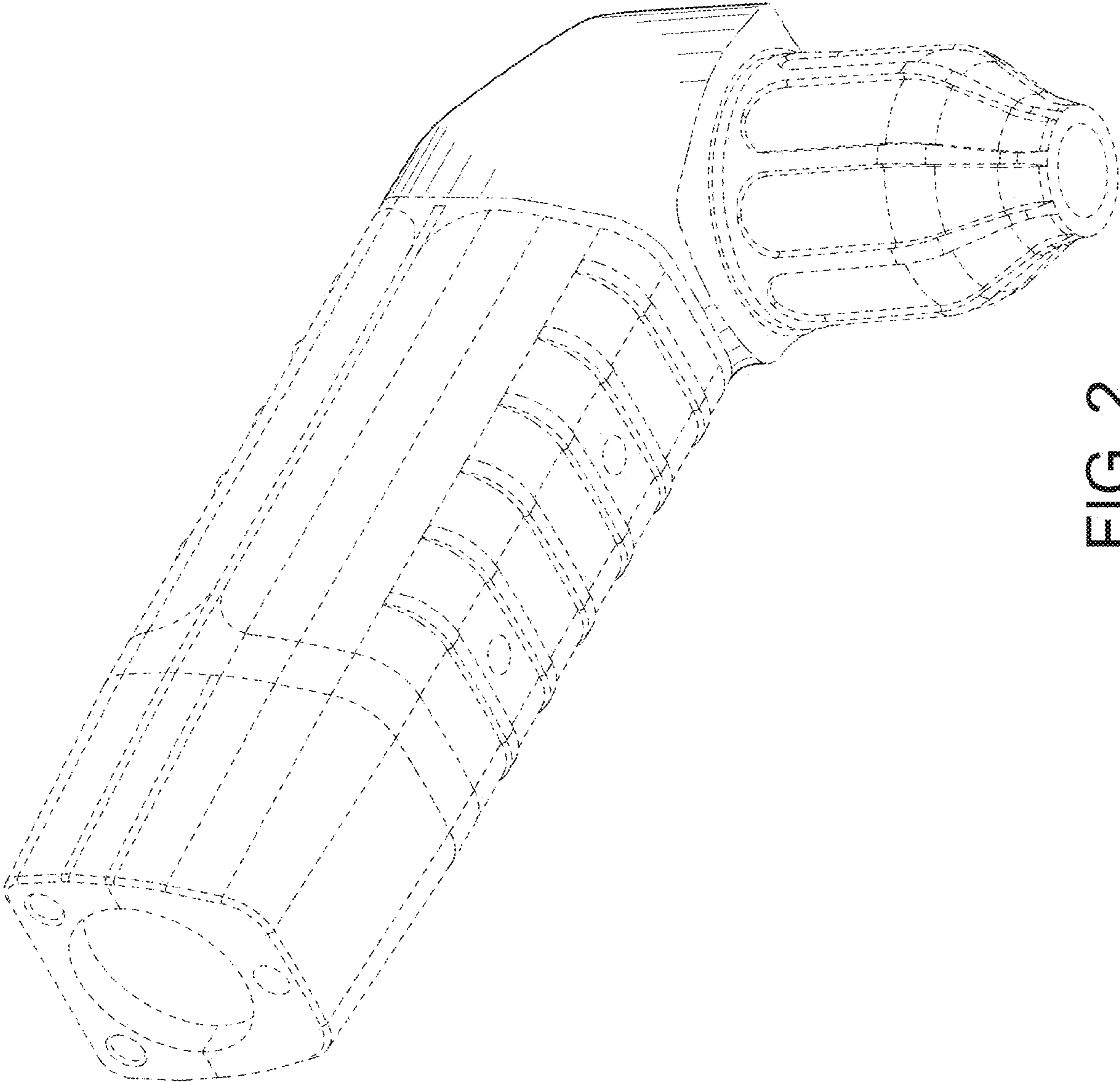


FIG. 2

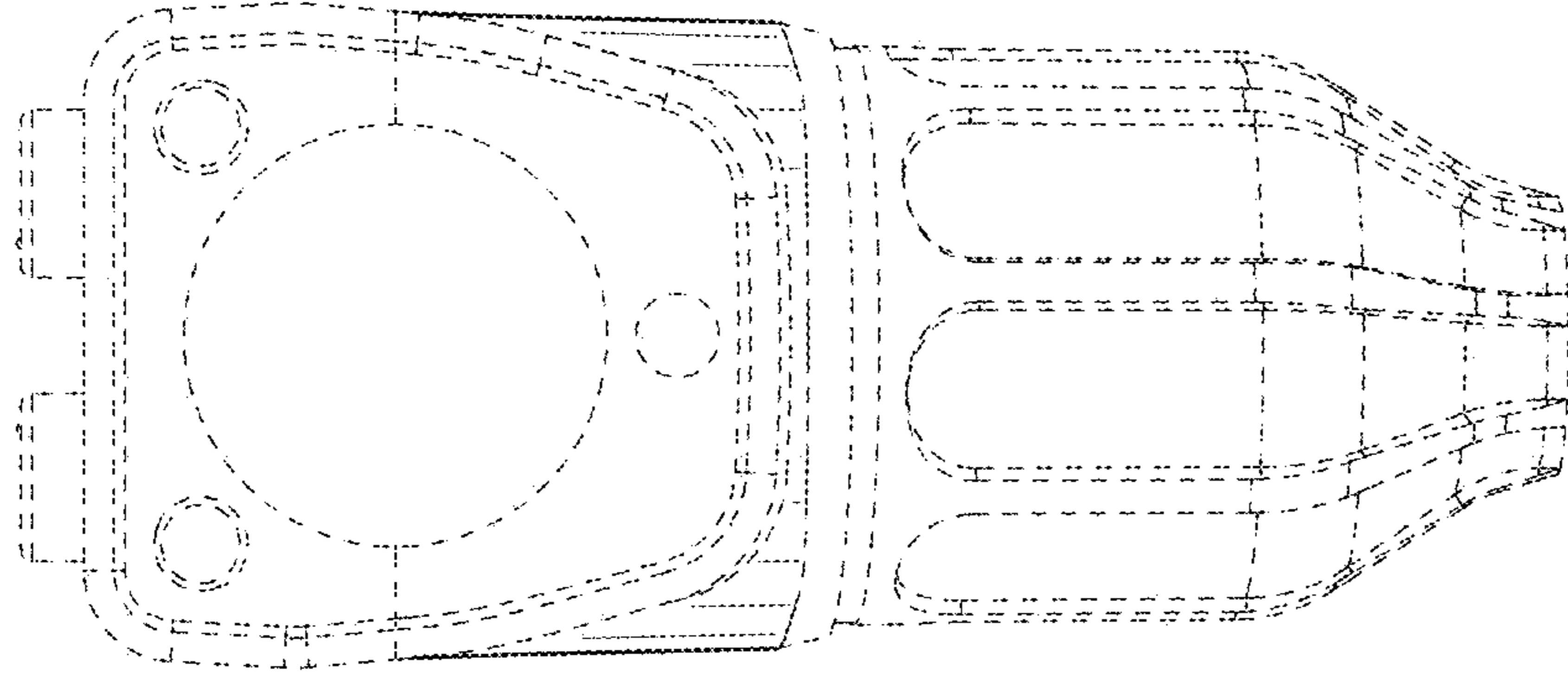


FIG. 4

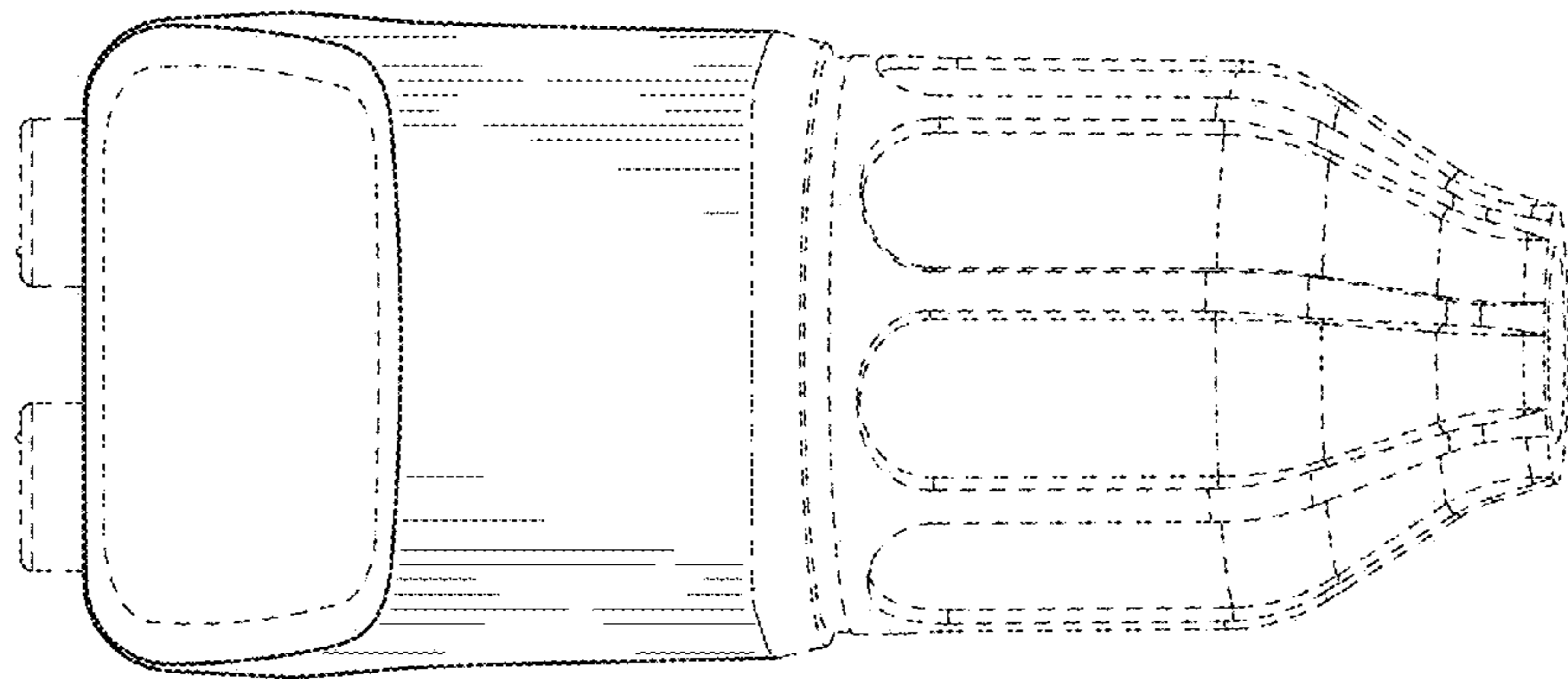


FIG. 3

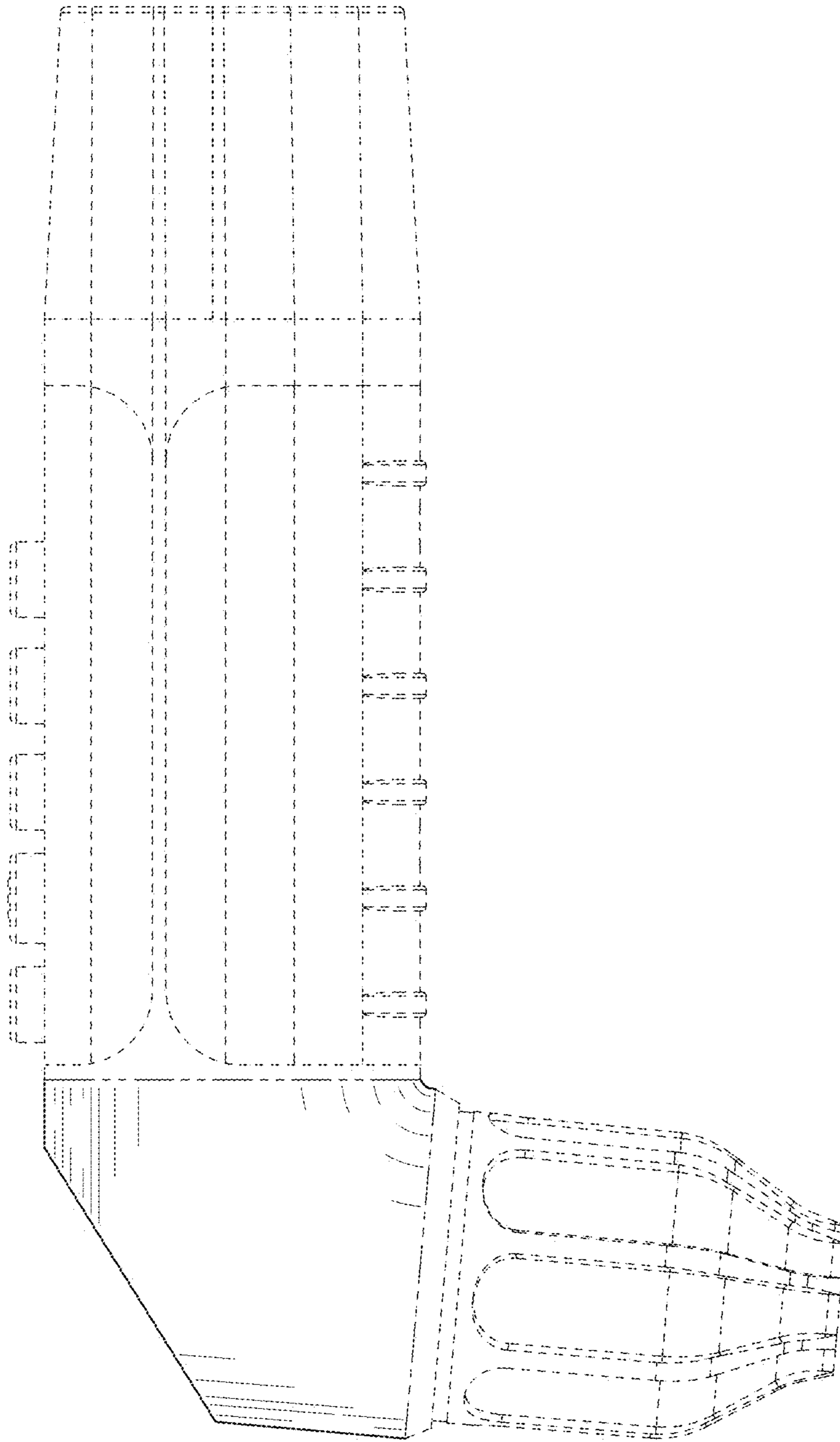


FIG. 5

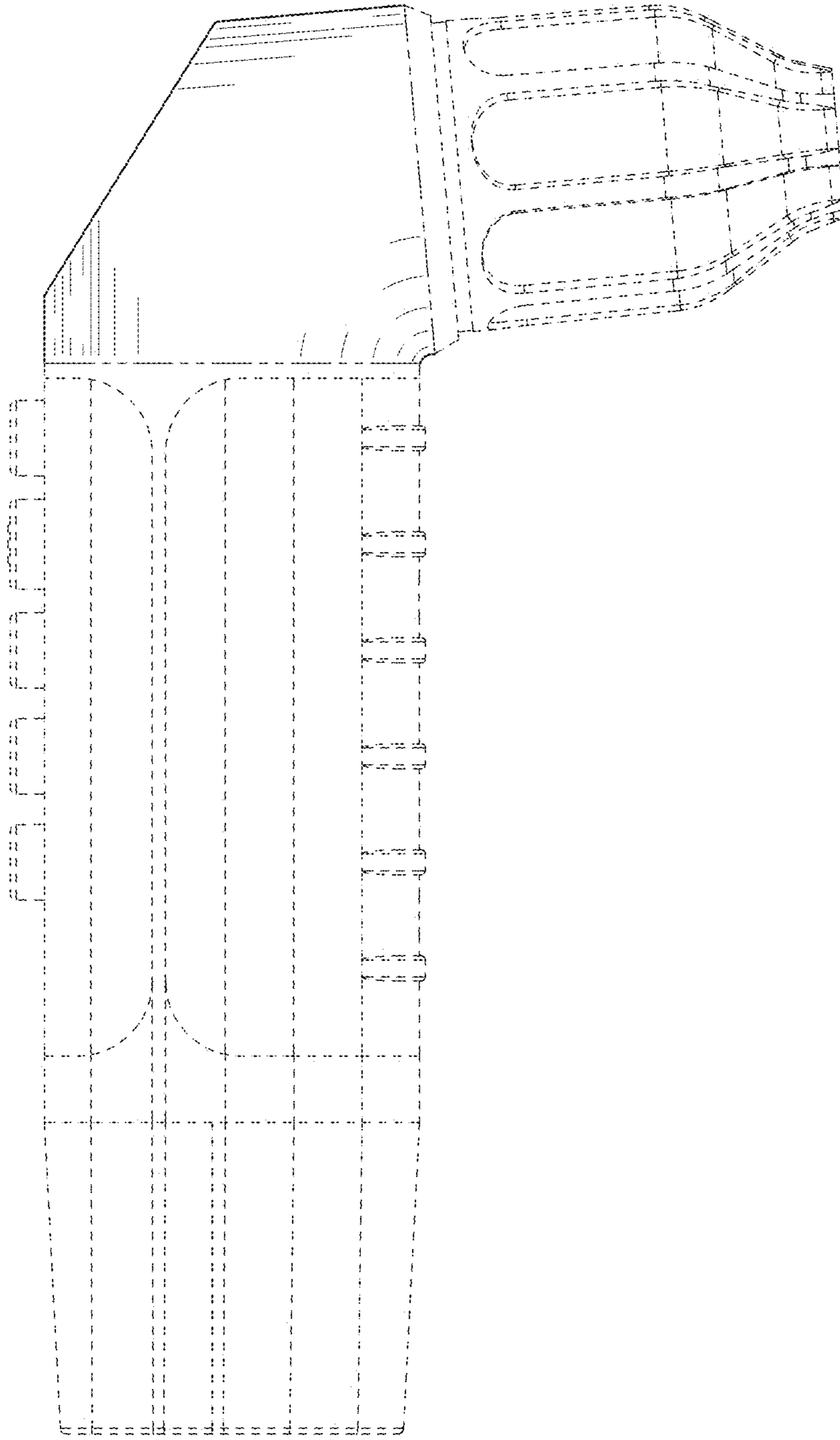


FIG. 6

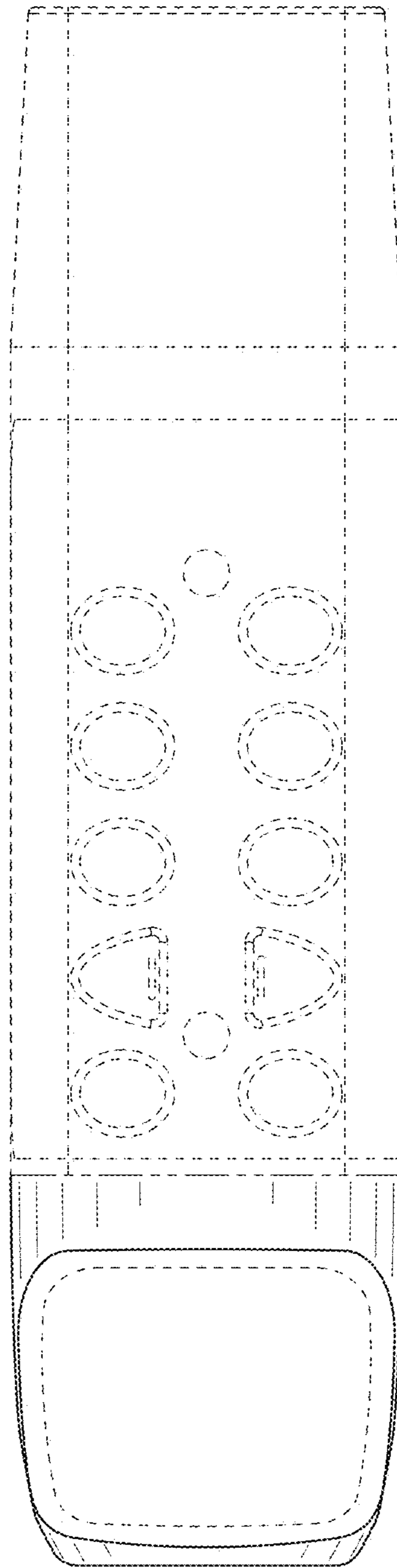


FIG. 7

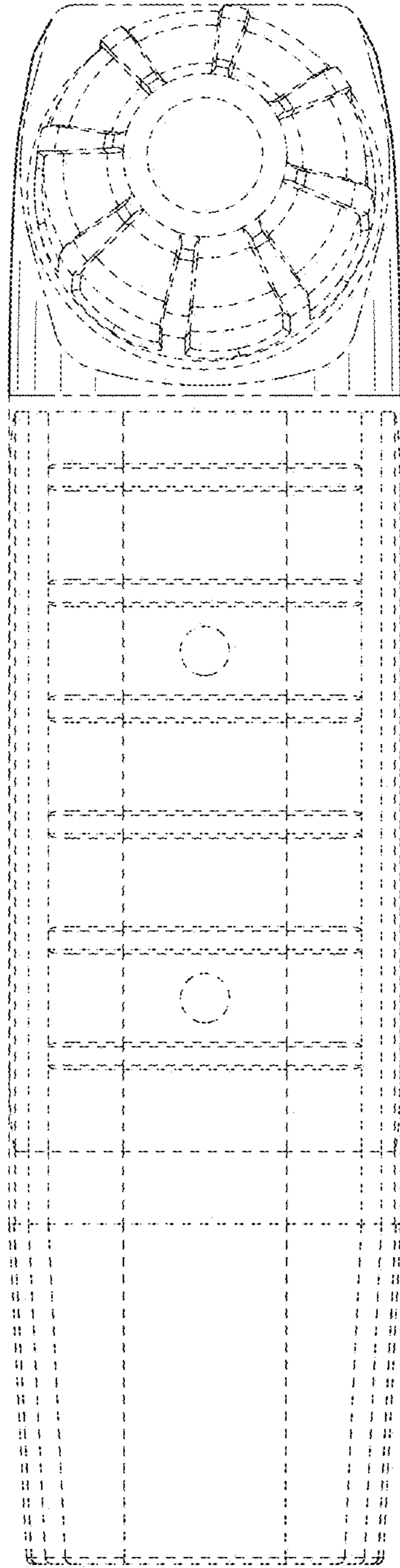


FIG. 8