



US00D957186S

(12) **United States Design Patent**
Wang

(10) **Patent No.:** **US D957,186 S**
(45) **Date of Patent:** **** Jul. 12, 2022**

- (54) **BOTTLE LID**
- (71) Applicant: **TAIZHOU TAIBO PLASTIC CO., LTD.**, Zhejiang (CN)
- (72) Inventor: **Jinqiao Wang**, Zhejiang (CN)
- (73) Assignee: **TAIZHOU TAIBO PLASTIC CO., LTD.**, Zhejiang (CN)
- (**) Term: **15 Years**
- (21) Appl. No.: **29/795,104**
- (22) Filed: **Jun. 16, 2021**
- (51) **LOC (13) Cl.** **07-99**
- (52) **U.S. Cl.**
USPC **D7/392.1**
- (58) **Field of Classification Search**
USPC D7/391, 392, 396.2, 507, 509, 510, 523,
D7/605, 608, 300, 319, 373, 379, 392.1,
D7/397, 400, 511, 515; D6/515;
D9/435, 454, 686
CPC B65D 2543/00046; B65D 2543/40; B65D
2543/205; B65D 2543/206; B65D 83/40;
B65D 83/205; B65D 83/206
See application file for complete search history.

- D761,058 S * 7/2016 Ou D7/510
- D770,222 S * 11/2016 Boroski D9/449
- D780,517 S * 3/2017 Boroski D7/529
- D794,453 S * 8/2017 Boroski D9/449
- D795,011 S * 8/2017 Pisarevsky D7/510
- D811,879 S 3/2018 Way
- D821,816 S * 7/2018 Racamier B65D 25/28
D7/511
- D848,787 S * 5/2019 Tatsukawa D7/392.1
- D853,238 S 7/2019 Yao
- D853,784 S * 7/2019 Wu D7/392.1
- D890,564 S * 7/2020 Hao D9/449
- D942,808 S * 2/2022 Wang D7/392.1

* cited by examiner

Primary Examiner — S. Bryan Reinholdt, Jr.
(74) *Attorney, Agent, or Firm* — ScienBiziP, P.C.

(57) **CLAIM**

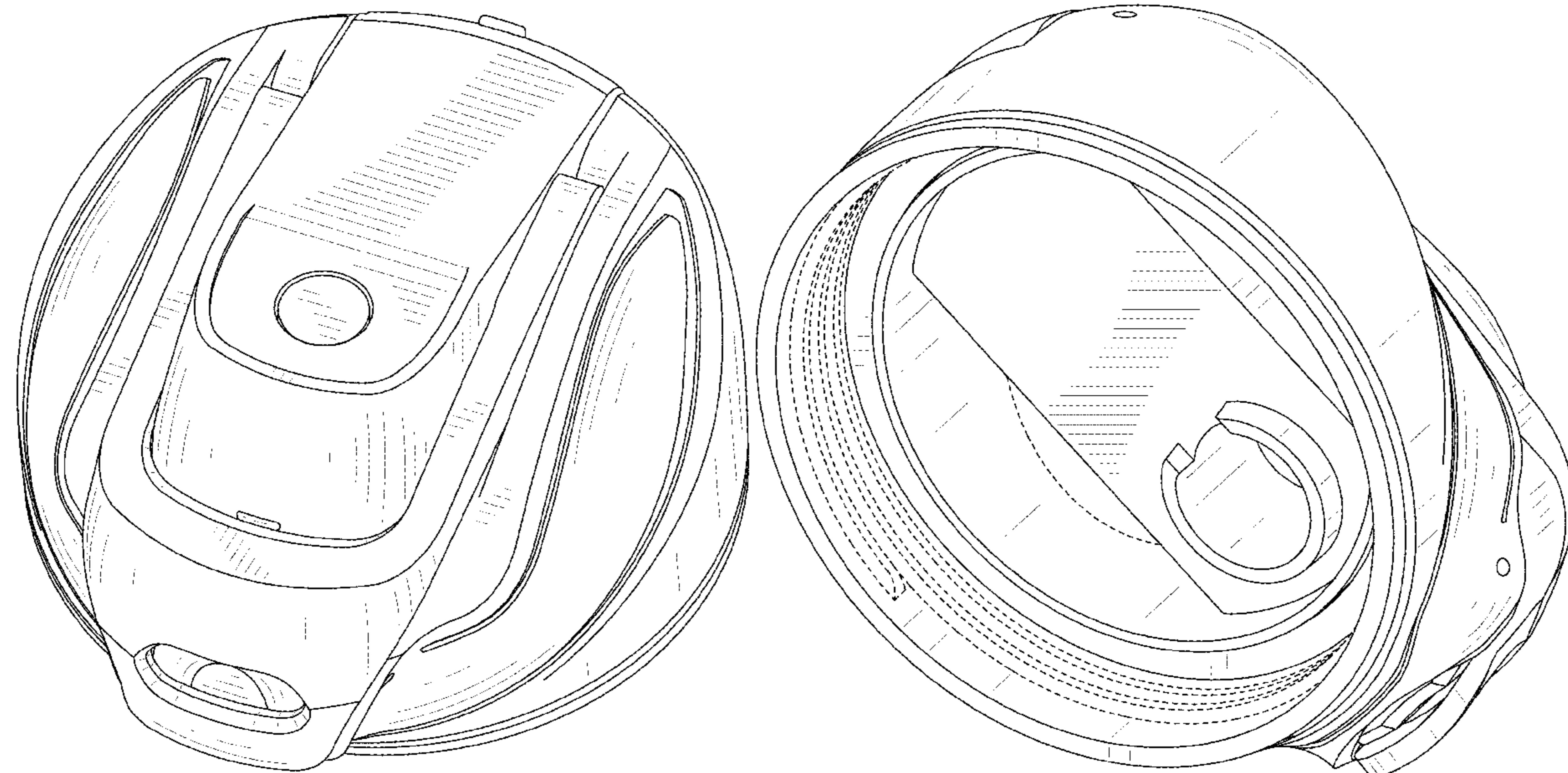
The ornamental design for a bottle lid, as shown and described.

DESCRIPTION

FIG. 1 is a front, right, and bottom perspective view of a bottle lid, showing my design.
 FIG. 2 is a rear, left, and top perspective view thereof.
 FIG. 3 is a front elevation view thereof.
 FIG. 4 is a rear elevation view thereof.
 FIG. 5 is a left side elevation view thereof.
 FIG. 6 is a right side elevation view thereof.
 FIG. 7 is a top plan view thereof; and,
 FIG. 8 is a bottom plan view thereof.
 The broken lines shown in the drawings are included for the purpose of illustrating portions of the bottle lid that form no part of the claimed design.

1 Claim, 8 Drawing Sheets

- (56) **References Cited**
U.S. PATENT DOCUMENTS
D590,661 S * 4/2009 Kitamura D7/510
D619,418 S * 7/2010 Nezu D7/510
RE42,484 E * 6/2011 Kitamura D7/510
D695,069 S * 12/2013 Lane D7/510
D725,966 S * 4/2015 Boroski D7/511



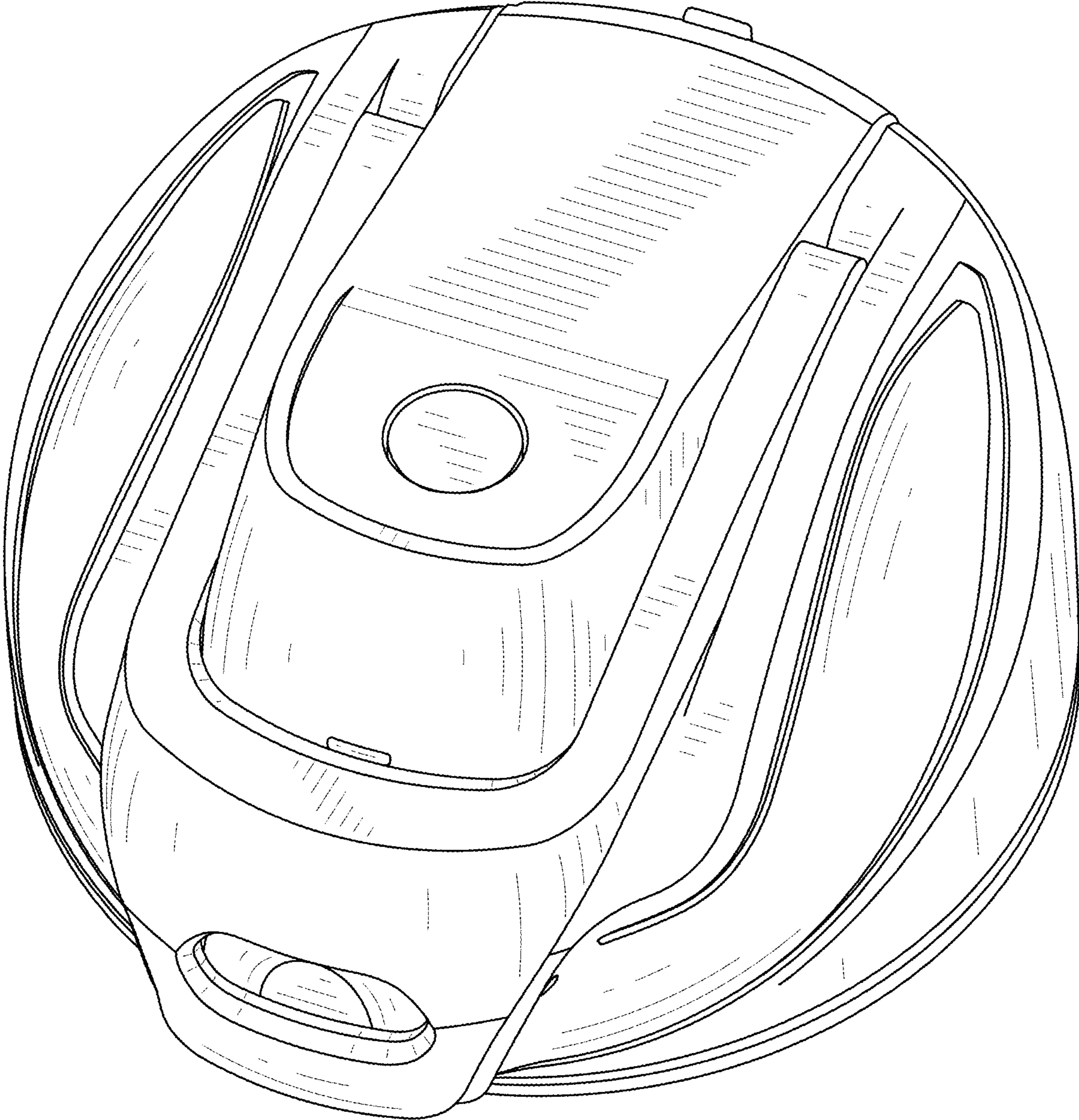


FIG. 1

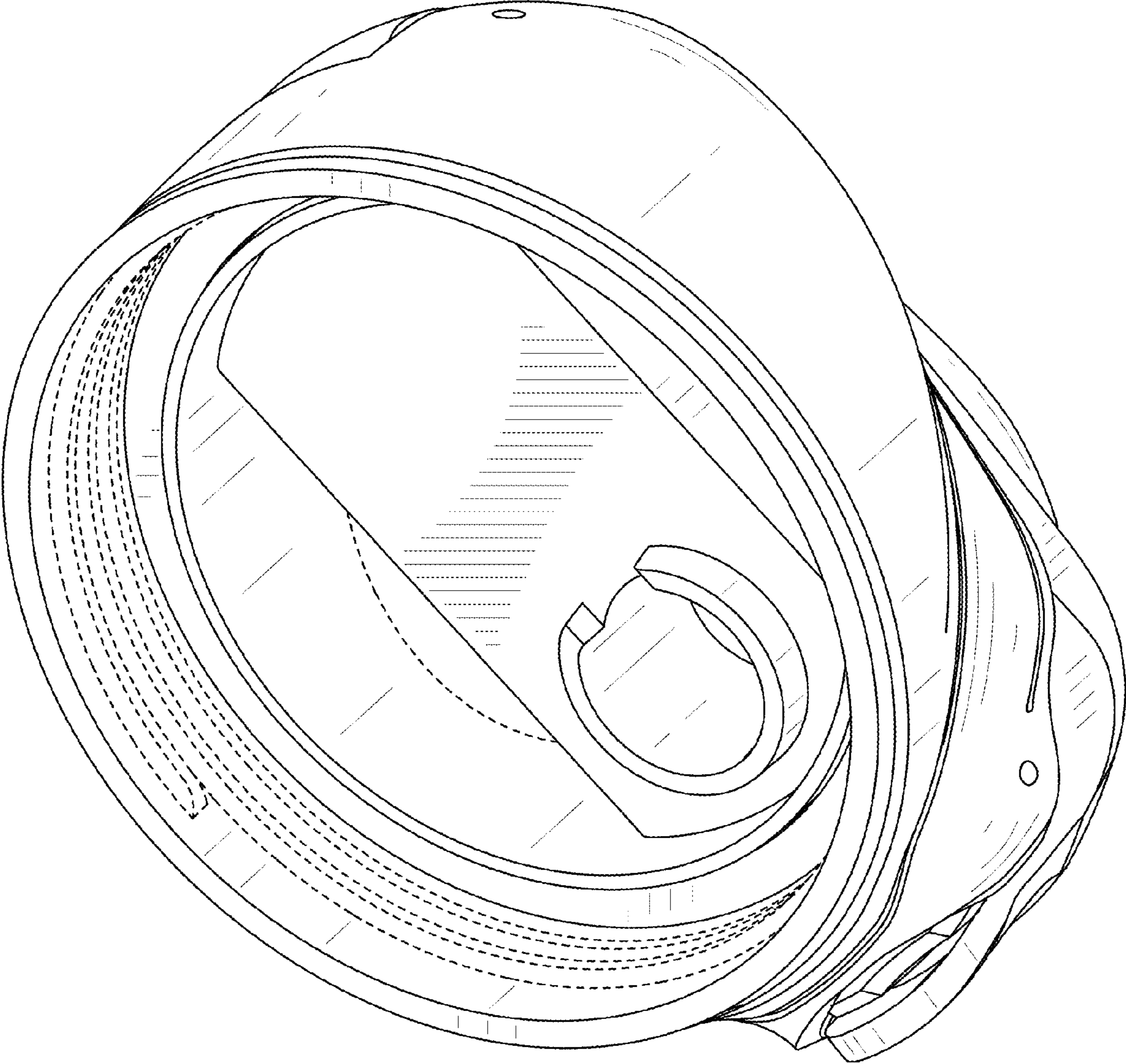


FIG. 2

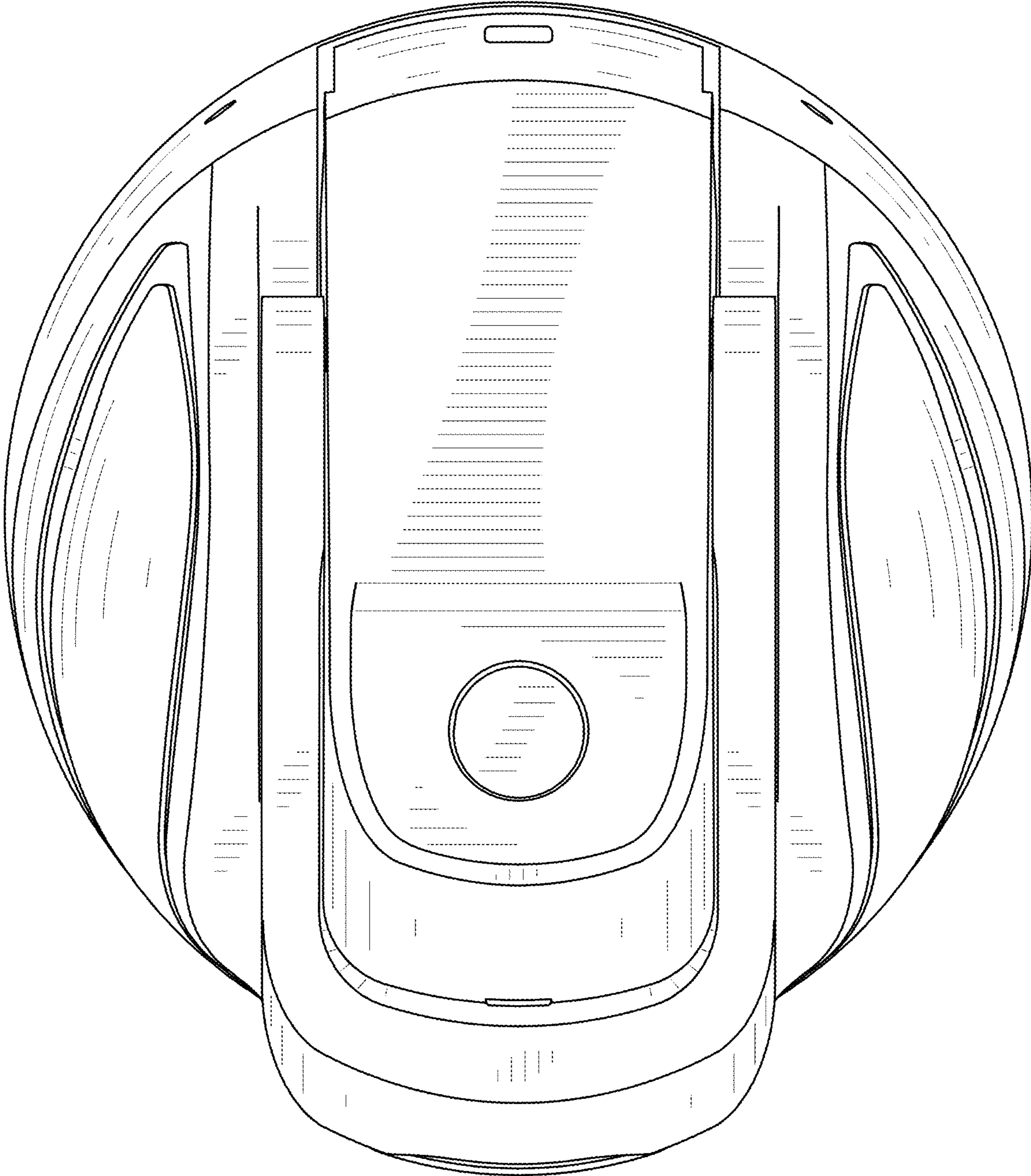


FIG. 3

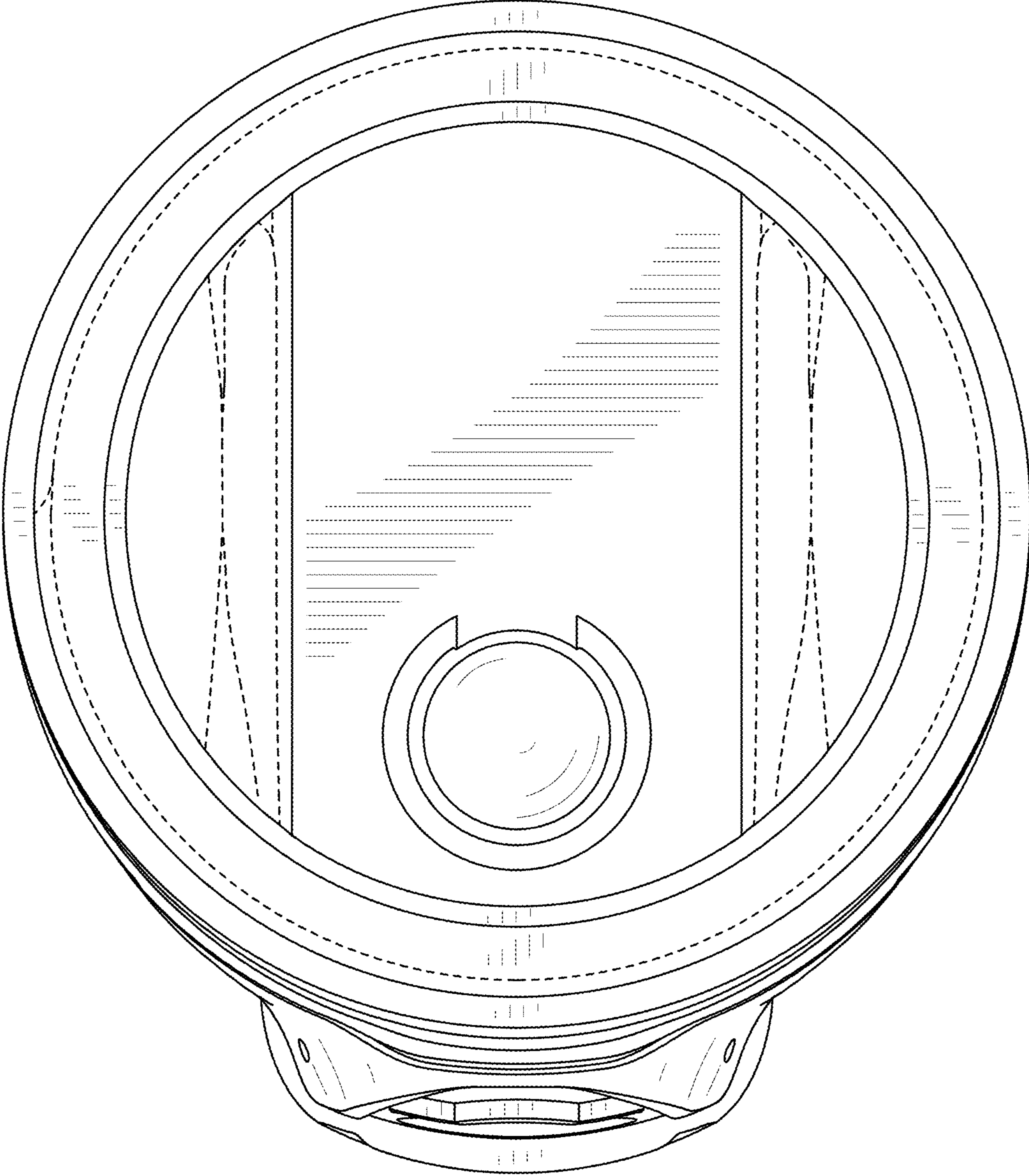


FIG. 4

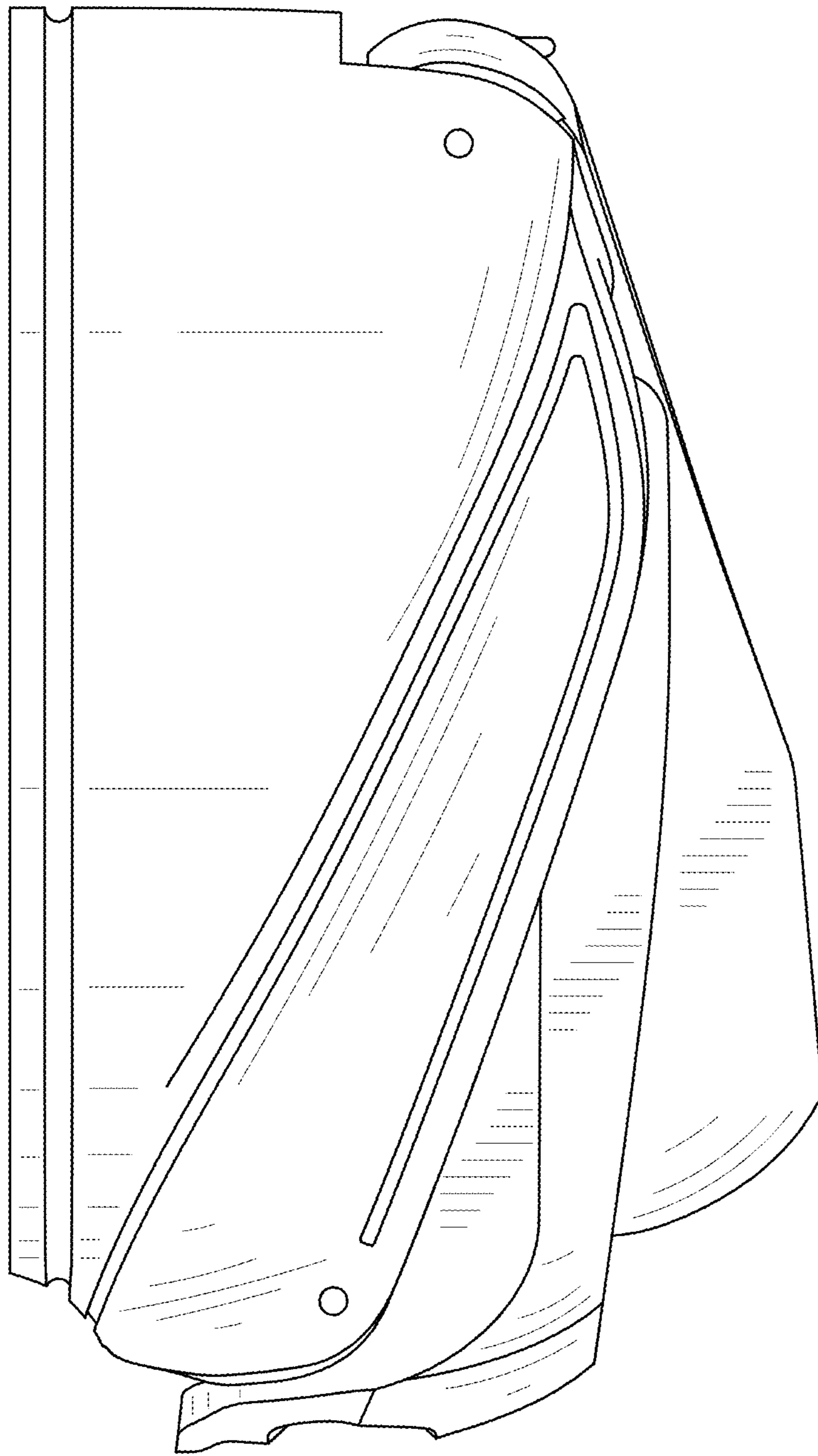


FIG. 5



FIG. 6

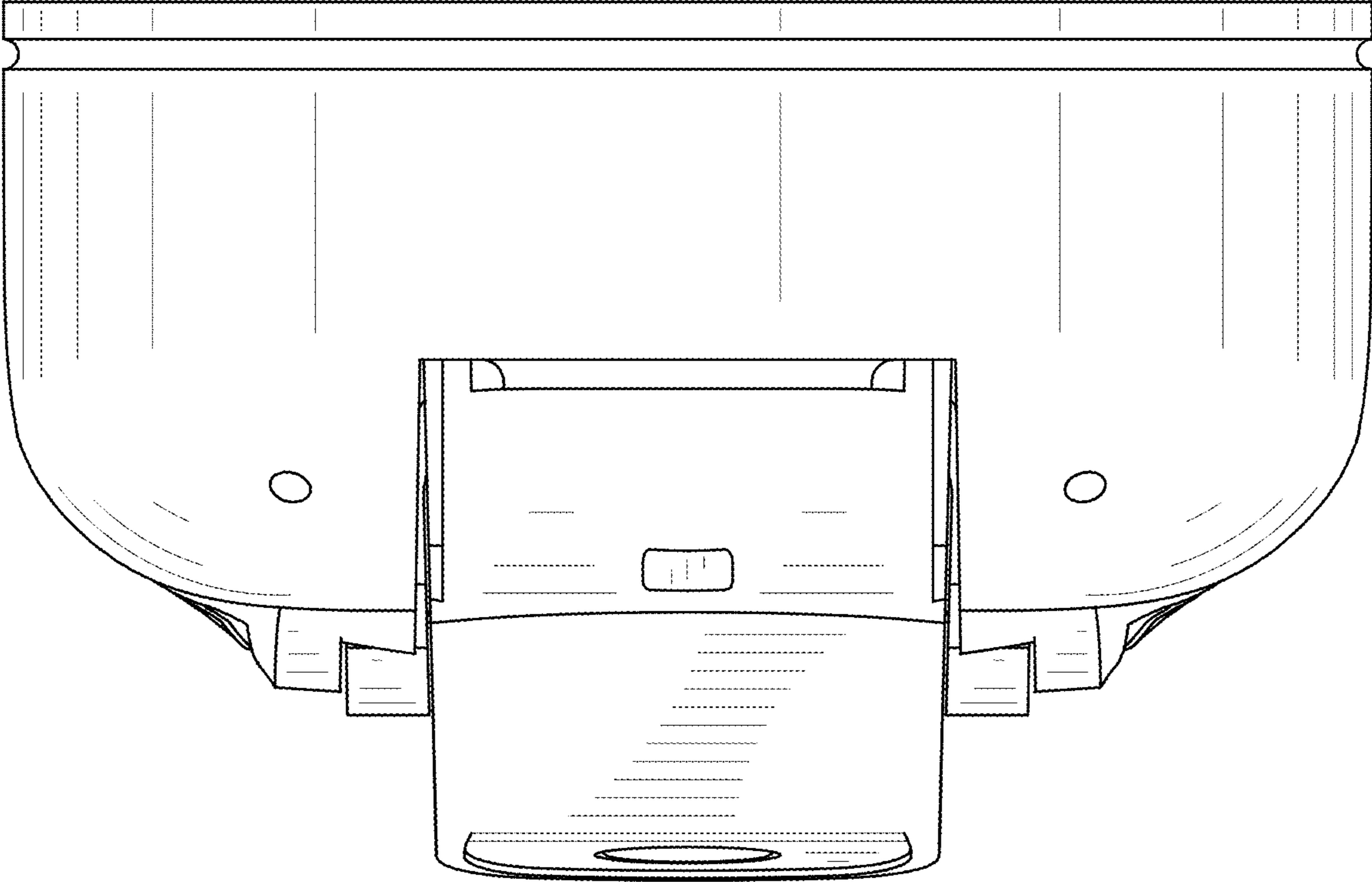


FIG. 7

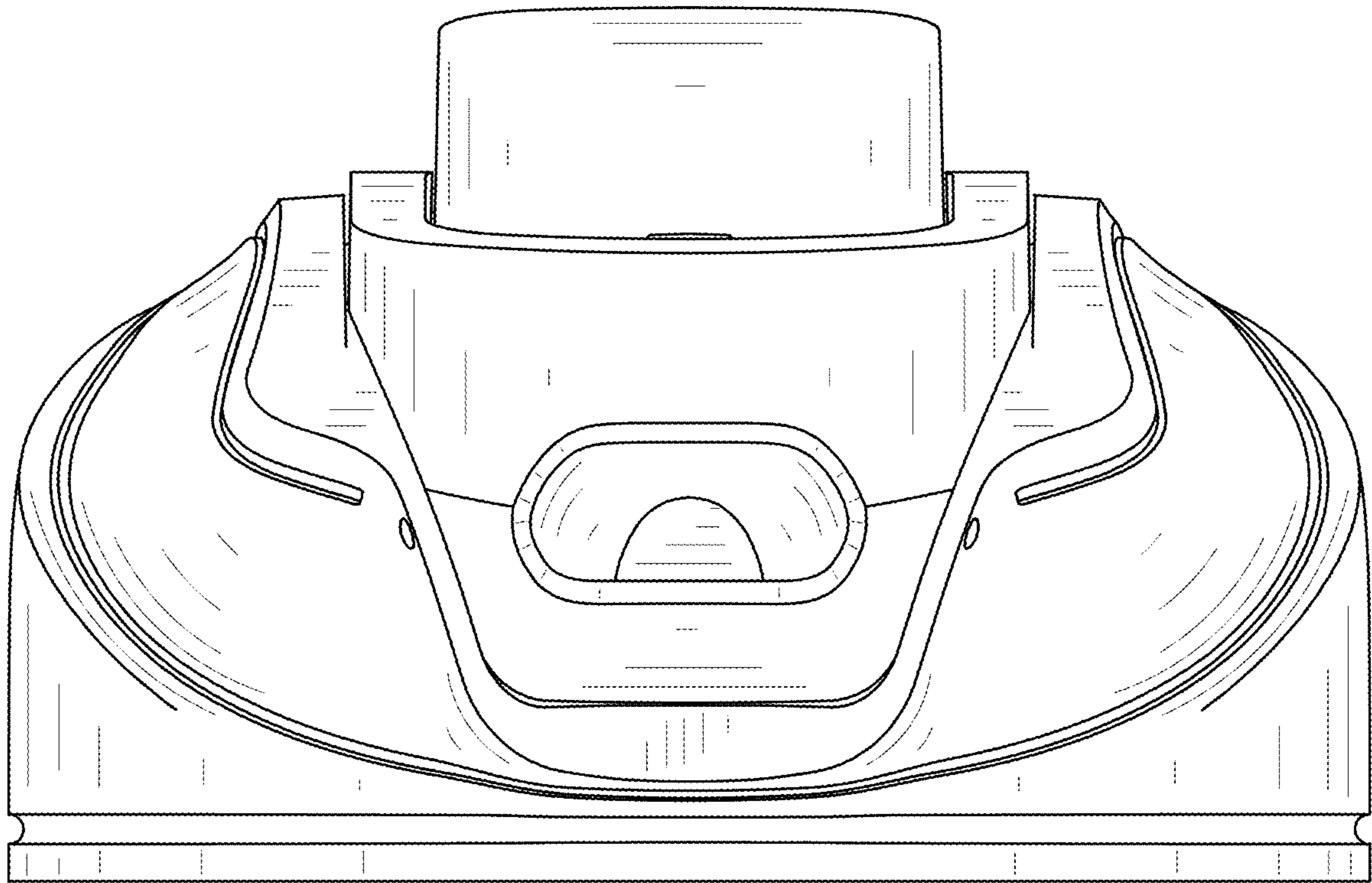


FIG. 8