



US00D957185S

(12) **United States Design Patent** (10) **Patent No.:** **US D957,185 S**
Chen et al. (45) **Date of Patent:** **** Jul. 12, 2022**

(54) **BOTTLE LID**
(71) Applicants: **FUJIAN SPD E-COMMERCE CO., LTD.**, Xiamen (CN); **Yuejin Pan**, Taizhou (CN)
(72) Inventors: **Honghui Chen**, Xiamen (CN); **Yuejin Pan**, Taizhou (CN)
(73) Assignees: **FUJIAN SPD E-COMMERCE CO., LTD.**, Xiamen (CN); **Yuejin Pan**, Taizhou (CN)

D608,640 S * 1/2010 Carreno D9/449
RE42,484 E * 6/2011 Kitamura D7/510
D661,945 S * 6/2012 Eyal D7/396.2
D675,060 S * 1/2013 Lane D7/392.1
D686,871 S * 7/2013 Lane D9/449
D778,117 S * 2/2017 Du D7/608
D794,453 S * 8/2017 Boroski D7/396.2
D801,173 S 10/2017 Lown et al.
D818,767 S * 5/2018 Nezu D7/392.1
D822,429 S * 7/2018 Washburn D7/387

(Continued)

(**) Term: **15 Years**

CN 303944216 * 11/2016

(21) Appl. No.: **29/785,741**

OTHER PUBLICATIONS

(22) Filed: **May 27, 2021**

Amazon.com “Fidus Large 1 Gallon Motivational Water Bottle” (online) date first available Apr. 18, 2020. Retrieved from Internet on Mar. 26, 2022, URL: <https://www.amazon.com/Fidus-Gallon-Motivational-Paracord-Removable/dp/B0878XXTST?th=1&psc=1> (9 pages). (Year: 2020).*

(51) **LOC (13) Cl.** **07-02**

(52) **U.S. Cl.**
USPC **D7/392.1; D9/449**

(58) **Field of Classification Search**
USPC D9/435, 436, 439, 440, 442–445, 447, D9/449, 450, 452–454, 499, 503, 504, D9/516, 529; D7/387, 391, 392, 392.1, D7/396.1, 396.2, 397, 398, 510, 511, 900; D3/202
CPC .. A61J 1/00; A61J 1/1412; B65D 1/00; B65D 1/02; B65D 1/10; B65D 1/46; B65D 5/46; B65D 41/00; B65D 41/26; B65D 41/38; B65D 41/56; B65D 41/62; B65D 43/00; B65D 47/00; B65D 47/04; B65D 47/06; B65D 47/061; B65D 47/065; B65D 47/08; B65D 47/12; B65D 47/122; B65D 47/40; B65D 2251/00; B65D 2543/00046; B65D 2543/00092; B65D 2543/00296

See application file for complete search history.

Primary Examiner — Wendy L Arminio

(57) **CLAIM**

The ornamental design for a bottle lid, as shown and described.

DESCRIPTION

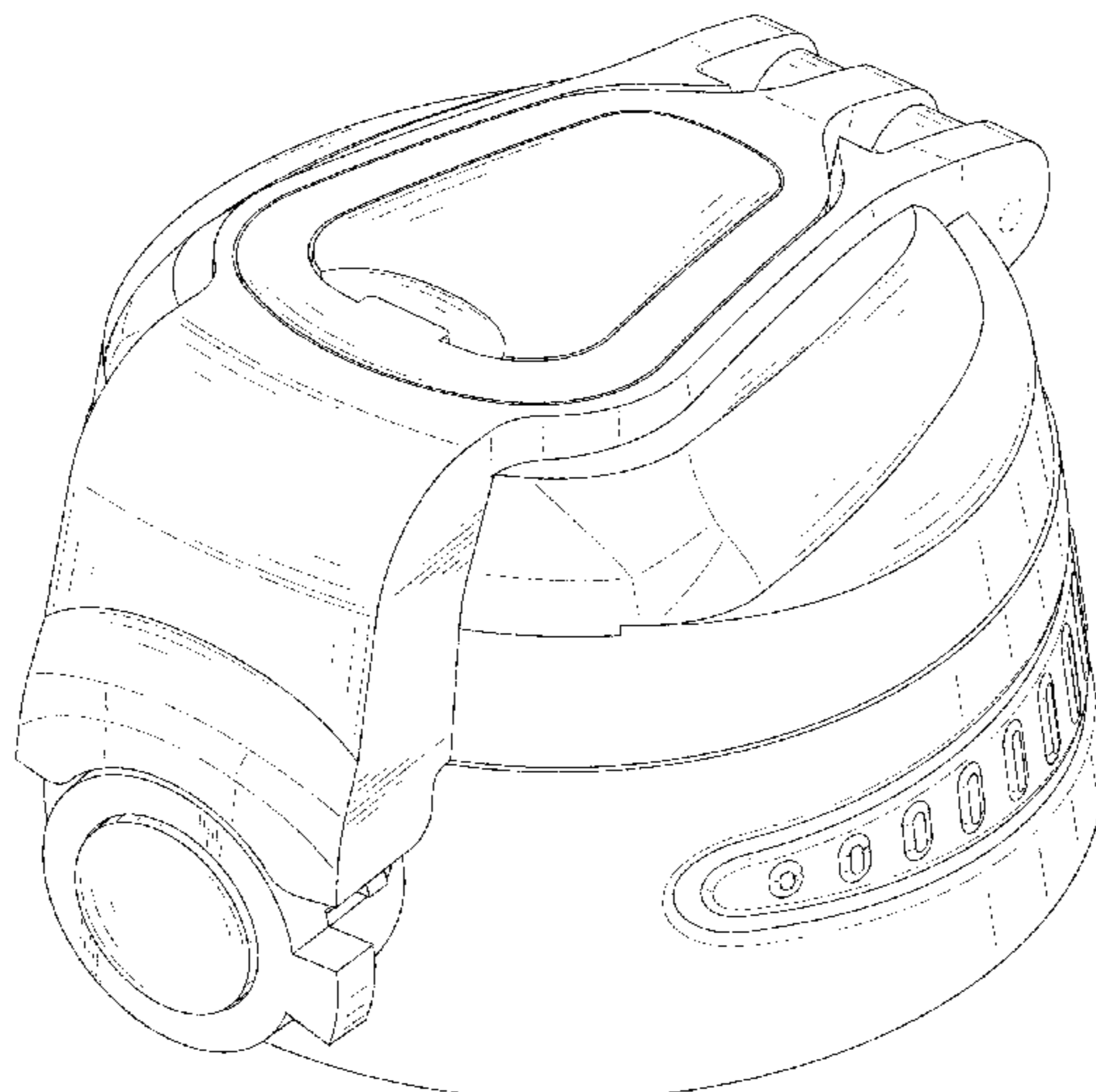
FIG. 1 is a perspective view of a bottle lid showing our new design;
FIG. 2 is another perspective view thereof;
FIG. 3 is a front elevational view thereof;
FIG. 4 is a rear elevational view thereof;
FIG. 5 is a left side elevational view thereof;
FIG. 6 is a right side elevational view thereof;
FIG. 7 is a top plan view thereof; and,
FIG. 8 is a bottom plan view thereof.
The broken lines in the drawings depict portions of the bottle lid that form no part of the claimed design.

(56) **References Cited**

U.S. PATENT DOCUMENTS

D533,061 S * 12/2006 Li D9/443
D590,661 S * 4/2009 Kitamura D7/510

1 Claim, 8 Drawing Sheets



(56)

References Cited

U.S. PATENT DOCUMENTS

D839,044 S * 1/2019 Potter D7/392
D848,787 S * 5/2019 Tatsukawa D7/392.1
D853,784 S * 7/2019 Wu D7/392.1
D861,421 S * 10/2019 Barber D9/443
D869,230 S * 12/2019 Hao D9/452
D884,473 S 5/2020 Tse et al.
D897,776 S * 10/2020 Pan D7/511
D902,648 S * 11/2020 Wang D9/449
D909,128 S * 2/2021 Hu D7/396.2
D923,397 S * 6/2021 Lin D7/392.1
D928,558 S * 8/2021 Han D7/392.1
D937,036 S * 11/2021 Shi D9/452
D939,271 S * 12/2021 Chen D7/392.1
D941,086 S * 1/2022 Zhou D9/443
D942,212 S * 2/2022 Zhou D7/392.1
D943,343 S * 2/2022 Wang D7/392.1

* cited by examiner

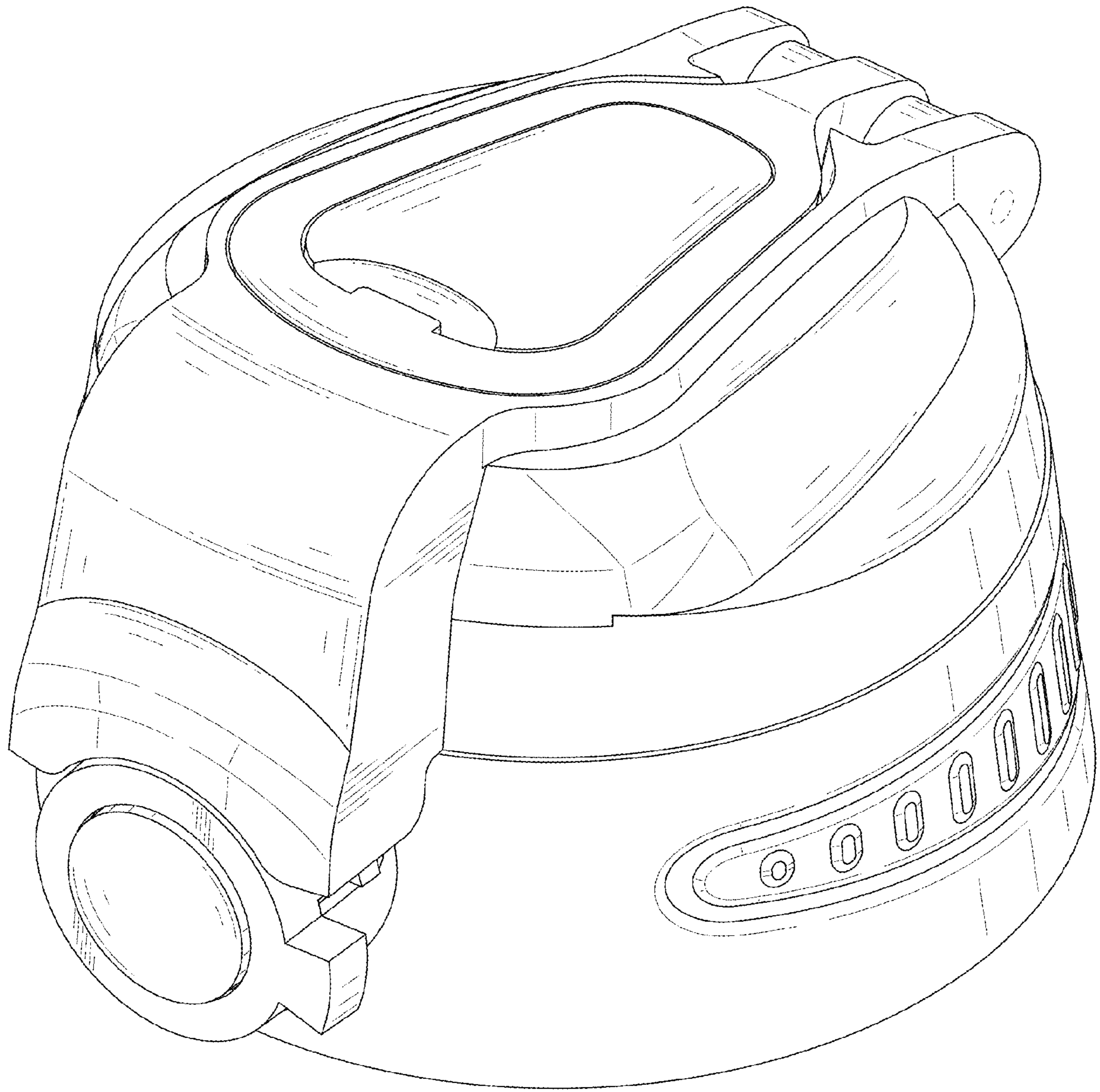


FIG. 1

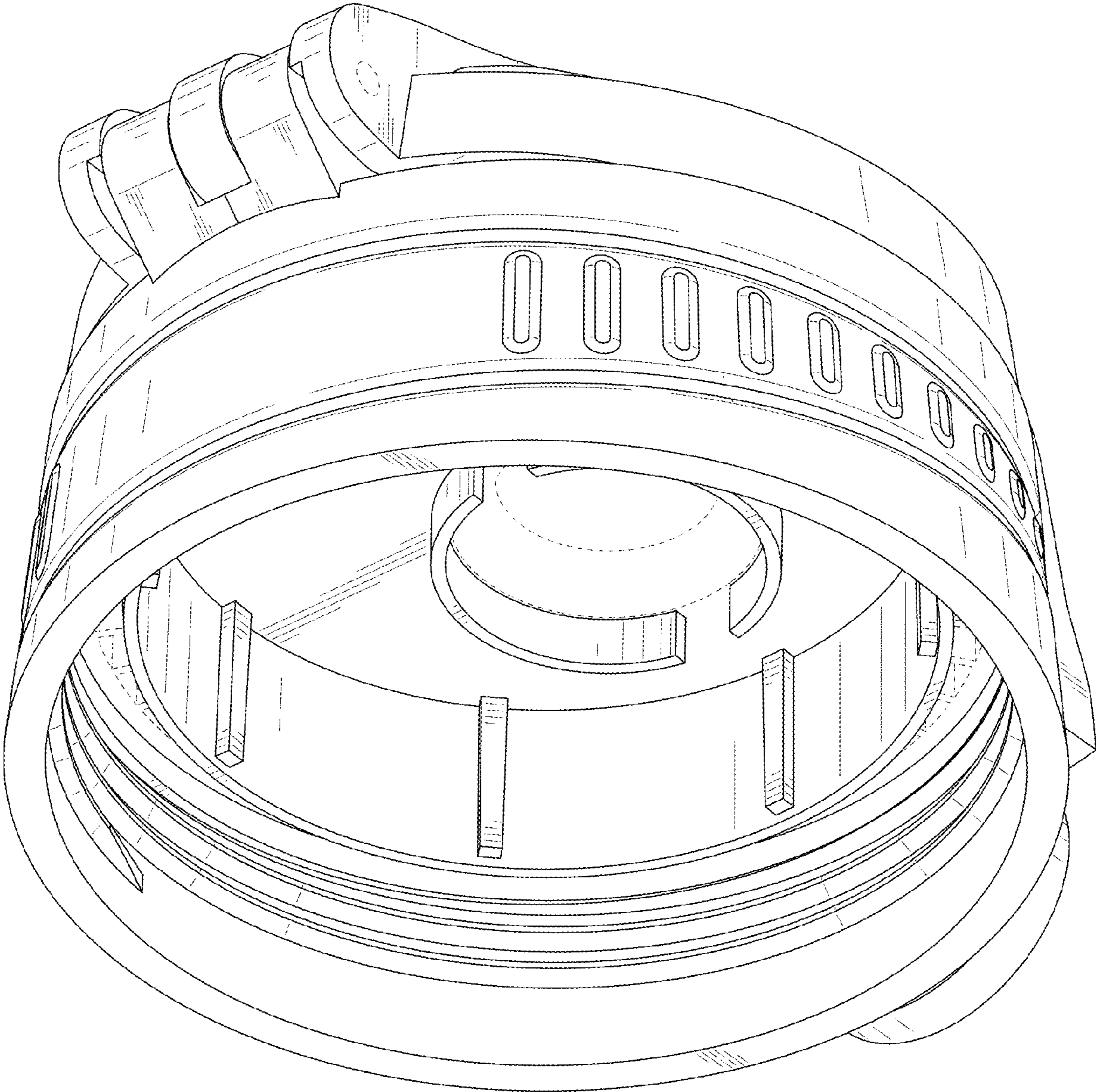


FIG. 2

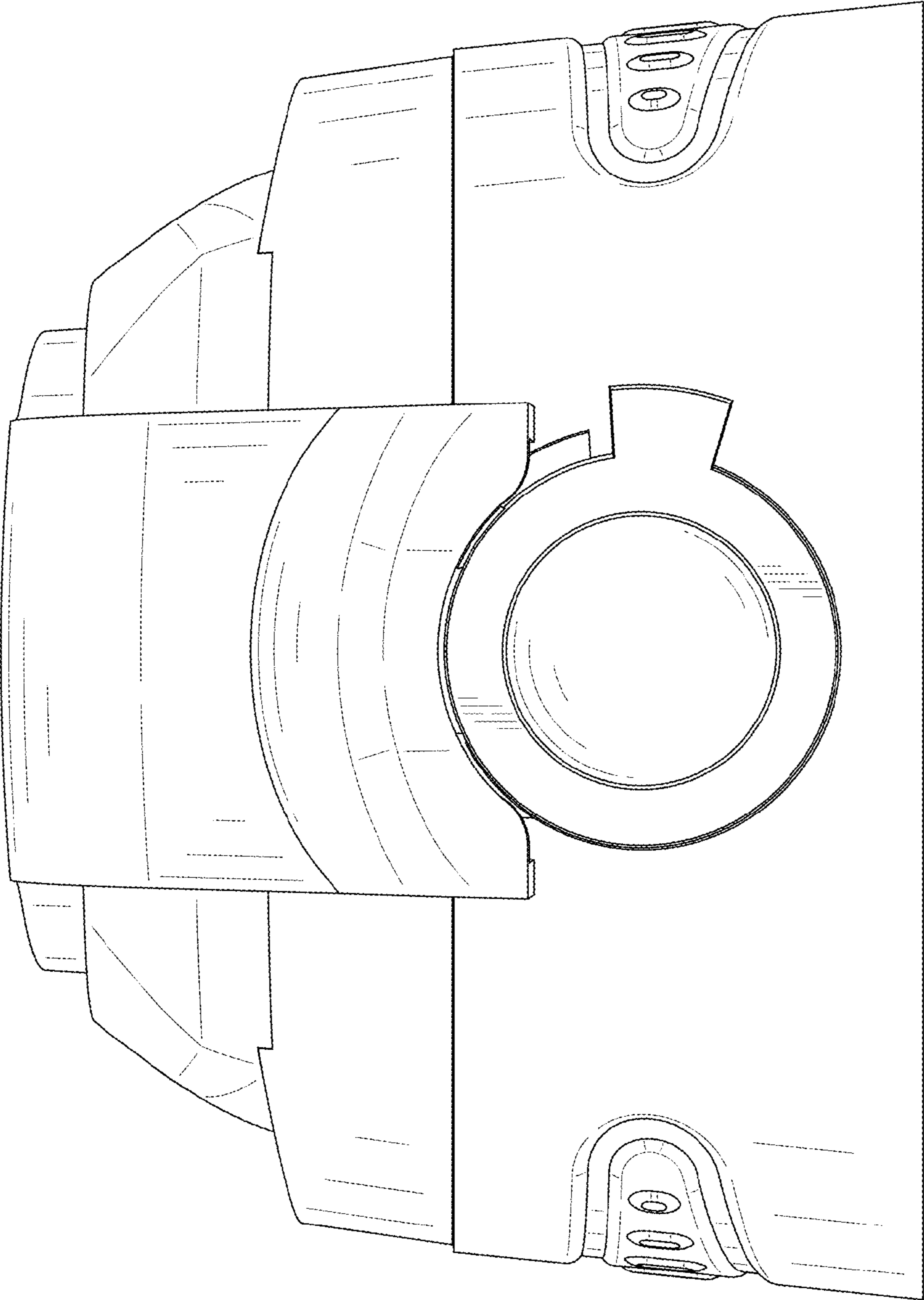


FIG. 3

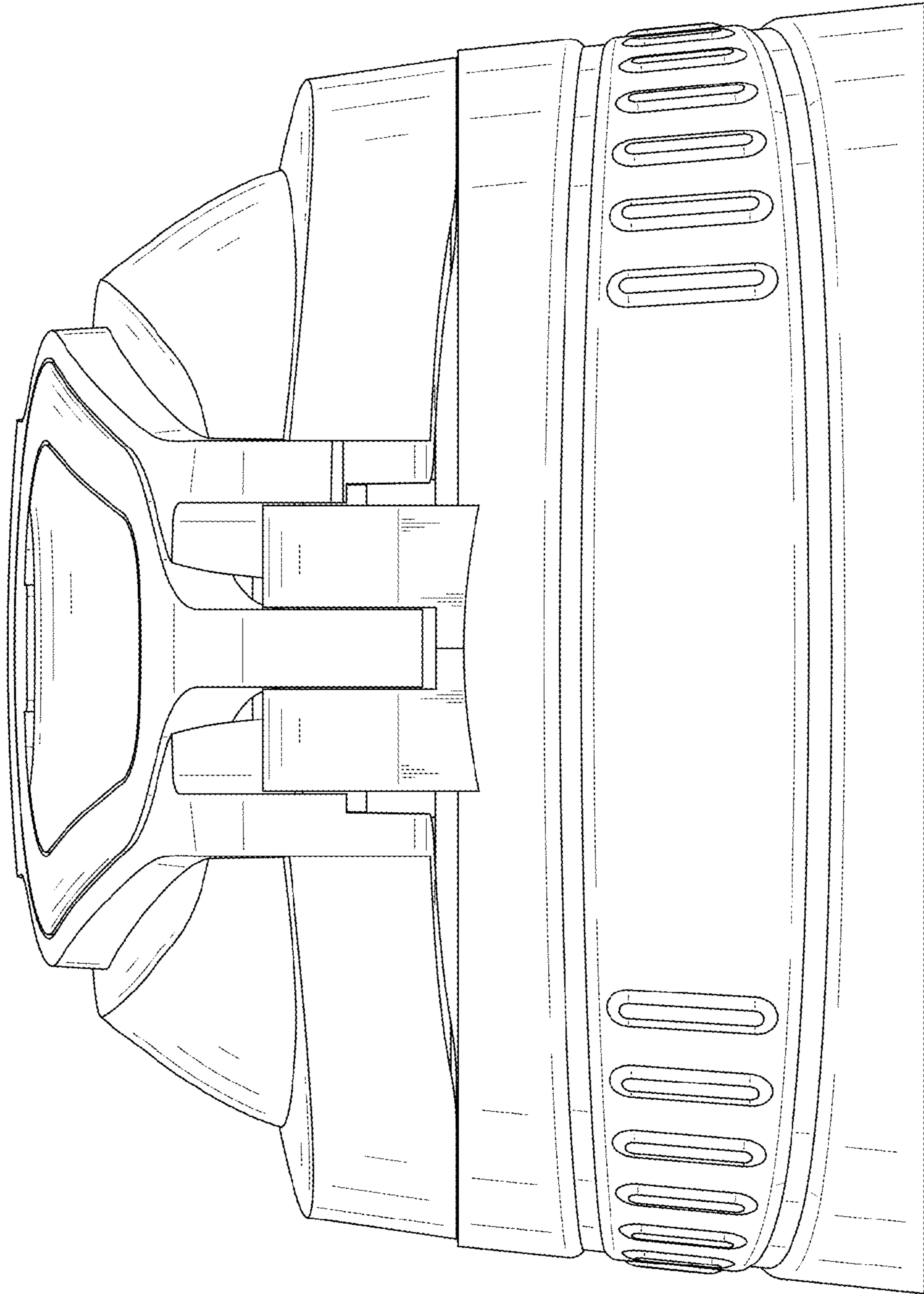


FIG. 4

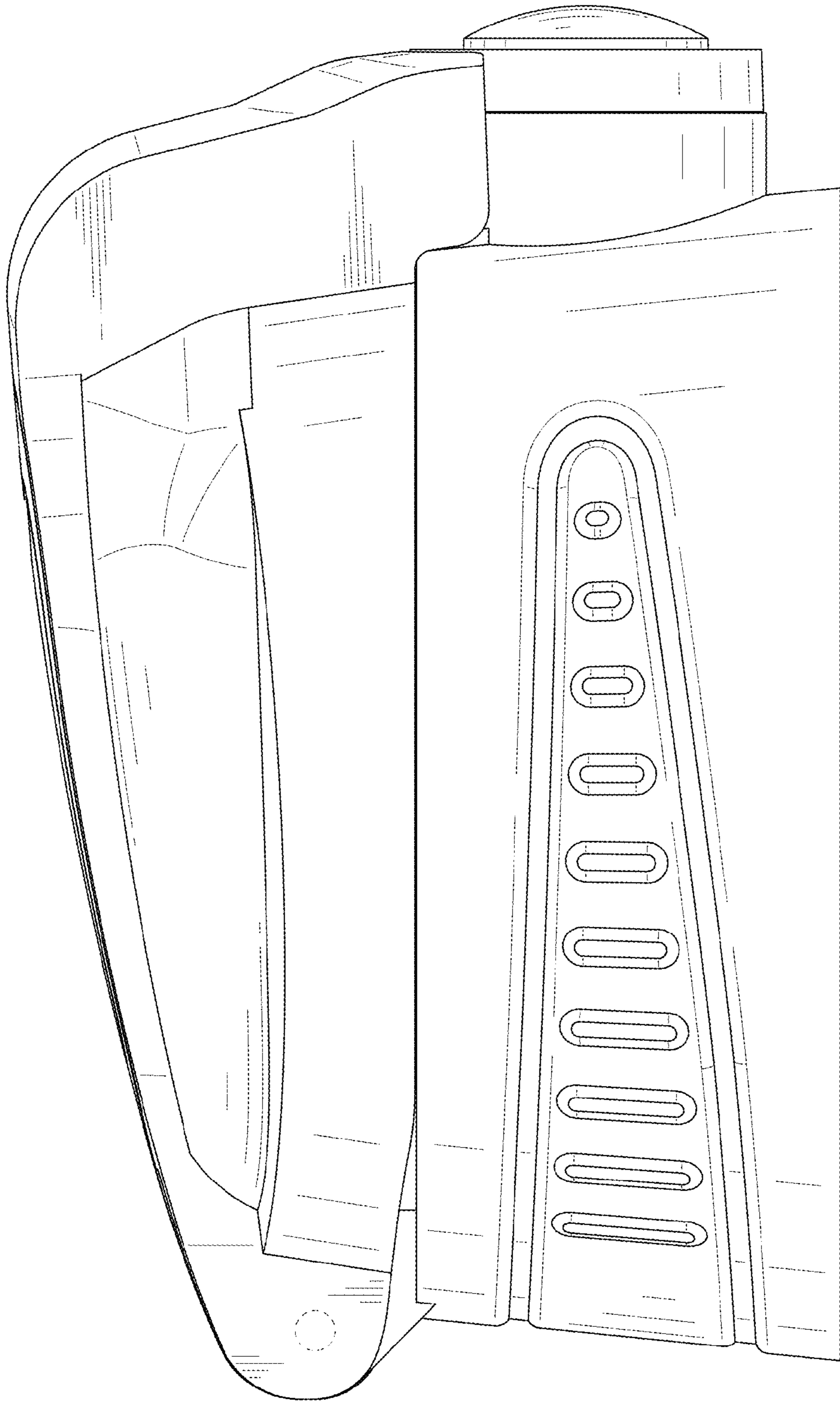


FIG. 5

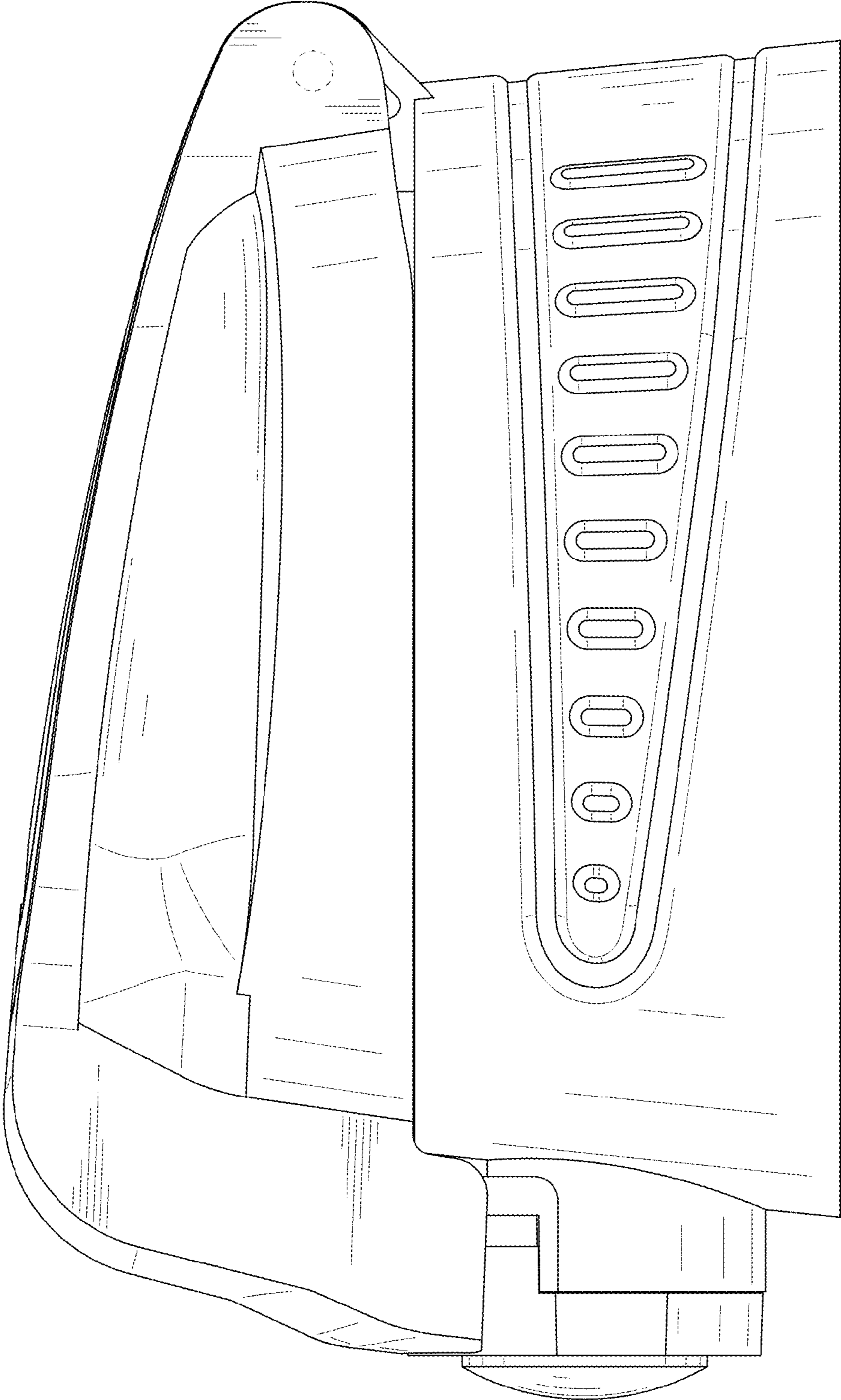


FIG. 6

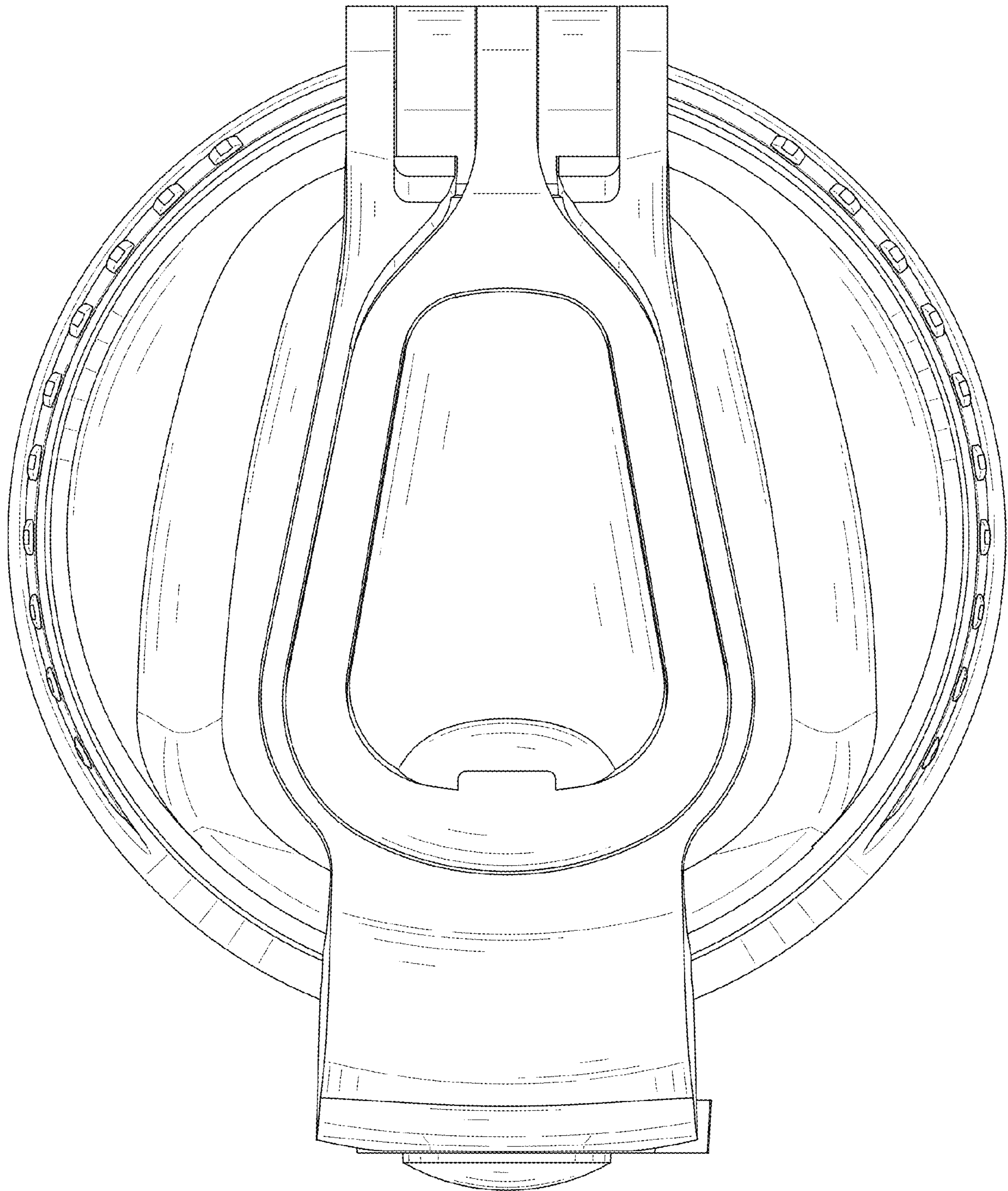


FIG. 7

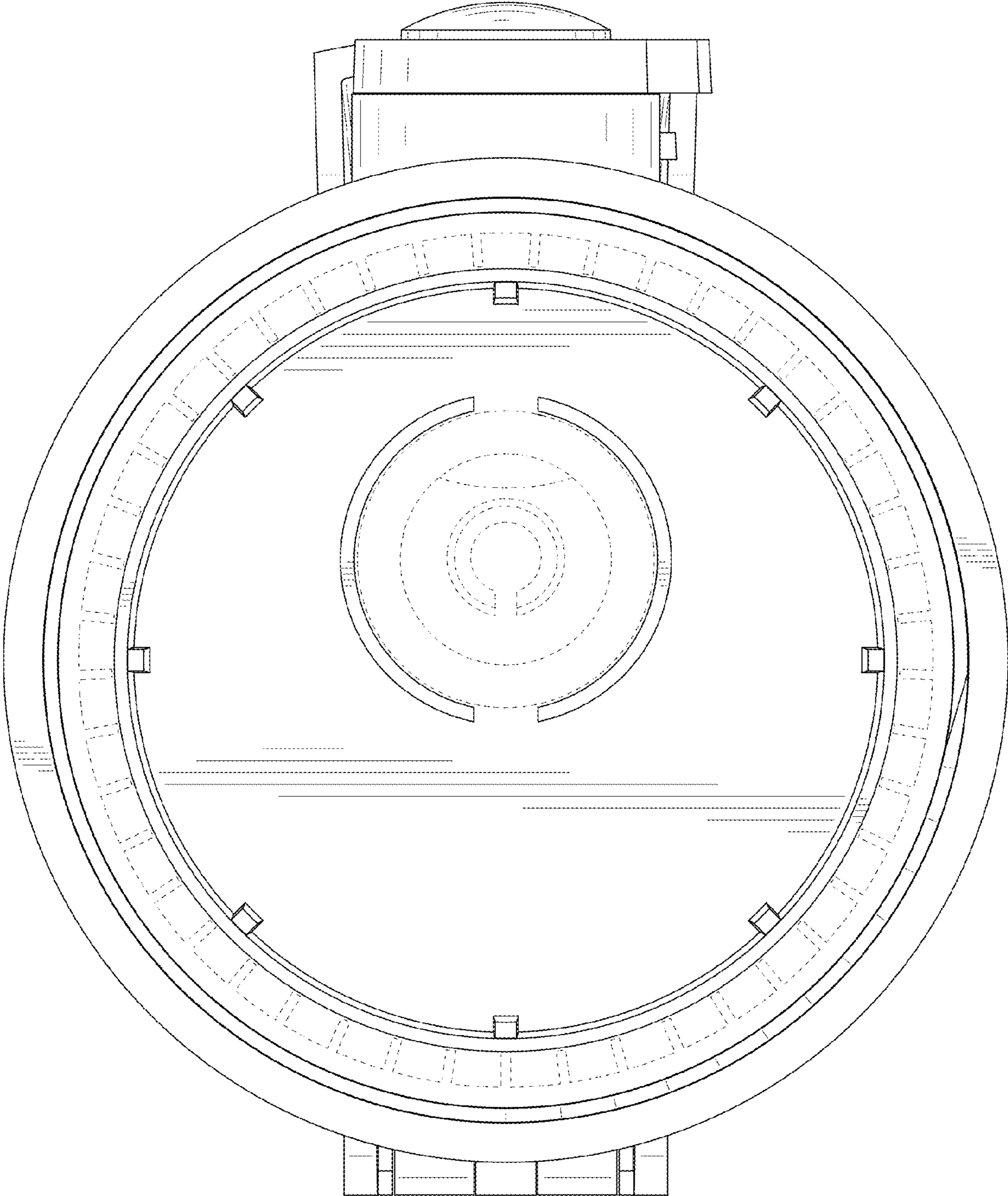


FIG. 8