



US00D957184S

(12) **United States Design Patent**
McCready et al.

(10) **Patent No.:** **US D957,184 S**
(45) **Date of Patent:** **** Jul. 12, 2022**

(54) **BEVERAGE CONTAINER CLOSURE**

- (71) Applicant: **CAMELBAK PRODUCTS, LLC**,
Petaluma, CA (US)
- (72) Inventors: **Aaron J. McCready**, Tahoe City, CA
(US); **Maria M. Bujalska**, San
Francisco, CA (US)
- (73) Assignee: **CAMELBAK PRODUCTS, LLC**,
Petaluma, CA (US)
- (**) Term: **15 Years**
- (21) Appl. No.: **29/785,137**
- (22) Filed: **May 24, 2021**

Related U.S. Application Data

- (63) Continuation of application No. 29/741,857, filed on
Jul. 16, 2020, now Pat. No. Des. 923,407, which is a
(Continued)
- (51) **LOC (13) Cl.** **07-99**
- (52) **U.S. Cl.**
USPC **D7/392.1; D9/447**
- (58) **Field of Classification Search**
USPC **D7/392, 392.1, 510, 629; D9/452, 453,
D9/454, 435, 447, 449**
(Continued)

(56) **References Cited**

U.S. PATENT DOCUMENTS

- D690,556 S * 10/2013 Boroski D7/510
 - D719,827 S * 12/2014 Duran D9/447
- (Continued)

FOREIGN PATENT DOCUMENTS

CA 184738 * 5/2020

OTHER PUBLICATIONS

YouTube-Reviews, Tutorials & Tech, Mar. 11, 2019, Review CamelBak Podium Chill 210z Water Bottle, [site visited Oct. 11, 2021], Available on the Internet URL https://www.youtube.com/watch?v=SuetDUdb_VM (Year: 2019).*

(Continued)

Primary Examiner — S. Bryan Reinholdt, Jr.

(74) *Attorney, Agent, or Firm* — Amardeep S. Grewal;
Gerard M. Donovan; Reed Smith LLP

(57) **CLAIM**

The ornamental design for a beverage container closure, as shown and described.

DESCRIPTION

FIG. 1 is a perspective view of a beverage container closure showing the design.

FIG. 2 is a side view of the beverage container closure of FIG. 1.

FIG. 3 is another side view of the beverage container closure of FIG. 1.

FIG. 4 is another side view of the beverage container closure of FIG. 1.

FIG. 5 is another side view of the beverage container closure of FIG. 1.

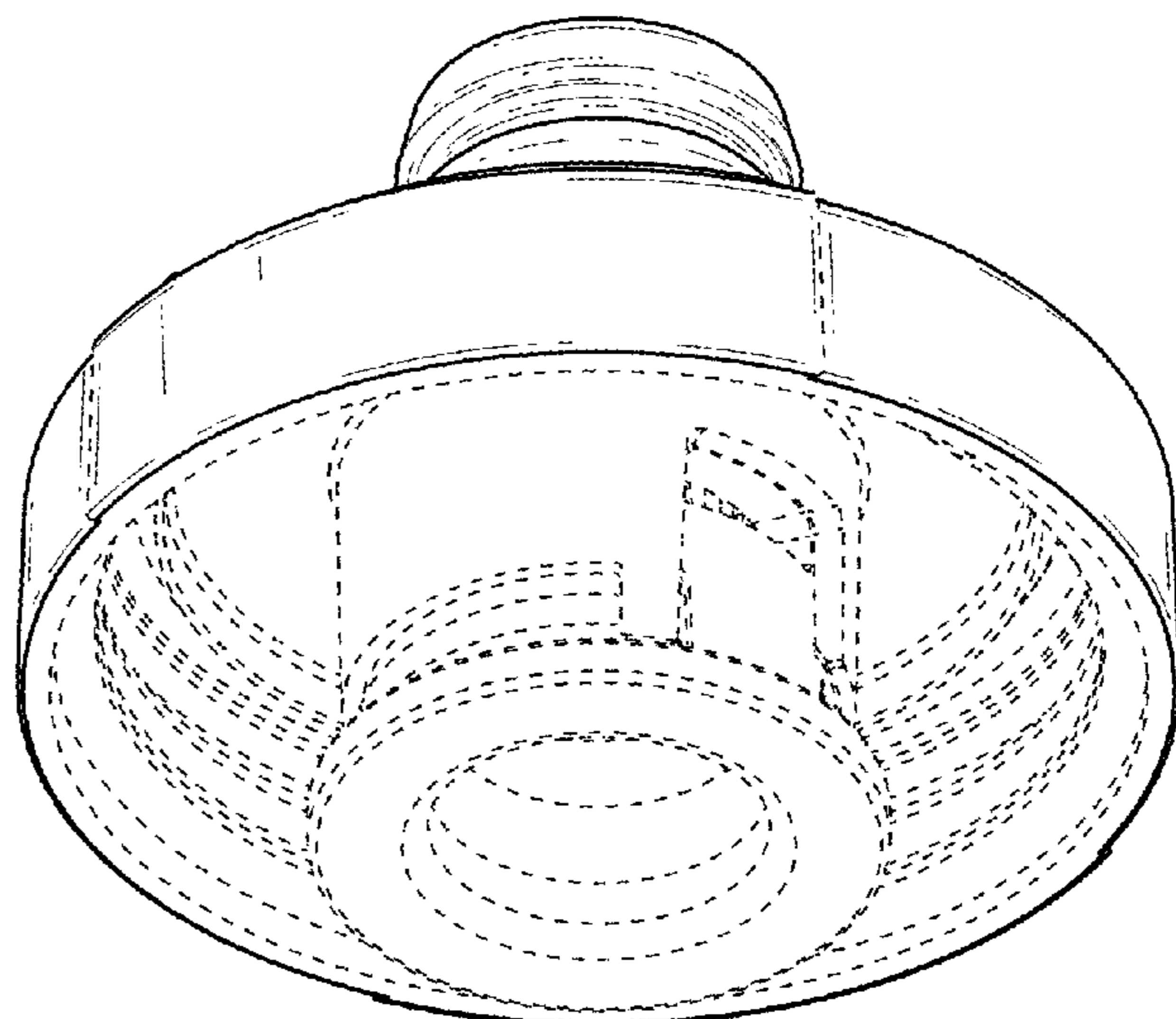
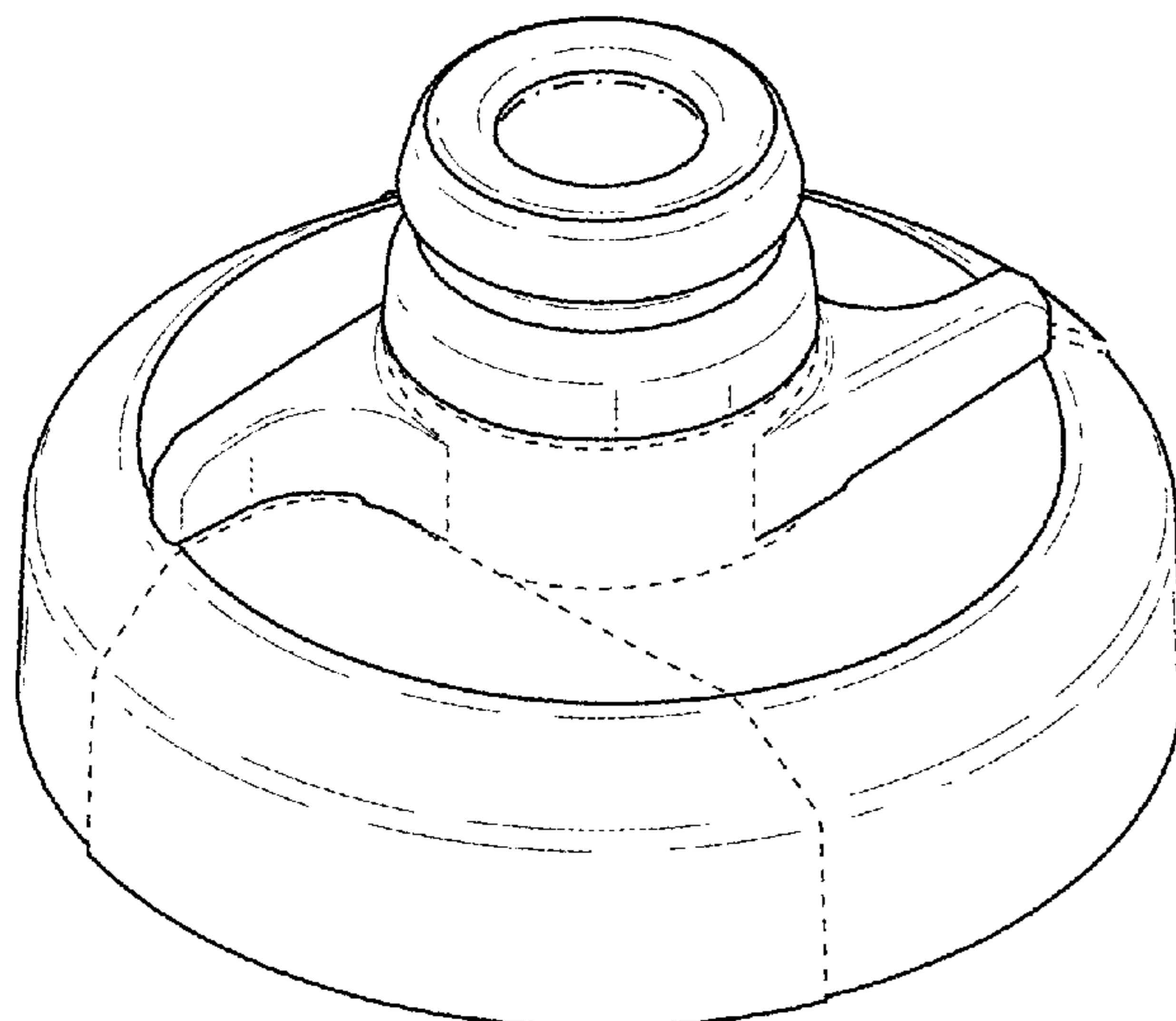
FIG. 6 is a top plan view of the beverage container closure of FIG. 1.

FIG. 7 is a bottom plan view of the beverage container closure of FIG. 1; and,

FIG. 8 is another perspective view of the beverage container closure of FIG. 1.

The dashed lines in the drawings illustrate portions of the beverage container closure that form no part of the claimed design. The shading lines shown in the drawings represent the approximate three dimensional contour of the claimed design and are not intended to indicate surface decoration. The dot-dash-dot boundary lines in FIGS. 1 and 6 depict the boundary of the claim and form no part thereof.

1 Claim, 5 Drawing Sheets



Related U.S. Application Data

continuation of application No. 29/722,288, filed on Jan. 28, 2020, now Pat. No. Des. 893,259, which is a continuation of application No. 29/704,329, filed on Sep. 4, 2019, now Pat. No. Des. 876,895, which is a continuation of application No. 29/649,627, filed on May 31, 2018, now Pat. No. Des. 864,658.

(58) **Field of Classification Search**

CPC A47G 21/18; A61J 7/0038;
B65D 2517/0049

See application file for complete search history.

(56) **References Cited**

U.S. PATENT DOCUMENTS

D723,918 S *	3/2015	Karl, IV	D9/451
D752,434 S *	3/2016	Willows	D9/447
D752,435 S *	3/2016	Willows	D9/447
D752,976 S *	4/2016	Koffel	D9/447
D761,648 S *	7/2016	Karl, IV	D9/447
D771,490 S *	11/2016	Junkel	D9/447
D784,084 S *	4/2017	Bartlett	D7/511
D793,165 S *	8/2017	Rummel	D7/510

D793,810 S *	8/2017	Frazier	D7/523
D795,647 S *	8/2017	Heiberger	D7/511
D808,219 S *	1/2018	Heiberger	D7/510
D834,368 S *	11/2018	Oas	D7/392.1
D864,658 S *	10/2019	McCready	D7/392.1
D876,895 S *	3/2020	McCready	D7/510
D881,639 S *	4/2020	Backs	D7/392.1
D895,737 S *	9/2020	Russell	D21/573
D903,408 S *	12/2020	Massucco	D7/392.1
D907,955 S *	1/2021	Massucco	D7/392.1
D920,789 S *	6/2021	Evans	D9/447
D923,407 S *	6/2021	McCready	D7/510
2012/0168441 A1 *	7/2012	Lane	B65D 47/242 220/212
2016/0200486 A1 *	7/2016	Meyers	B65D 47/247 215/229
2016/0316896 A1 *	11/2016	Breit	A01K 7/00

OTHER PUBLICATIONS

Nashbar website, Camelbak Podium Water Bottle, Publication date unknown, [site visited Oct. 11, 2021], Available on the Internet URL www.nashbar.com/camelbak-podium-water-bottle-black-240z-1875001071/p872858 (Year: 2021).*

* cited by examiner

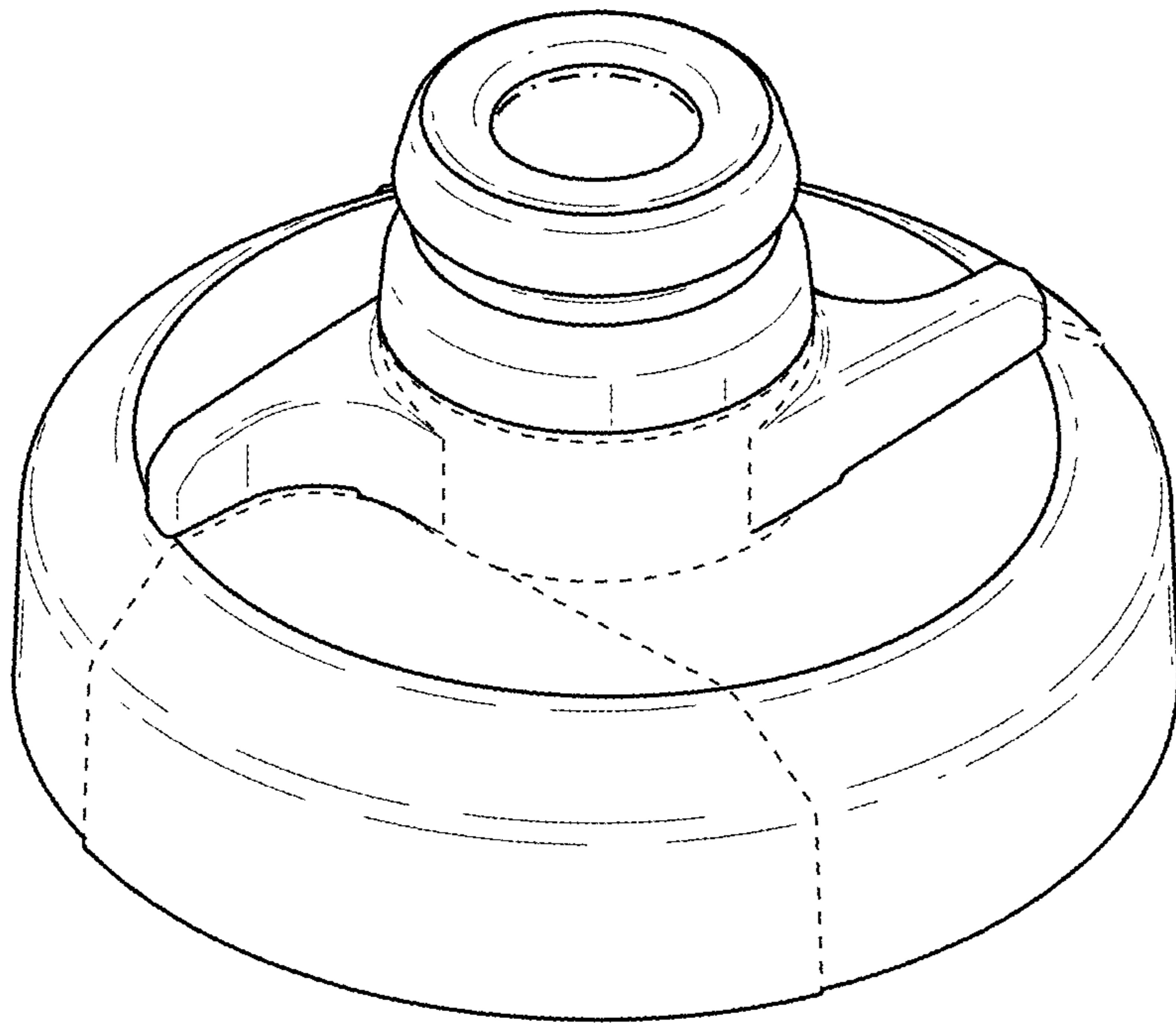


FIG. 1

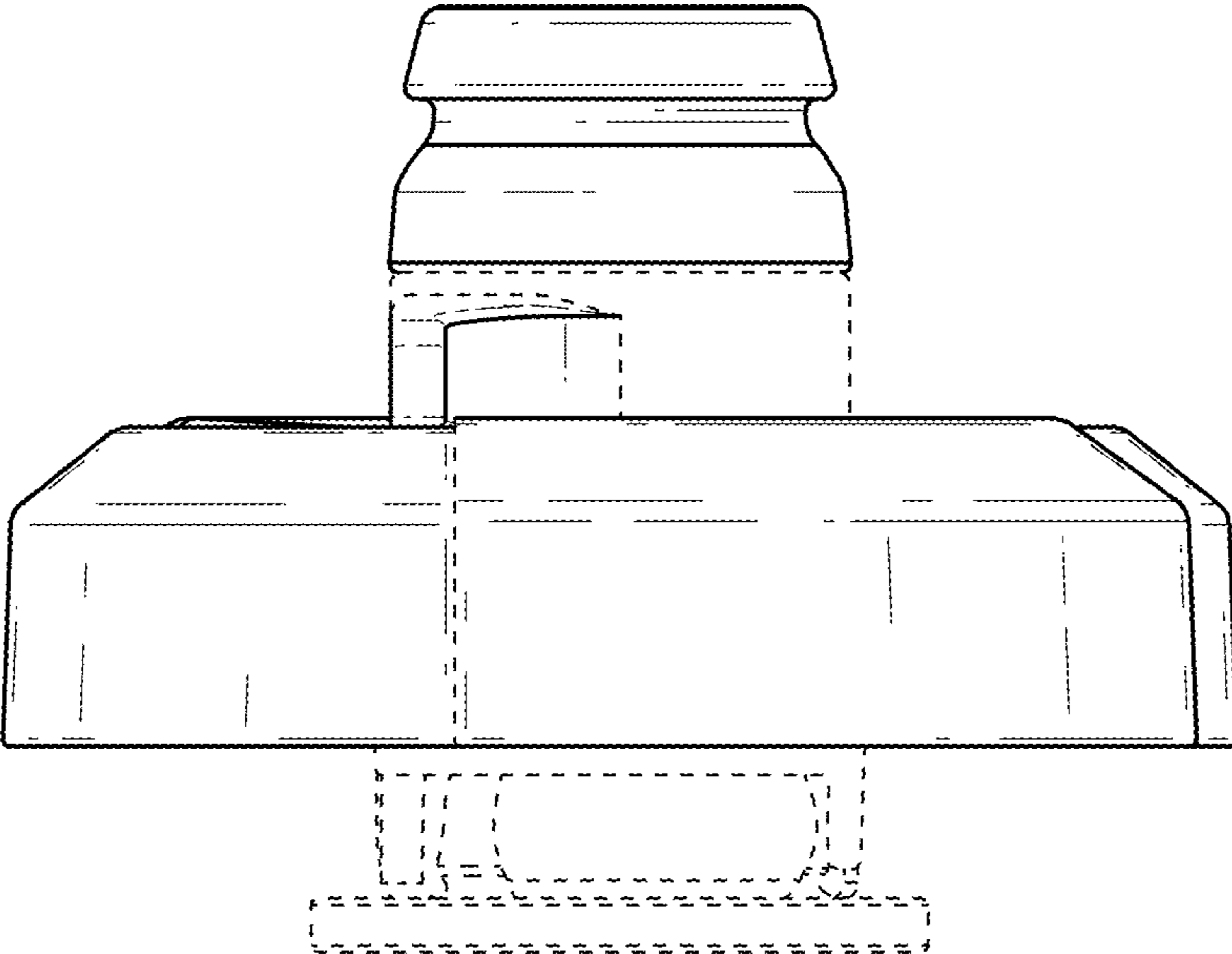


FIG. 2

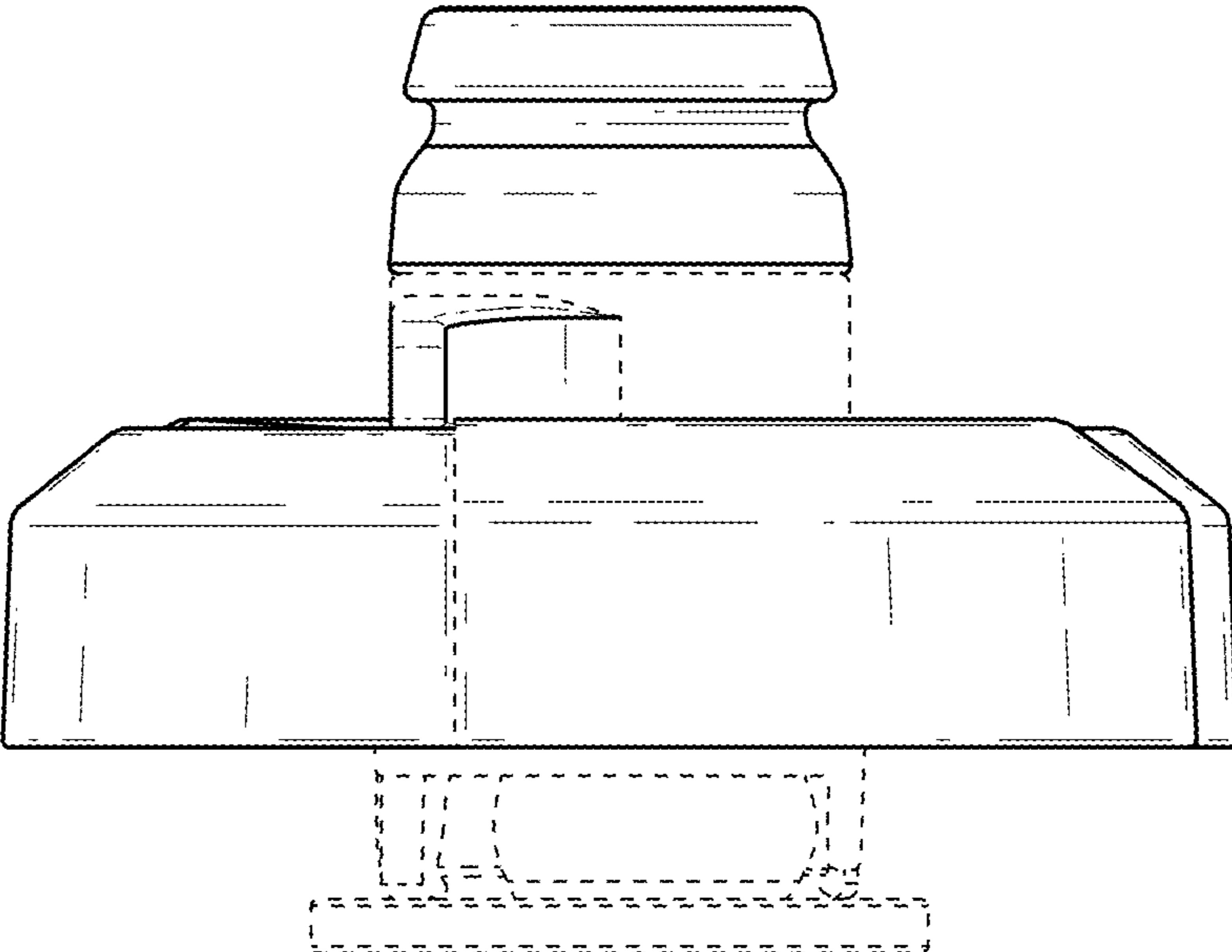


FIG. 3

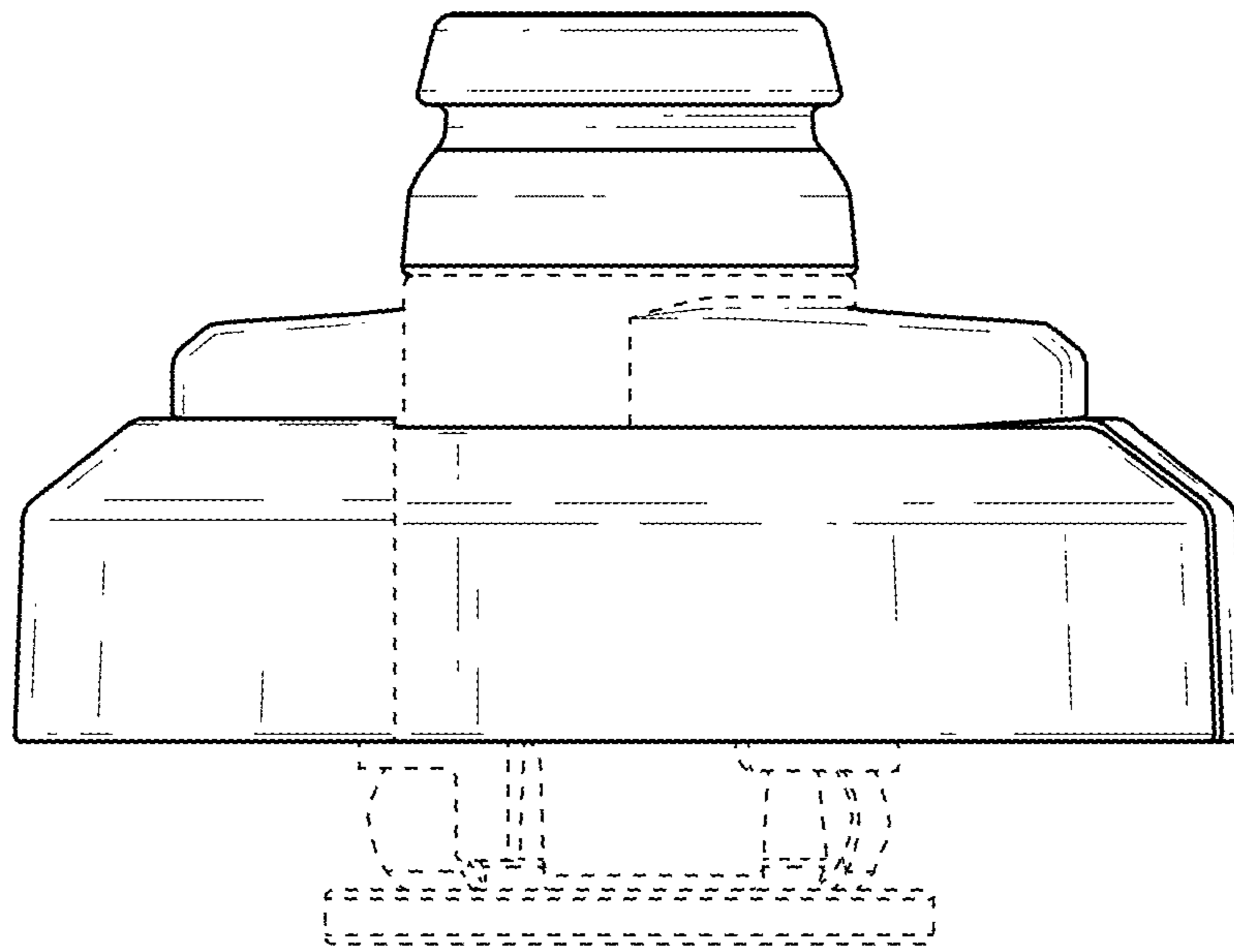


FIG. 4

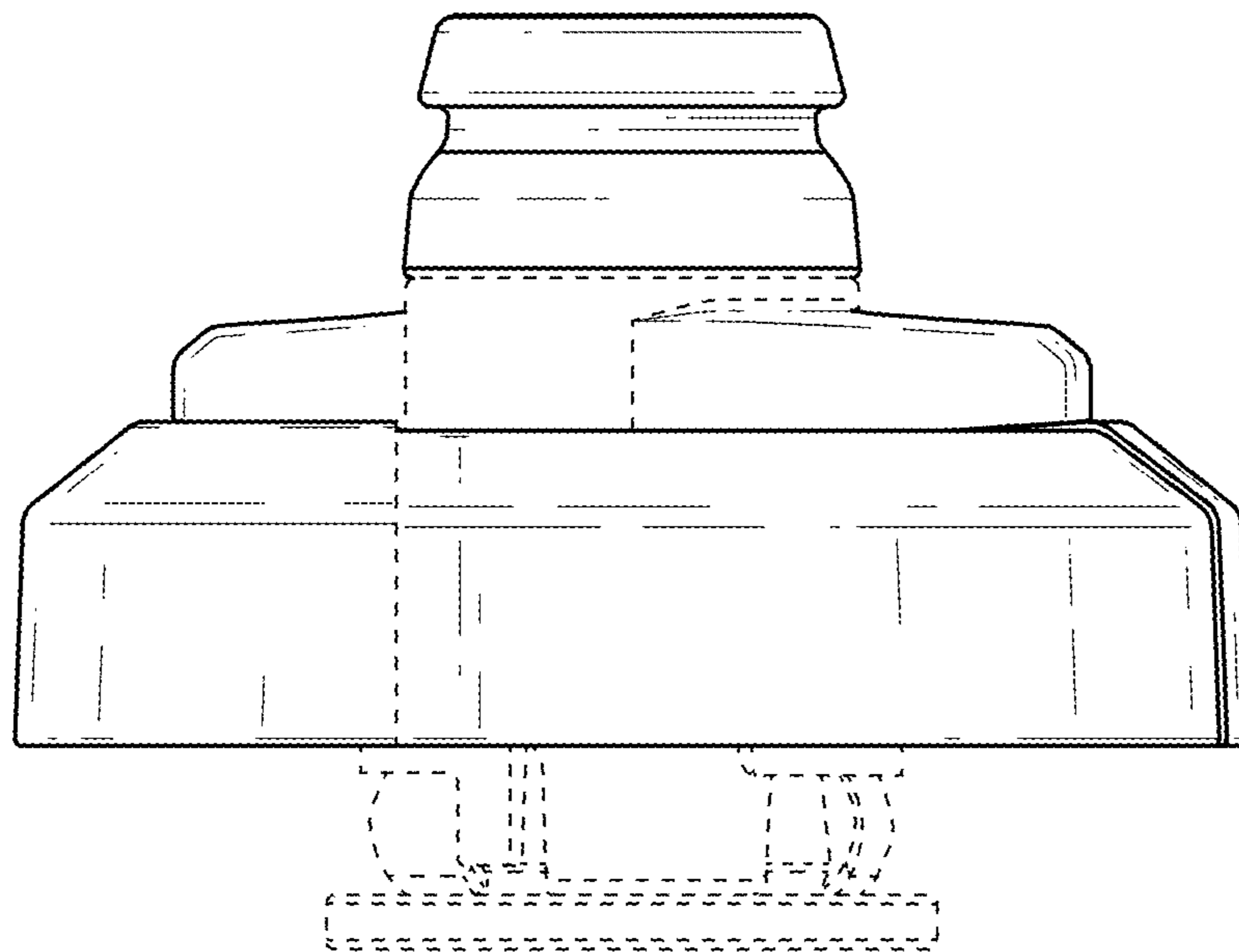


FIG. 5

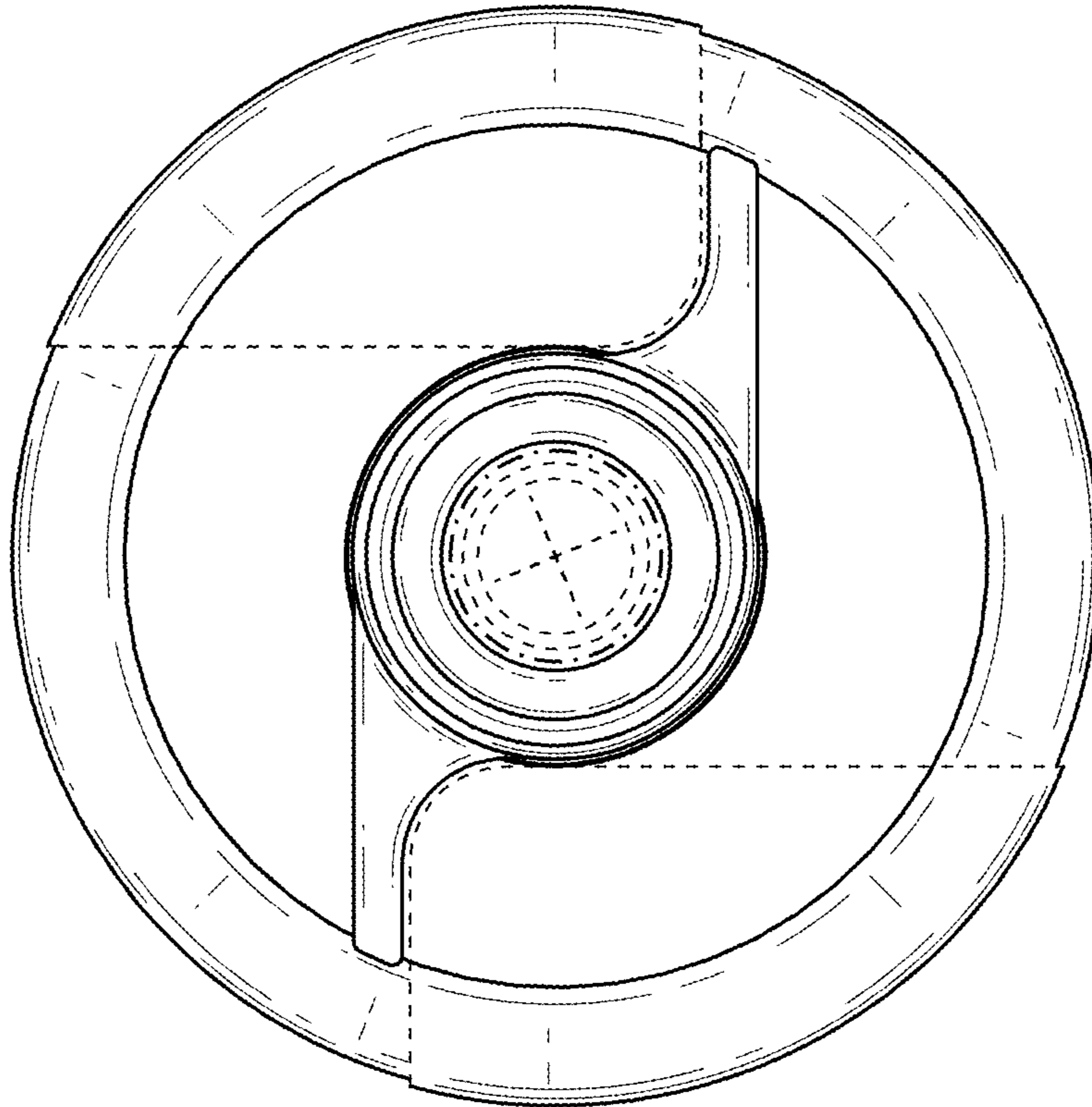


FIG. 6

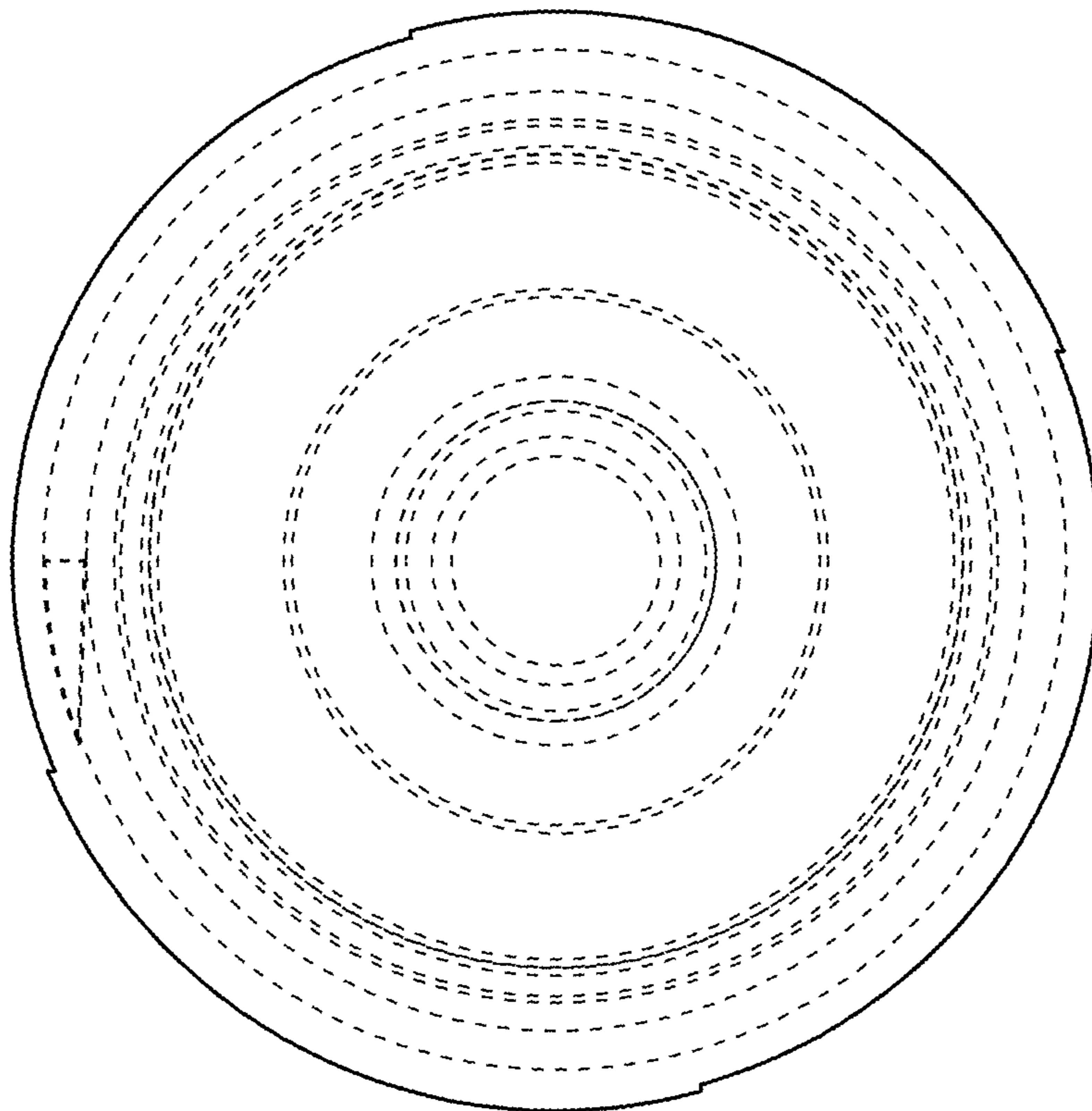


FIG. 7

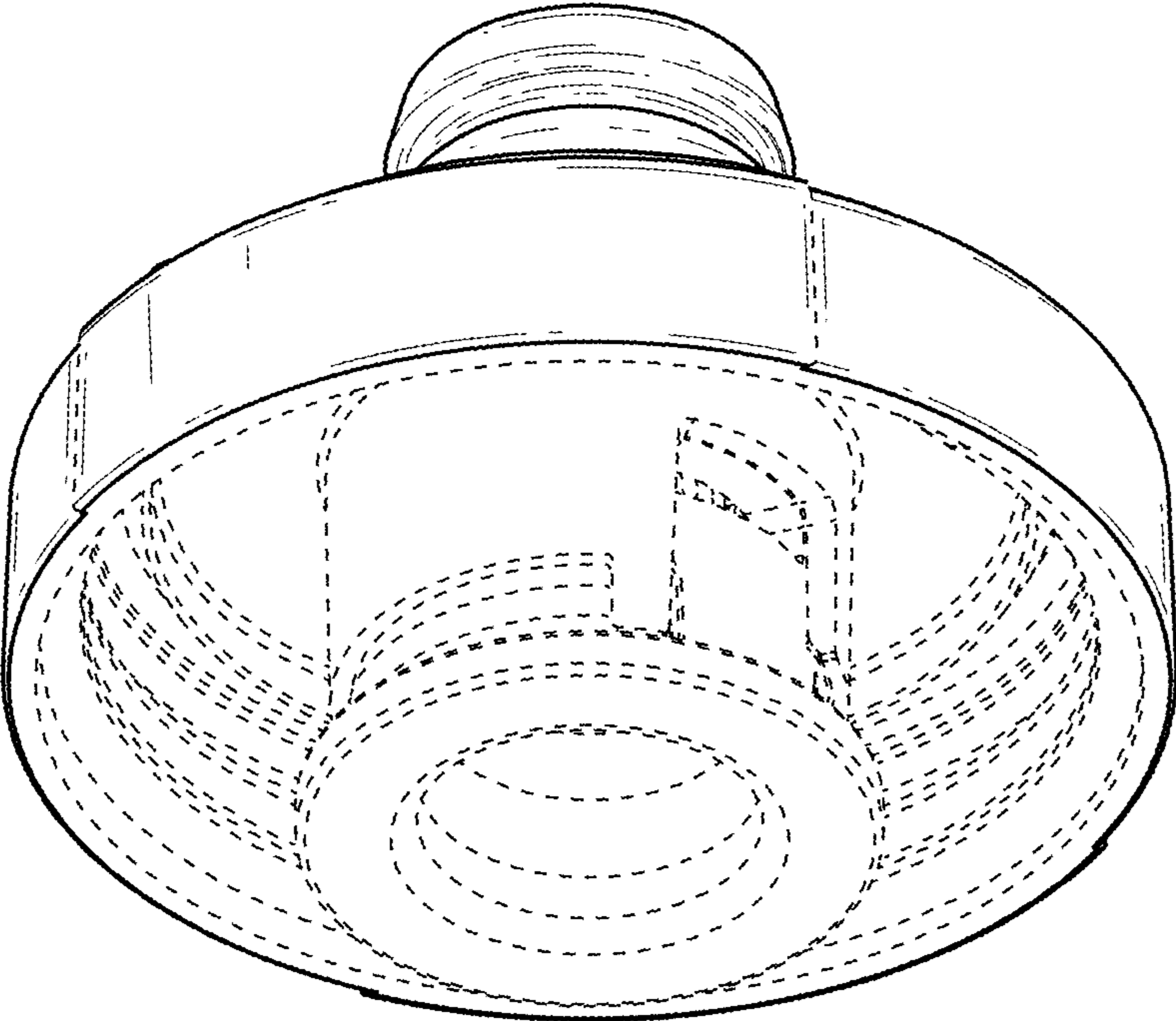


FIG. 8