



US00D957183S

(12) **United States Design Patent**  
**Pearce et al.**

(10) **Patent No.:** **US D957,183 S**  
(45) **Date of Patent:** **\*\* Jul. 12, 2022**

(54) **LID WITH A FILTER**

(71) Applicants: **Brooks Allan Pearce**, Cypress Mill, TX (US); **Christopher Ray Ezell**, Paradise, TX (US)

(72) Inventors: **Brooks Allan Pearce**, Cypress Mill, TX (US); **Christopher Ray Ezell**, Paradise, TX (US)

(\*\*) Term: **15 Years**

(21) Appl. No.: **29/749,812**

(22) Filed: **Sep. 9, 2020**

(51) **LOC (13) Cl.** ..... **07-02**

(52) **U.S. Cl.**  
USPC ..... **D7/392.1**; D9/436

(58) **Field of Classification Search**  
USPC ..... D7/550.1, 554.2, 387, 391, 392, 392.1, D7/396.1, 396.2, 397, 398, 558, 624.1, D7/667, 388, 403, 407, 408, 409; D9/723, 724, 434, 435, 436, 438, 443, D9/445, 447, 448, 449, 450, 452, 453, D9/454; D23/206, 209, 259, 260, 261, D23/397; D21/680, 681

CPC ..... B65D 43/0208; B65D 2231/022; B65D 2543/00027; B65D 2543/00092; B65D 2543/000296; B65D 2543/00342; B65D 2543/00509; B65D 2543/00518; B65D 2543/00537; B65D 2543/00731; B65D 2543/00814; B65D 41/34; B65D 41/3428; B65D 1/20; B65D 2251/0018; B65D 2251/0071; B65D 2251/02; B29C 51/22; B29C 51/268; B29C 51/44; B29C 45/0001; B29C 45/0081; A47G 19/2272

See application file for complete search history.

(56) **References Cited**

U.S. PATENT DOCUMENTS

D5,144 S \* 7/1871 Talbots ..... D7/408  
D157,480 S \* 2/1950 Foss ..... D7/388

D184,116 S \* 12/1958 Witt ..... D9/454  
D265,790 S \* 8/1982 Taylor ..... D7/388  
D276,839 S \* 12/1984 McCoy ..... D23/261  
D284,543 S \* 7/1986 Huls ..... D7/388  
D286,129 S \* 10/1986 Bowen ..... D7/402  
D623,014 S \* 9/2010 Alden ..... D7/409  
D628,269 S \* 11/2010 Dittmann ..... D23/209  
D716,609 S \* 11/2014 Greer ..... D7/409  
D764,868 S \* 8/2016 Krolick ..... D7/409  
D807,746 S \* 1/2018 Fleming ..... D9/454  
D831,796 S \* 10/2018 Powers ..... D23/261  
D839,396 S \* 1/2019 Whitehead ..... D23/260  
D845,064 S \* 4/2019 Mulhauser ..... D7/392.1  
D871,139 S \* 12/2019 Peterson ..... D7/409  
D871,559 S \* 12/2019 Greskovich ..... D23/261  
D900,541 S \* 11/2020 Inyang ..... D7/396.2  
D915,550 S \* 4/2021 Gwen ..... D23/209  
D917,224 S \* 4/2021 Kubota ..... D7/392.1

(Continued)

*Primary Examiner* — Catherine S Posthauer

(74) *Attorney, Agent, or Firm* — Winstead PC

(57) **CLAIM**

We claim the ornamental design for a lid with a filter, as shown and described.

**DESCRIPTION**

FIG. 1 is a top perspective view of a lid with a filter showing our new design;

FIG. 2 is another top perspective view thereof;

FIG. 3 is a bottom perspective view thereof;

FIG. 4 is another bottom perspective view thereof;

FIG. 5 is a top view thereof;

FIG. 6 is a bottom view thereof;

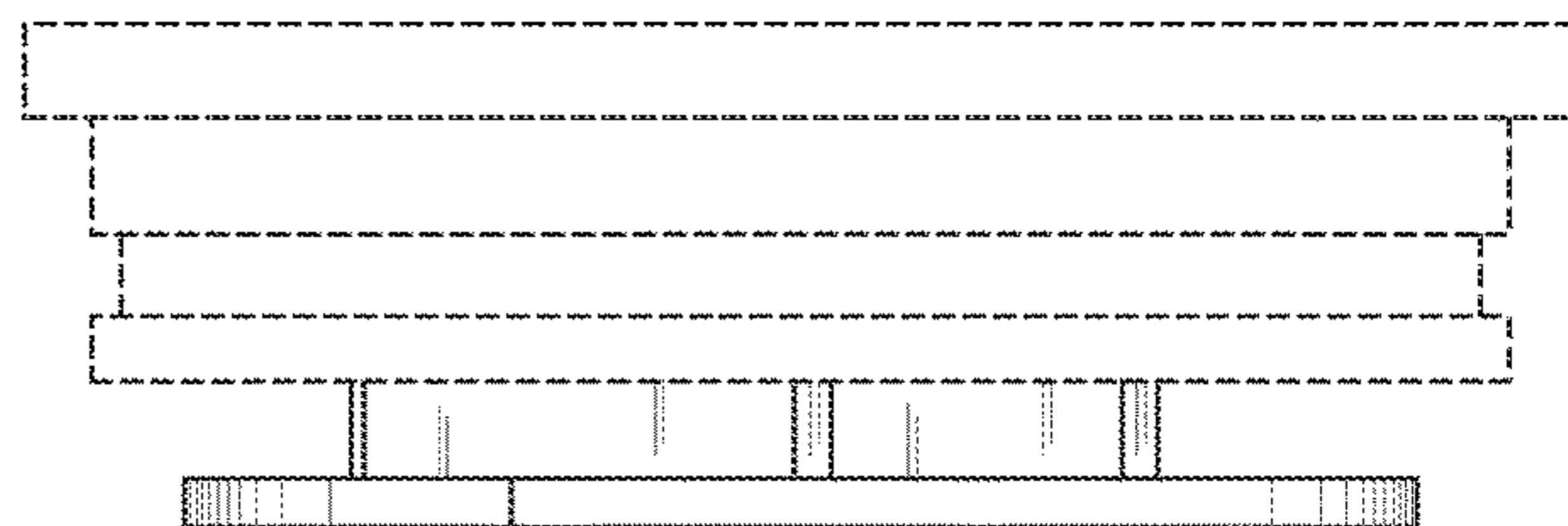
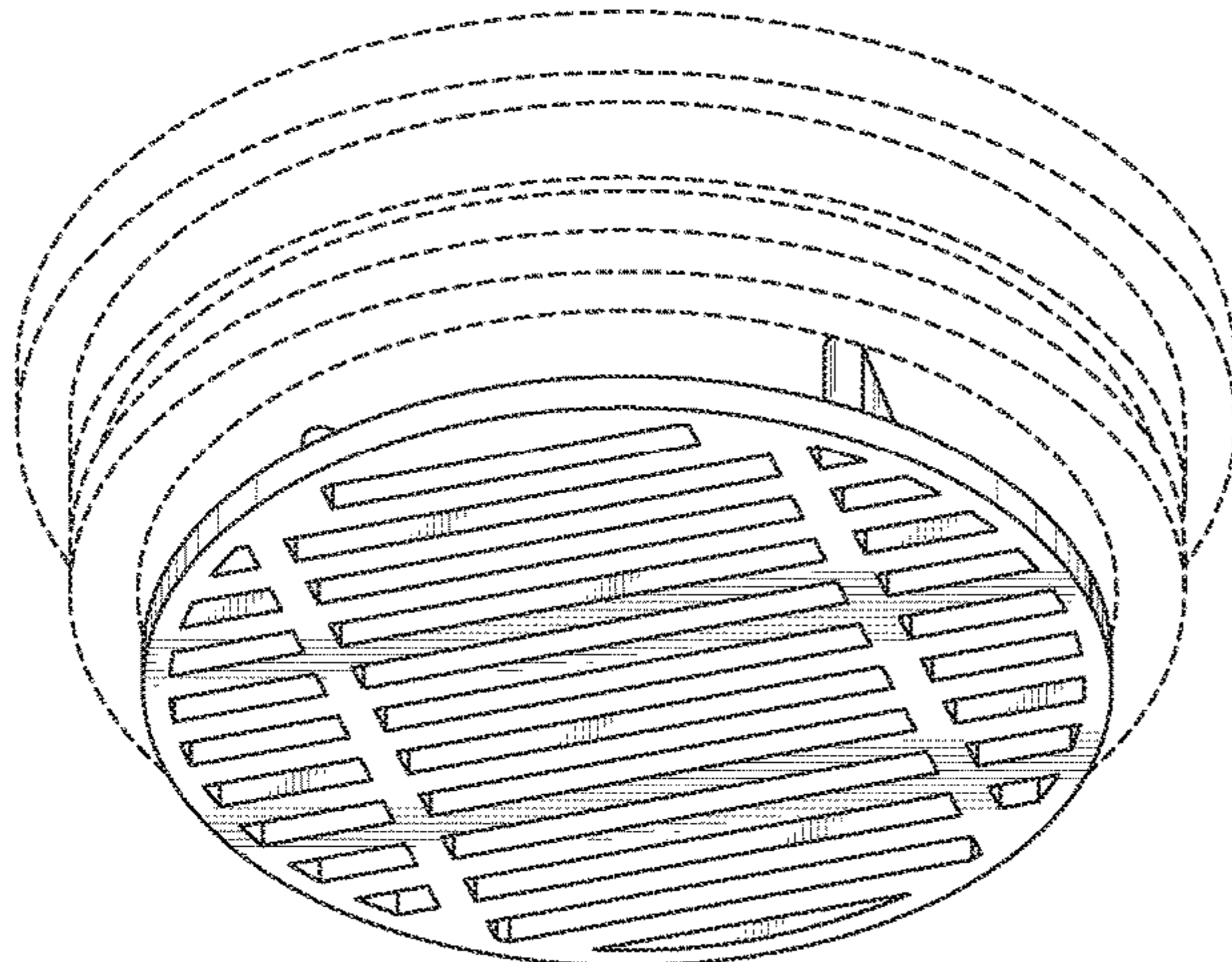
FIG. 7 is a front view thereof;

FIG. 8 is a back view thereof; and,

FIG. 9 is a left view thereof.

The broken lines are shown for the purpose of illustrating parts of the article that form no part of the claimed design.

**1 Claim, 8 Drawing Sheets**



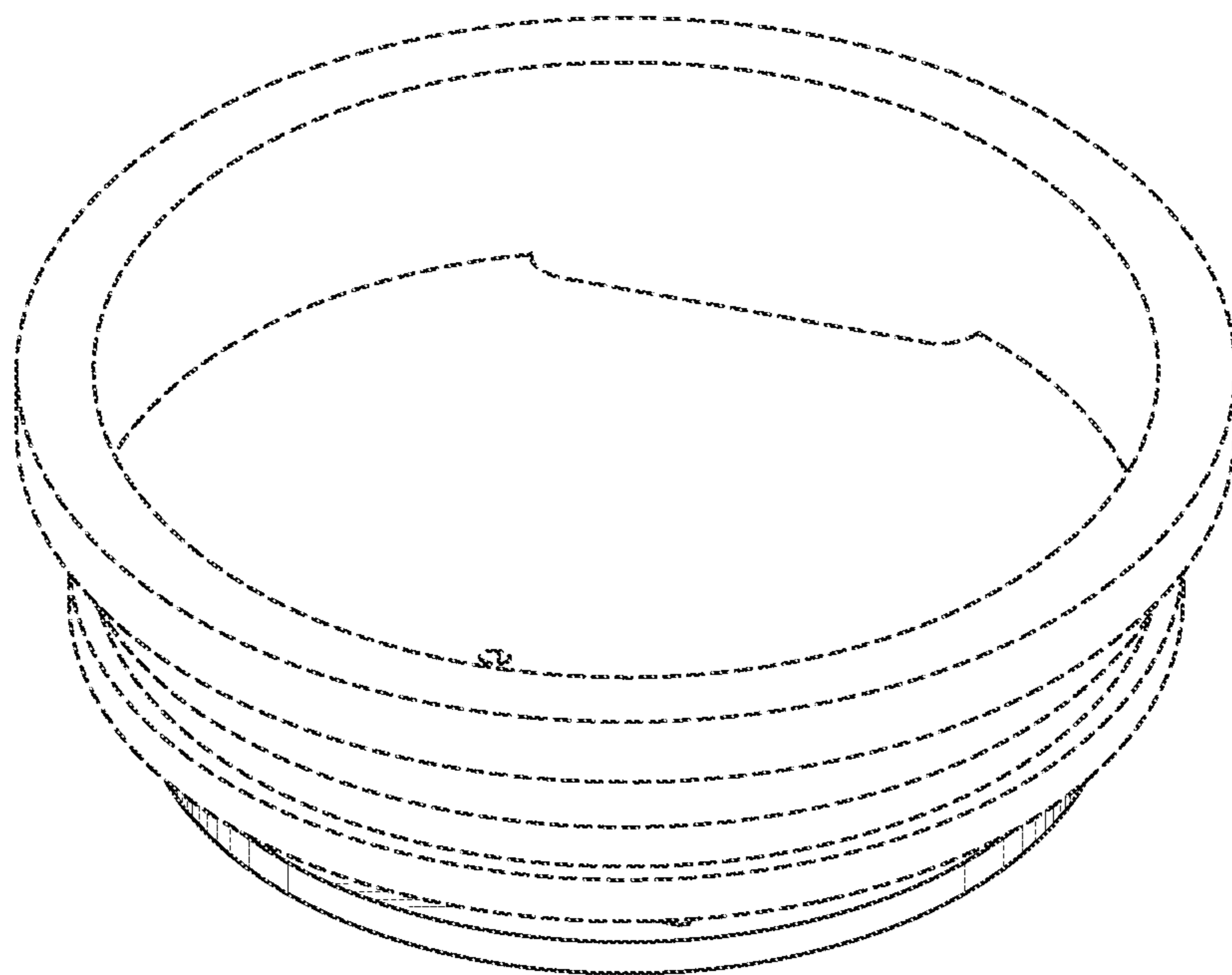
(56)

**References Cited**

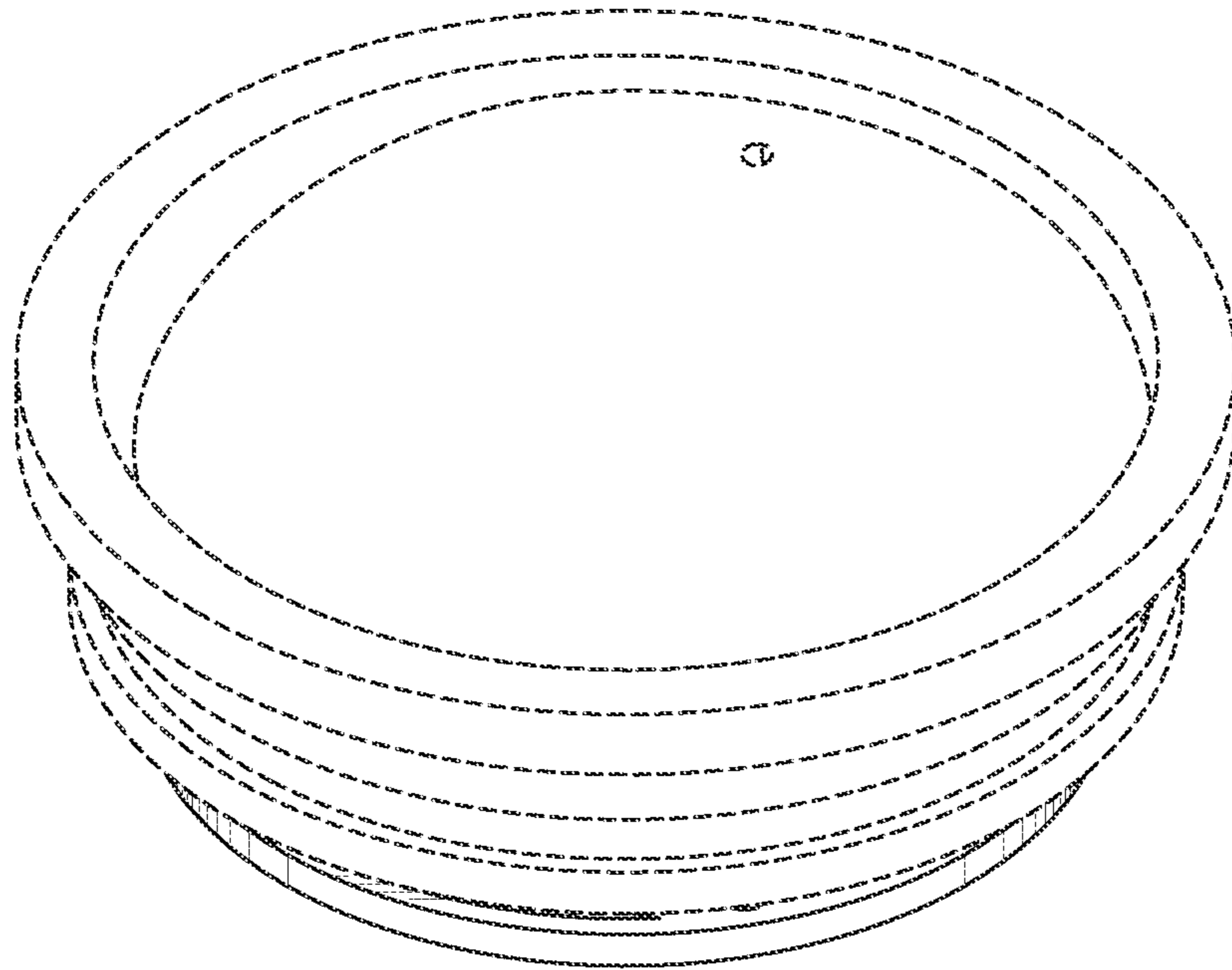
U.S. PATENT DOCUMENTS

D928,912 S \* 8/2021 Erfan ..... D23/209  
2018/0206660 A1 \* 7/2018 Heiman ..... A47G 19/2272

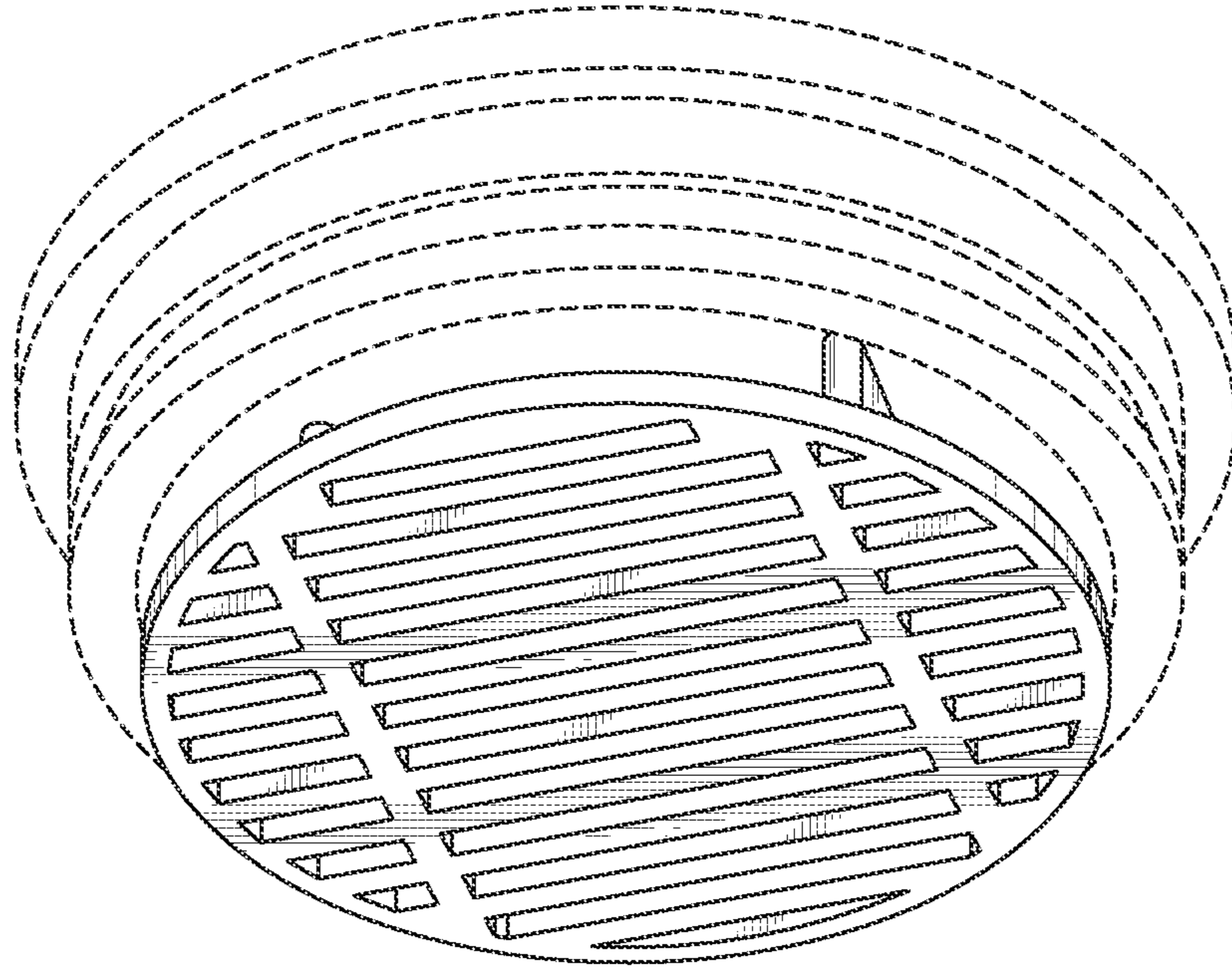
\* cited by examiner



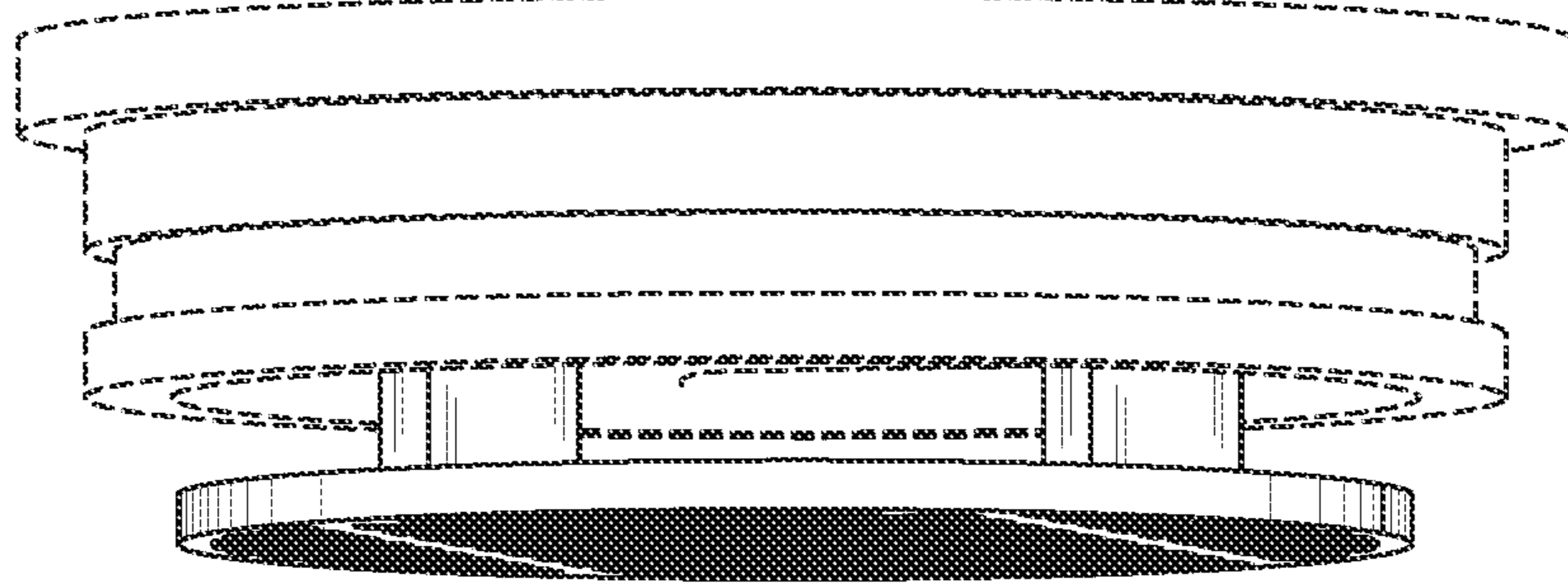
**FIG. 1**



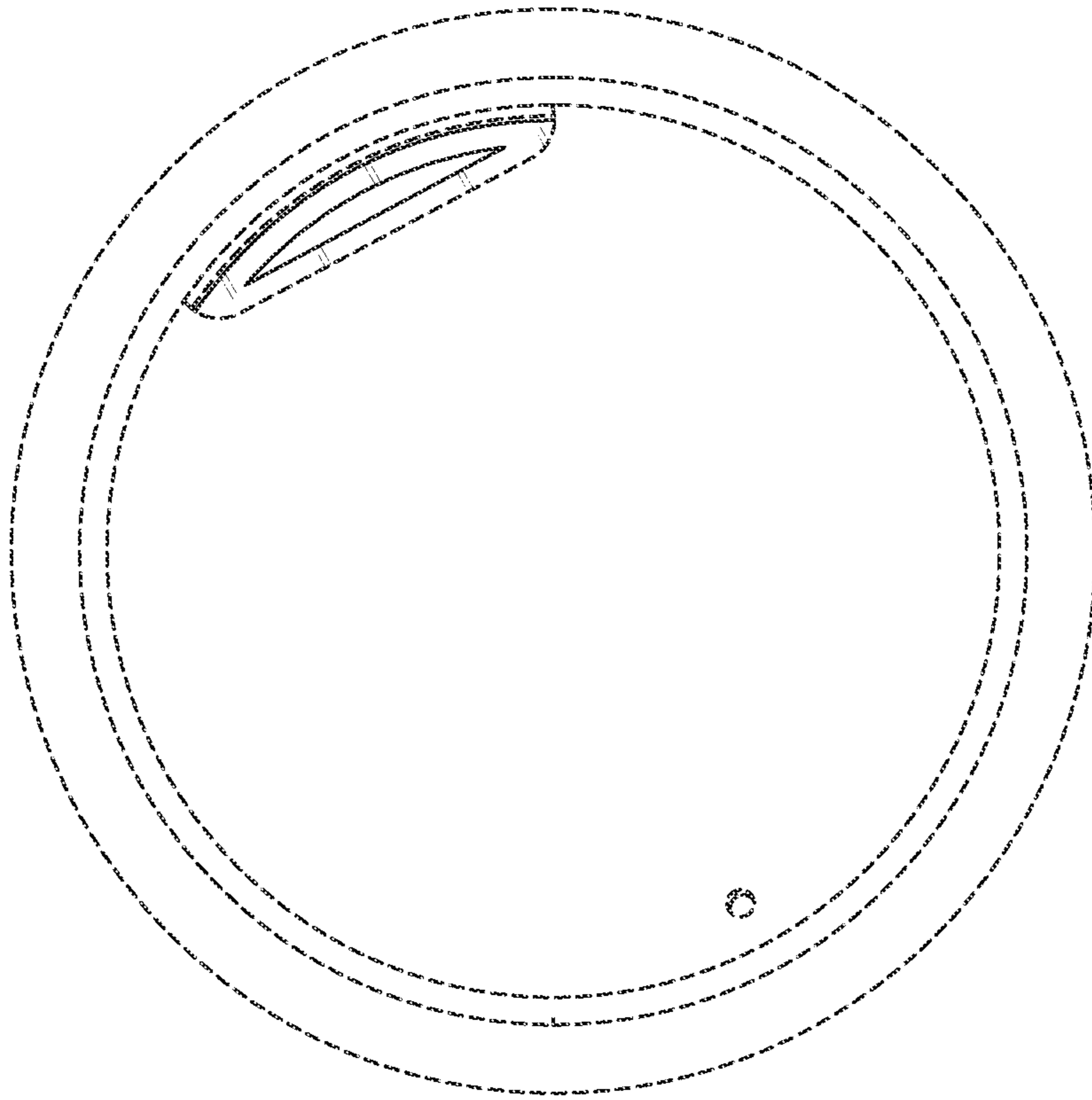
**FIG. 2**



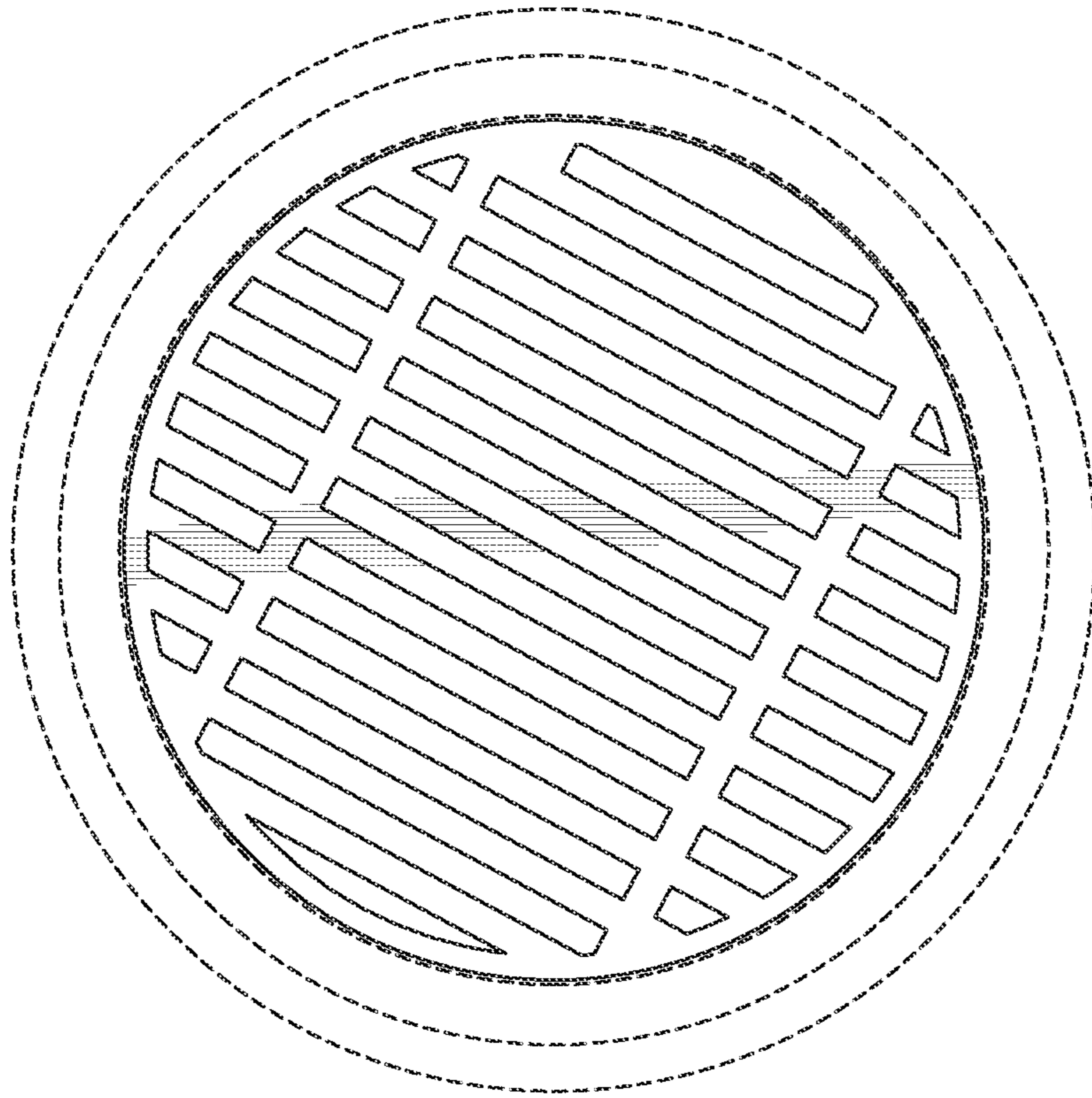
**FIG. 3**



**FIG. 4**

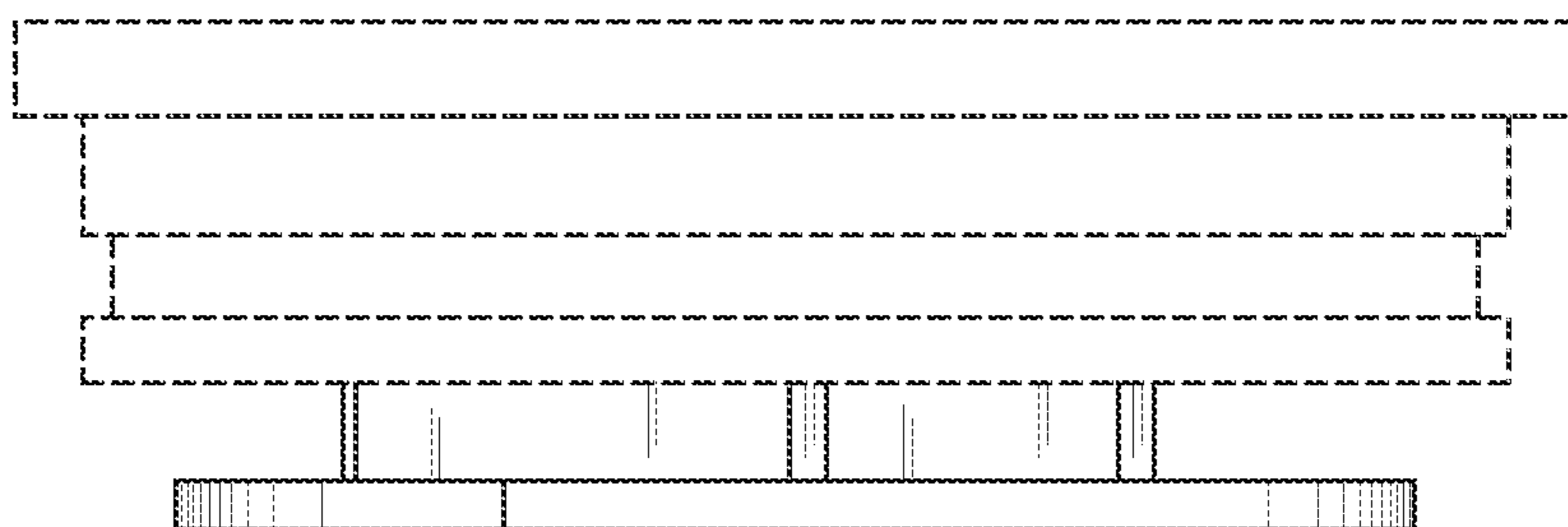


**FIG. 5**

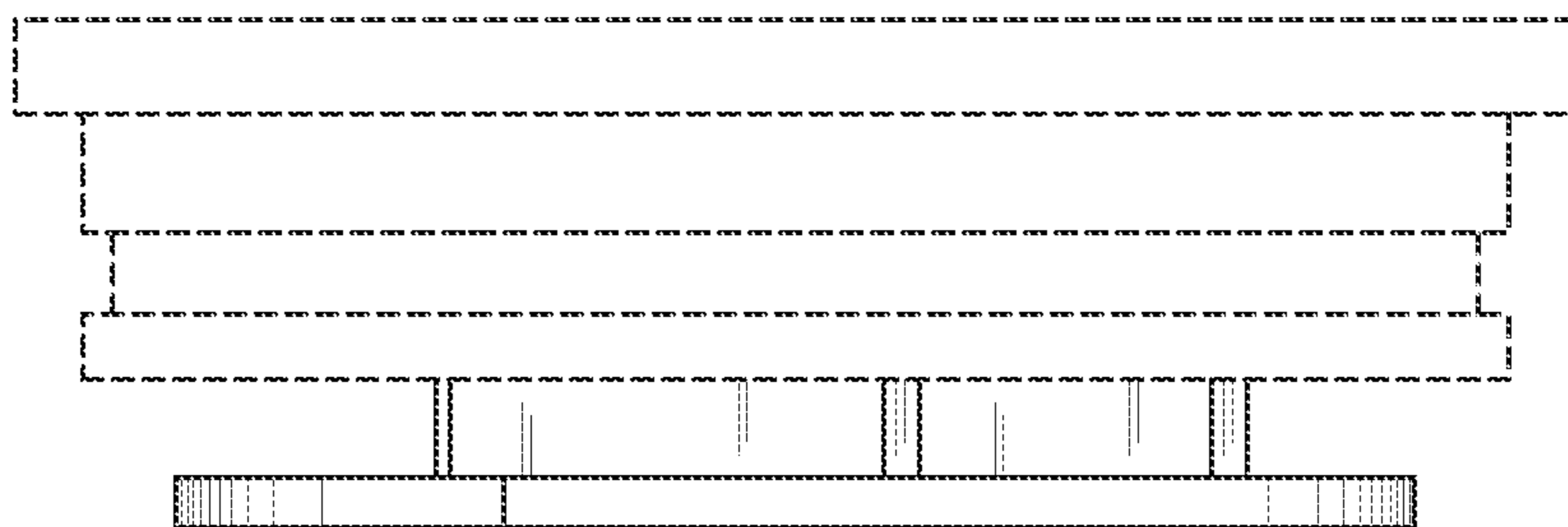


**FIG. 6**

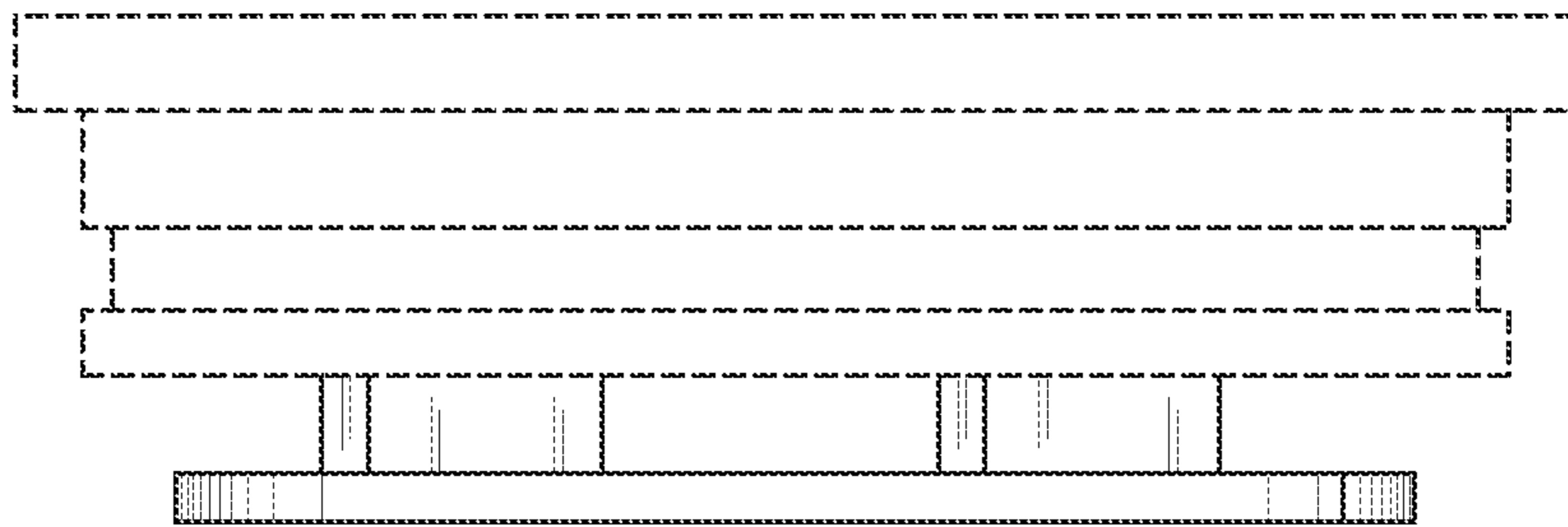




**FIG. 7**



**FIG. 8**



**FIG. 9**