



US00D957181S

(12) **United States Design Patent**
Jeon

(10) **Patent No.:** **US D957,181 S**
(45) **Date of Patent:** **** Jul. 12, 2022**

(54) **LID OF SEALED CONTAINER FOOD STORAGE**

(71) Applicant: **LOCK & LOCK CO., LTD,**
Chungcheongnam-do (KR)

(72) Inventor: **Beomsik Jeon,** Seoul (KR)

(73) Assignee: **LOCK & LOCK CO., LTD.,**
Chungcheongnam-Do (KR)

(**) Term: **15 Years**

(21) Appl. No.: **29/723,142**

(22) Filed: **Feb. 4, 2020**

(30) **Foreign Application Priority Data**

Feb. 3, 2020 (KR) 30-2020-0004505

(51) **LOC (13) Cl.** **07-02**

(52) **U.S. Cl.**
USPC **D7/391**

(58) **Field of Classification Search**

USPC D3/302, 323; D7/391, 392, 392.1, 393,
D7/397, 601-602, 629-630, 538-542;
D9/414, 424-432, 435, 451-452
CPC A47J 36/027; A47J 36/06; A47J 37/10;
A47J 37/101; B65D 21/0209; B65D
43/00; B65D 43/02; B65D 43/0206;
B65D 43/022; B65D 43/161; B65D
43/162; B65D 45/00; B65D 45/16; B65D
45/18; B65D 51/16; B65D 51/1683;
B65D 51/1688; B65D 51/1694; B65D
2251/00; B65F 1/1615

See application file for complete search history.

(56) **References Cited**

U.S. PATENT DOCUMENTS

D452,374 S * 12/2001 Kim D3/302
D500,227 S * 12/2004 Seok D7/392.1
D514,811 S * 2/2006 Koo D3/323

D562,083 S * 2/2008 Lown D7/629
D610,878 S * 3/2010 Kim D7/629
D610,879 S * 3/2010 Kim D7/629
D651,479 S * 1/2012 Nie D7/629
D660,092 S * 5/2012 Kyung D7/629
D660,095 S * 5/2012 Kyung D7/629
D675,057 S * 1/2013 Harvey D7/391
D677,116 S * 3/2013 Smyers D7/391

(Continued)

OTHER PUBLICATIONS

Rasab Store Containers and Lids. Date First Available on Amazon.com Oct. 1, 2019. <https://www.amazon.com/dp/B081PB1CR/ref> (Year: 2019).*

Primary Examiner — Ricky Pham

(74) *Attorney, Agent, or Firm* — Duane Morris LLP

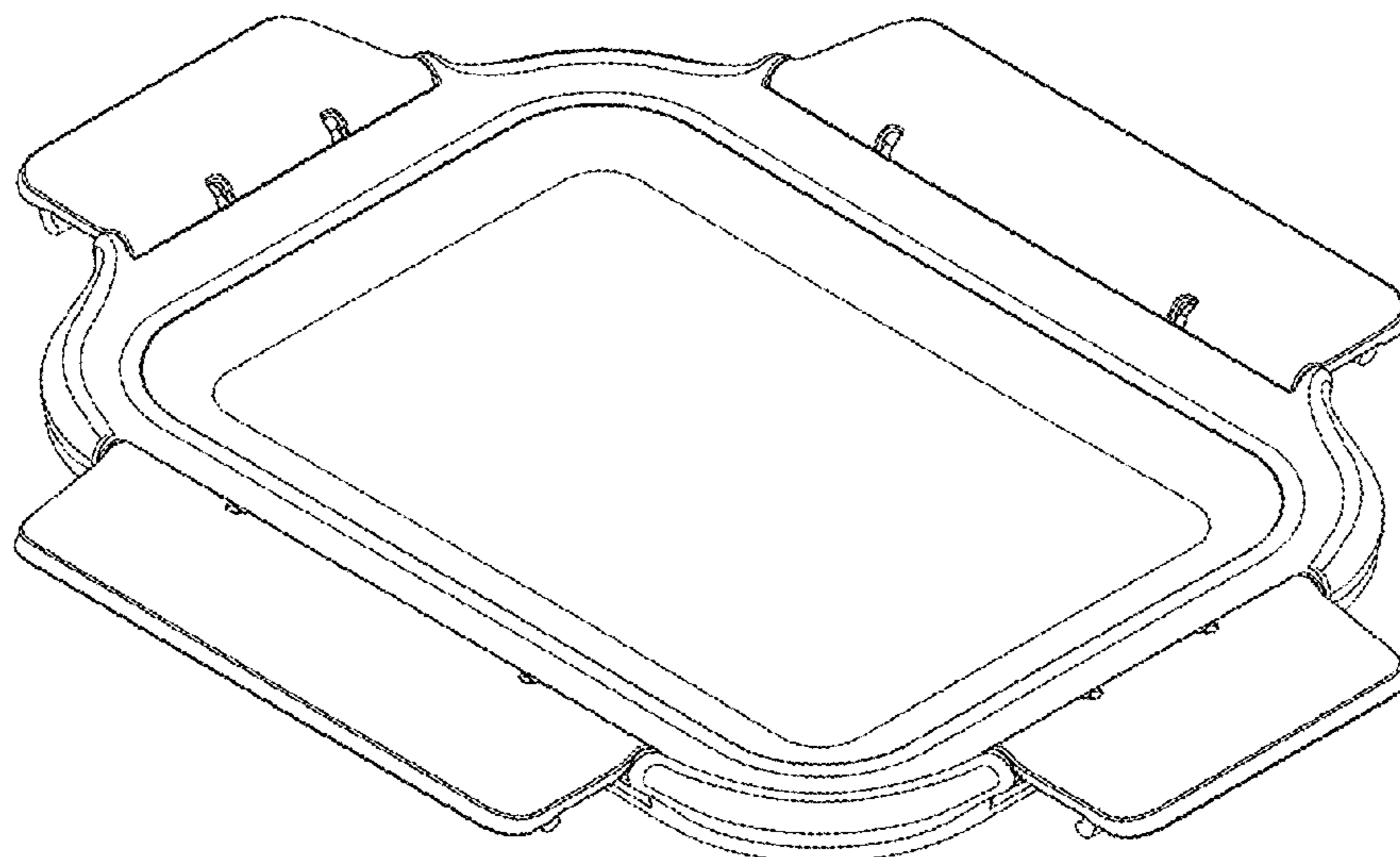
(57) **CLAIM**

The ornamental design for a lid of sealed container food storage, as shown and described.

DESCRIPTION

FIG. 1 is a top, front, right perspective view of the lid of sealed container food storage;
FIG. 2 is a view illustrating a front of the lid of sealed container food storage;
FIG. 3 is a view illustrating a rear of the lid of sealed container food storage;
FIG. 4 is a view illustrating a left side of the lid of sealed container food storage;
FIG. 5 is a view illustrating a right side of the lid of sealed container food storage;
FIG. 6 is a view illustrating a top of the lid of sealed container food storage; and,
FIG. 7 is a view illustrating a bottom of the lid of sealed container food storage.
The wire frame lines shown throughout the views are intended to indicate surface contour and are not intended to be surface ornamentation.

1 Claim, 7 Drawing Sheets



(56)

References Cited

U.S. PATENT DOCUMENTS

D722,832 S * 2/2015 Ra D7/602
2004/0084464 A1 * 5/2004 Koo B65D 45/18
220/784

* cited by examiner

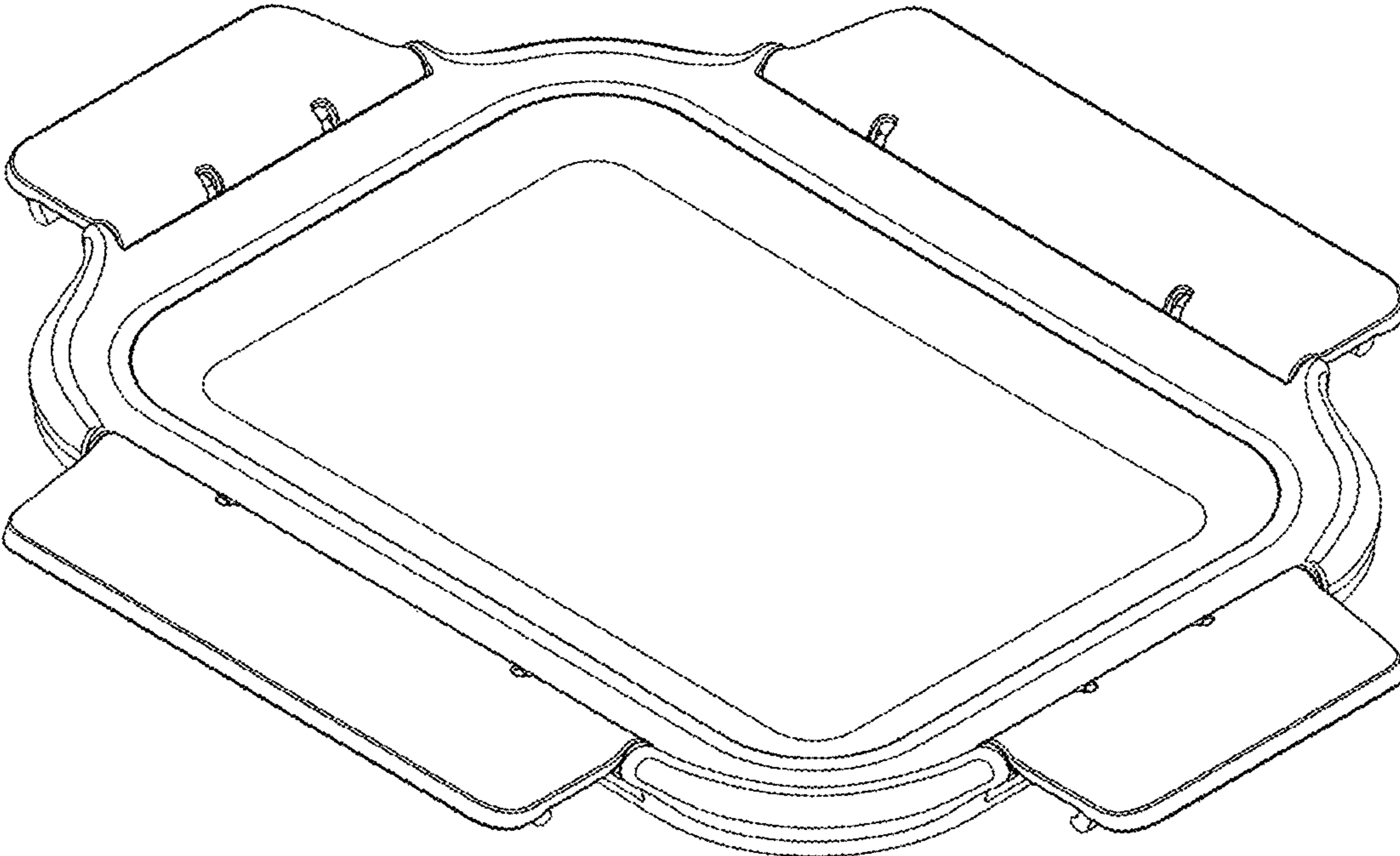


FIG. 1

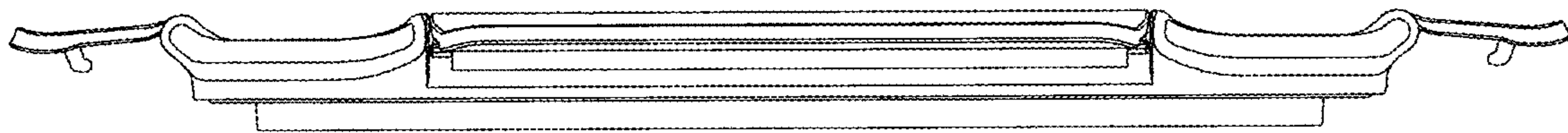


FIG. 2

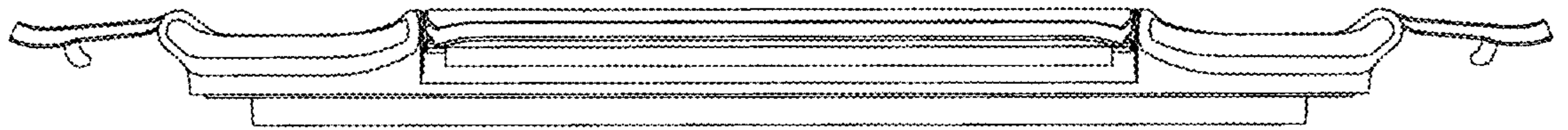


FIG. 3

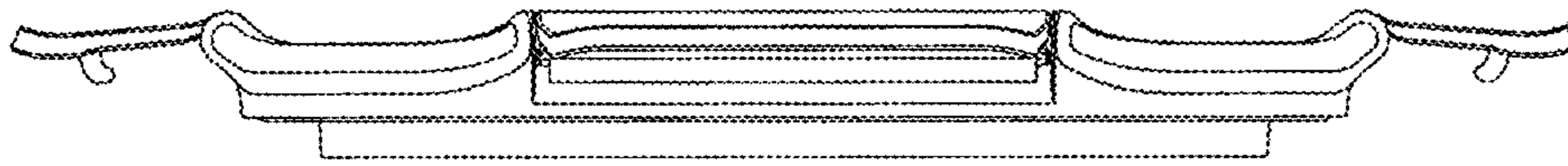


FIG. 4

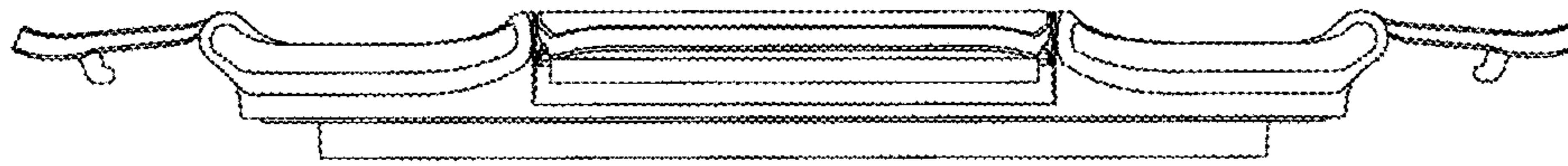


FIG. 5

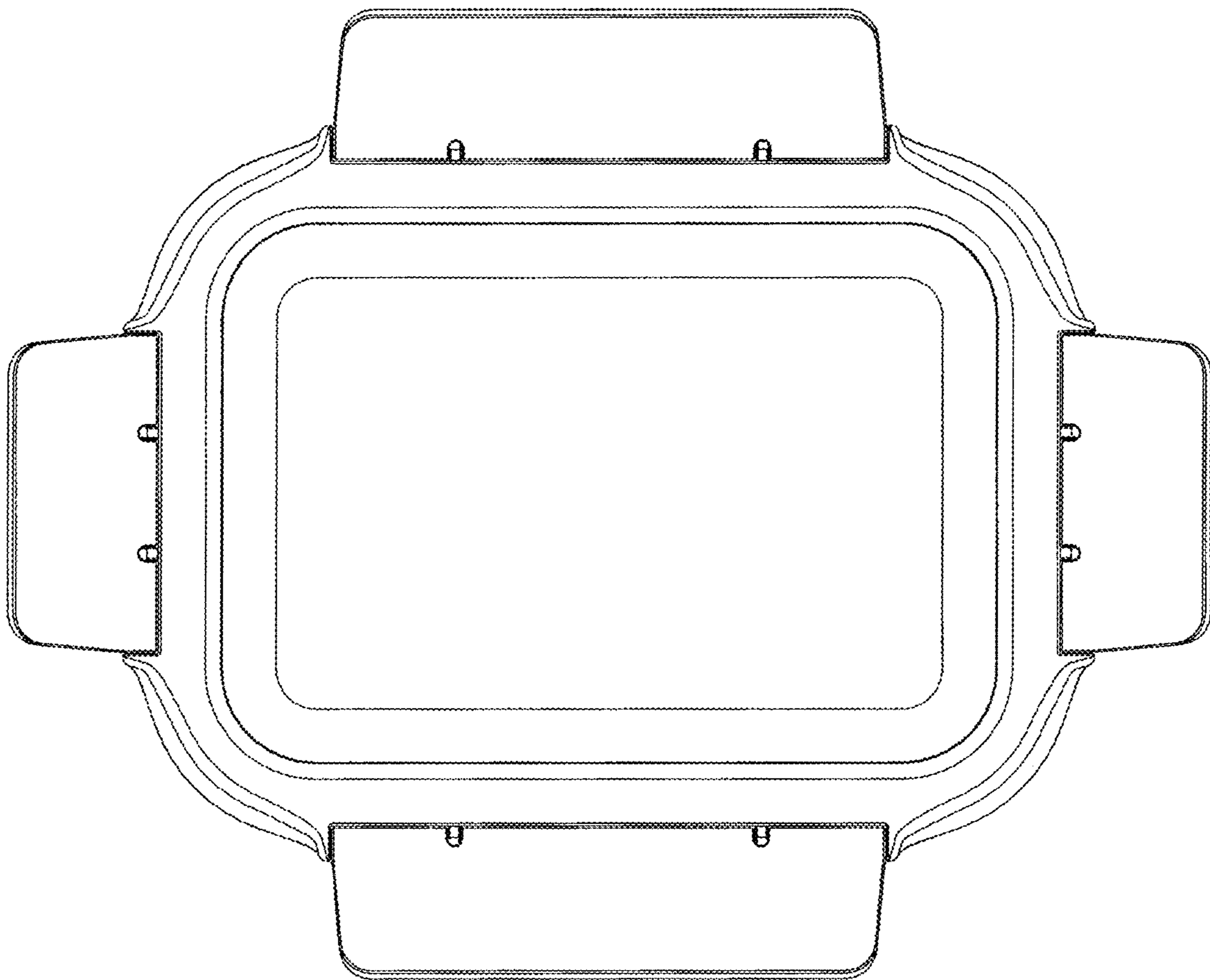


FIG. 6

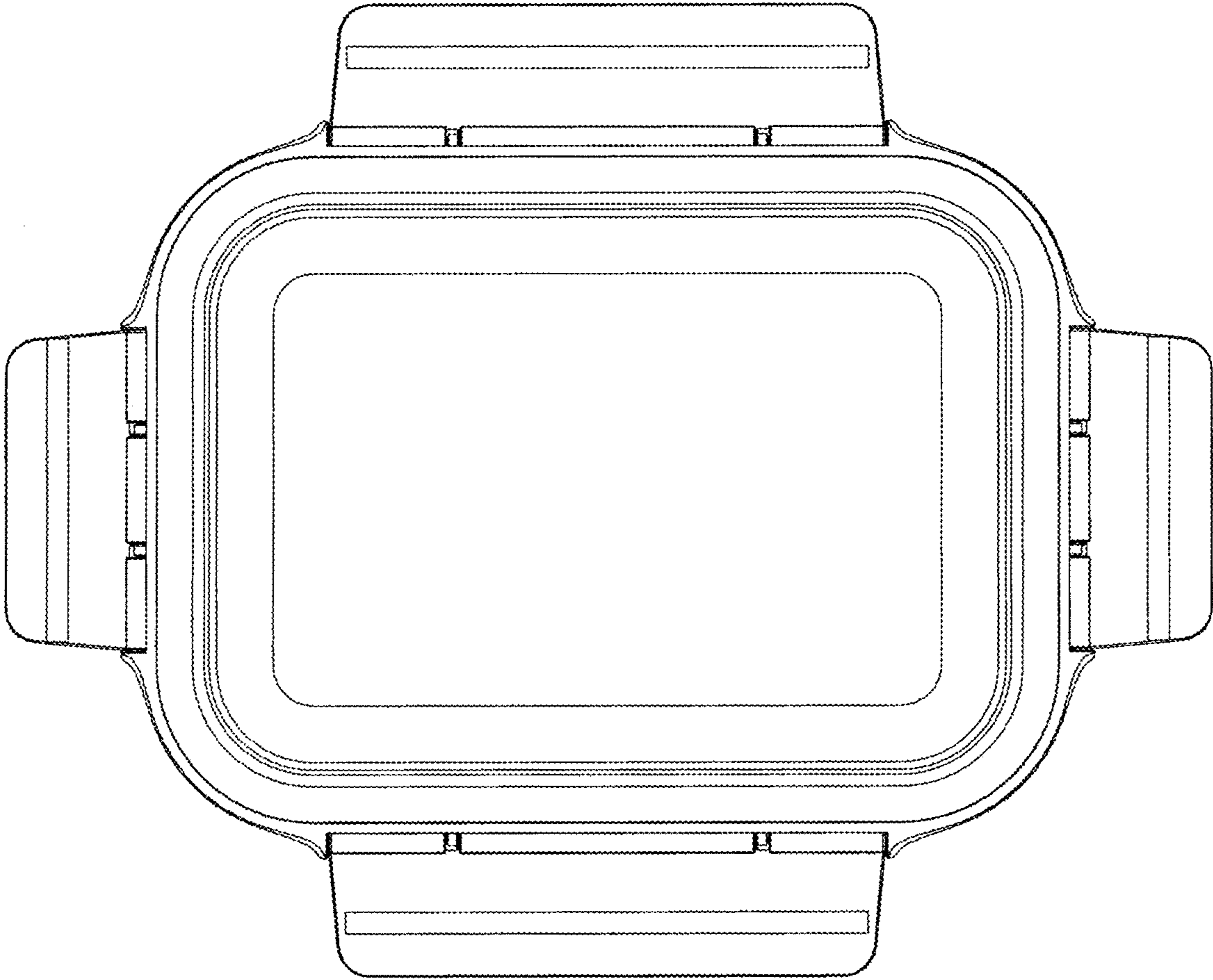


FIG. 7