



US00D957180S

(12) **United States Design Patent** (10) **Patent No.:** **US D957,180 S**
Walter et al. (45) **Date of Patent:** **** Jul. 12, 2022**

(54) **SCREW SHAFT ELEMENT**
(71) Applicant: **Buss AG**, Pratteln (CH)
(72) Inventors: **Wolfgang Walter**, Aalen (DE); **Martin Schötzau**, Augst (DE)
(73) Assignee: **Buss AG**, Pratteln (CH)
(**) Term: **15 Years**
(21) Appl. No.: **29/763,709**
(22) Filed: **Dec. 23, 2020**

Related U.S. Application Data

(62) Division of application No. 29/668,733, filed on Nov. 1, 2018, now Pat. No. Des. 929,799.

Foreign Application Priority Data

May 4, 2018 (EM) 005258811
May 4, 2018 (EM) 005258811-0001
May 4, 2018 (EM) 005258811-0004
May 4, 2018 (EM) 005258811-0005
May 4, 2018 (EM) 005258811-0008

(51) **LOC (13) Cl.** **31-00**
(52) **U.S. Cl.**
USPC **D7/376**

(58) **Field of Classification Search**
USPC D7/376, 368, 377, 379, 412, 387, 213;
D8/387; D24/220
CPC B01F 7/00416; B01F 7/086; B01F
2215/0049; B01F 2215/0422; B29C
48/03; B29C 48/395; B29C 48/04; B29C
48/67; B29C 48/45; B29C 48/565; B29C
48/687; B29B 7/421; B29B 7/423; B29B
7/429; B29B 7/44

See application file for complete search history.

(56) **References Cited**

U.S. PATENT DOCUMENTS

D23,336 S * 6/1894 Quimby D8/387
1,283,947 A 11/1918 Steinle
1,468,581 A 9/1923 Steenberg
1,521,044 A 12/1924 Parker

(Continued)

FOREIGN PATENT DOCUMENTS

DE 1091841 B * 10/1960 B29C 48/56
EP 2952275 A1 * 12/2015 B29C 48/402
EP 2965889 A1 * 1/2016 B29B 7/482

Primary Examiner — Sheryl Lane

Assistant Examiner — Ieisha N Price

(74) *Attorney, Agent, or Firm* — Larson & Anderson, LLC

(57) **CLAIM**

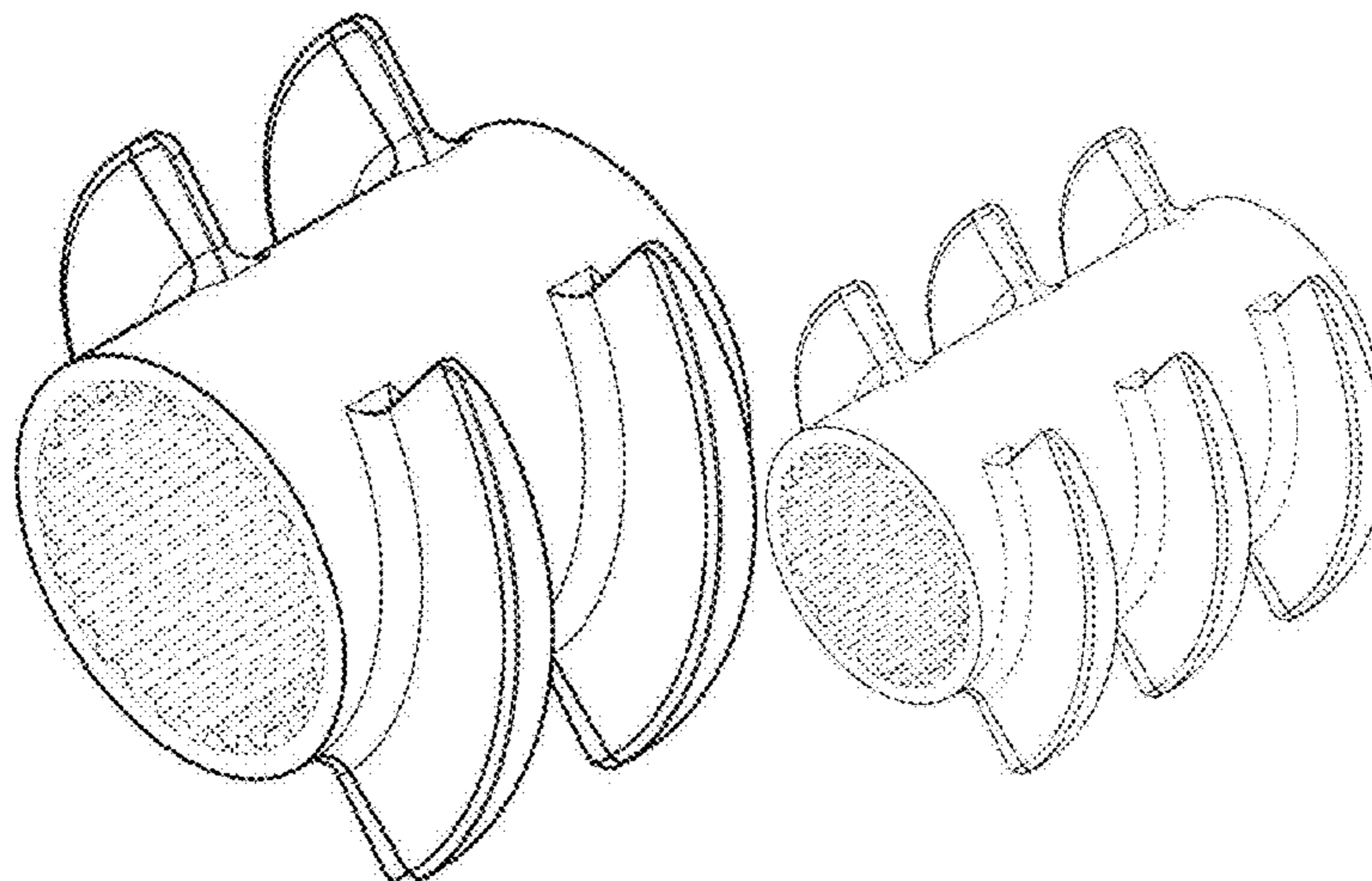
The ornamental design for a screw shaft element, as shown and described.

DESCRIPTION

FIG. 1 is a perspective view of the first embodiment of the screw shaft element showing of our new design;
FIG. 2 is a front view thereof;
FIG. 3 is a back view thereof;
FIG. 4 is a left view thereof;
FIG. 5 is a right view thereof;
FIG. 6 is a top view thereof;
FIG. 7 is a bottom view thereof;
FIG. 8 is a perspective view second embodiment of the screw shaft element showing our new design;
FIG. 9 is a front view thereof;
FIG. 10 is a back view thereof;
FIG. 11 is a left view thereof;
FIG. 12 is a right view thereof;
FIG. 13 is a top view thereof; and,
FIG. 14 is a bottom view thereof.

The broken lines in the drawings illustrate portions of the screw shaft element and form no part of the claimed design.

1 Claim, 14 Drawing Sheets



(56)

References Cited

U.S. PATENT DOCUMENTS

D121,299 S 7/1940 Krebs
 2,626,132 A 1/1953 Reed
 2,896,925 A * 7/1959 Place B01F 7/00475
 416/201 R
 3,189,324 A * 6/1965 Gubler B29C 48/605
 366/90
 4,305,673 A 12/1981 Herbst
 D290,394 S 6/1987 Stevens et al.
 4,702,608 A 10/1987 Garbar et al.
 5,158,434 A * 10/1992 Weetman B01F 7/00341
 416/201 A
 D381,892 S 8/1997 Porter et al.
 D422,896 S 4/2000 Holzinger
 D435,789 S 1/2001 Holzinger
 D601,850 S 10/2009 Ikuta
 D648,193 S 11/2011 Wheat
 D649,030 S 11/2011 Austin, III
 D692,275 S 10/2013 Audette
 D696,070 S * 12/2013 Audette D7/412
 D706,893 S 6/2014 Diederich
 D782,059 S * 3/2017 Osada D24/220
 9,587,662 B2 * 3/2017 Glass F16B 13/128
 D804,247 S 12/2017 Winn et al.
 10,428,830 B2 10/2019 Lee et al.

D891,634 S 7/2020 Skakoon
 D910,834 S * 2/2021 Wang F04D 29/384
 D23/413
 D929,799 S * 9/2021 Walter D7/376
 2005/0249030 A1 11/2005 Williams
 2006/0171251 A1 8/2006 Busick
 2007/0183253 A1 8/2007 Siegenthaler
 2009/0027994 A1 1/2009 Grutter et al.
 2009/0134173 A1 * 5/2009 Liang B01F 7/22
 220/563
 2009/0238911 A1 9/2009 Hayashi
 2009/0245014 A1 10/2009 Suzuki
 2010/0067320 A1 3/2010 Blach et al.
 2010/0284236 A1 11/2010 Franz et al.
 2011/0026360 A1 * 2/2011 Greller B01F 7/00691
 366/308
 2014/0199424 A1 7/2014 Behling
 2014/0306370 A1 10/2014 Dispenza et al.
 2015/0240832 A1 8/2015 Xia et al.
 2015/0352770 A1 12/2015 Busenbecker
 2016/0223006 A1 8/2016 Hettich
 2018/0135645 A1 5/2018 Chen et al.
 2020/0116159 A1 * 4/2020 Yang F04D 29/384
 2020/0238235 A1 7/2020 Schotzau et al.
 2020/0282622 A1 9/2020 Ougier et al.
 2020/0298189 A1 9/2020 Ko

* cited by examiner

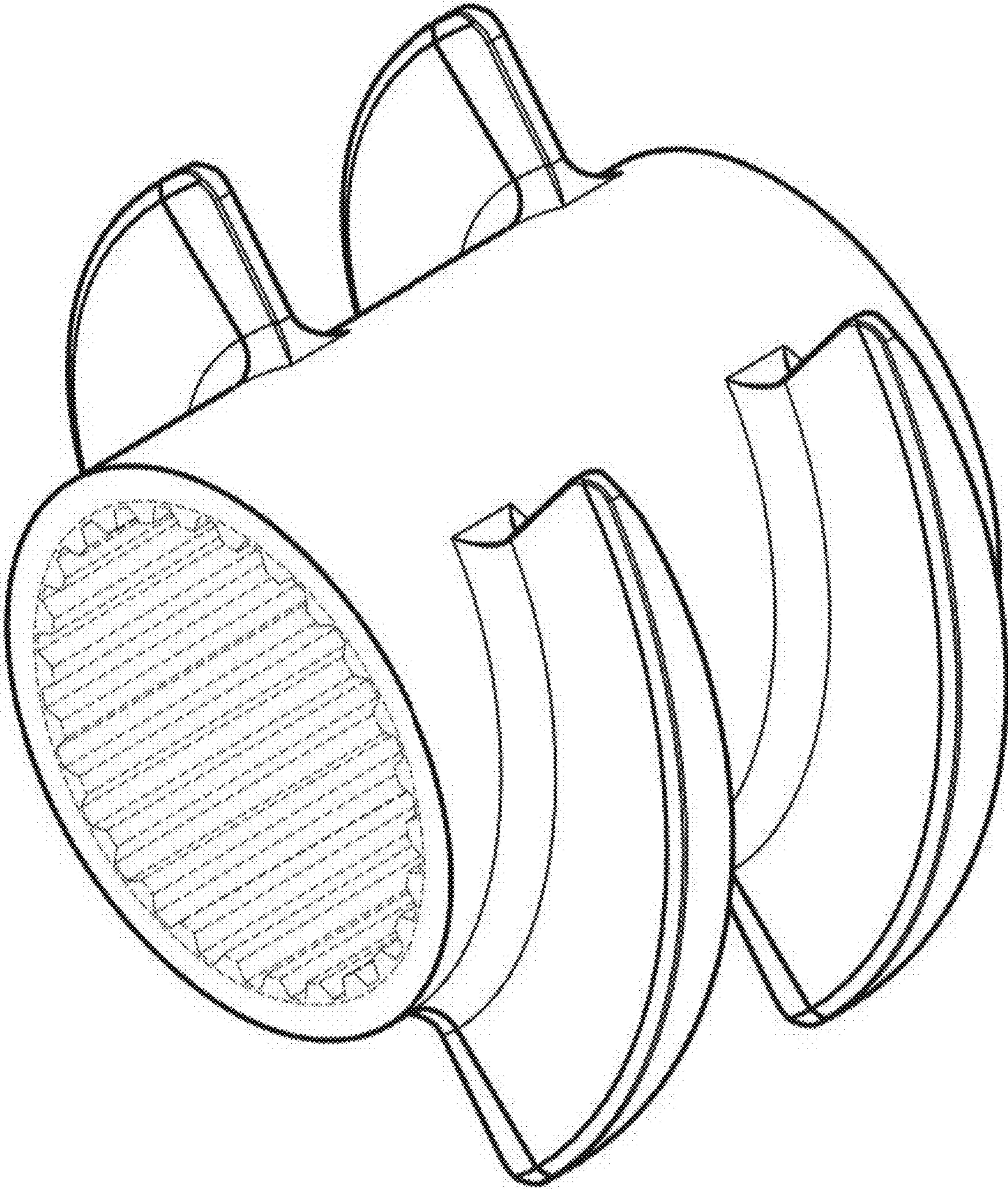


Fig. 1

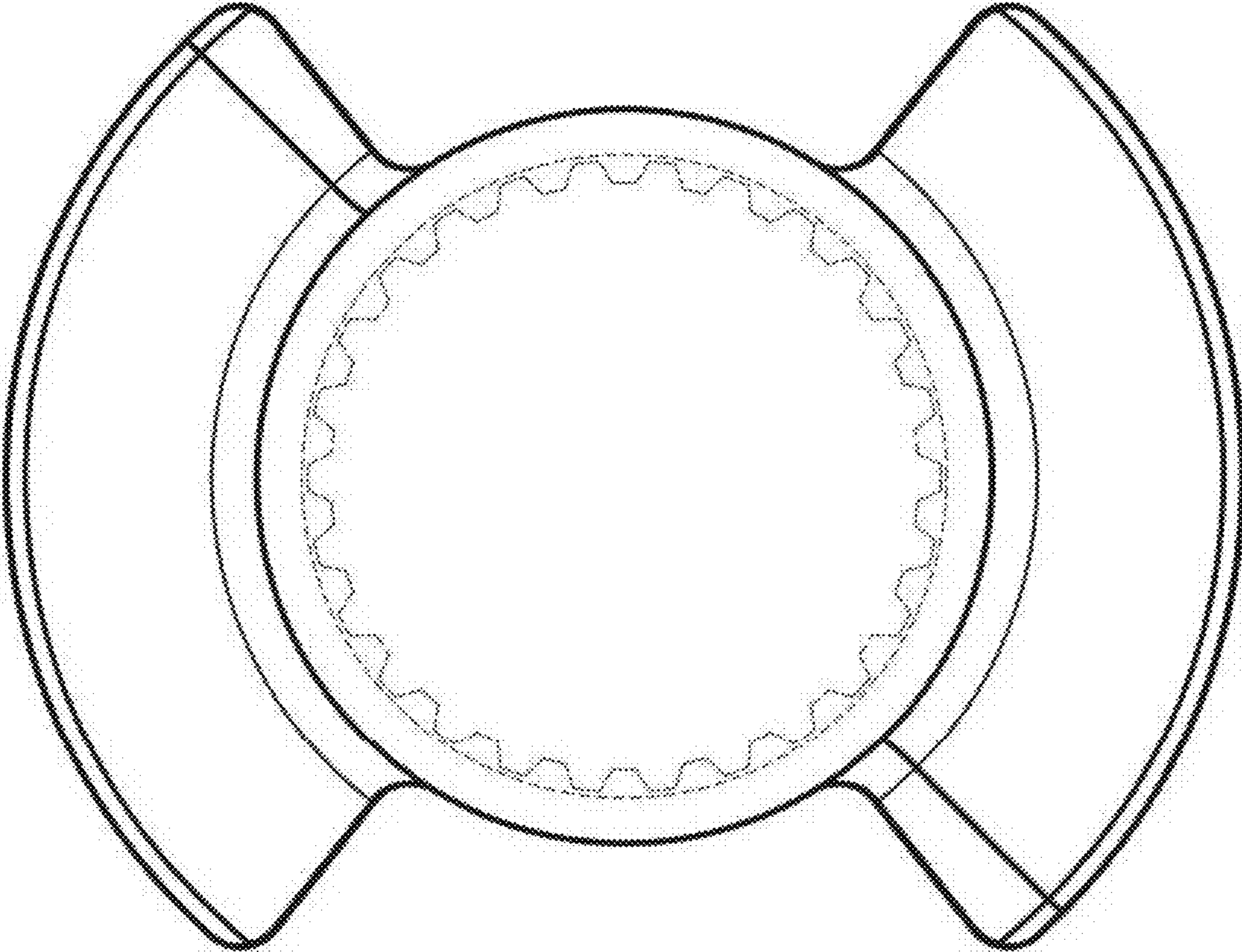


Fig. 2

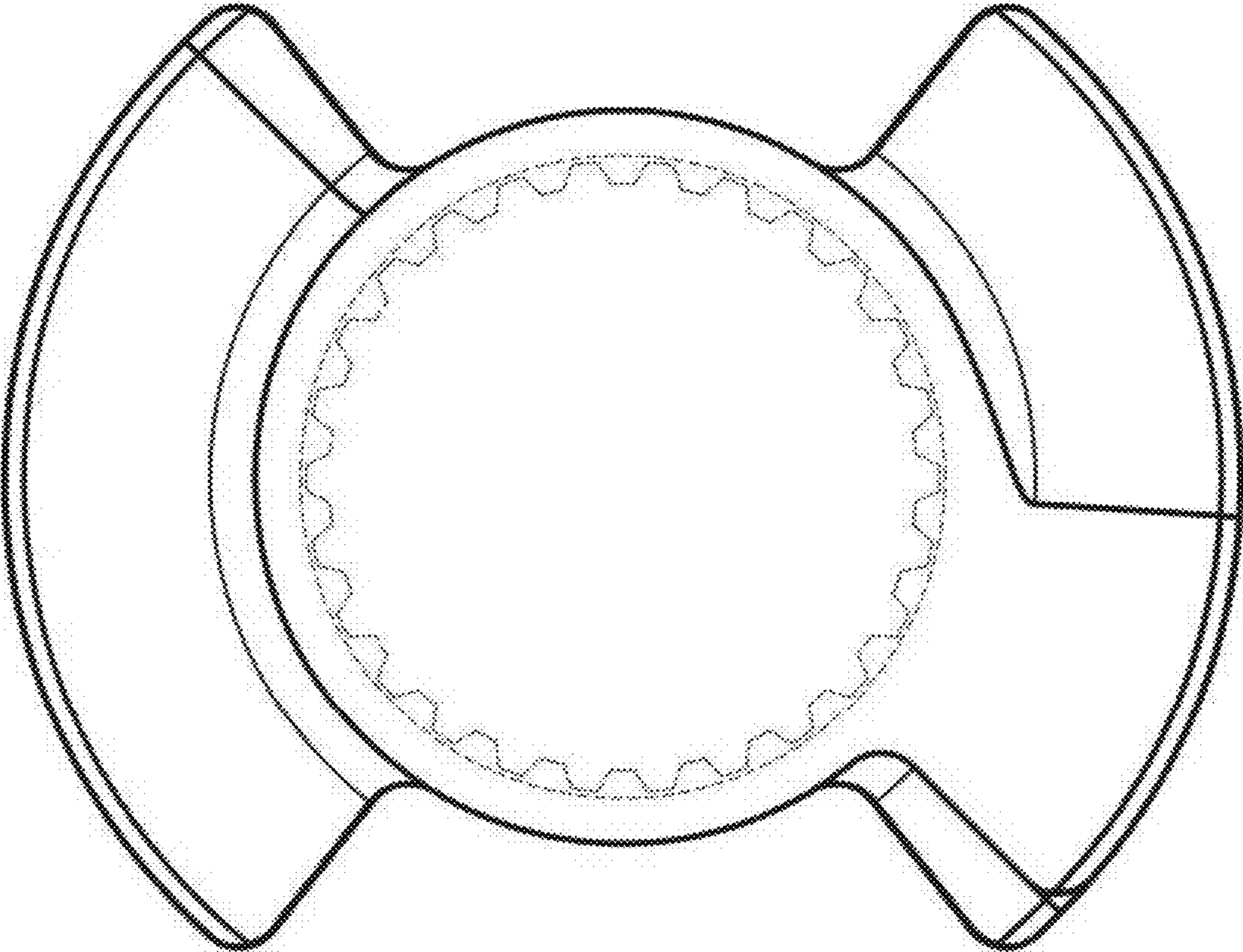


Fig. 3

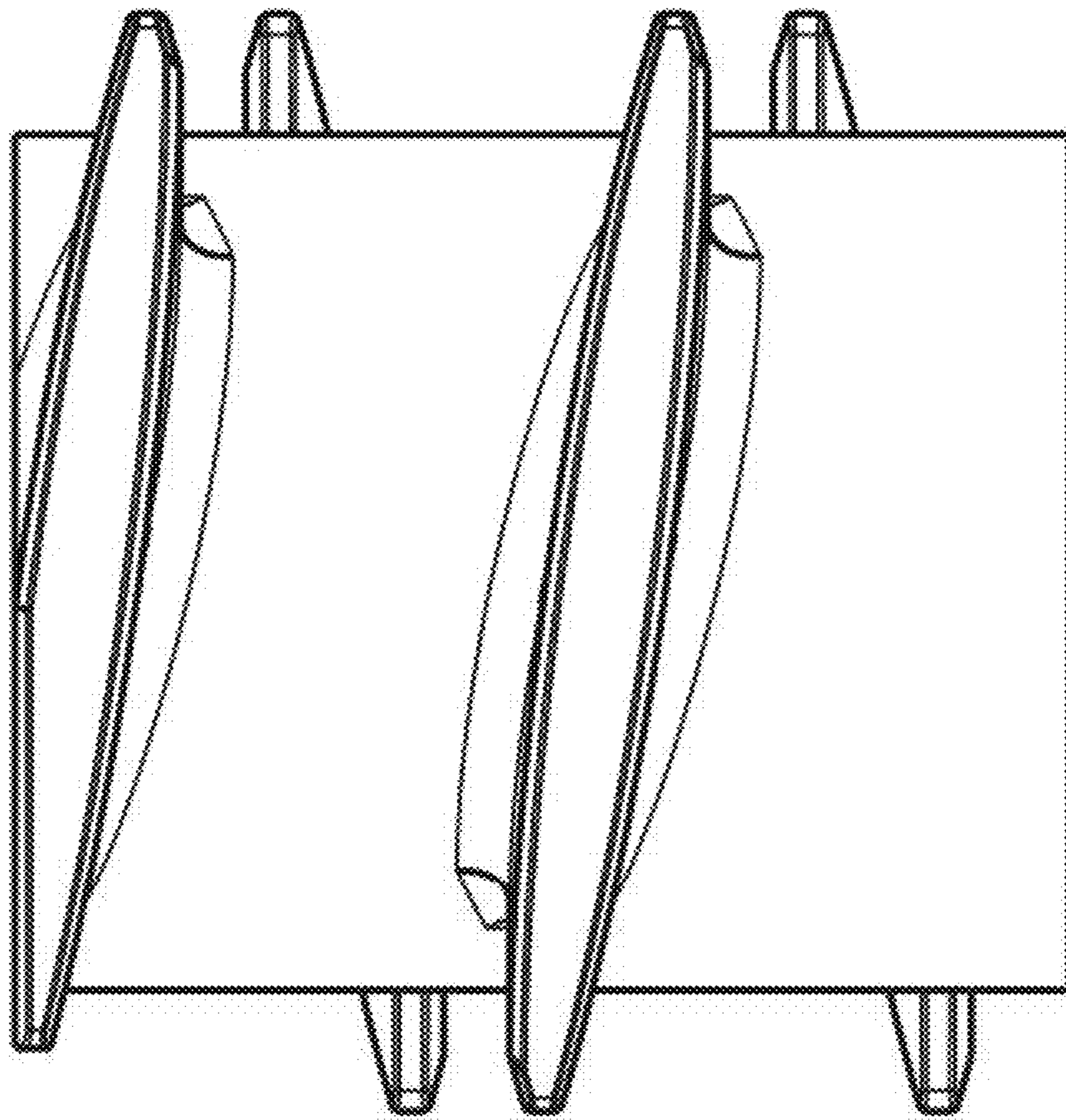


Fig. 4

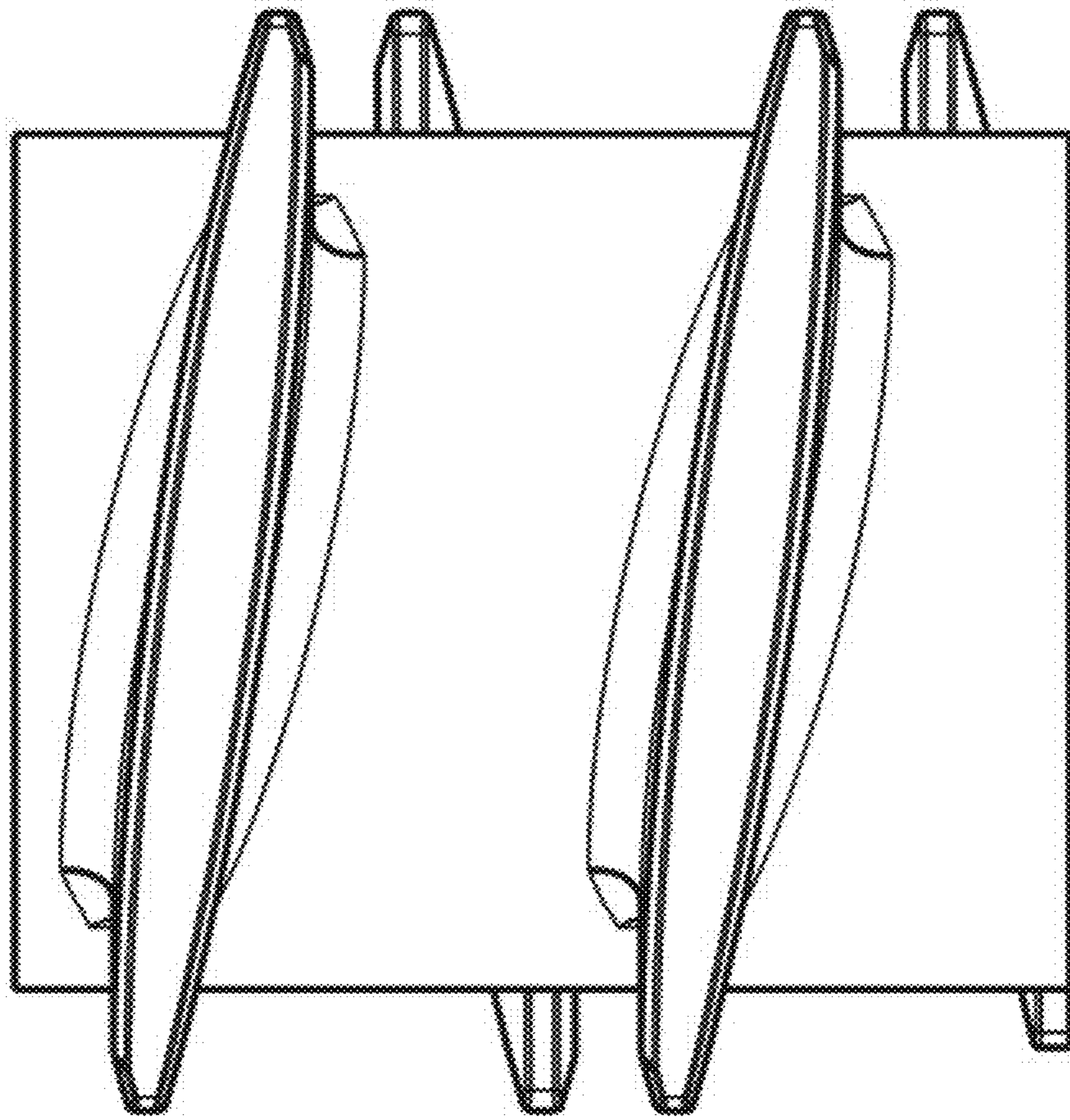


Fig. 5

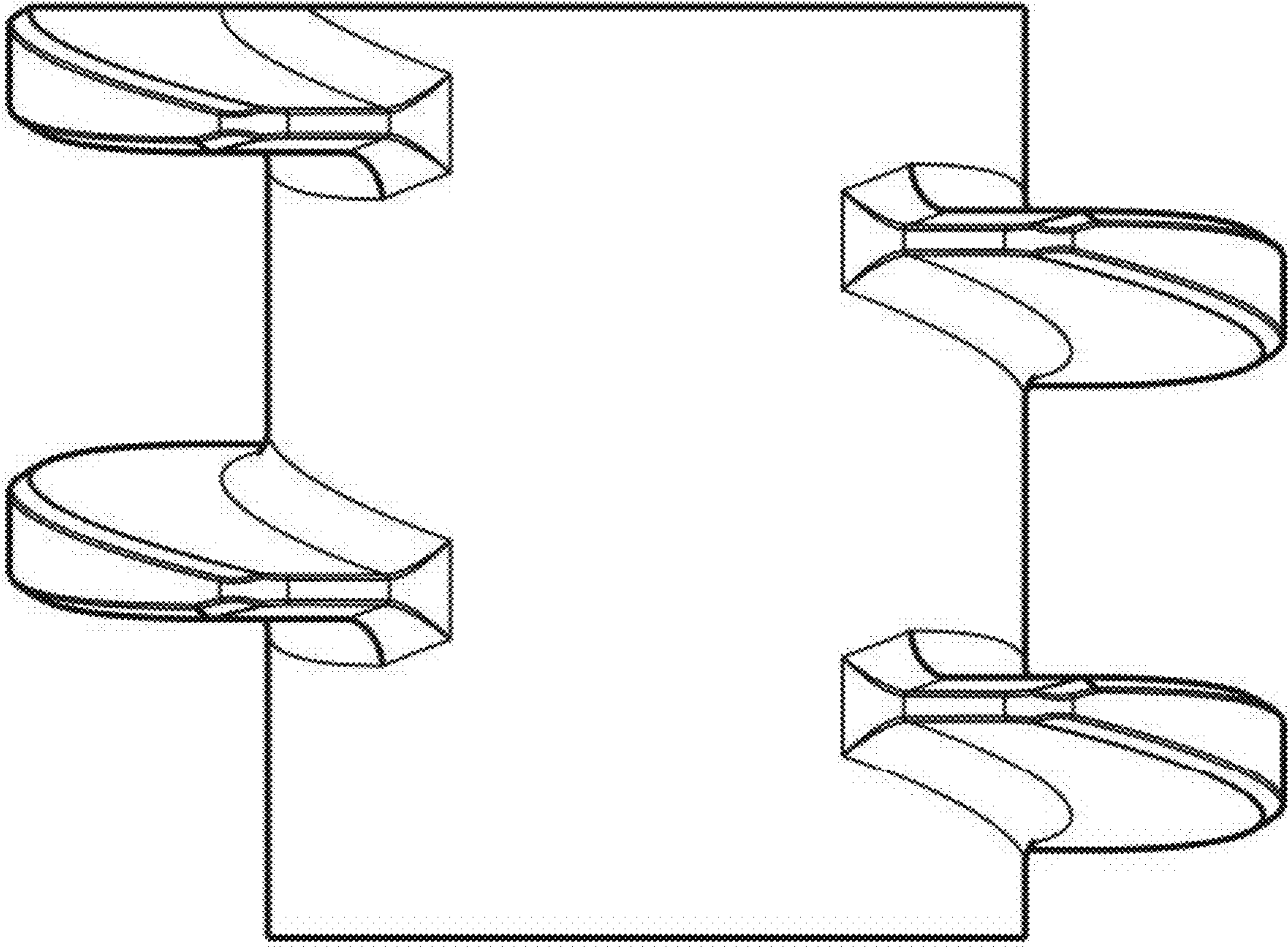


Fig. 6

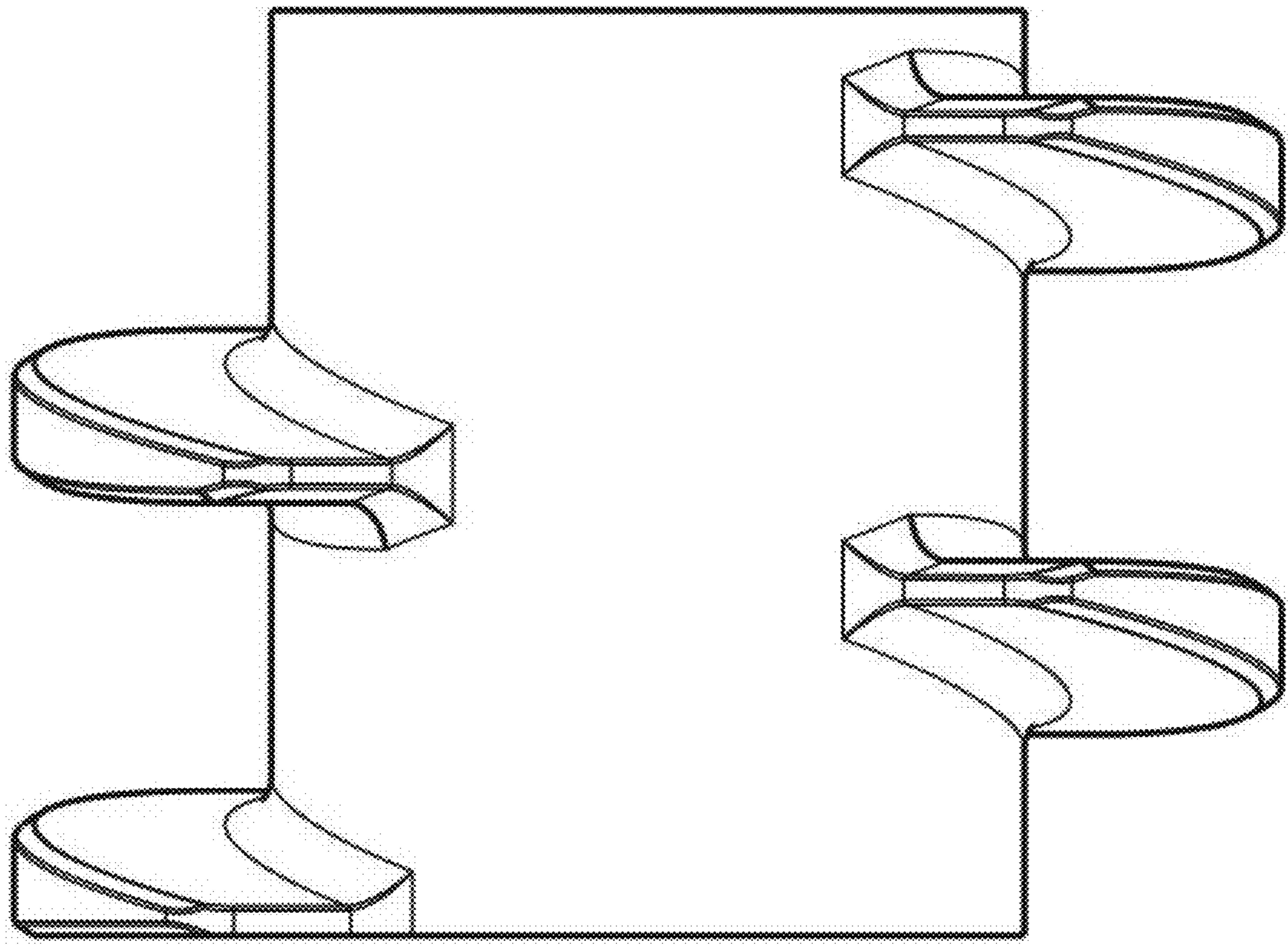


Fig. 7

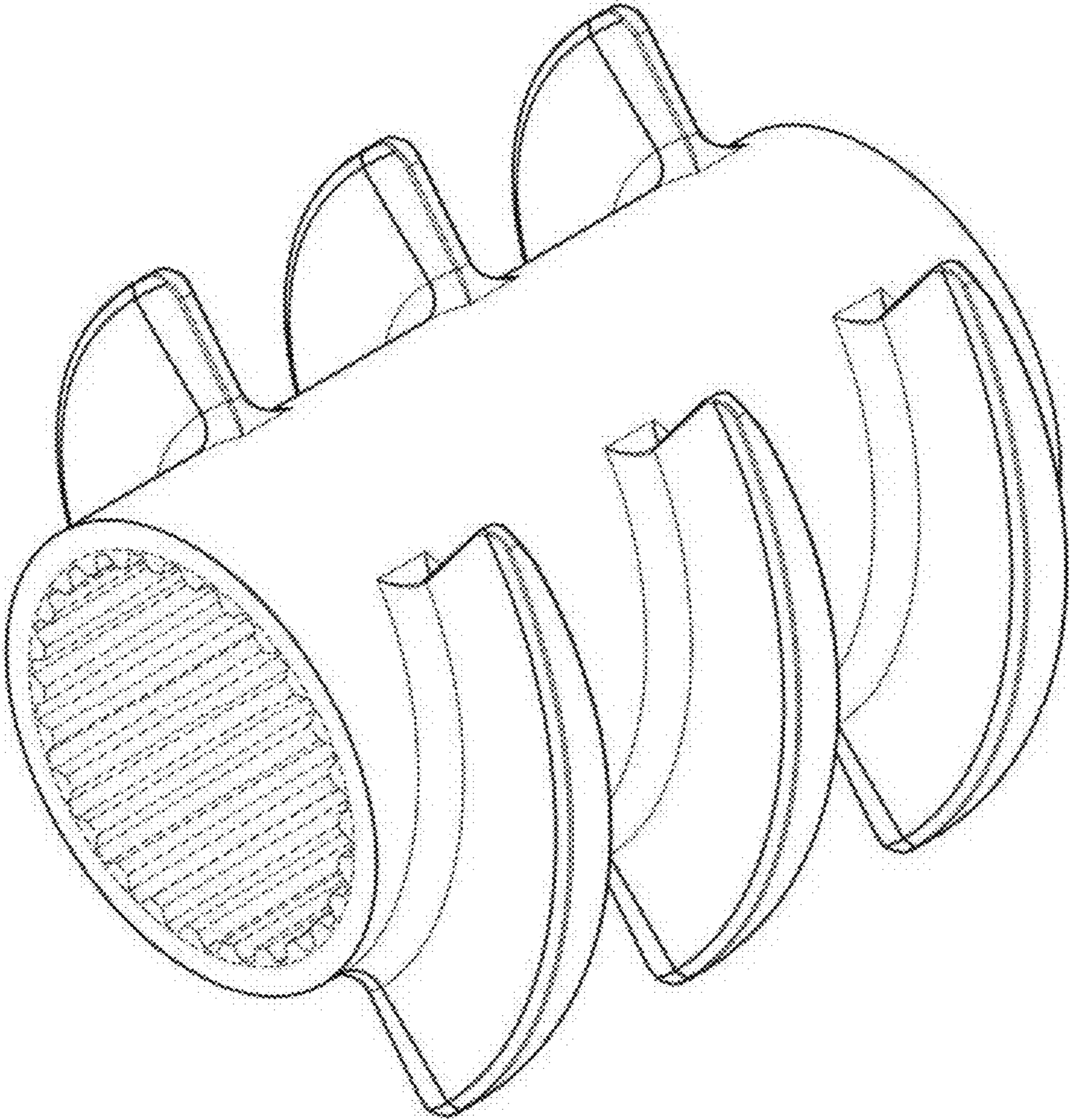


Fig. 8

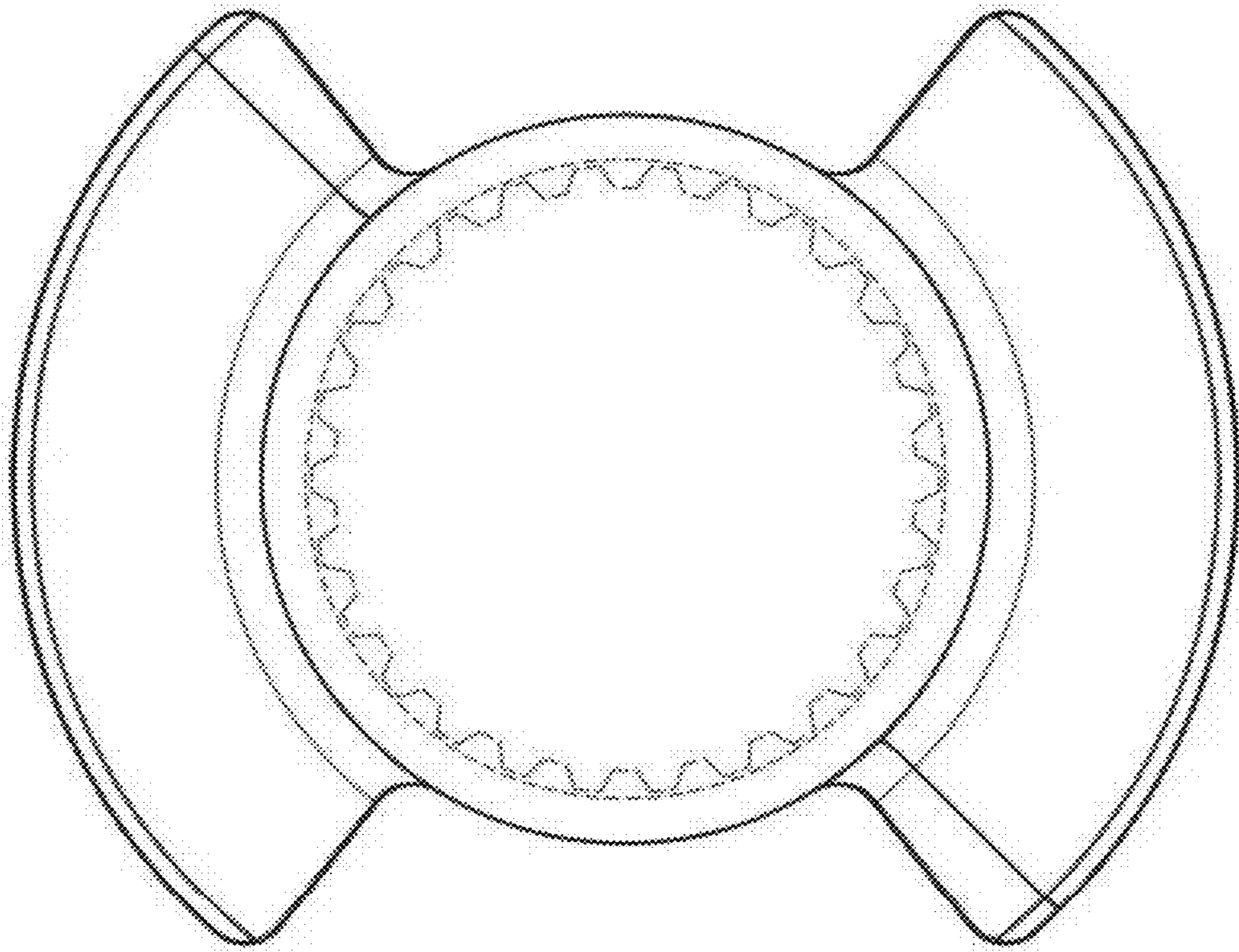


Fig. 9

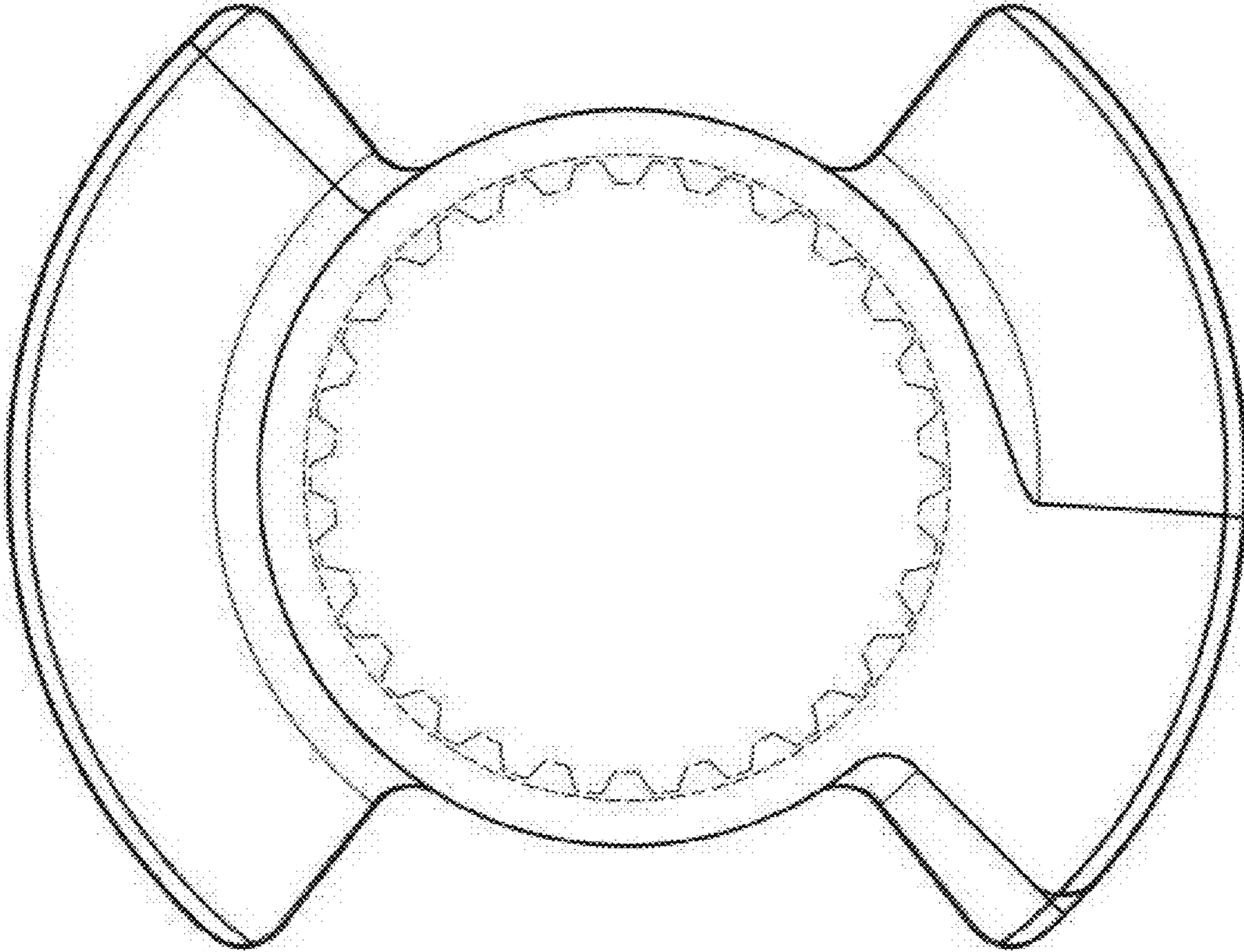


Fig. 10

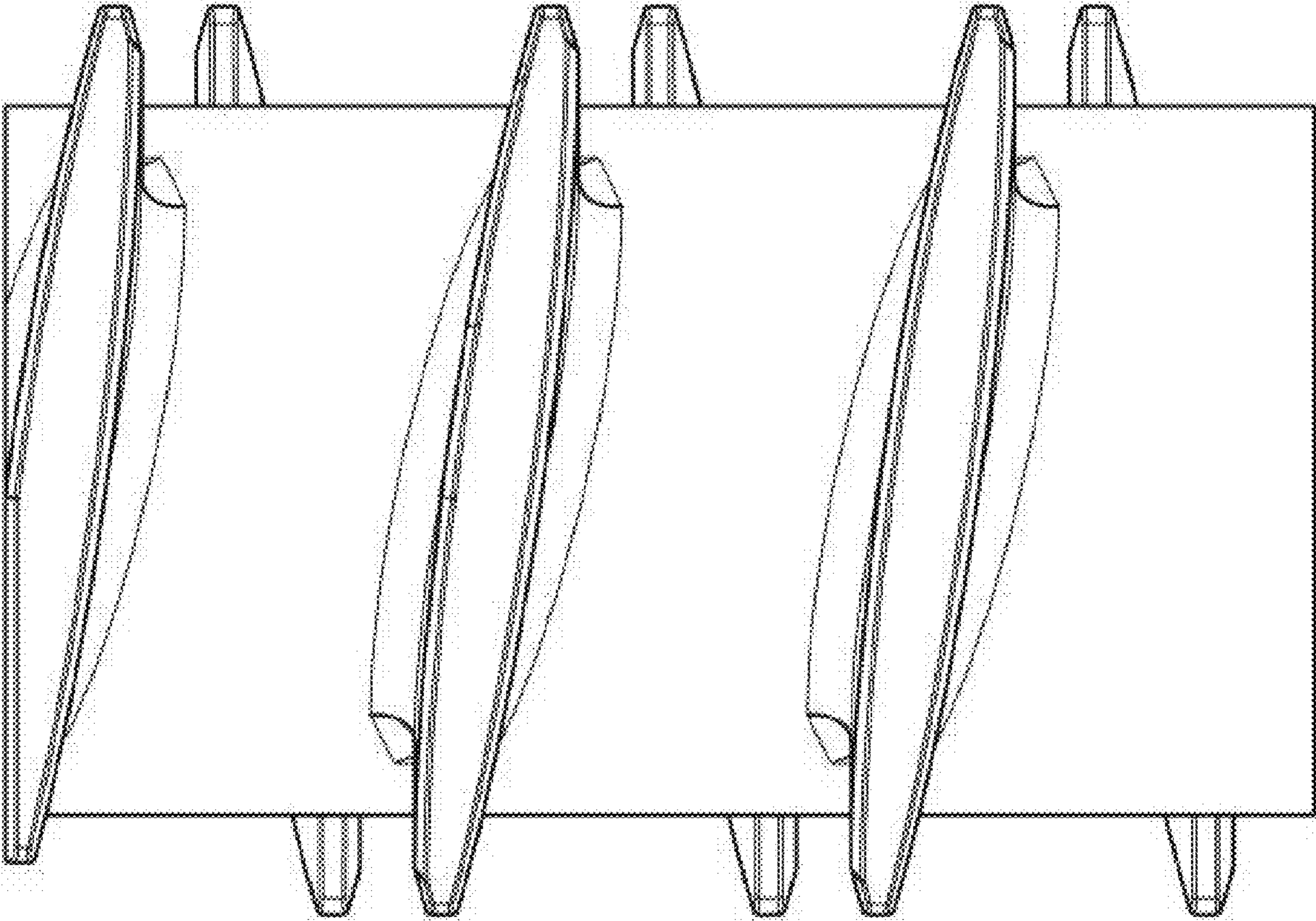


Fig. 11

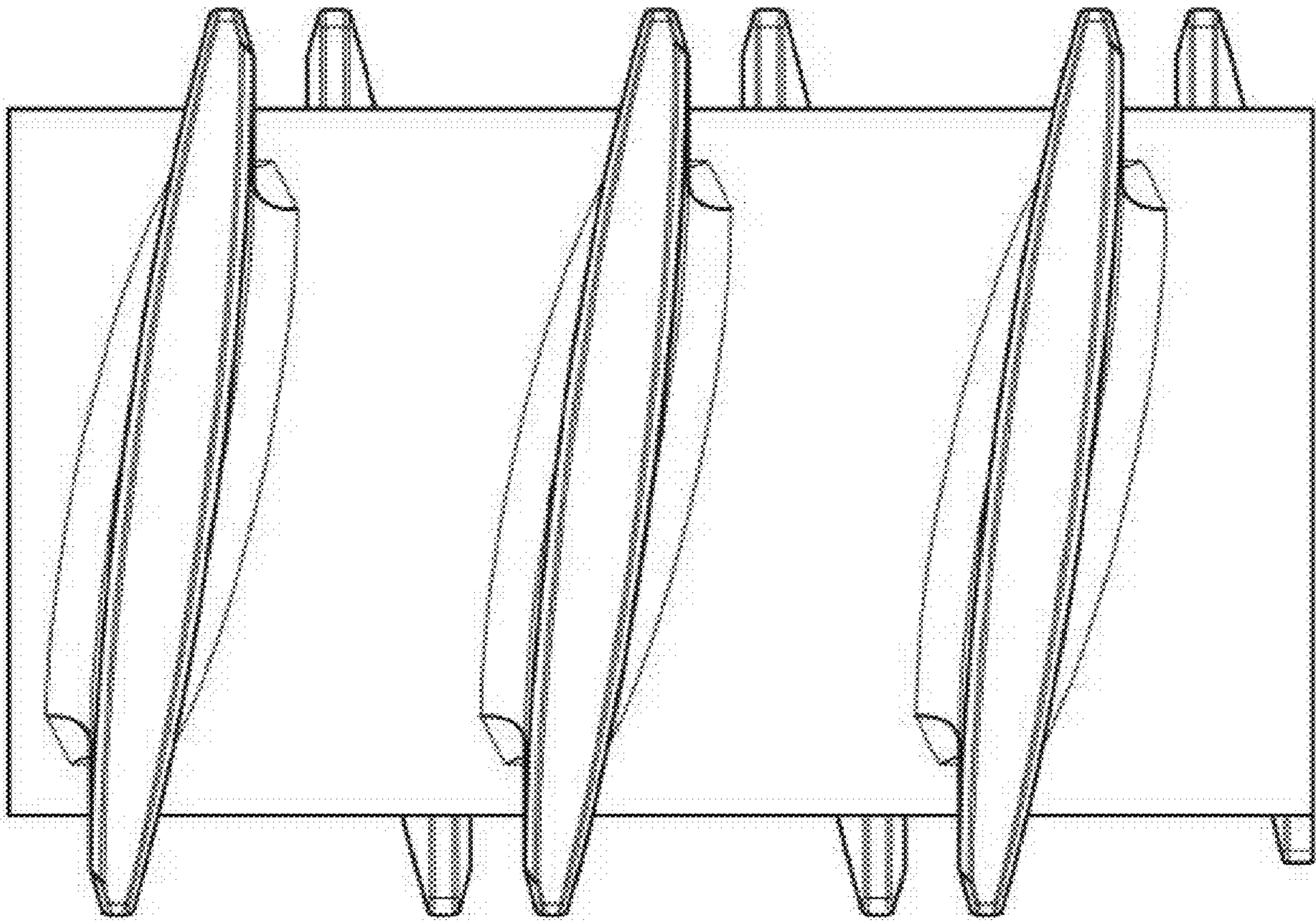


Fig. 12

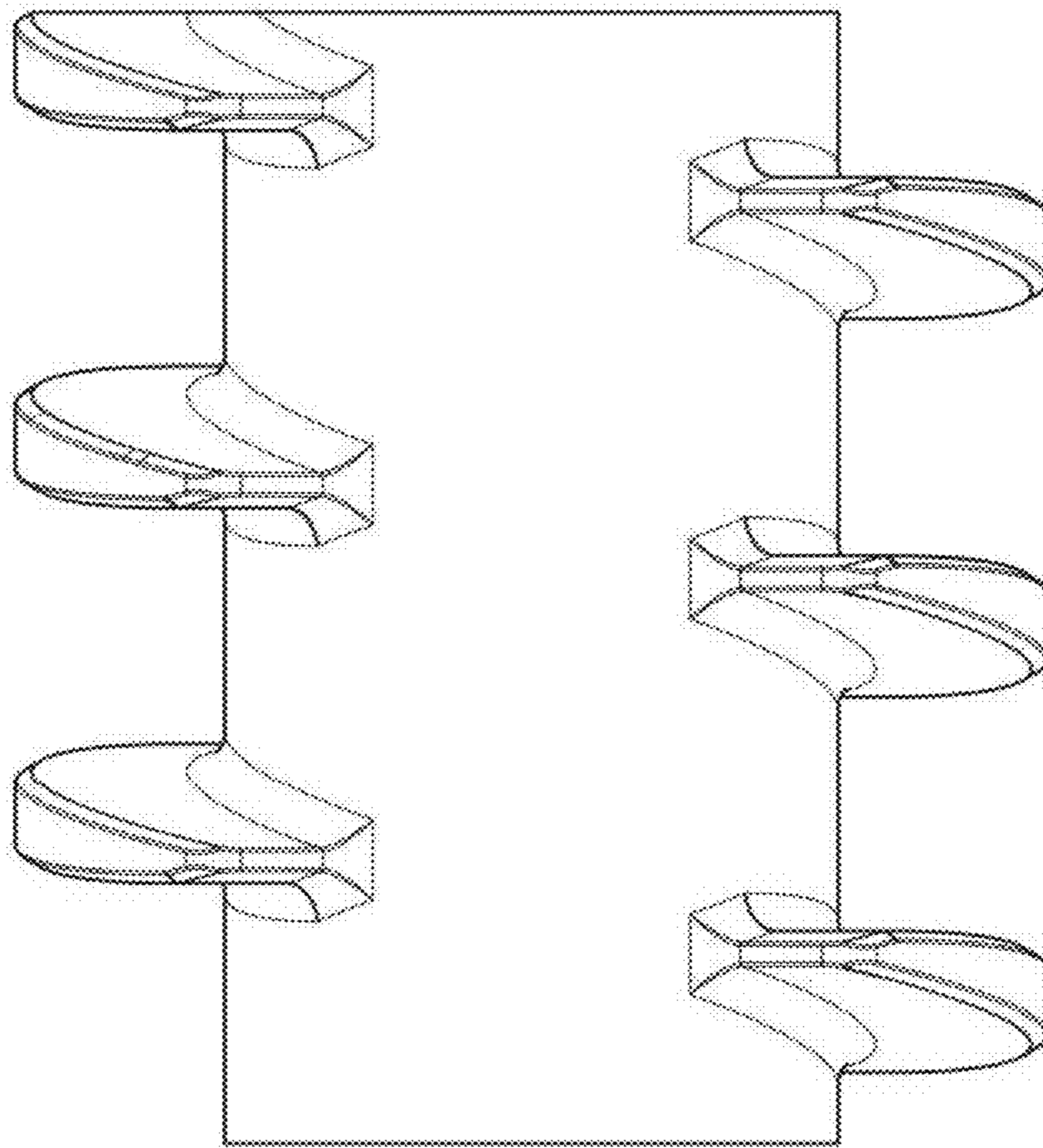


Fig. 13

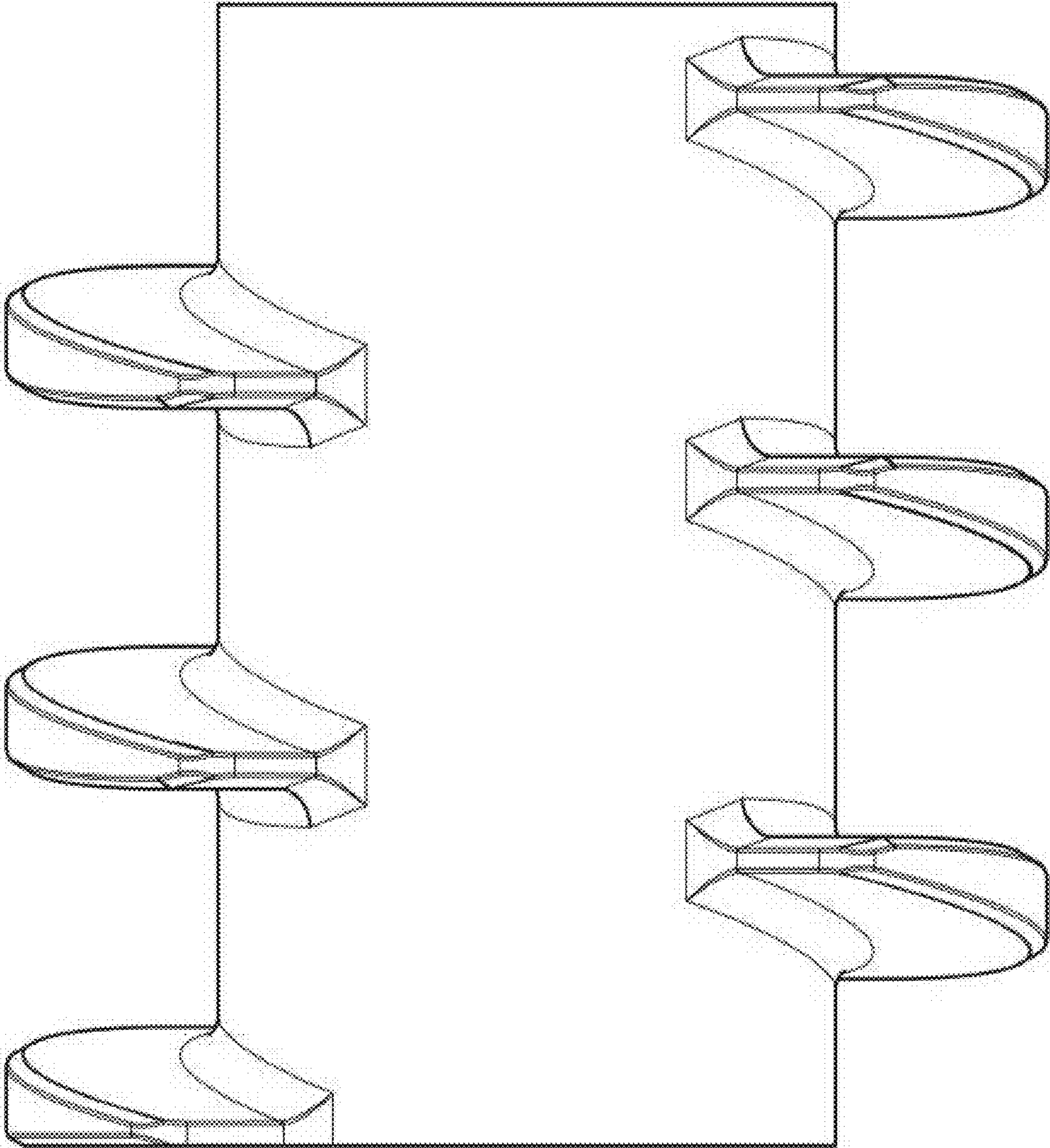


Fig. 14