



US00D957177S

(12) **United States Design Patent**
Sillett et al.

(10) **Patent No.:** **US D957,177 S**
(45) **Date of Patent:** **** Jul. 12, 2022**

(54) **KETTLE**
(71) Applicant: **The Funky Appliance Company Limited**, London (GB)
(72) Inventors: **Jonathan Mark Sillett**, London (GB); **Sadie Sillett**, London (GB)
(73) Assignee: **The Funky Appliance Company Limited**, London (GB)
(**) Term: **15 Years**
(21) Appl. No.: **35/511,013**
(22) Filed: **Nov. 18, 2020**

D394,982 S * 6/1998 Huang D7/317
D395,576 S * 6/1998 Huang D7/317
D399,090 S * 10/1998 Green D7/319
D428,758 S * 8/2000 Santiago D7/322
6,355,911 B2* 3/2002 Chan A47J 31/4457
219/438
D502,355 S * 3/2005 Levien D7/321
D562,053 S * 2/2008 Cohen D7/317
D599,161 S * 9/2009 Friel, Sr. D7/317
D709,724 S * 7/2014 Mander D7/319
D726,486 S * 4/2015 Averty D7/319
D727,675 S * 4/2015 Garvey D7/322
D752,911 S * 4/2016 Bazzicalupo D7/321
D769,665 S * 10/2016 Friel, Jr. D7/312
D784,063 S * 4/2017 Bond D7/317
D796,247 S * 9/2017 Bazzicalupo D7/321
D818,756 S * 5/2018 Averty D7/318

(Continued)

(80) **Hague Agreement Data**

Int. Filing Date: **Nov. 18, 2020**
Int. Reg. No.: **DM/211678**
Int. Reg. Date: **Nov. 18, 2020**
Int. Reg. Pub. Date: **Dec. 25, 2020**

(51) **LOC (13) Cl.** **07-02**
(52) **U.S. Cl.**
USPC **D7/321**
(58) **Field of Classification Search**
USPC D7/300, 302, 316, 317, 318, 319, 350.1,
D7/354, 608, 619.1, 622, 629, 321
CPC . A21B 2/00; A47J 43/27; A47G 19/22; H05B
6/64
See application file for complete search history.

(56) **References Cited**

U.S. PATENT DOCUMENTS

D171,202 S * 12/1953 Graham D7/321
D189,981 S * 3/1961 Ernest D7/321
D323,951 S * 2/1992 Inoue D7/317
D369,714 S * 5/1996 Huang D7/317
D387,947 S * 12/1997 Benbow D7/318
D389,369 S * 1/1998 Hippen D7/317
D394,981 S * 6/1998 Huang D7/317

OTHER PUBLICATIONS

Miosal, Oct. 21, 2020, found on Dec. 10, 2021 at [https://www.amazon.com/dp/B08H1XCJZ2/ref=sspa_dk_detail_0?psc=1&pd_rd_w=RAYOf&pf_rd_p=9fd3ea7c-b77c-42ac-b43b-\(Year:2020\).*](https://www.amazon.com/dp/B08H1XCJZ2/ref=sspa_dk_detail_0?psc=1&pd_rd_w=RAYOf&pf_rd_p=9fd3ea7c-b77c-42ac-b43b-(Year:2020).*)

(Continued)

Primary Examiner — Karen S Acker

(57) **CLAIM**

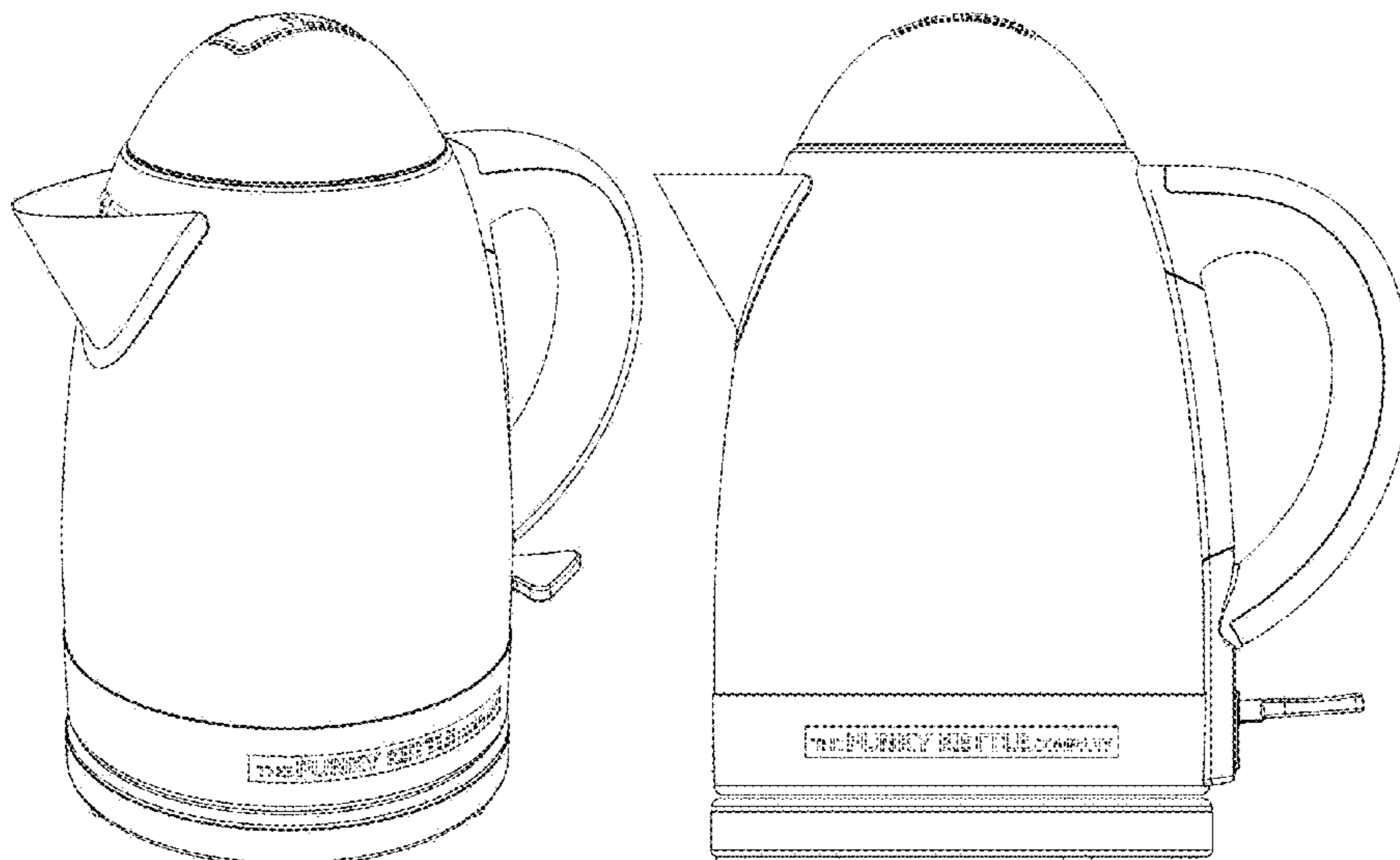
The ornamental design for a kettle, as shown and described.

DESCRIPTION

- 1. Kettle
- 1.1: perspective
- 1.2: first side
- 1.3: second, opposite side
- 1.4: front
- 1.5: rear
- 1.6: top
- 1.7: bottom

The broken lines in the figures depict portions of the kettle that form no part of the claimed design.

1 Claim, 7 Drawing Sheets



(56)

References Cited

U.S. PATENT DOCUMENTS

D827,355 S * 9/2018 Powell D7/318
D872,515 S * 1/2020 Powell D7/319
D889,896 S * 7/2020 Liu A47J 31/4457
D7/319
2011/0259871 A1* 10/2011 Li H05B 1/0269
219/441
2012/0145698 A1* 6/2012 Von Seidel A47J 27/21016
219/438

OTHER PUBLICATIONS

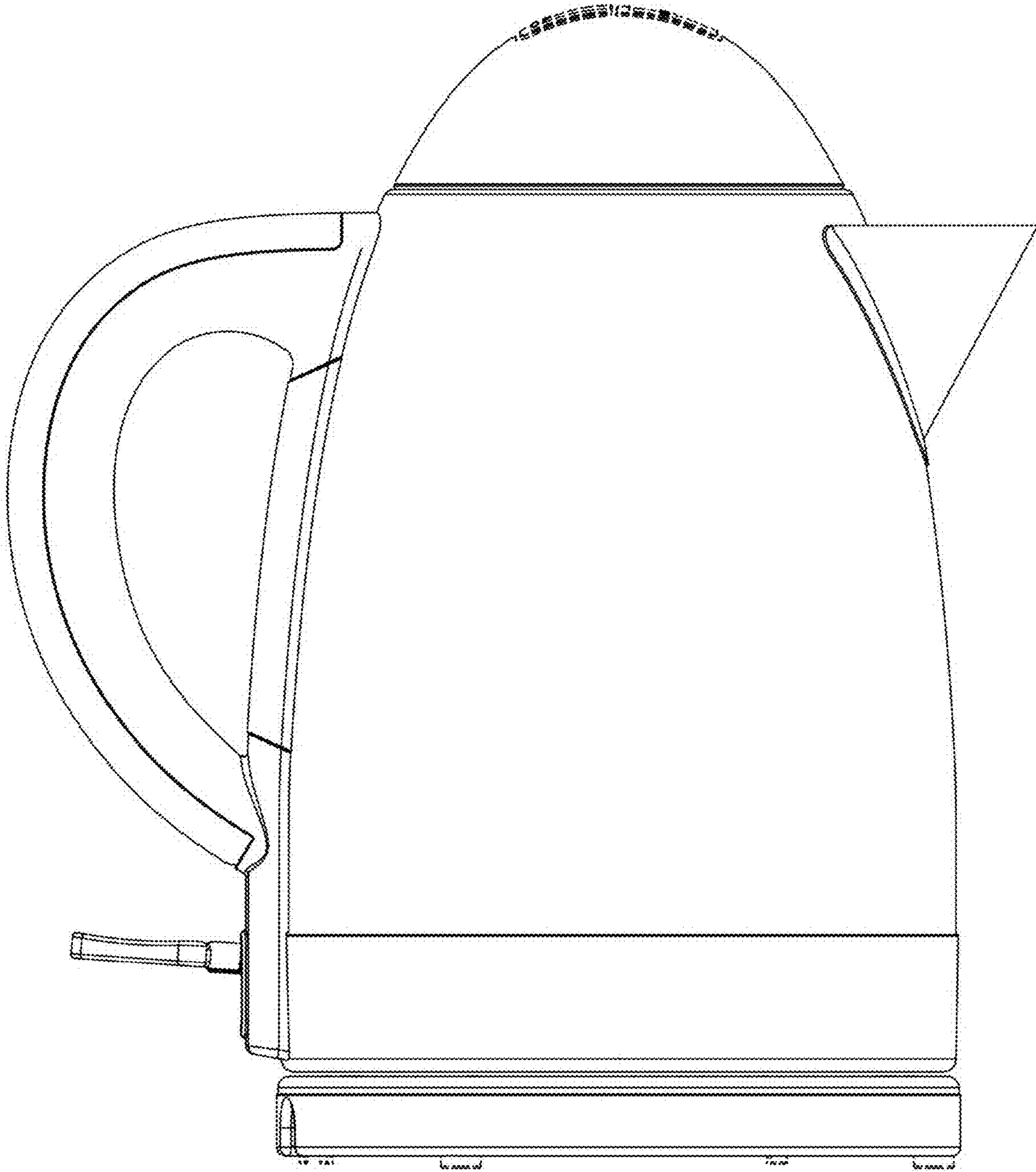
Azeus, Sep. 24, 2019, found on Dec. 10, 2021 at https://www.amazon.com/AZEUS-Electric-Stainless-Cordless-Protection/dp/B07YC2CSBY/ref=sr_1_34?keywords=smeg+kettle (Year: 2019).*

* cited by examiner

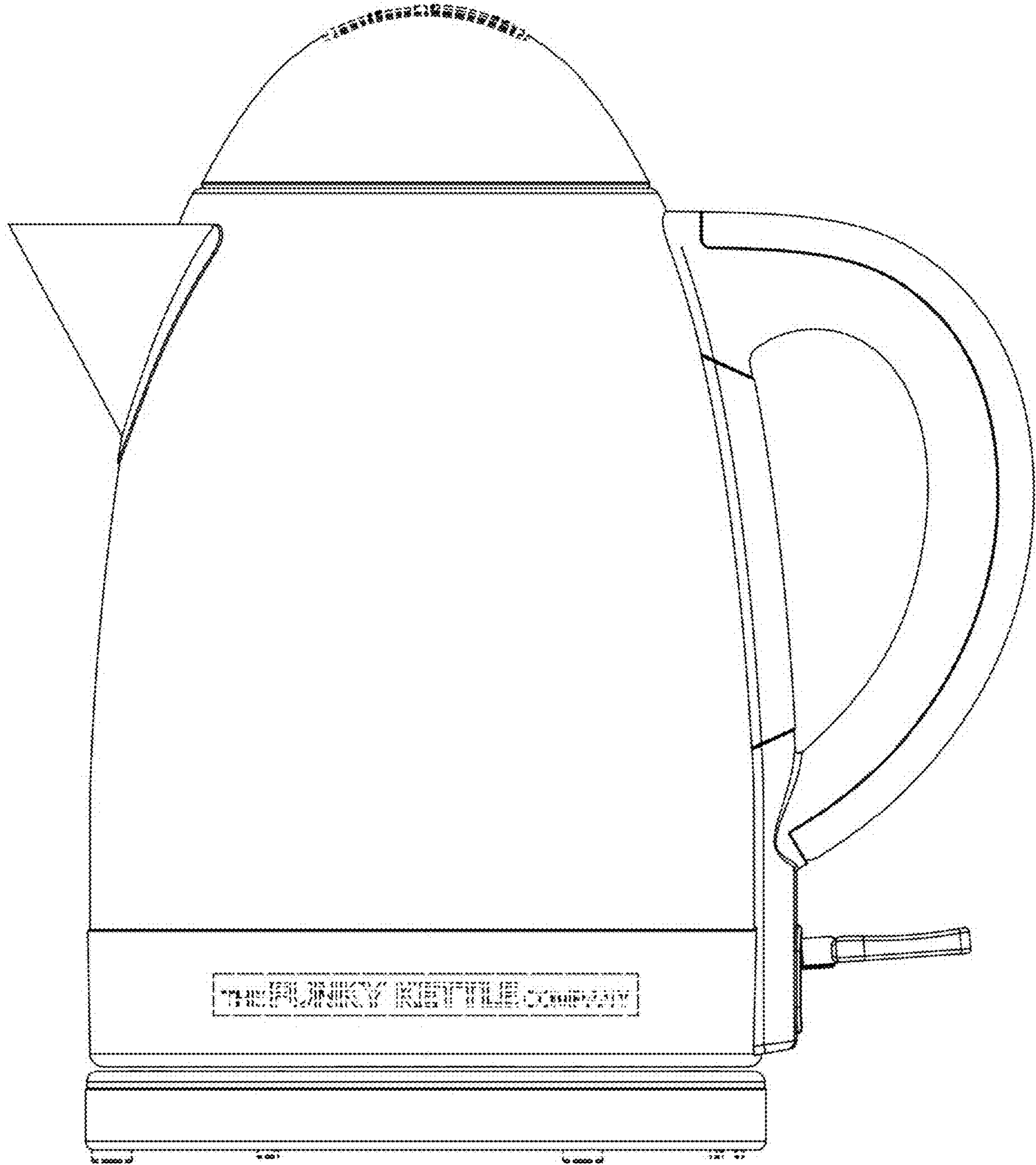
1.1



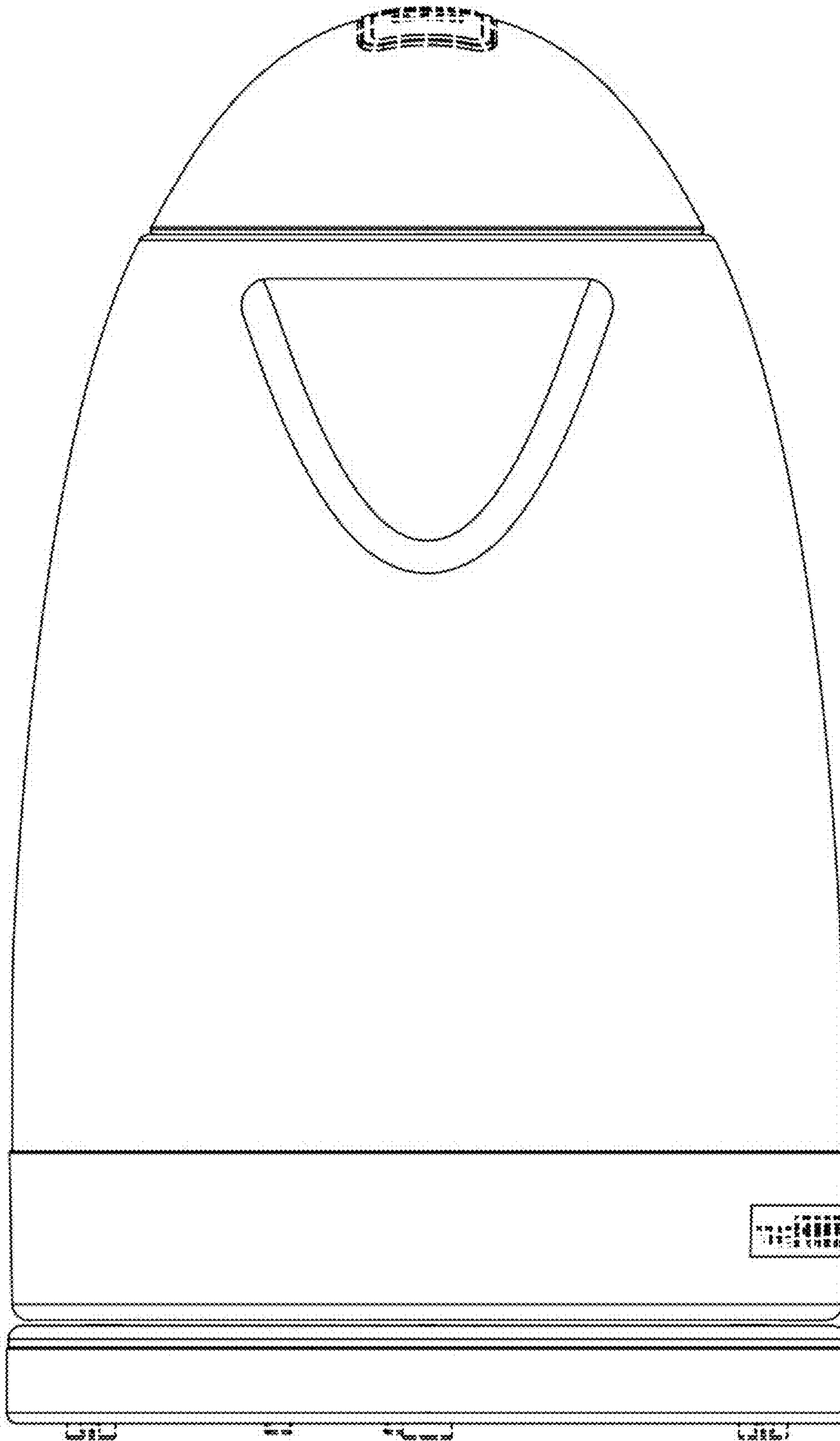
1.2



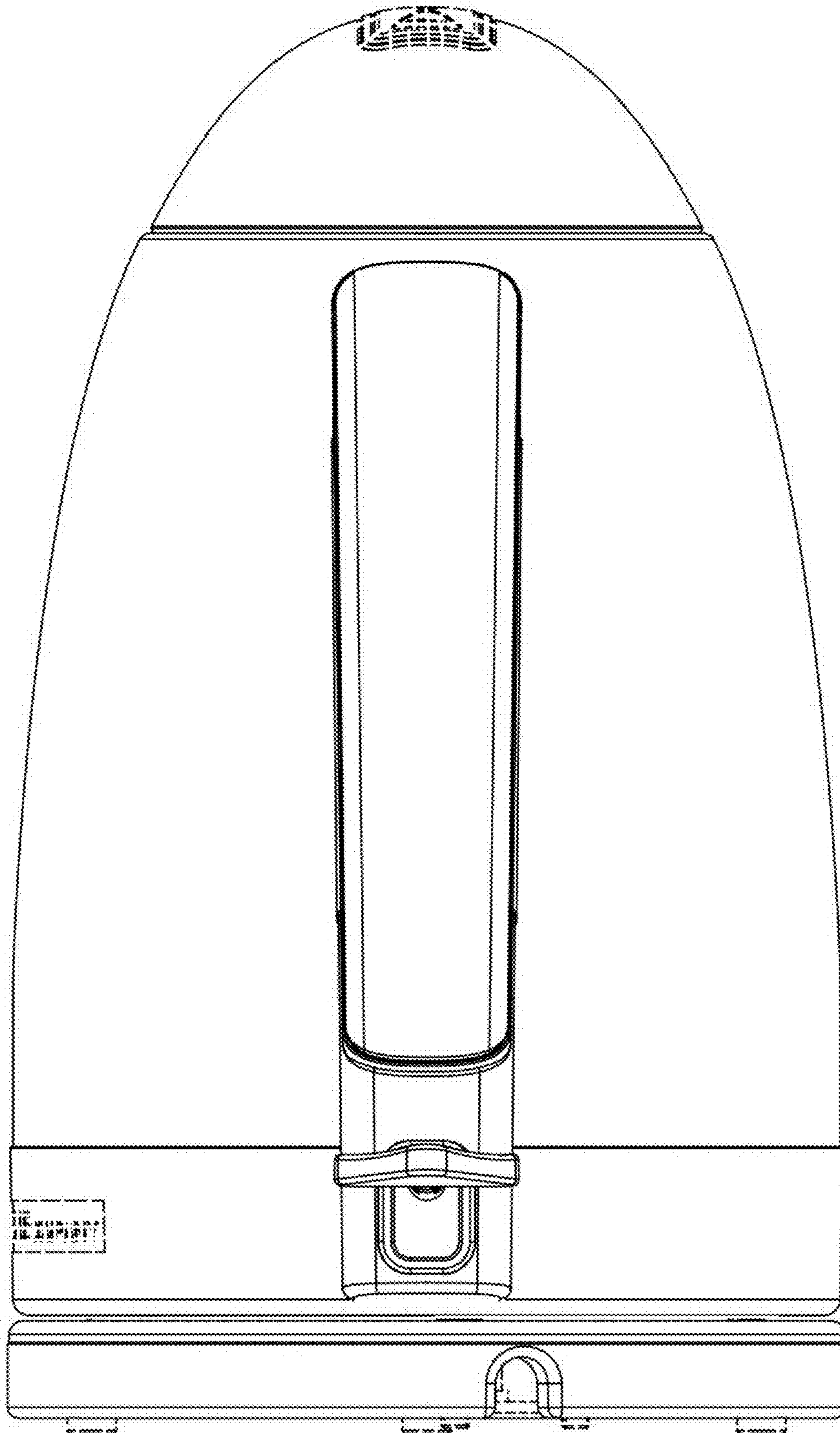
1.3



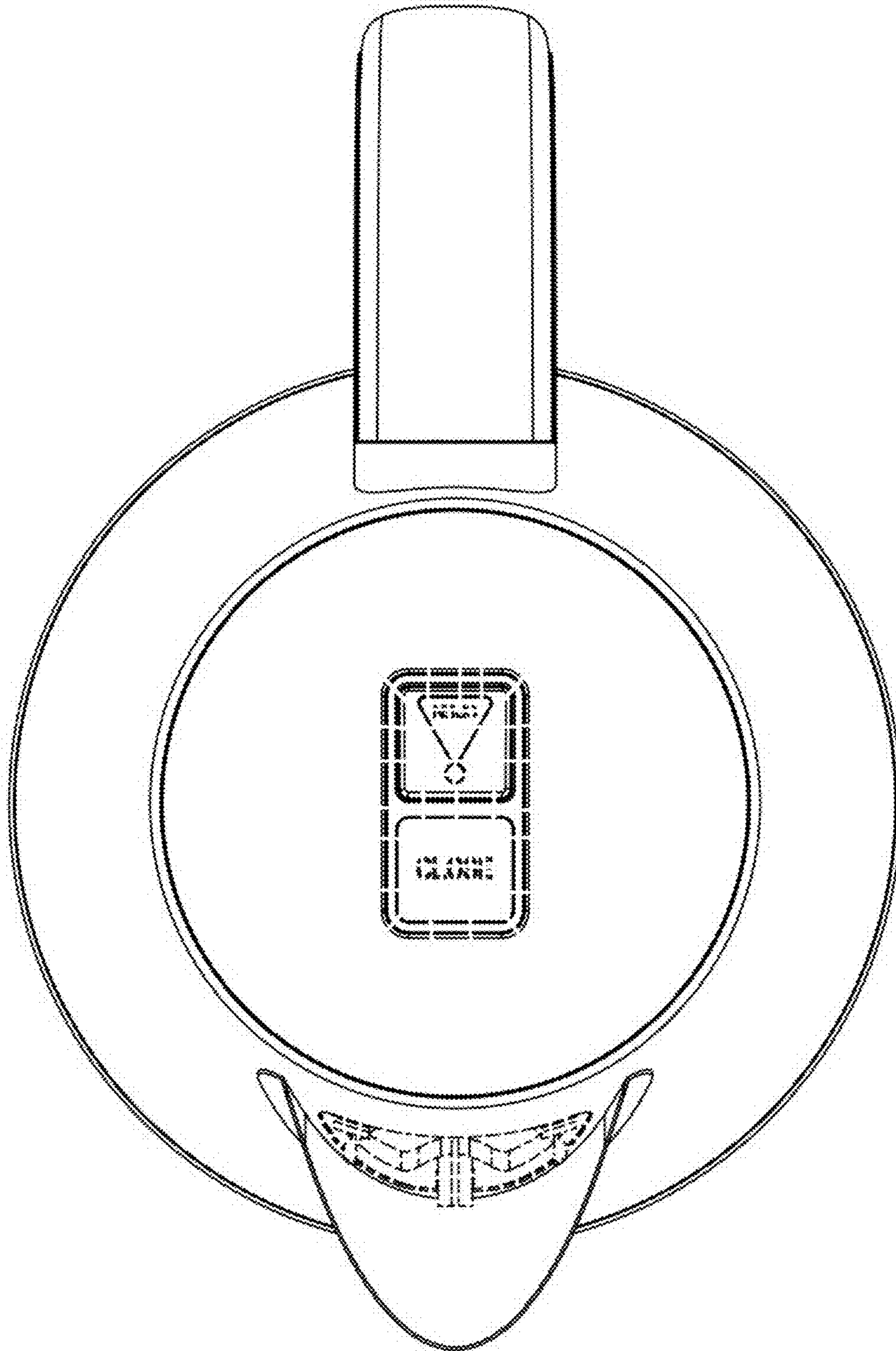
1.4



1.5



1.6



1.7

