



US00D957174S

(12) **United States Design Patent** (10) **Patent No.:** **US D957,174 S**
Wang (45) **Date of Patent:** **** Jul. 12, 2022**

(54) **HAMMOCK STAND**

(71) Applicant: **NINGBO DANLONG FURNITURE CO., LTD**, Ningbo (CN)

(72) Inventor: **Jiadong Wang**, Ningbo (CN)

(**) Term: **15 Years**

(21) Appl. No.: **29/791,369**

(22) Filed: **Jan. 10, 2022**

(30) **Foreign Application Priority Data**

Dec. 7, 2021 (CN) 202130806558.X

(51) **LOC (13) Cl.** **06-06**

(52) **U.S. Cl.**
USPC **D6/718.12**

(58) **Field of Classification Search**
USPC D6/387, 388, 389, 718.1, 718.11, 718.12;
D21/834
CPC . A45F 3/24; A45F 3/22; A47C 3/0255; E04H
15/425; E04H 15/324
See application file for complete search history.

(56) **References Cited**

U.S. PATENT DOCUMENTS

292,204	A *	1/1884	Cook	A45F 3/24 5/127
298,515	A *	5/1884	Sutphen	A45F 3/24 135/96
324,128	A *	8/1885	Lindblom	A45F 3/24 135/96
328,074	A *	10/1885	Smith	A45F 3/24 135/96
363,223	A *	5/1887	Ferguson	A45F 3/24 135/96
381,025	A *	4/1888	Parmelee	A45F 3/24 135/96
404,614	A *	6/1889	Gifford	A45F 3/24 135/96

(Continued)

OTHER PUBLICATIONS

“BalanceForm Double Hammock with Space Saving Steel Stand.”
Found online May 13, 2022 at www.amazon.com. Product first available Oct. 6, 2020. Retrieved from URL: <https://www.amazon.com/BalanceForm-Portable-Carrying-450-Pound-Capacity/dp/B08KSJDSW2> (Year: 2020).*

(Continued)

Primary Examiner — Mary Ann Calabrese

Assistant Examiner — Katelin G Kloberg

(74) *Attorney, Agent, or Firm* — Zhihua Han; Wen IP LLC

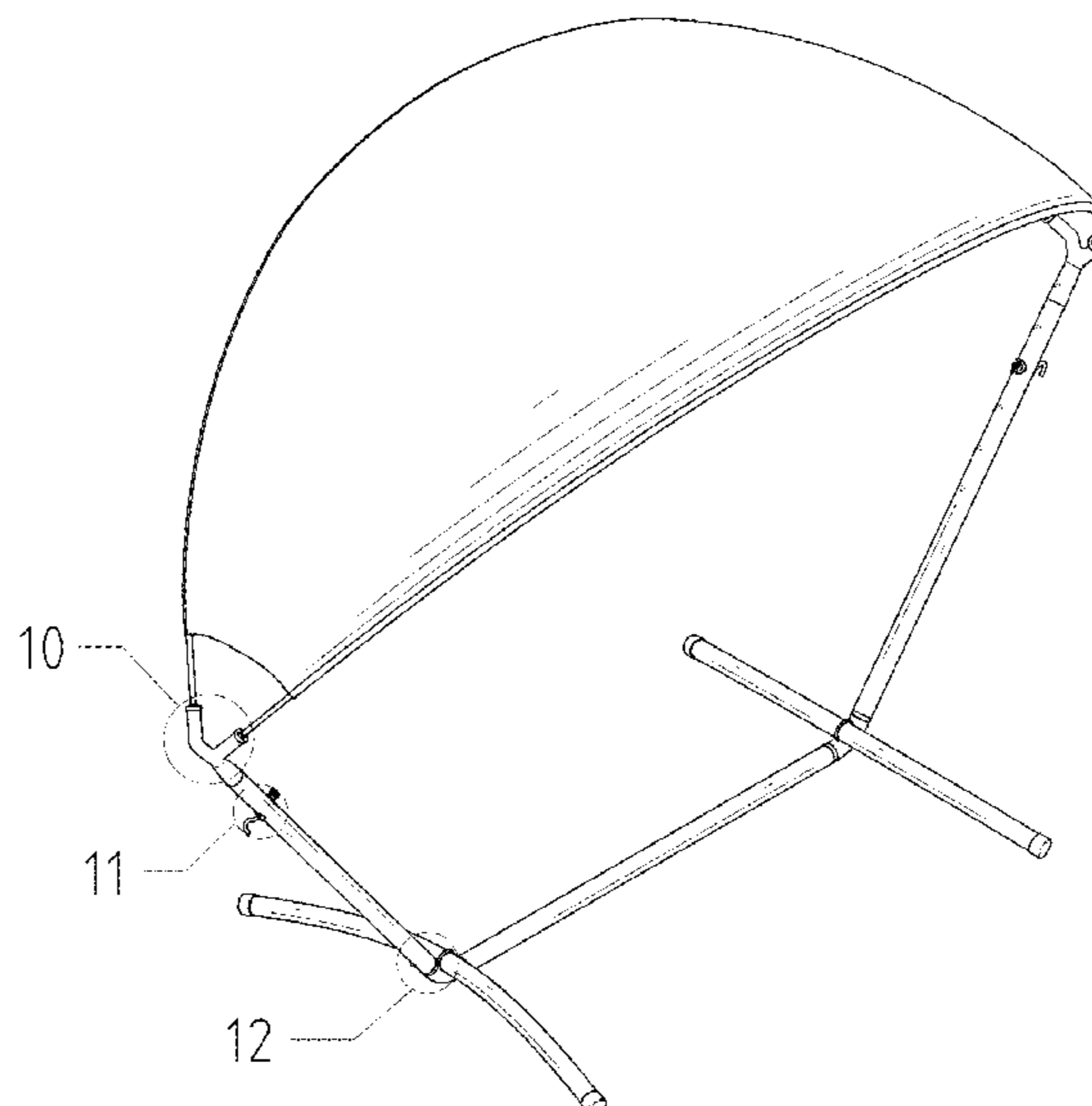
(57) **CLAIM**

The ornamental design for a hammock stand, as shown and described.

DESCRIPTION

FIG. 1 is a top perspective view of a hammock stand, showing my new design;
FIG. 2 is a bottom perspective view thereof;
FIG. 3 is a front view thereof;
FIG. 4 is a back view thereof;
FIG. 5 is a left side view thereof;
FIG. 6 is a right side view thereof;
FIG. 7 is a top view thereof;
FIG. 8 is a bottom view thereof;
FIG. 9 is a top perspective view, showing the hammock stand within an environment of use;
FIG. 10 is an enlarged view of detail 10 in FIG. 1;
FIG. 11 is an enlarged view of detail 11 in FIG. 1;
FIG. 12 is an enlarged view of detail 12 in FIG. 1; and,
FIG. 13 is an enlarged view of detail 13 in FIG. 2.
The broken lines depict portions of the hammock stand that form no part of the claimed design. In FIG. 9, the broken lines depicting a hammock represent environmental subject matter that forms no part of the claimed design.

1 Claim, 13 Drawing Sheets



(56)

References Cited

U.S. PATENT DOCUMENTS

495,532 A * 4/1893 Travers A45F 3/22
5/121
562,803 A * 6/1896 Croft A45F 3/22
135/96
688,029 A * 12/1901 Palmer A45F 3/22
5/121
940,939 A * 11/1909 Patterson A47C 3/0255
5/129
950,070 A * 2/1910 Funke A45F 3/24
5/129
955,281 A * 4/1910 Norwood A45F 3/22
5/121
1,054,251 A * 2/1913 Stone A45F 3/24
135/96
1,400,049 A * 12/1921 Goddard A47C 17/645
5/128
2,353,220 A * 7/1944 Charlop A45F 3/24
5/128
2,581,623 A * 1/1952 Benjamin A45F 3/24
5/115
2,618,788 A * 11/1952 Cole A45F 3/24
5/128
4,229,845 A * 10/1980 de Cuadros E04H 15/324
5/127
D295,242 S * 4/1988 Frick D6/387
4,757,563 A * 7/1988 An A45F 3/24
5/128
4,846,204 A * 7/1989 Sok Kyu E04H 15/50
52/109
5,240,021 A * 8/1993 Snodgrass E04H 15/425
5/127
5,297,302 A * 3/1994 Anderson A45F 3/24
403/174
D376,275 S * 12/1996 Whittemore D6/387
5,913,772 A * 6/1999 Clark E04H 15/04
5/128

D414,957 S * 10/1999 Rajacich D6/718.1
6,353,946 B1 * 3/2002 Steiner E04H 15/04
5/120
D458,045 S * 6/2002 Tseng D6/718.2
6,842,920 B1 * 1/2005 Branch, III A45F 3/24
5/127
6,931,679 B1 * 8/2005 Tseng A61K 31/513
5/127
D597,352 S * 8/2009 Nyberg D6/718.29
D602,707 S * 10/2009 VanElverdinghe D6/389
D625,933 S * 10/2010 Grunewald D6/718.12
8,065,762 B1 * 11/2011 Ewing A45F 3/24
5/127
D683,995 S * 6/2013 Logothetis D6/718.12
D706,054 S * 6/2014 Zhou D6/387
D763,593 S * 8/2016 Butynski D6/387
D809,844 S * 2/2018 Huang D6/718.12
D879,527 S * 3/2020 Zhang D8/367
D920,025 S * 5/2021 Wang D6/718.12

OTHER PUBLICATIONS

“Kijaro All in One Portable Hammock.” Found online May 13, 2022 at www.amazon.com. Product first available Nov. 12, 2010. Retrieved from URL: <https://www.amazon.com/exec/obidos/ASIN/B003OUZ6HA> (Year: 2010).*

“Royal Botanica Surf Lounger Creates its Own Shade.” Found online May 13, 2022 at www.trendhunter.com. Page dated Jan. 15, 2011. Retrieved from URL: <https://www.trendhunter.com/trends/royal-botania-surf-lounger> (Year: 2011).*

“Mac Sports Collapsible Portable Removable Canopy Hammock.” Found online May 13, 2022 at www.amazon.com. Product reviewed Aug. 29, 2020. Retrieved from URL: <https://www.amazon.com/H806S-201-Collapsible-Portable-Removable-Hammock/dp/B08CYZXLG2> (Year: 2020).*

* cited by examiner

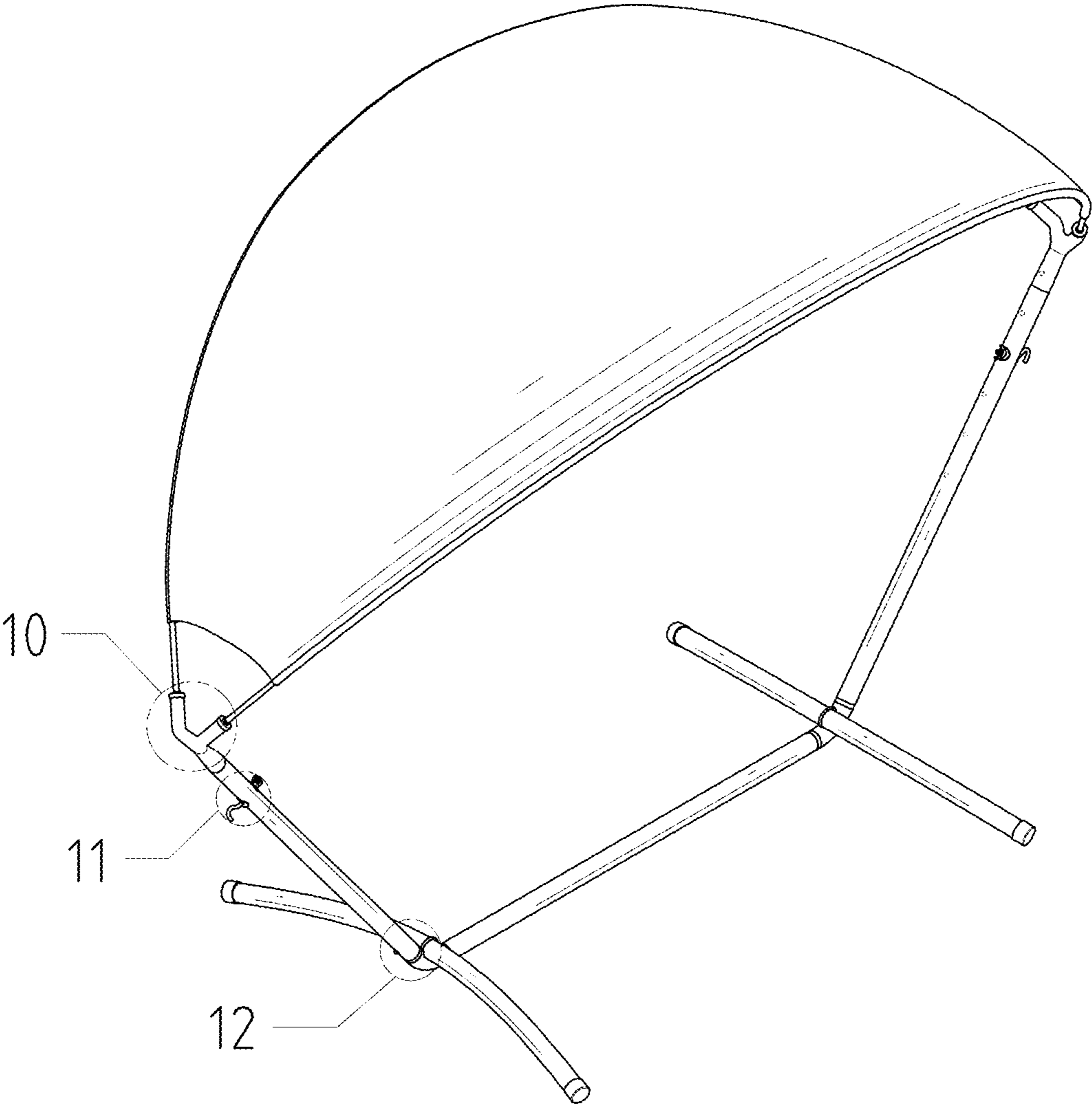


FIG. 1

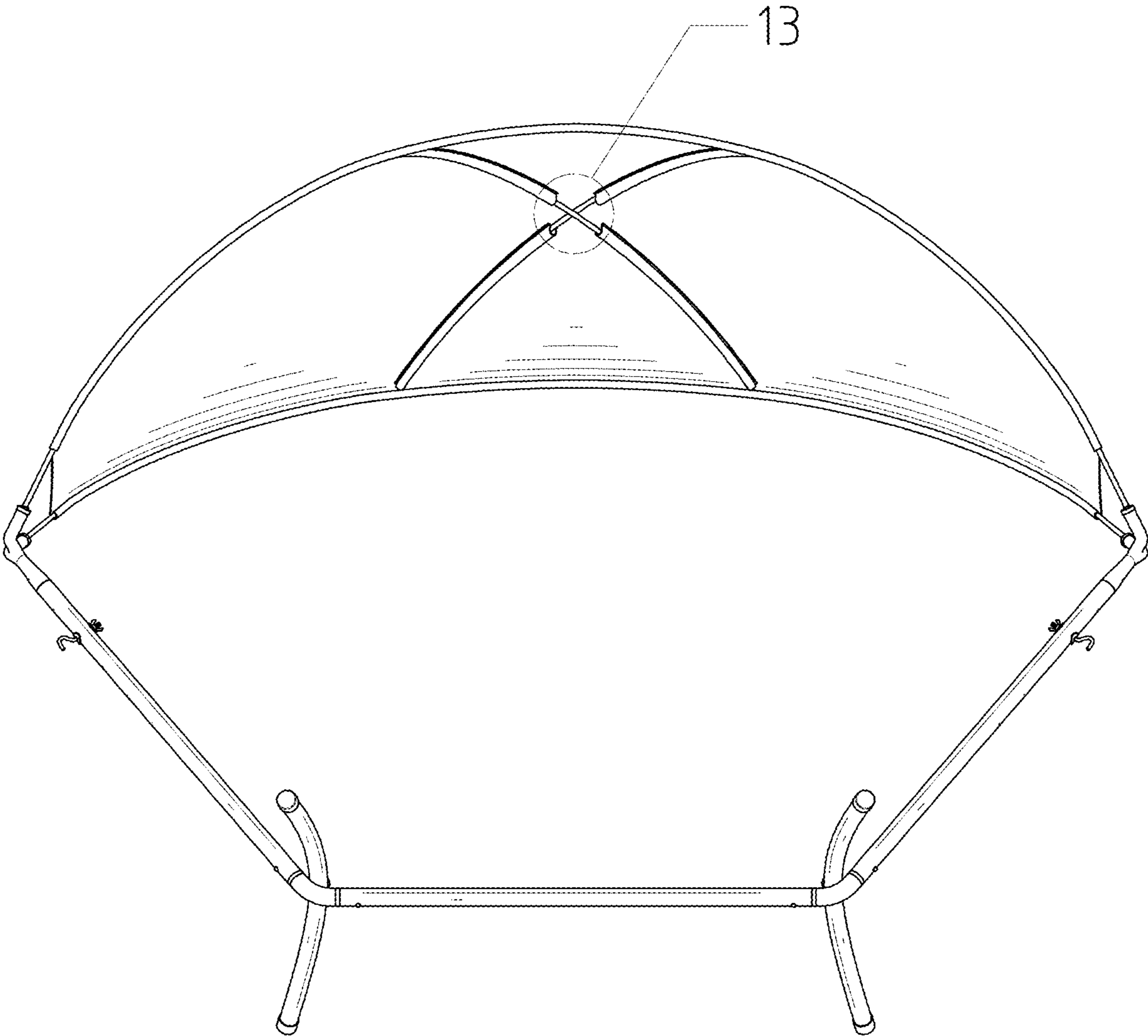


FIG. 2

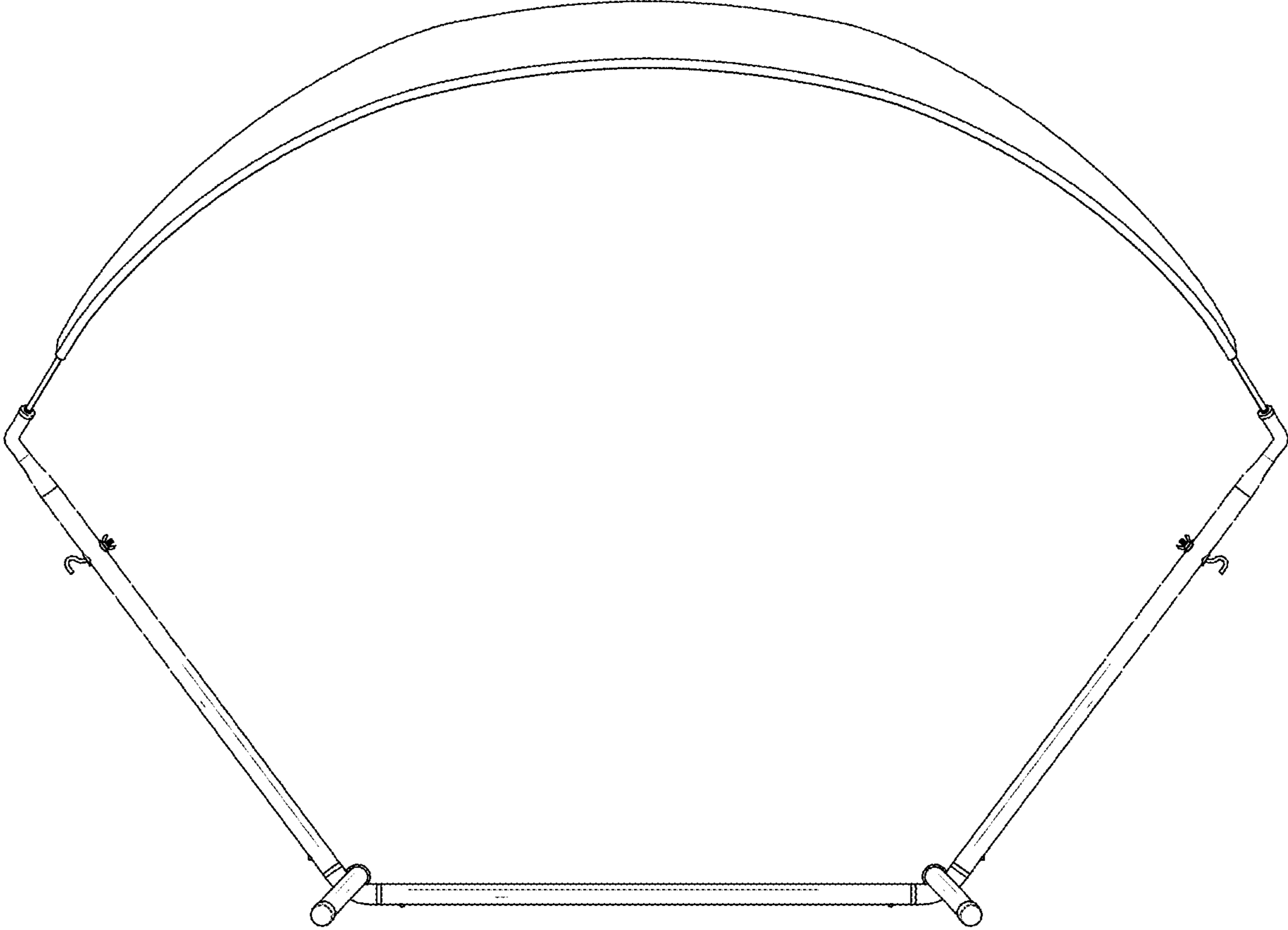


FIG. 3

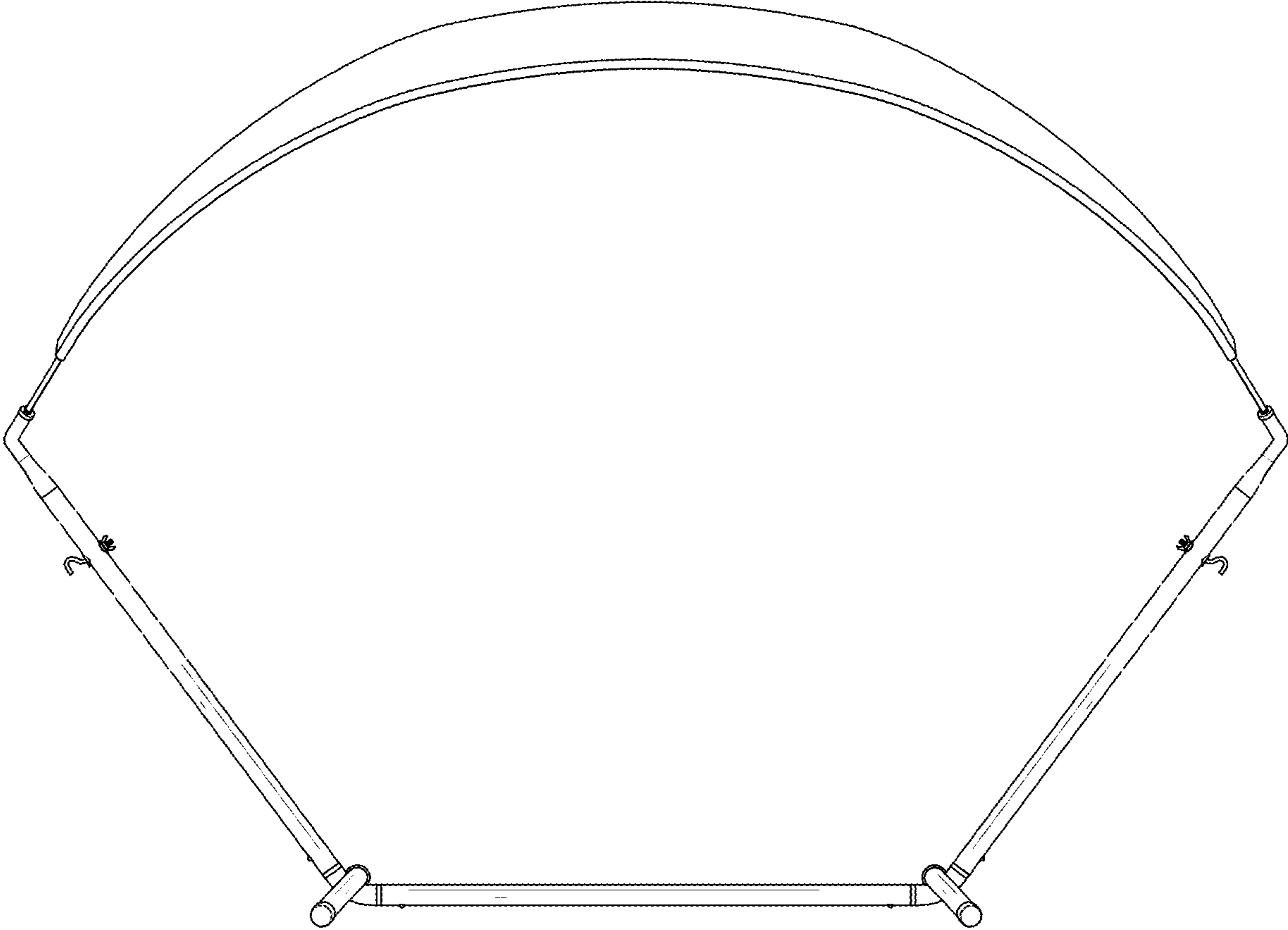


FIG. 4

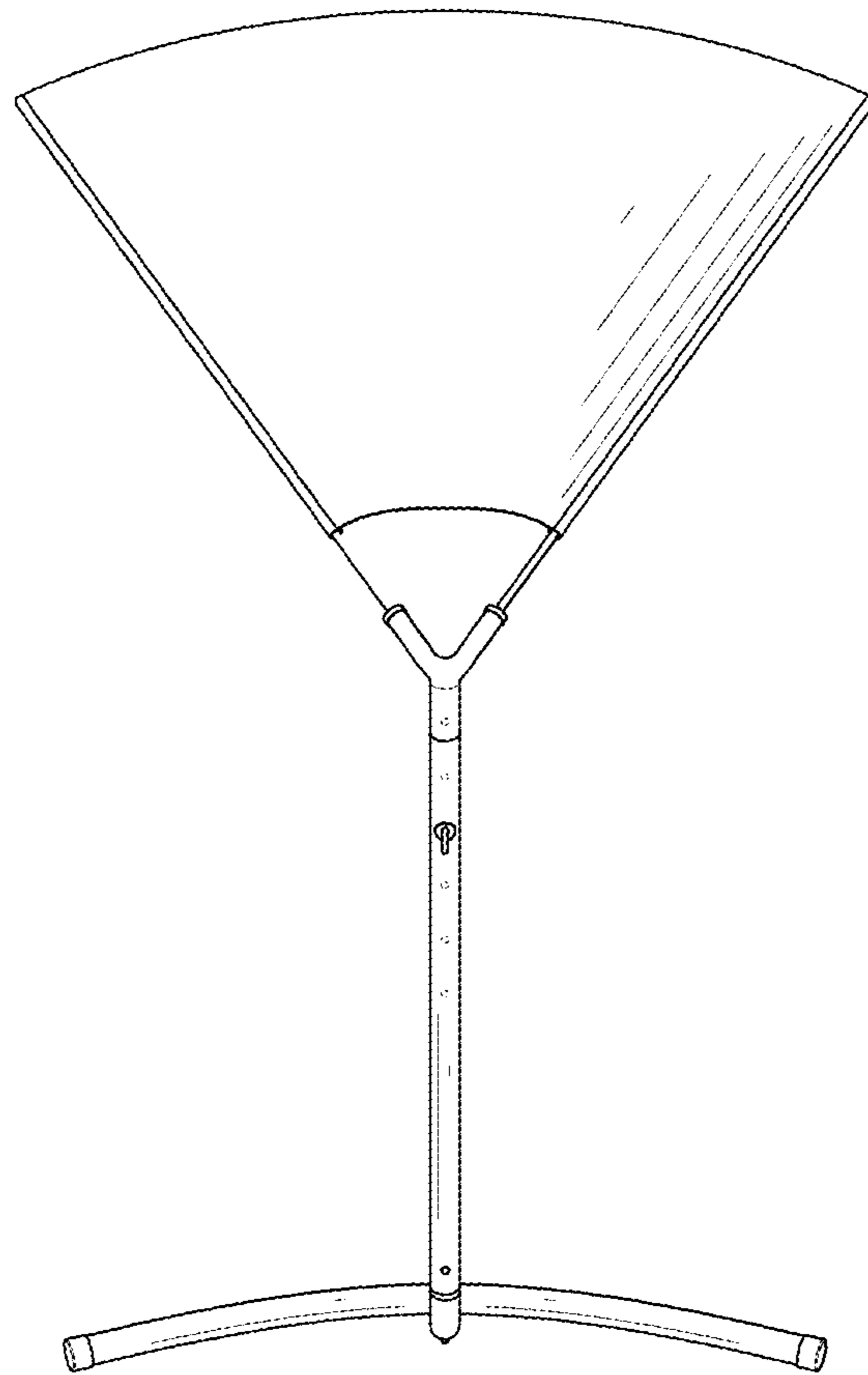


FIG. 5

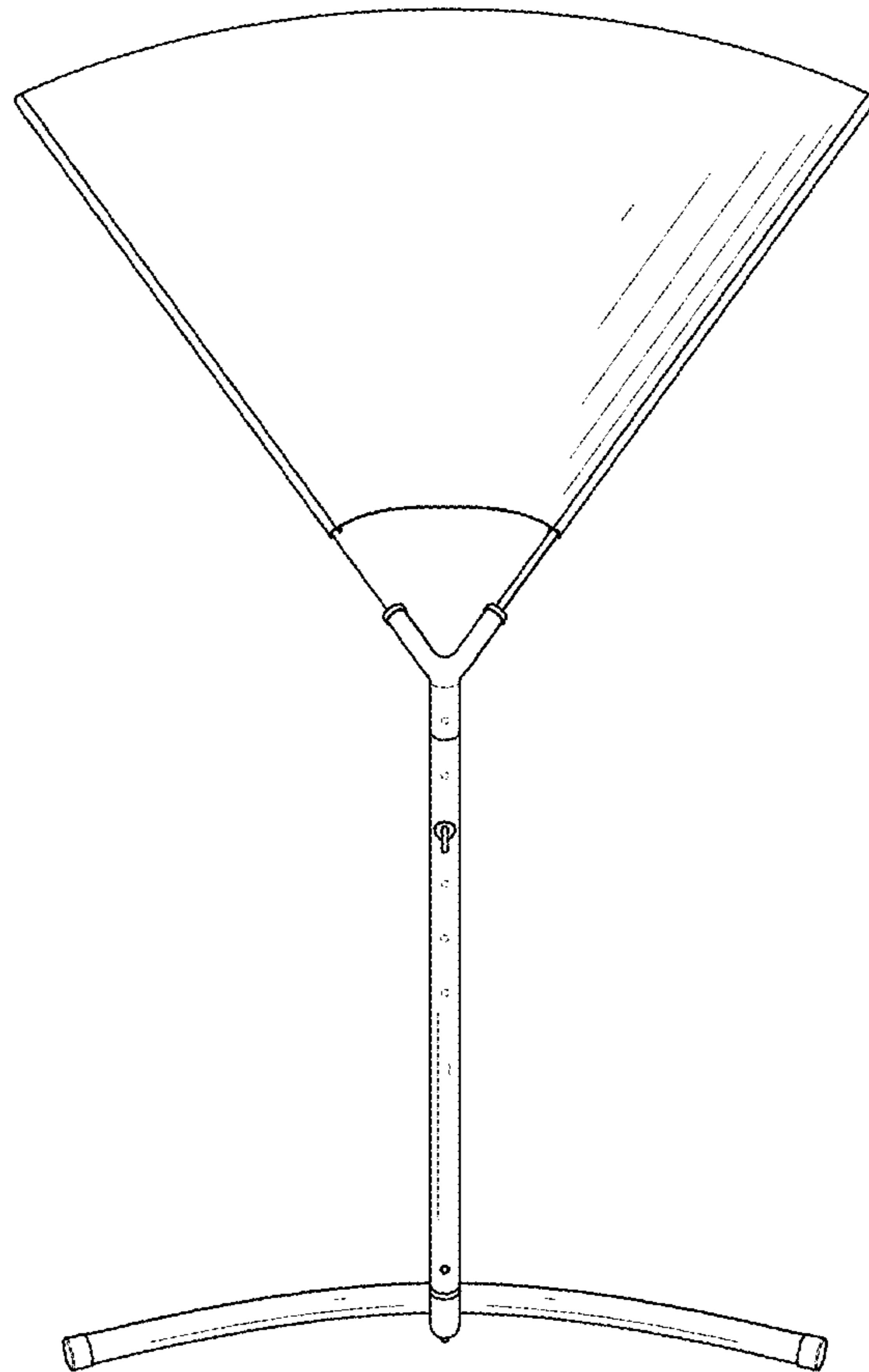


FIG. 6

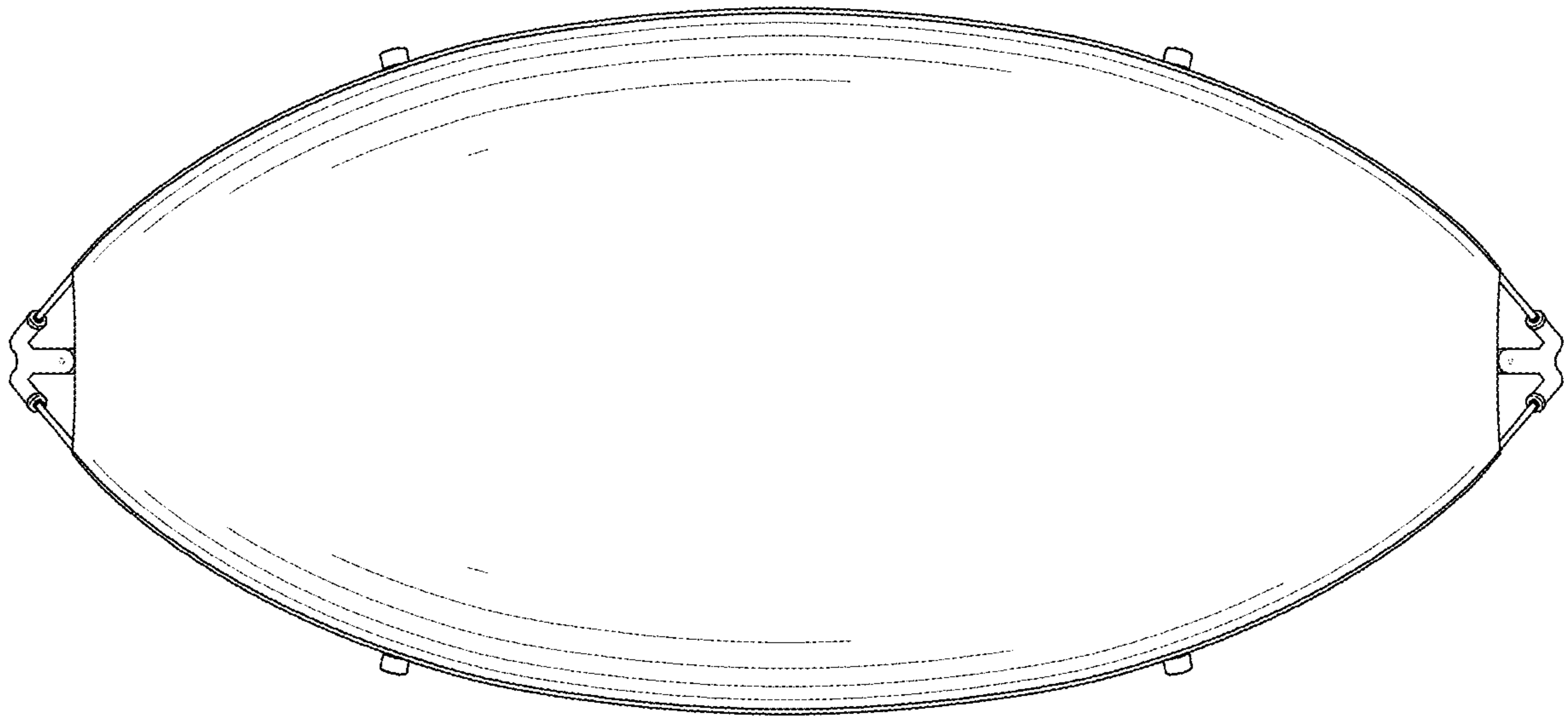


FIG. 7

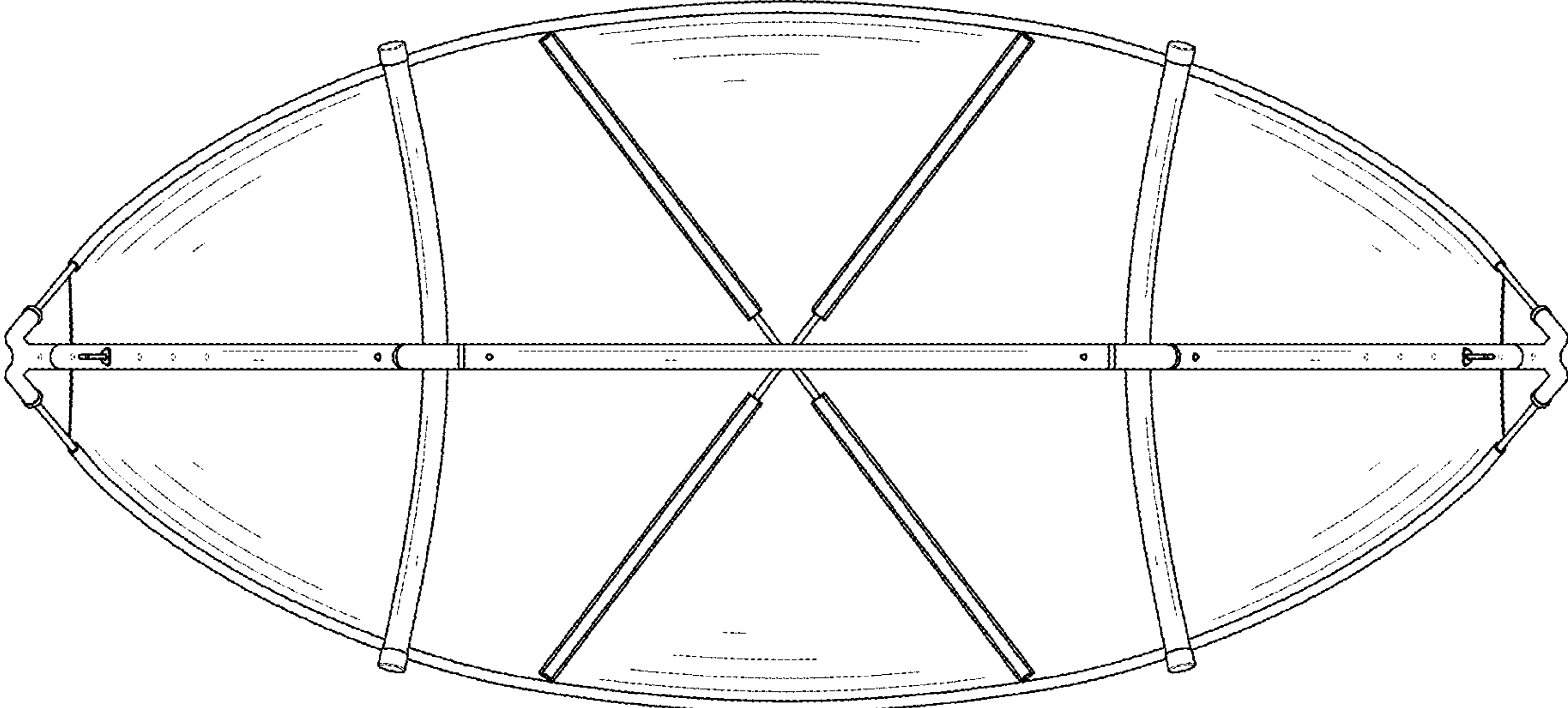


FIG. 8

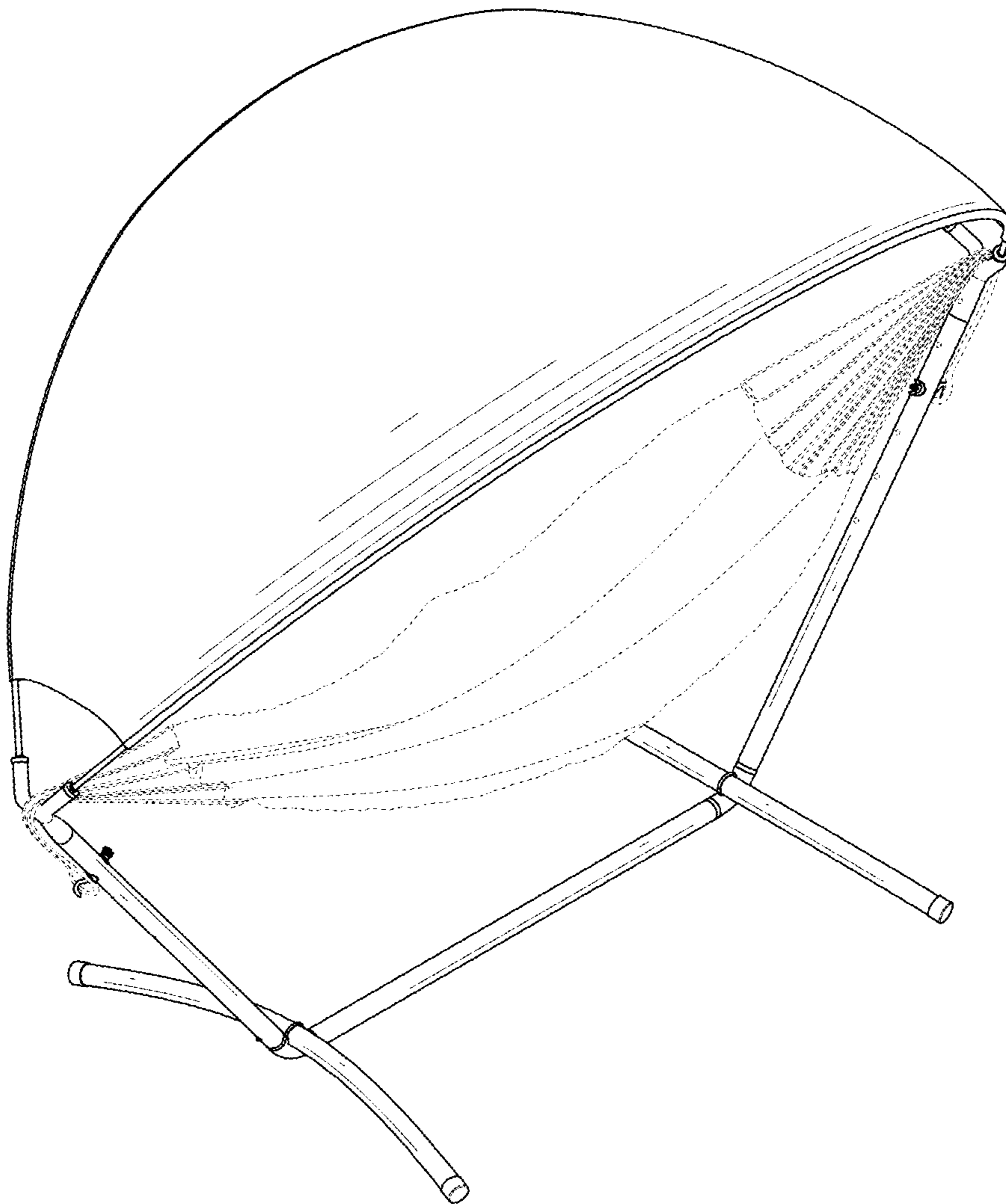


FIG. 9



FIG. 10

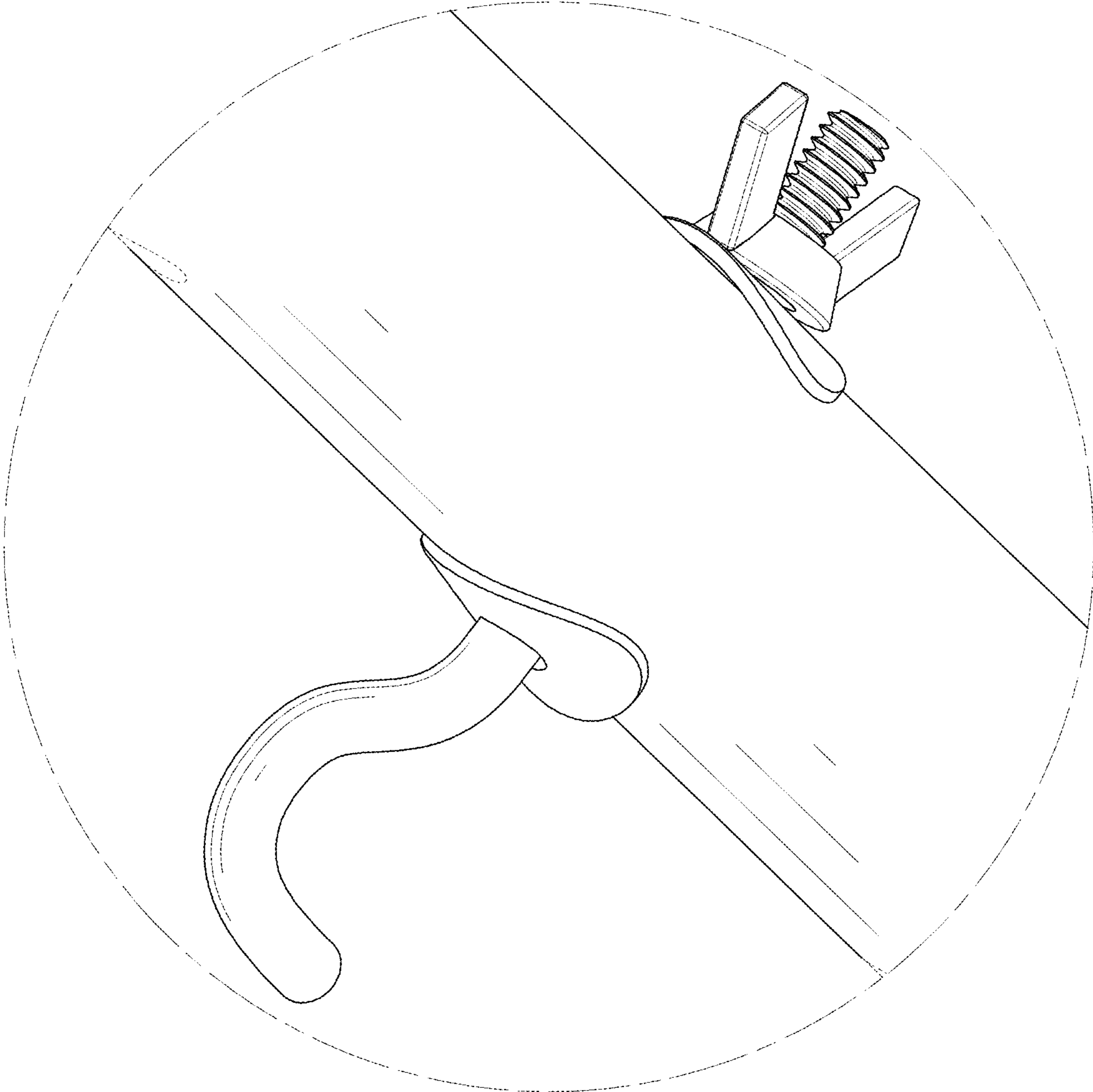


FIG. 11

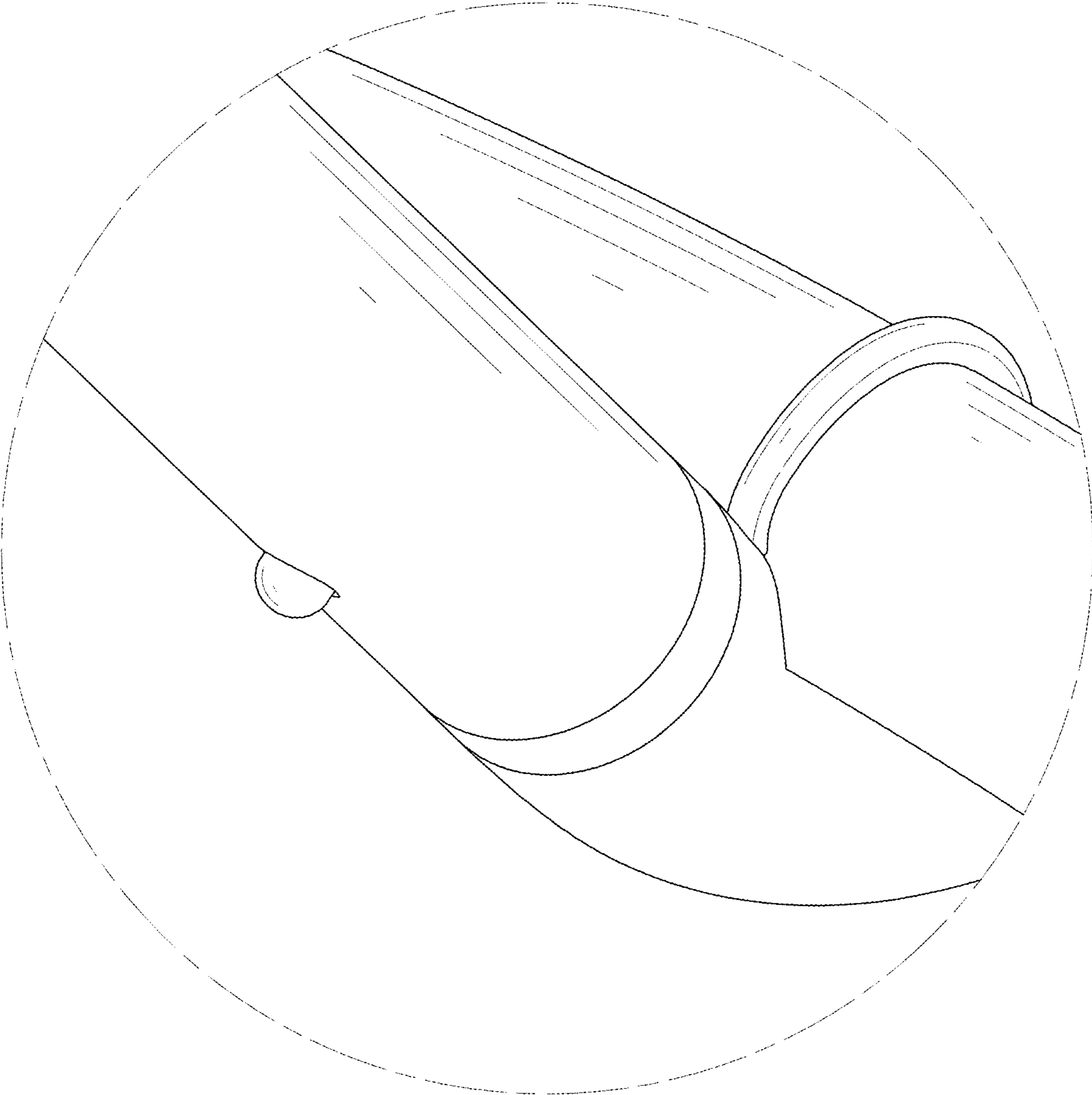


FIG. 12

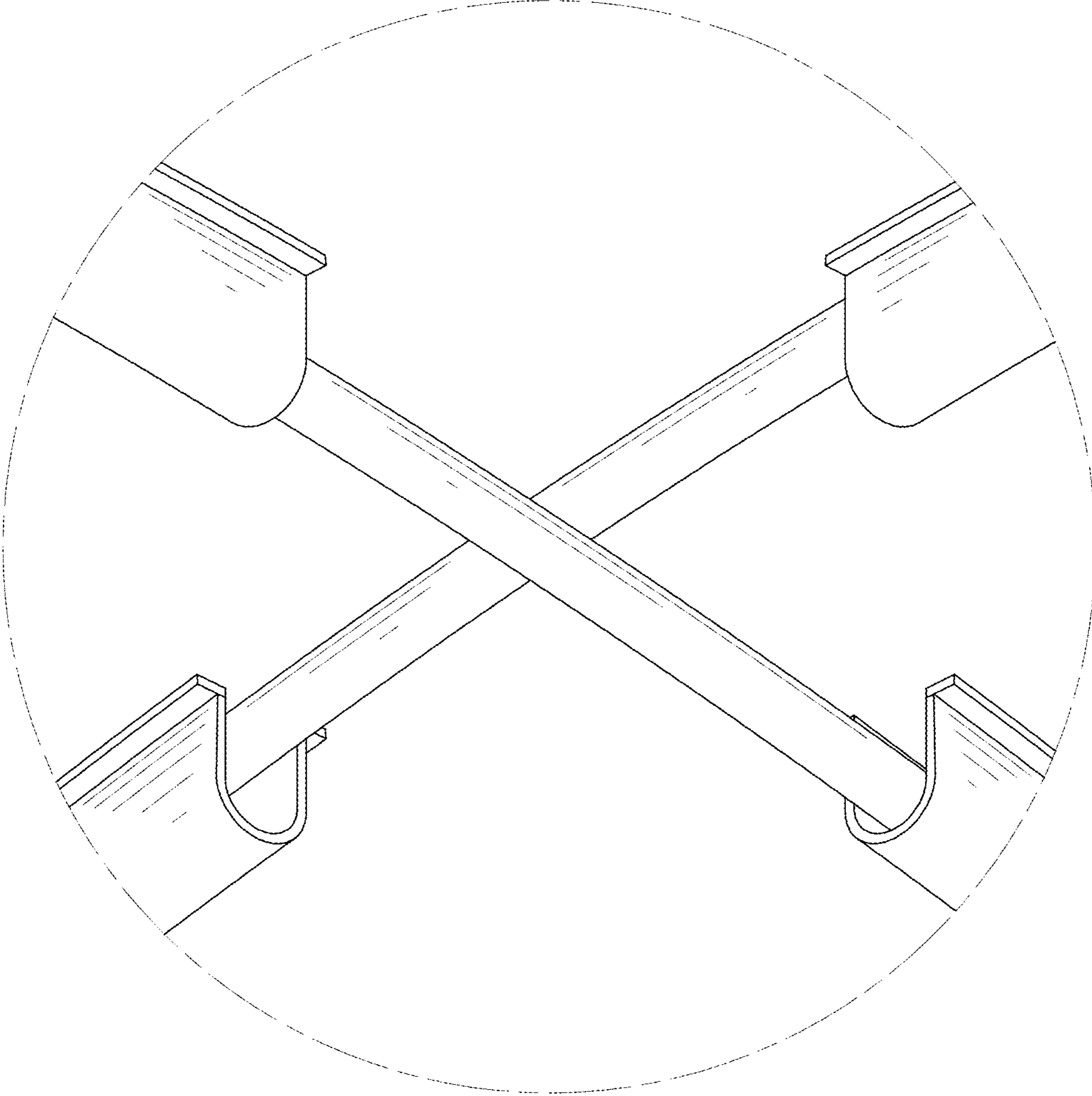


FIG. 13