



US00D957172S

(12) **United States Design Patent**  
**Gosling**

(10) **Patent No.:** **US D957,172 S**

(45) **Date of Patent:** **\*\* Jul. 12, 2022**

- (54) **FLEXIBLE CLIP CONNECTOR**
- (71) Applicant: **DIRTT Environmental Solutions, Ltd.,** Calgary (CA)
- (72) Inventor: **Geoff W. Gosling,** Calgary (CA)
- (73) Assignee: **DIRTT ENVIRONMENTAL SOLUTIONS LTD.**
- (\*\*) Term: **15 Years**
- (21) Appl. No.: **29/703,640**
- (22) Filed: **Aug. 28, 2019**
- (51) **LOC (13) Cl.** ..... **06-06**
- (52) **U.S. Cl.**  
USPC ..... **D6/682.3**
- (58) **Field of Classification Search**  
USPC ..... D6/682, 682.3; D8/349, 356, 394-395;  
D21/564  
CPC ..... F16B 1/00; F16B 2/20; F16B 2/26; H01R  
13/631; H01R 13/6315; H01R 13/74  
See application file for complete search history.

D408,348 S *	4/1999	Muniz	.....	D12/417
7,387,520 B2 *	6/2008	Gosling	.....	H01R 25/164 439/516
D673,994 S *	1/2013	Geller	.....	D16/243
D718,822 S *	12/2014	Lee	.....	D21/565
D821,854 S *	7/2018	Berman	.....	D8/356
D828,879 S *	9/2018	Tiffin	.....	D21/540
D828,880 S *	9/2018	Tiffin	.....	D21/540
D870,547 S *	12/2019	Liao	.....	D8/394
D880,638 S *	4/2020	Storch	.....	D22/108
D896,009 S *	9/2020	Holmes	.....	D6/682.3
10,898,819 B2 *	1/2021	Tiffin	.....	A63H 18/02
D911,149 S *	2/2021	Kovacs	.....	D8/349
2015/0097046 A1 *	4/2015	Lee	.....	A63H 19/30 238/151

\* cited by examiner

*Primary Examiner* — Kelley A Donnelly

(74) *Attorney, Agent, or Firm* — Workman Nydegger

(57) **CLAIM**

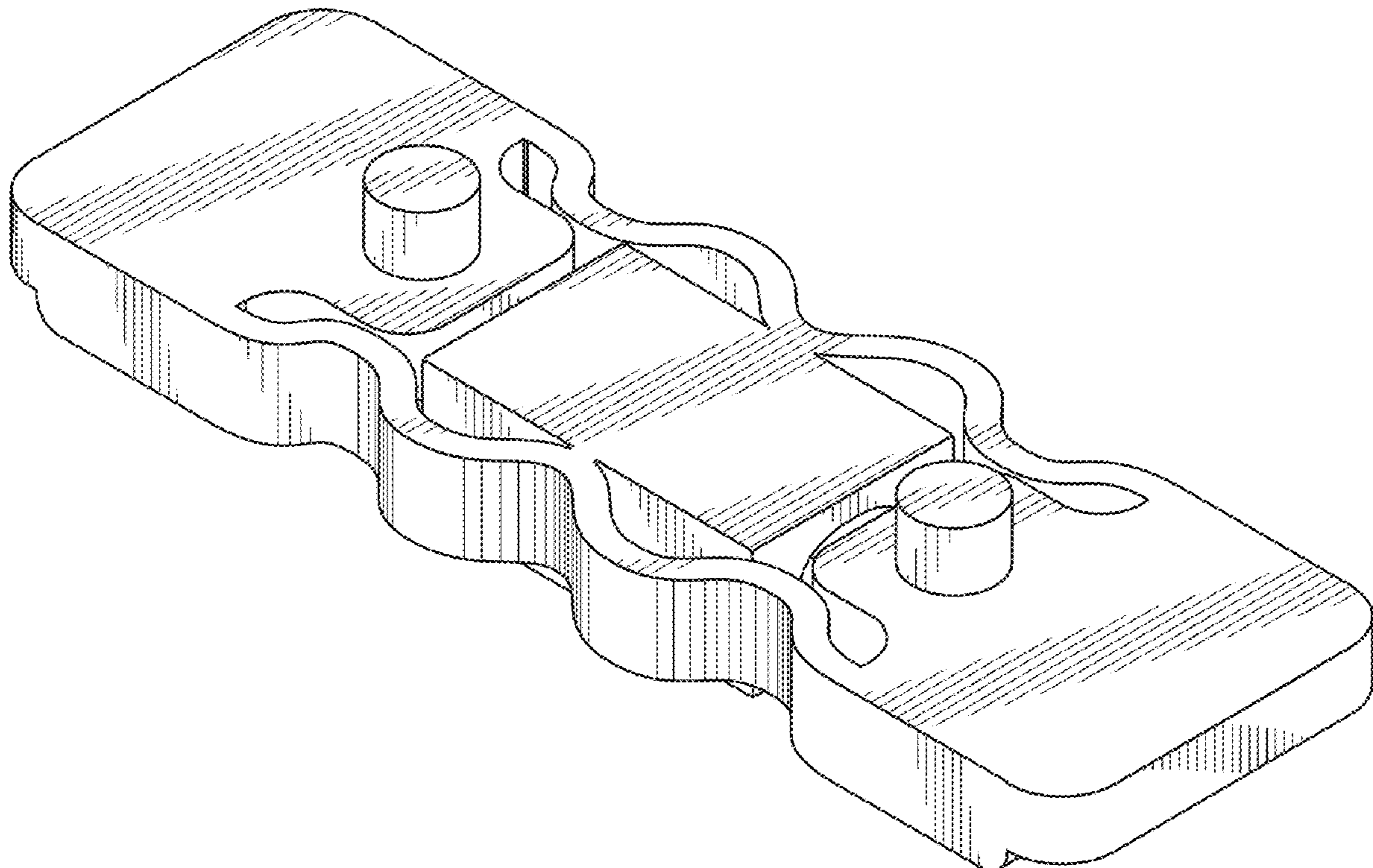
The ornamental design for a flexible clip connector, as shown and described.

**DESCRIPTION**

FIG. 1 is a perspective view of the flexible clip connector showing the design;  
 FIG. 2 is a left side elevational view thereof;  
 FIG. 3 is a right side elevational view thereof;  
 FIG. 4 is a rear plan view thereof;  
 FIG. 5 is a front plan view thereof;  
 FIG. 6 is a first end elevational view thereof; and,  
 FIG. 7 is a second end elevational view thereof.

**1 Claim, 2 Drawing Sheets**

- (56) **References Cited**  
U.S. PATENT DOCUMENTS
- |               |         |         |       |                        |
|---------------|---------|---------|-------|------------------------|
| D265,048 S *  | 6/1982  | Guardia | ..... | D8/394                 |
| D357,400 S *  | 4/1995  | Sachs   | ..... | D8/356                 |
| 5,579,997 A * | 12/1996 | Jackson | ..... | A63H 18/02<br>238/10 F |
| 5,794,846 A * | 8/1998  | Barrett | ..... | A63H 19/30<br>104/126  |



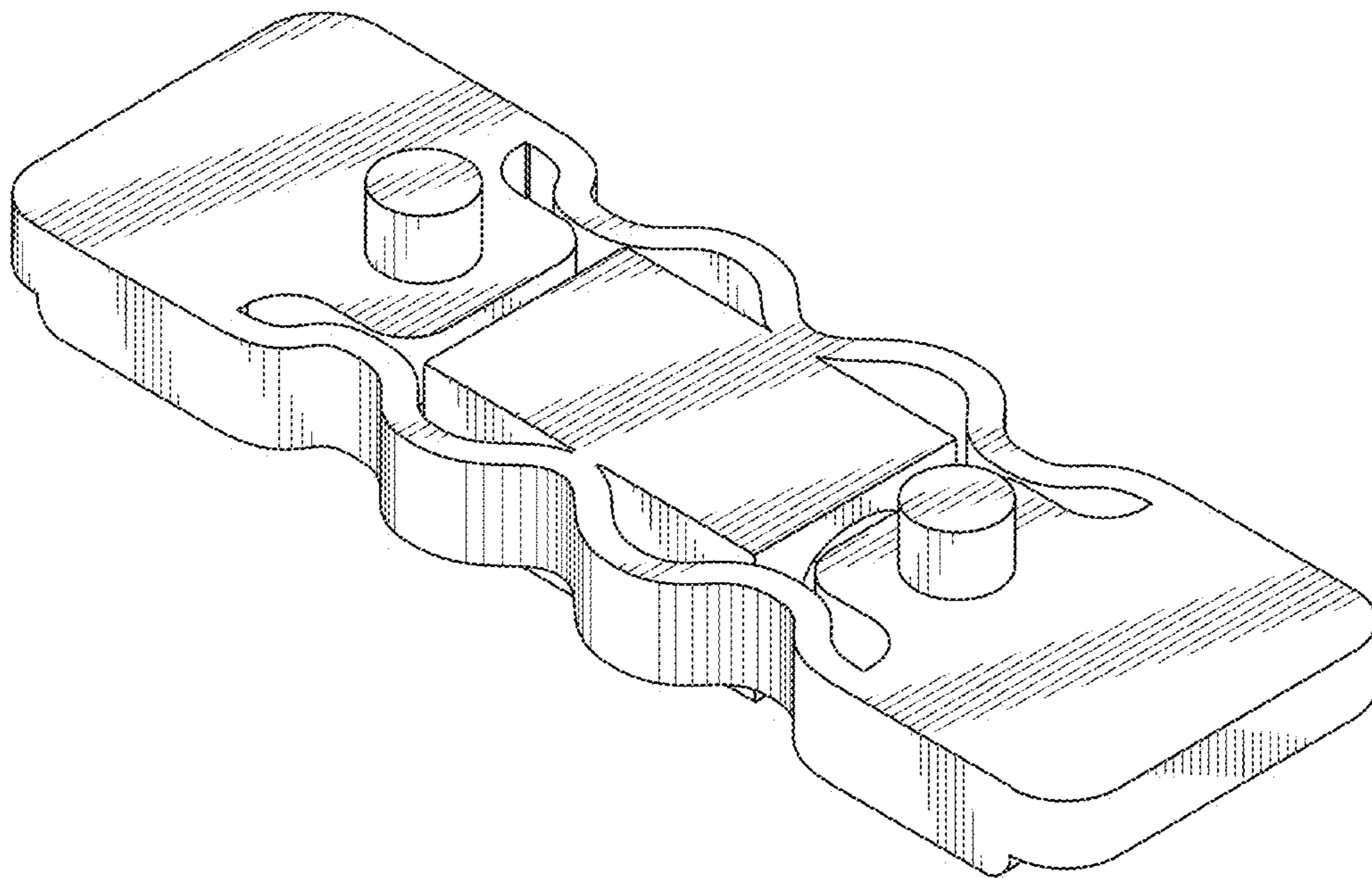


FIG. 1

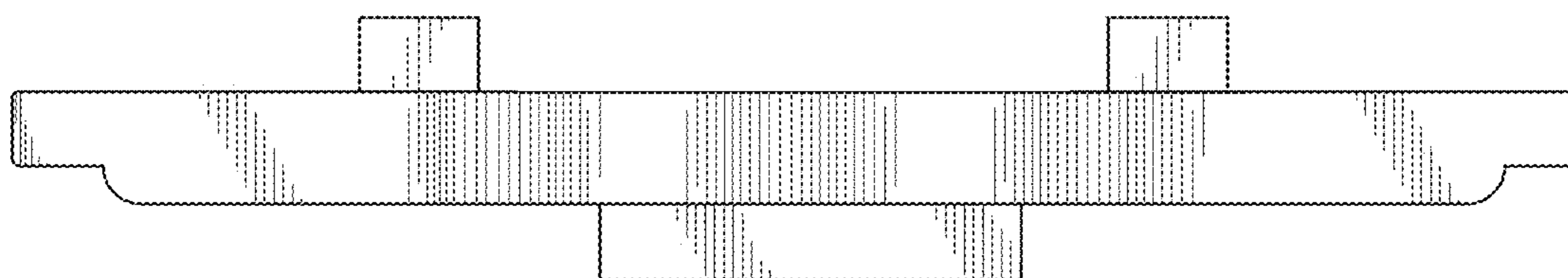


FIG. 2

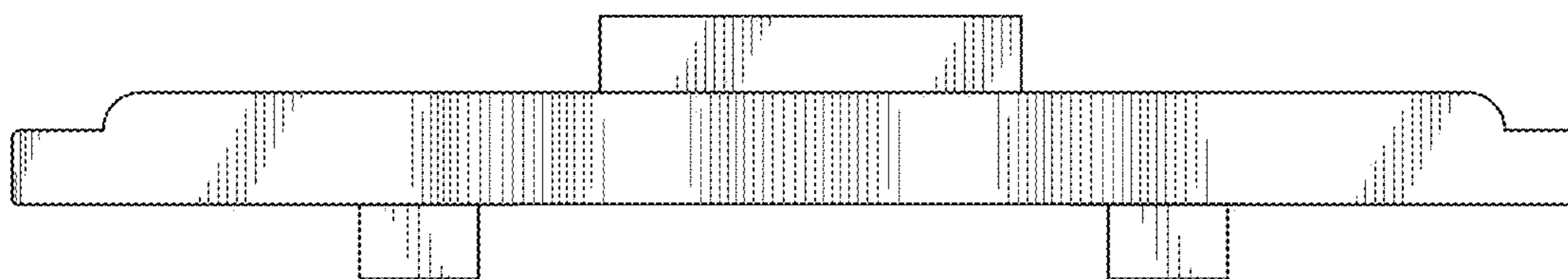


FIG. 3

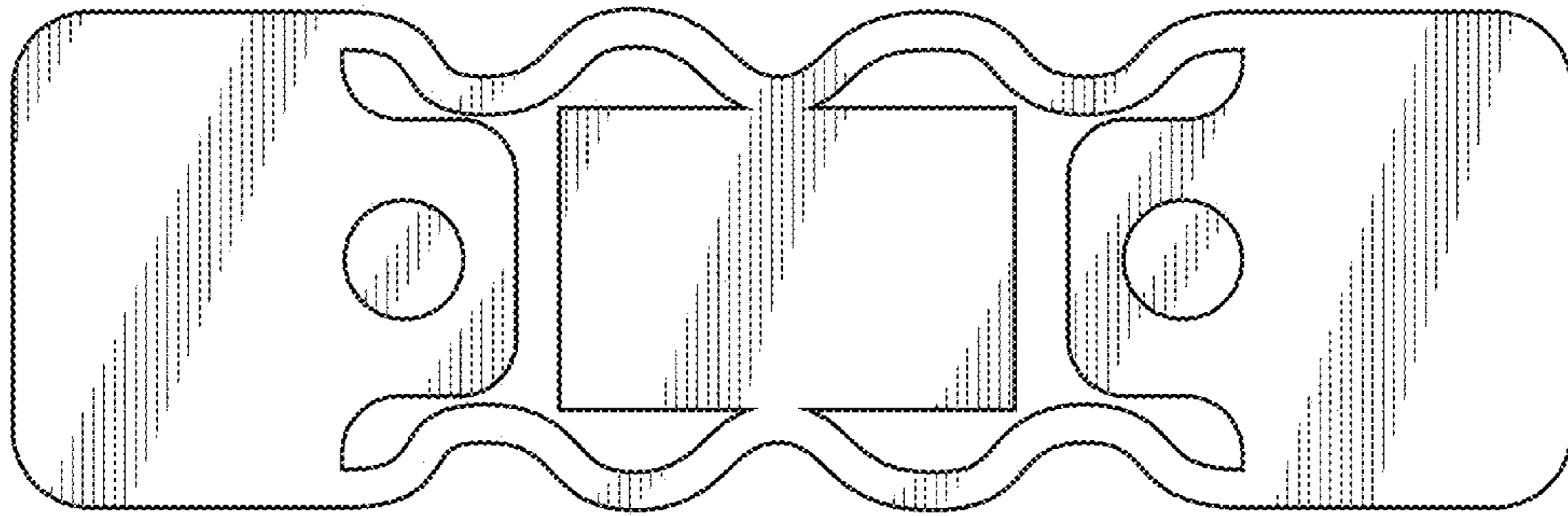


FIG. 4

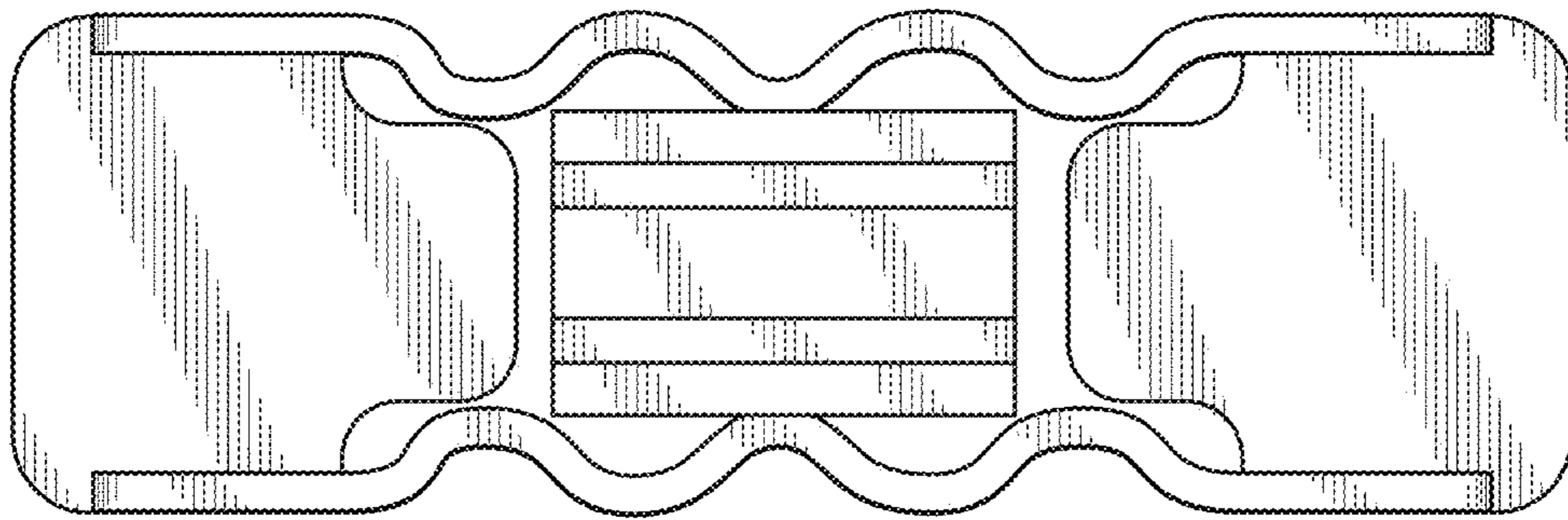


FIG. 5

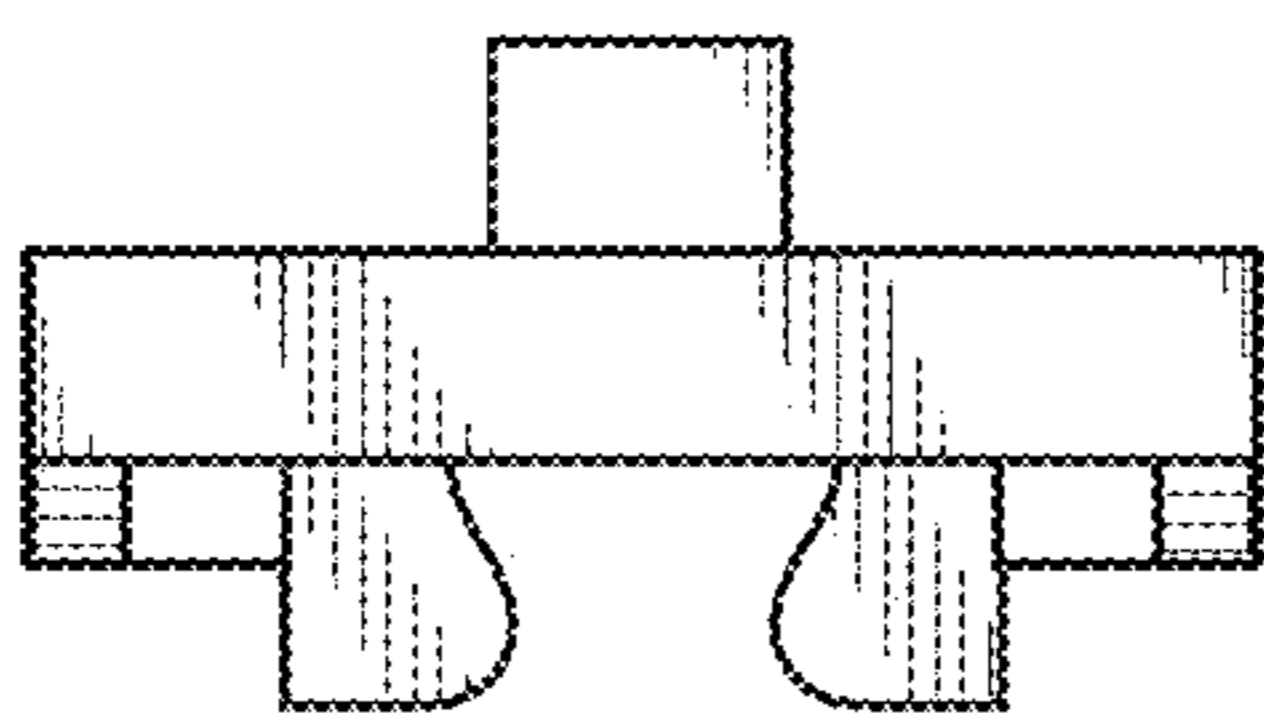


FIG. 6

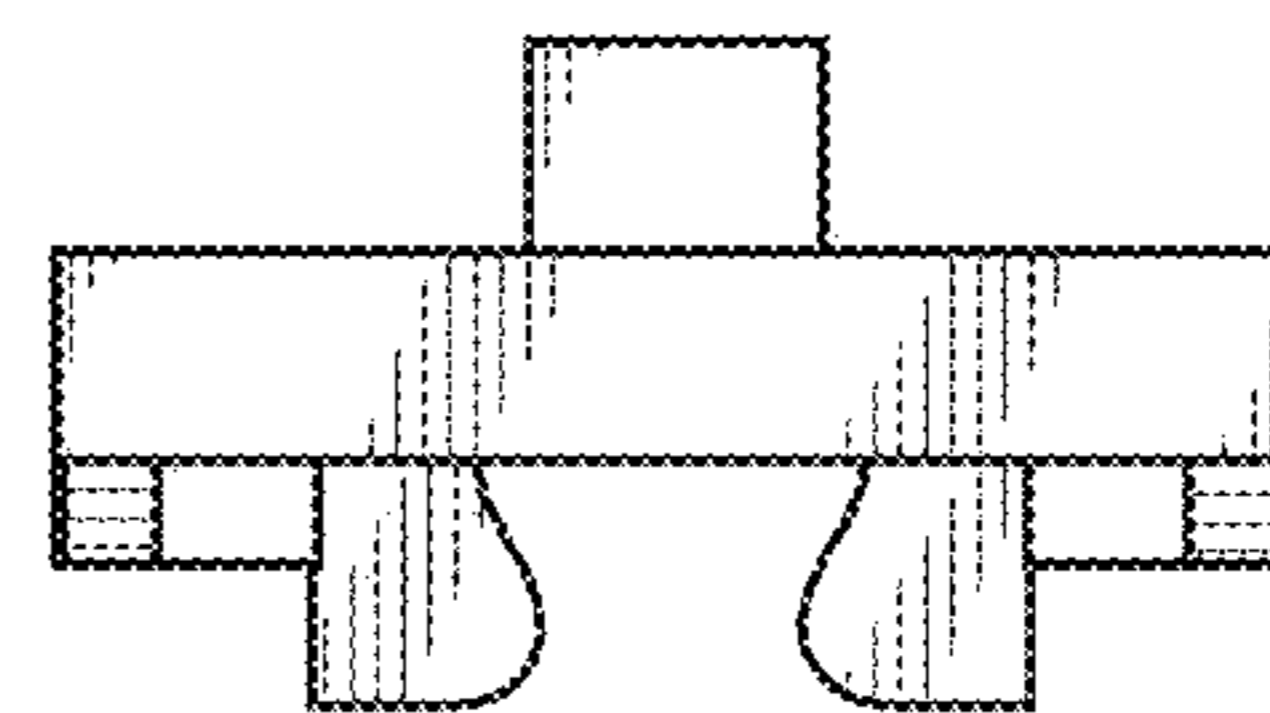


FIG. 7