



US00D957171S

(12) **United States Design Patent** (10) **Patent No.:** **US D957,171 S**
Smith (45) **Date of Patent:** **** Jul. 12, 2022**

(54) **SHELF**
(71) Applicant: **Jared Smith**, Riverview, FL (US)
(72) Inventor: **Jared Smith**, Riverview, FL (US)
(**) Term: **15 Years**
(21) Appl. No.: **29/750,989**
(22) Filed: **Sep. 17, 2020**
(51) **LOC (13) Cl.** **06-04**
(52) **U.S. Cl.**
USPC **D6/682.2**; D6/682; D6/553
(58) **Field of Classification Search**
USPC D6/512-514, 546, 566, 552, 553, 567,
D6/569, 315, 320, 327, 301, 303, 307,
D6/672, 563, 524, 574, 323, 570, 675,
D6/681, 682, 683, 572, 682.4; D8/349,
D8/354, 367, 372, 300, 373; D17/20;
D20/10, 19, 42; D11/131, 132;
211/87.01, 88.04, 89.01, 90.01, 85, 85.3,
211/30, 32, 63; 248/300, 309.1, 316.8;
40/745, 364
CPC A47G 29/00; A47G 29/08; A47G 29/10;
A47G 29/04; A47B 57/00; A47B 47/00;
A47B 47/04; A47B 81/00; G10G 5/005;
A47K 10/10
See application file for complete search history.

D829,538 S * 10/2018 Kim D8/367
D846,304 S * 4/2019 Allen D6/574
D851,965 S * 6/2019 Chiang D6/672
D872,500 S * 1/2020 Chiang D6/574
D901,217 S * 11/2020 Li D6/682.4
D901,933 S * 11/2020 Chiang D6/553
D920,003 S * 5/2021 Pan D6/572
D921,101 S * 6/2021 Tang D8/373
D921,747 S * 6/2021 Tang D8/373
D937,005 S * 11/2021 Lai D6/574
(Continued)

OTHER PUBLICATIONS

Double Guitar Holder Wall Mount. Smith Farm Co. (online) 9 pgs.
Available Aug. 9, 2021. [Retrieved Feb. 17, 2022] https://www.amazon.com/Double-Accessories-Hangers-Ukulele-Hanging/dp/B09312ZZQX/ref=sr_1_3?m=A1GGM76D1BQ9CF&qid=1644876169&ref%2%80%A6 (Year: 2021).*
(Continued)

Primary Examiner — Marie D. Fast Horse
Assistant Examiner — Jennifer Sierra Yosinski
(74) *Attorney, Agent, or Firm* — Gulf Coast Intellectual Property Group

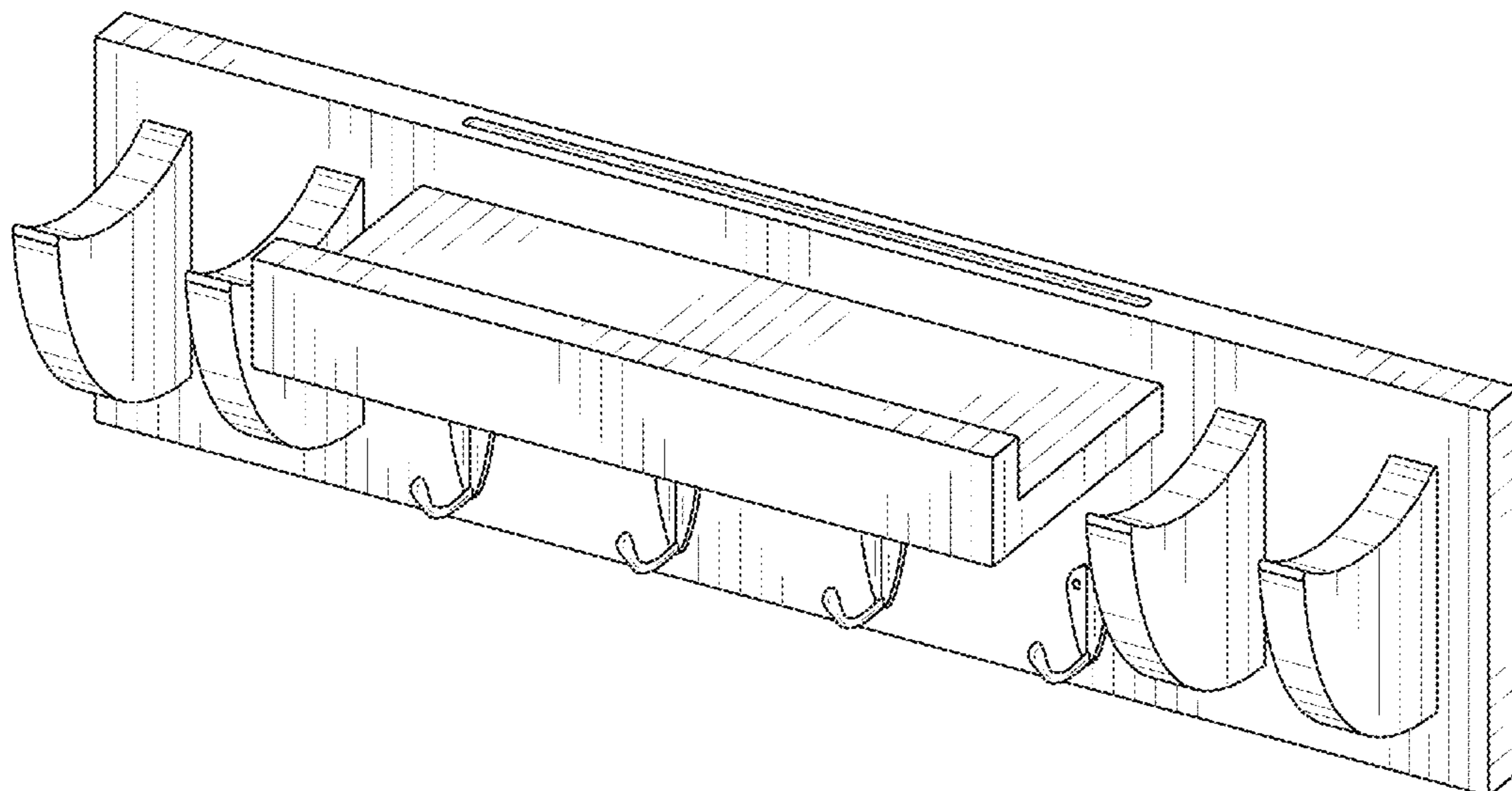
(57) **CLAIM**
The ornamental design for a shelf, as shown and described.

DESCRIPTION

FIG. 1 is a perspective view of a shelf showing my new design; and
FIG. 2 is a front plan view thereof; and
FIG. 3 is a rear plan view thereof; and
FIG. 4 is a right-side view thereof; and
FIG. 5 is left-side view thereof; and
FIG. 6 is a top view thereof; and,
FIG. 7 is a bottom view thereof.
The broken lines in the drawings depict portions of the shelf that form no part of the claim.

1 Claim, 4 Drawing Sheets

(56) **References Cited**
U.S. PATENT DOCUMENTS
1,630,919 A * 5/1927 Bach F24D 19/0246
248/234
D175,455 S * 8/1955 Bartieman D6/572
D256,302 S * 8/1980 Moore, Sr. D6/552
D316,000 S * 4/1991 Logan D6/572
D318,391 S * 7/1991 Greenhut D8/373
D377,599 S * 1/1997 Hofman D8/372
D496,817 S * 10/2004 Martin D6/553
D609,940 S * 2/2010 Samu D8/373
D707,287 S * 6/2014 Thomas D17/20



(56)

References Cited

U.S. PATENT DOCUMENTS

D945,790 S * 3/2022 Lan D6/553
D946,946 S * 3/2022 Li D6/682.4
D950,975 S * 5/2022 Castrianni D6/567
2017/0037660 A1* 2/2017 Chesterton E05B 73/0094
2020/0305615 A1* 10/2020 Lawson A47F 5/103

OTHER PUBLICATIONS

Guitar Wall Hanger . . . OTIME, (online) 11 pgs. Available Dec. 23, 2020. [Retrieved Feb. 17, 2022] <https://www.amazon.com/OTIME-Guitar-Ukulele-Bracket-Hanging/dp/B08R6ZRWPR?th=1> (Year: 2020).*

Guitar Wall Mount. TCJJ. (online) 12 pgs. Available Dec. 10, 2020. [Retrieved Feb. 17, 2022] <https://www.amazon.com/TCJJ-Bracket-Hanging-Accessories-Storage/dp/B08Q84QQVW?th=1> (Year: 2020).*

Guitar Wall Hanger. Bikoney. (online) 14 pgs. Available Jun. 21, 2020. [Retrieved Feb. 17, 2022] <https://www.amazon.com/dp/B083FJN4V1?th=1> (Year: 2020).*

Rotatable Guitar Wall Hangers. Apobob. (online) 10 pgs. Available May 7, 2021. [Retrieved Feb. 17, 2022] https://www.amazon.com/dp/B094D4C1XN/ref=sspa_dk_detail_5 (Year: 2021).*

Guitar Wall Hanger with Storage Shelf. WELLAND (online) 10 pgs. Available Nov. 10, 2020. [Retrieved May 13, 2022] <https://www.amazon.com/WELLAND-Storage-Electric-Acoustic-Accessories/dp/B08NV53L98> (Year: 2020).*

* cited by examiner

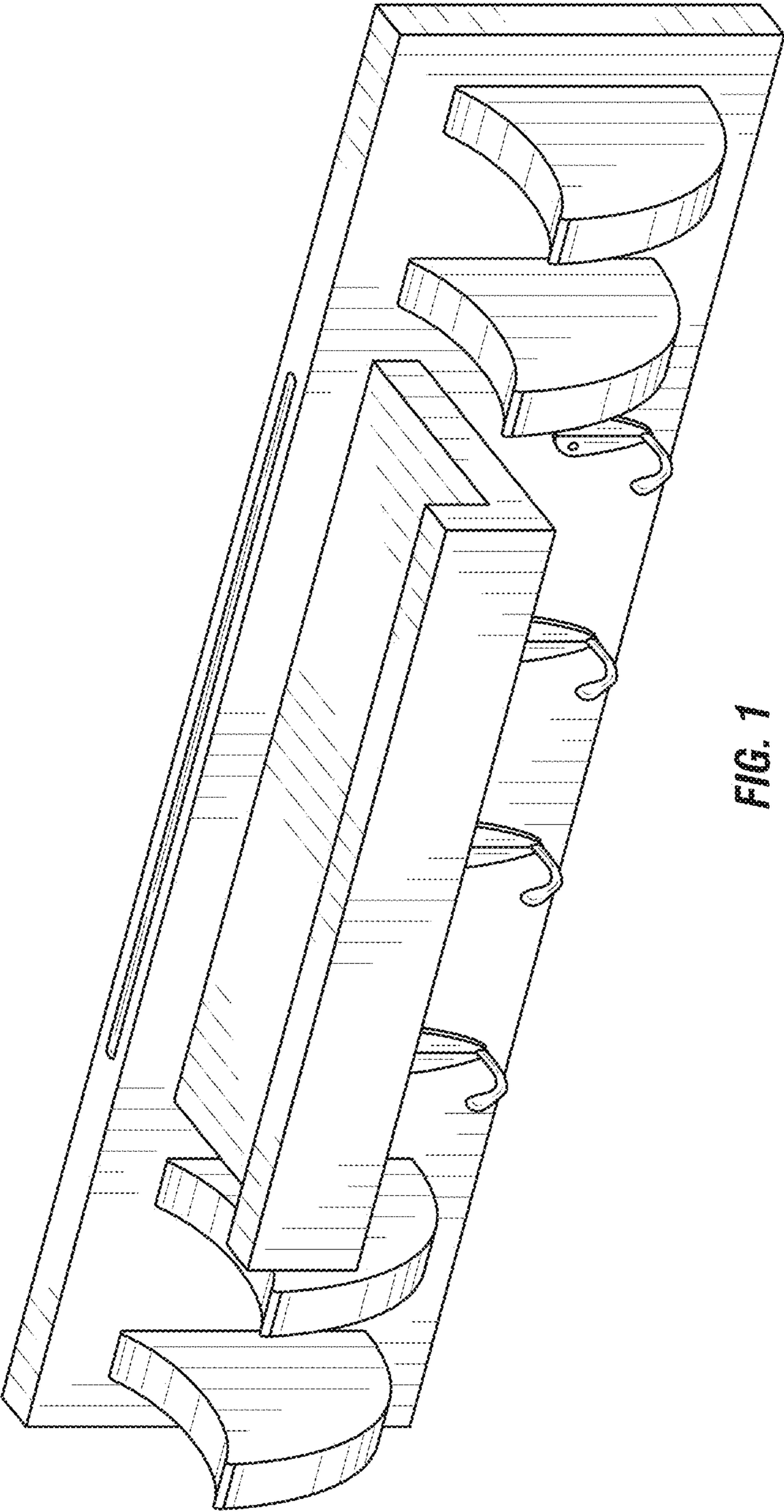


FIG. 1

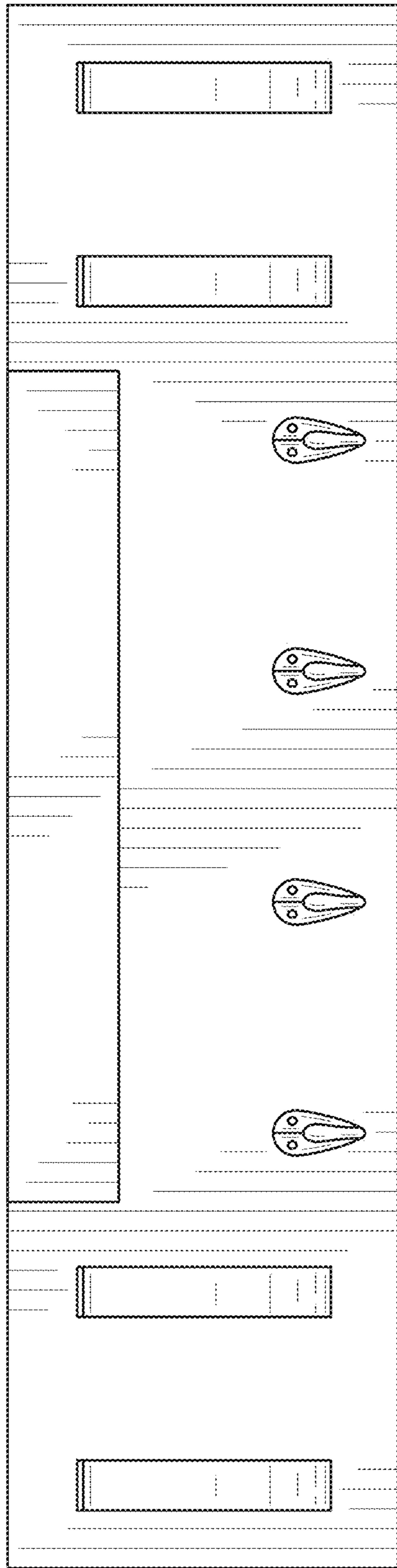


FIG. 2

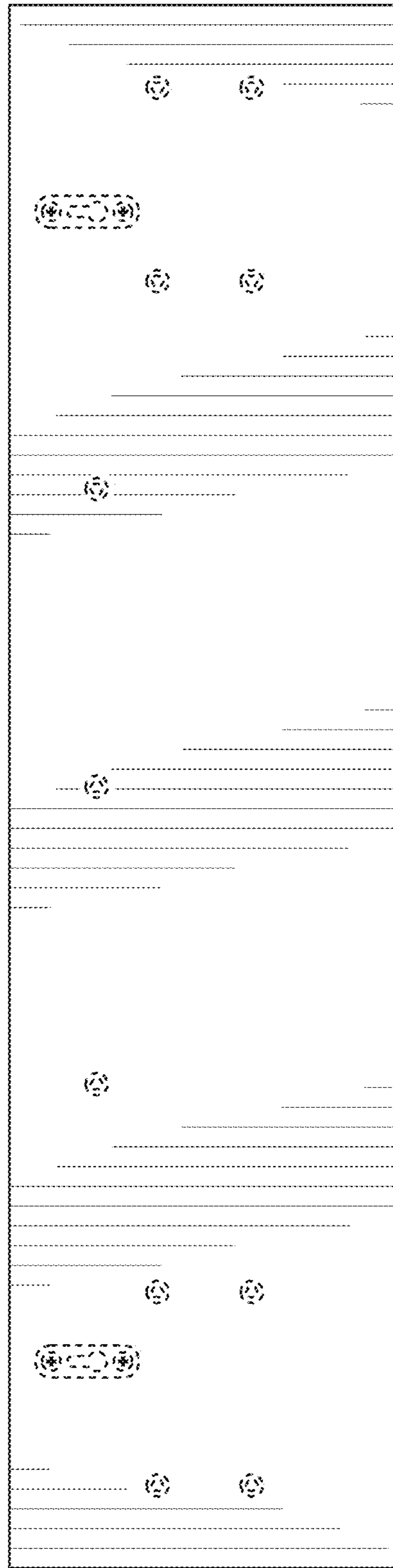


FIG. 3

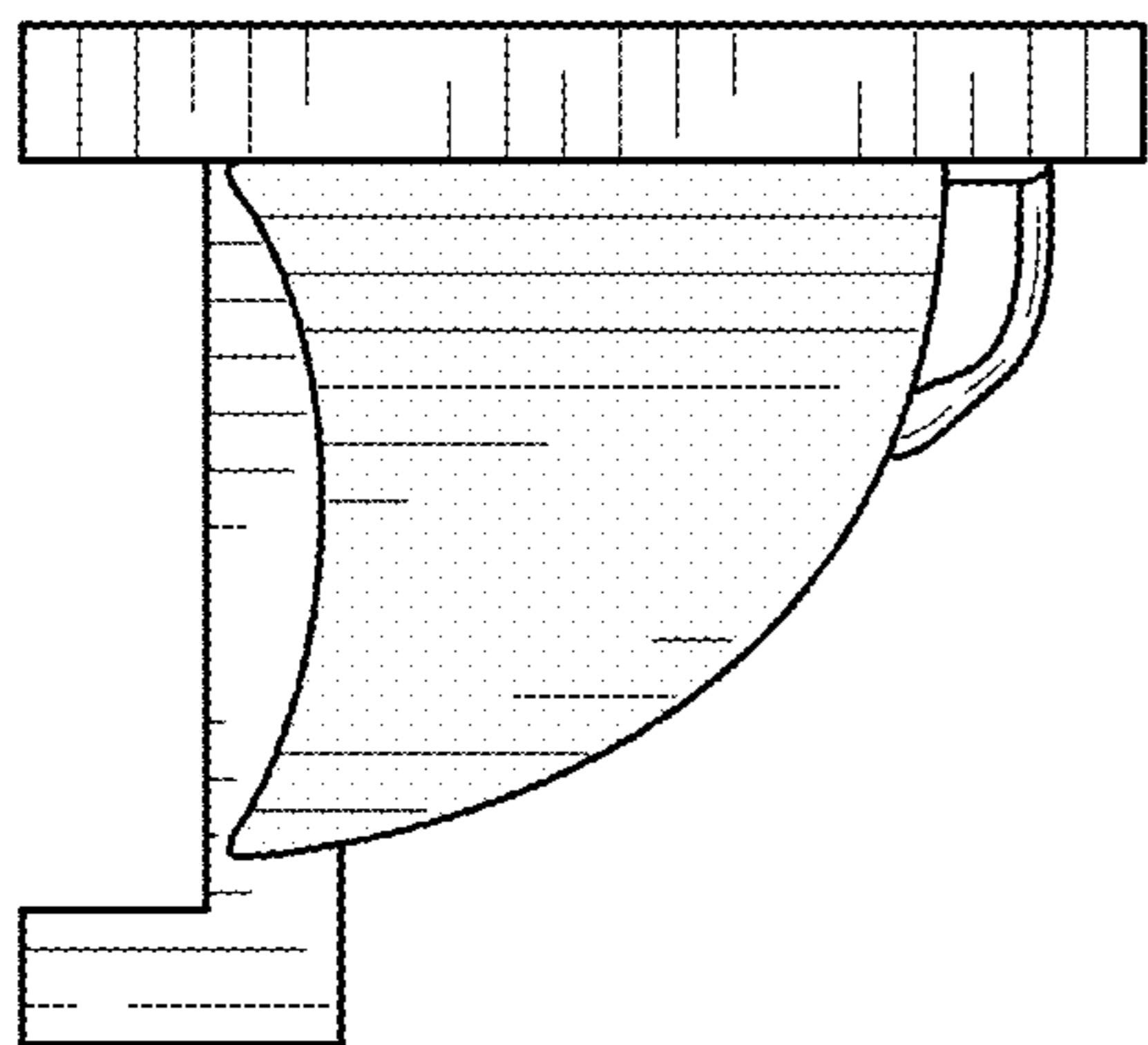
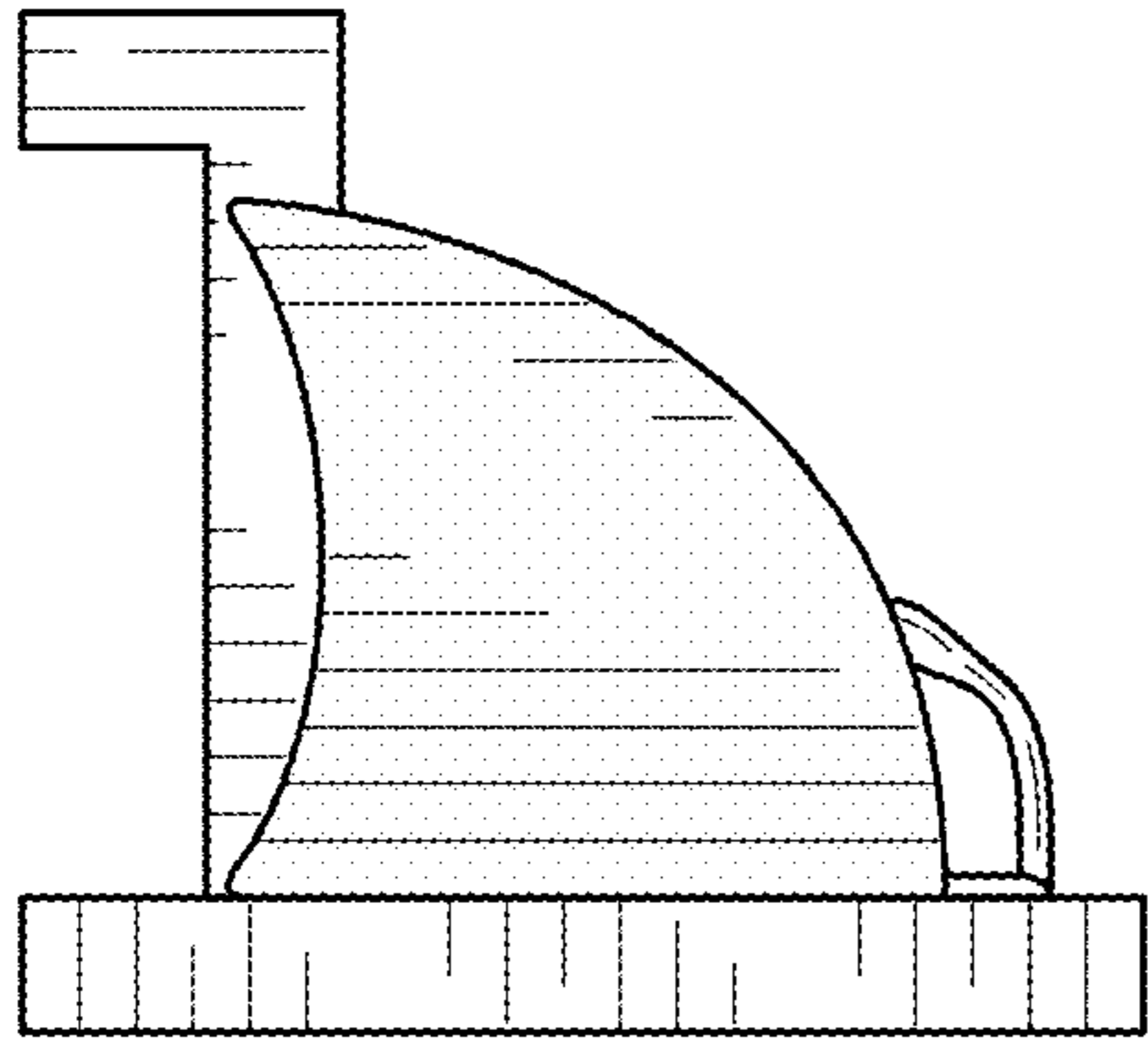


FIG. 4

FIG. 5

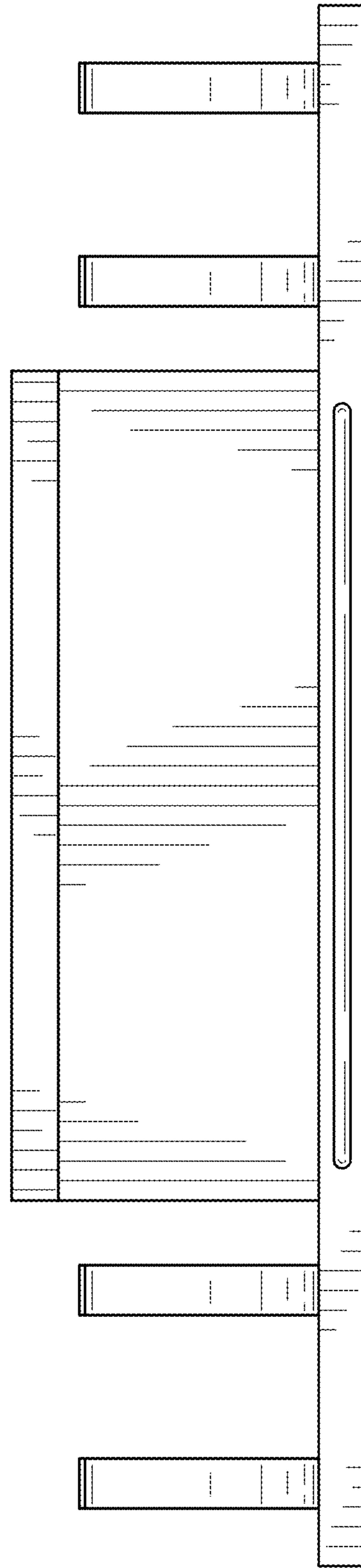


FIG. 6

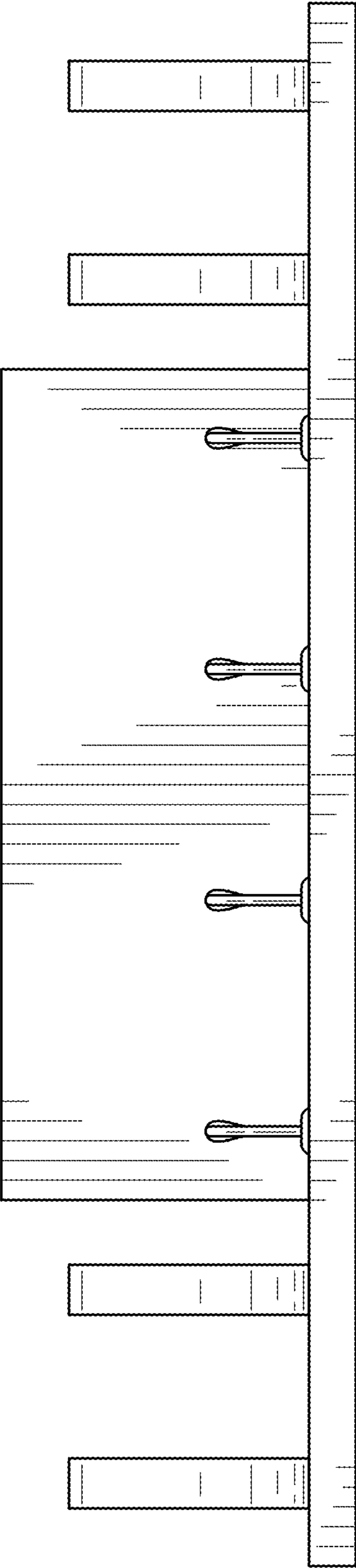


FIG. 7