



US00D957170S

(12) **United States Design Patent**
Song

(10) **Patent No.:** **US D957,170 S**

(45) **Date of Patent:** **** Jul. 12, 2022**

(54) **TV STAND**

(71) Applicant: **Chuan Song**, Zhengzhou (CN)

(72) Inventor: **Chuan Song**, Zhengzhou (CN)

(73) Assignee: **Ziel Home Furnishing Technology Co., Ltd.**, Henan (CN)

(**) Term: **15 Years**

(21) Appl. No.: **29/751,933**

(22) Filed: **Sep. 24, 2020**

(51) **LOC (13) Cl.** **06-06**

(52) **U.S. Cl.**
USPC **D6/675.1**

(58) **Field of Classification Search**
USPC D3/672, 673, 675, 675.1, 682, 682.1
CPC A47F 1/00; A47B 45/00; A47B 47/04;
A47B 57/00; A47B 63/00; A47B 47/021;
A47B 47/0083; A47B 81/06
See application file for complete search history.

(56) **References Cited**

U.S. PATENT DOCUMENTS

- D620,283 S * 7/2010 Calco D6/675.1
- D835,437 S * 12/2018 Stukenberg D6/675
- D848,770 S * 5/2019 Davis D6/675.1
- D885,091 S * 5/2020 Davis D6/675.3

- D906,020 S * 12/2020 Davis D6/657
- D909,797 S * 2/2021 Davis D6/657
- D916,537 S * 4/2021 Davis D6/675.1
- D920,014 S * 5/2021 Chu D6/675.1
- D920,015 S * 5/2021 Ye D6/675.1
- D920,016 S * 5/2021 Ye D6/675.1
- D922,799 S * 6/2021 Davis D6/661
- D927,898 S * 8/2021 Davis D6/661
- D931,022 S * 9/2021 Lin D6/675.1

* cited by examiner

Primary Examiner — Kelley A Donnelly

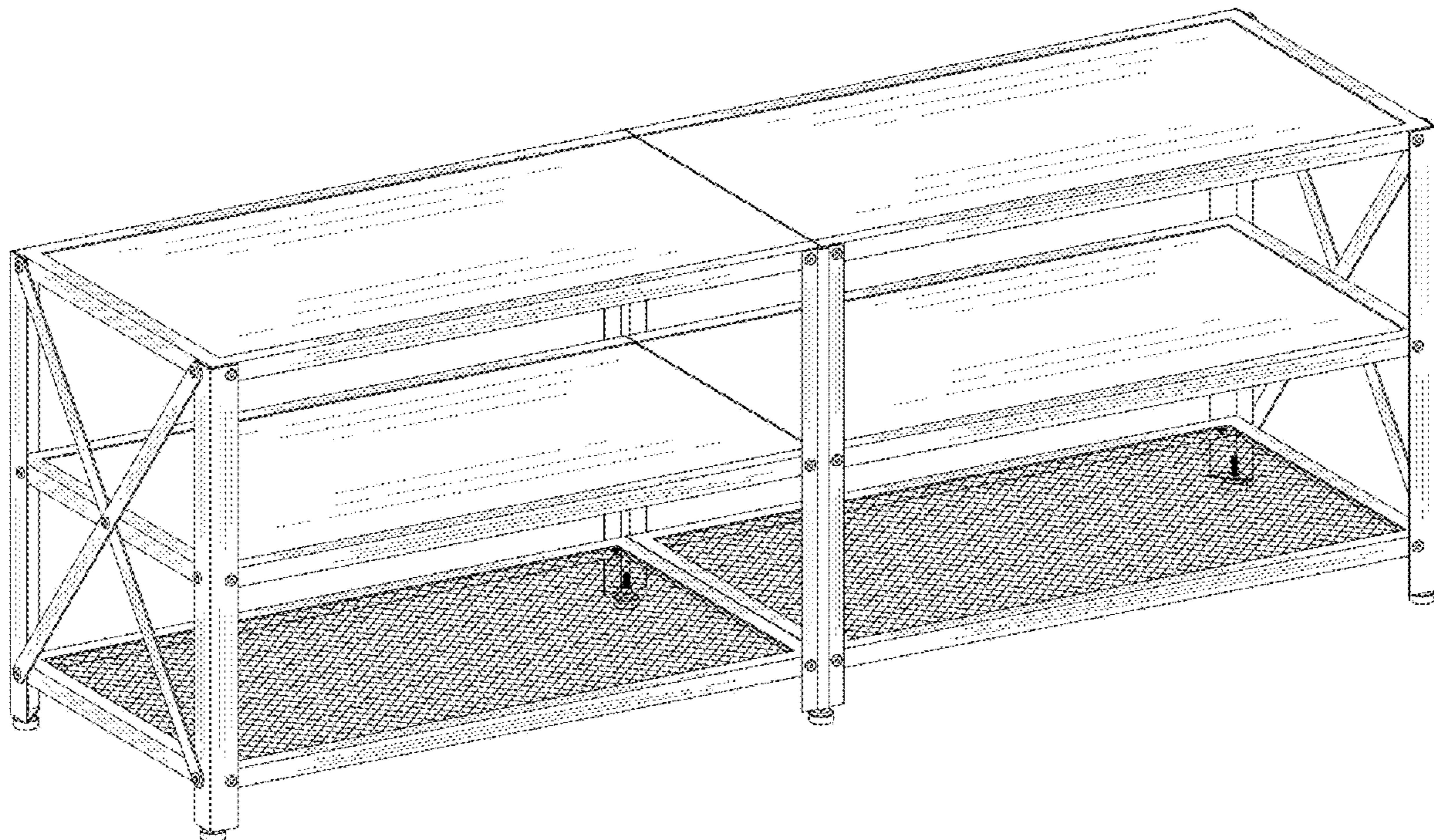
(57) **CLAIM**

The ornamental design for a TV stand, as shown and described.

DESCRIPTION

FIG. 1 is a perspective view of a TV stand showing my new design;
 FIG. 2 is a front elevation view thereof;
 FIG. 3 is a rear elevation view thereof;
 FIG. 4 is a left side elevation view thereof;
 FIG. 5 is a right side elevation view thereof;
 FIG. 6 is a top plan view thereof;
 FIG. 7 is a bottom plan view thereof;
 FIG. 8 is an enlarged view of the TV stand taken from the circle part in FIG. 2;
 FIG. 9 is an enlarged view of the TV stand taken from the circle part in FIG. 6; and,
 FIG. 10 is an enlarged view of the TV stand taken from the circle part in FIG. 7.

1 Claim, 10 Drawing Sheets



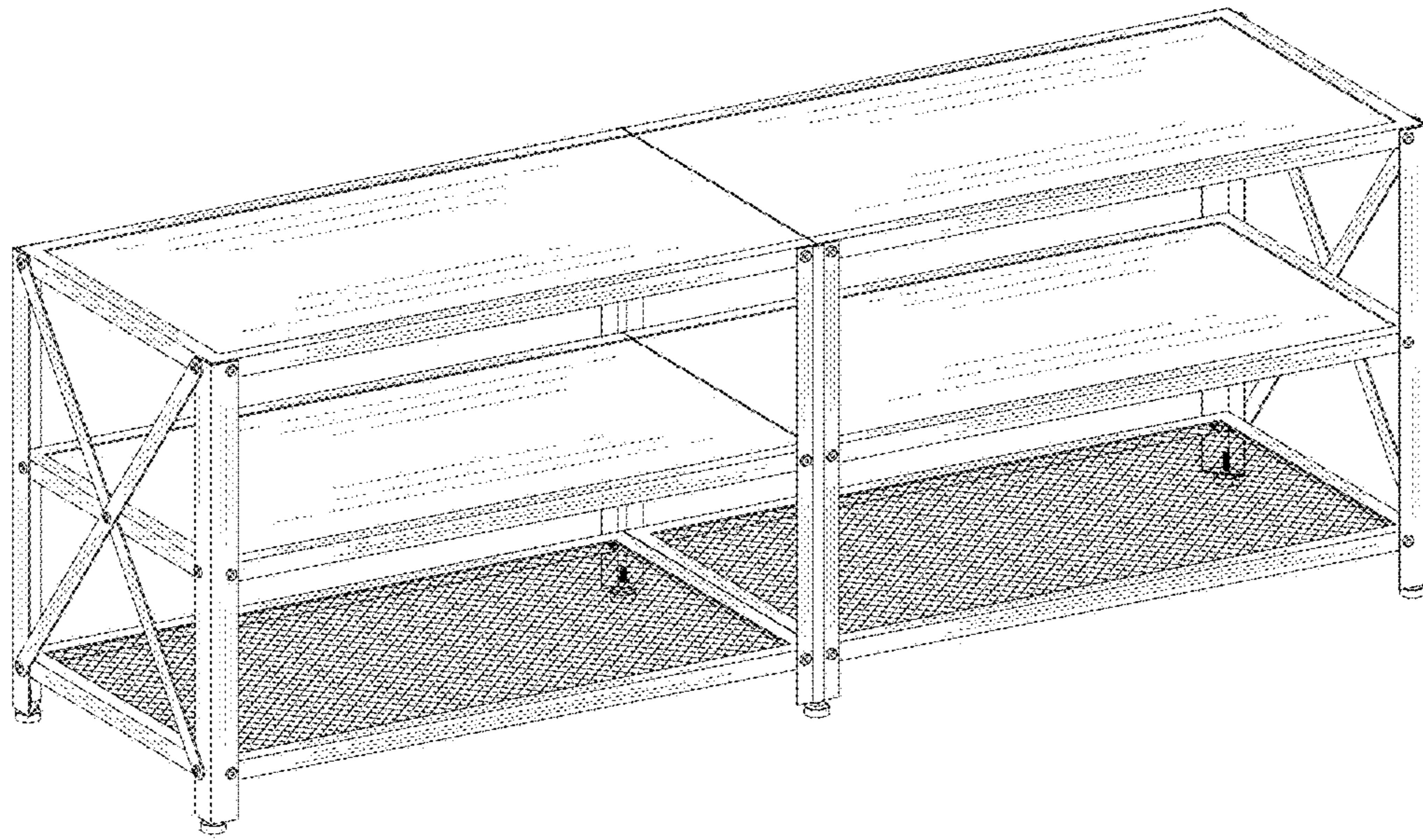


FIG.1

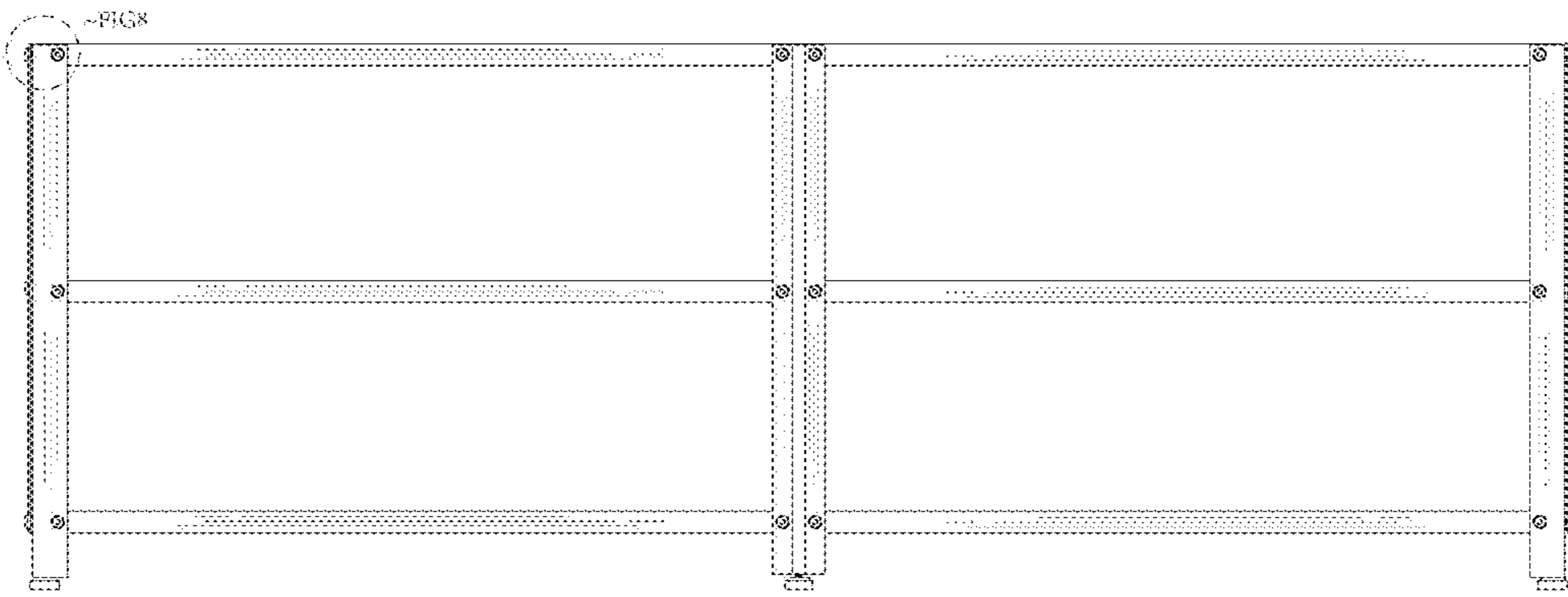


FIG. 2

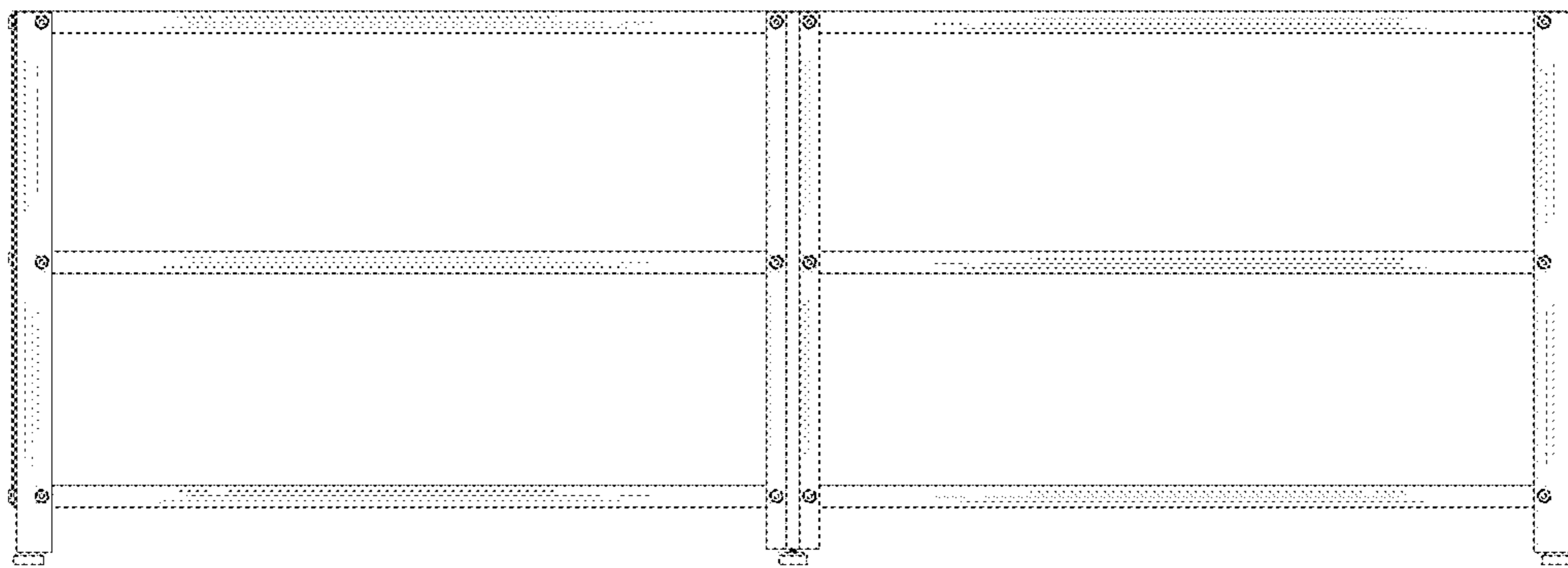


FIG.3

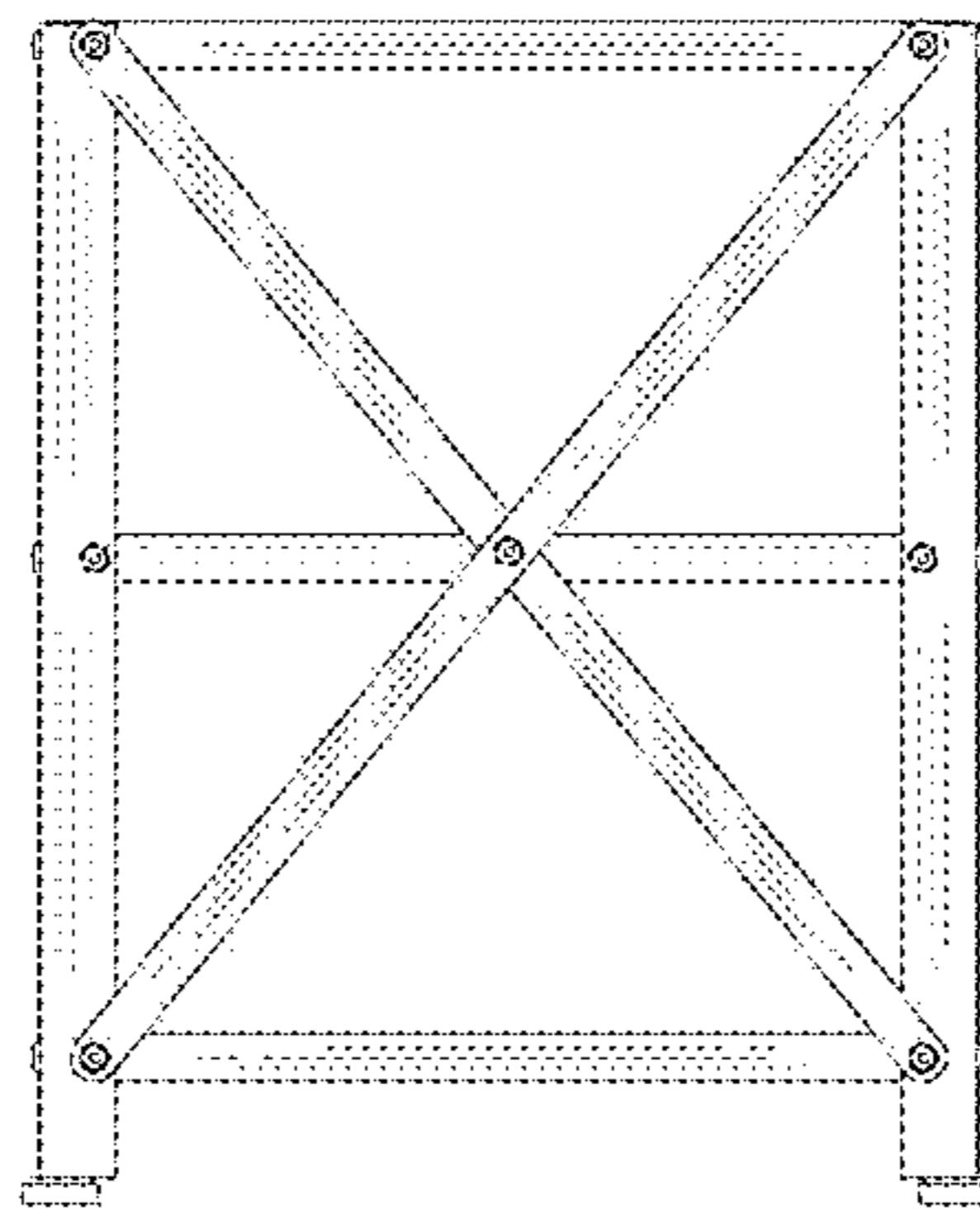


FIG.4

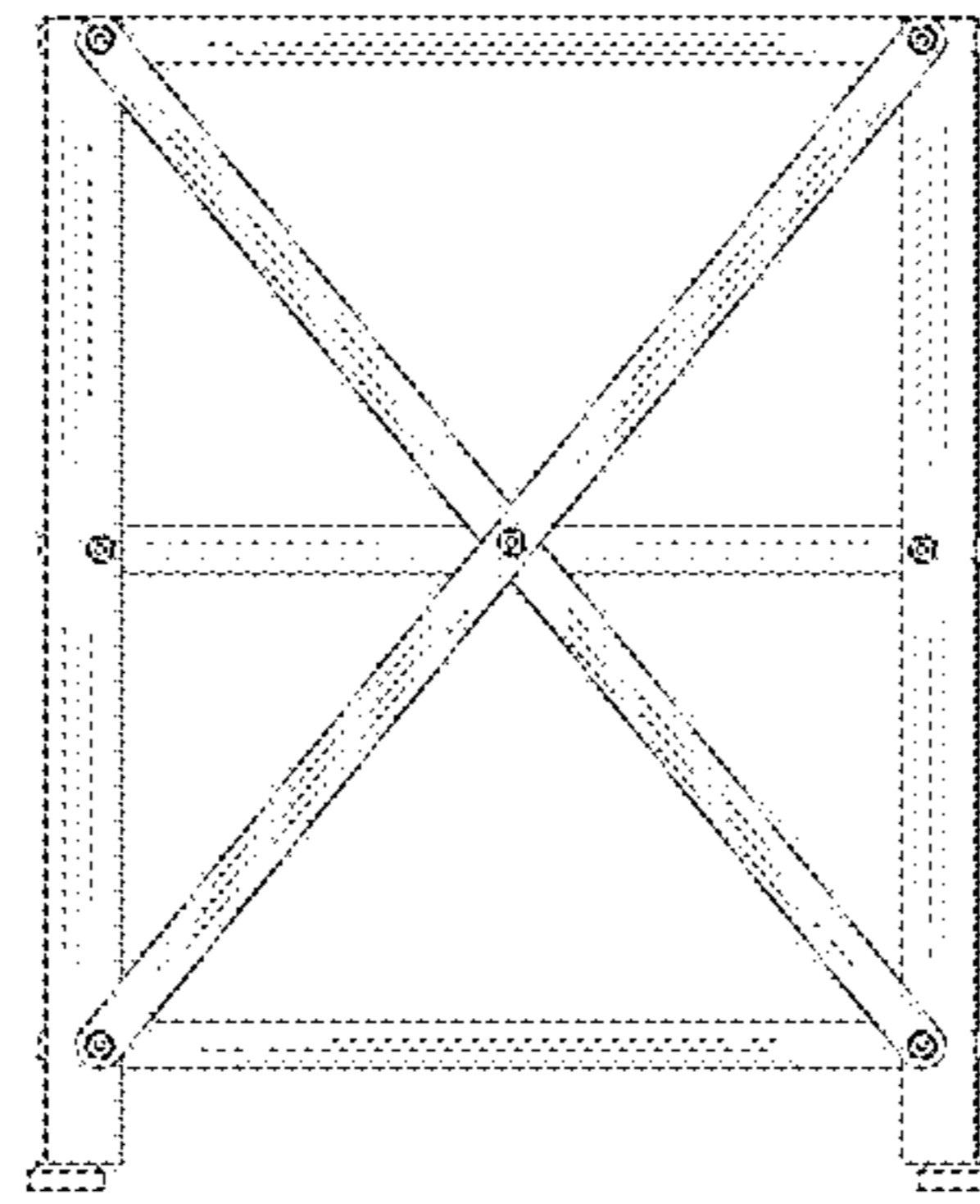


FIG.5

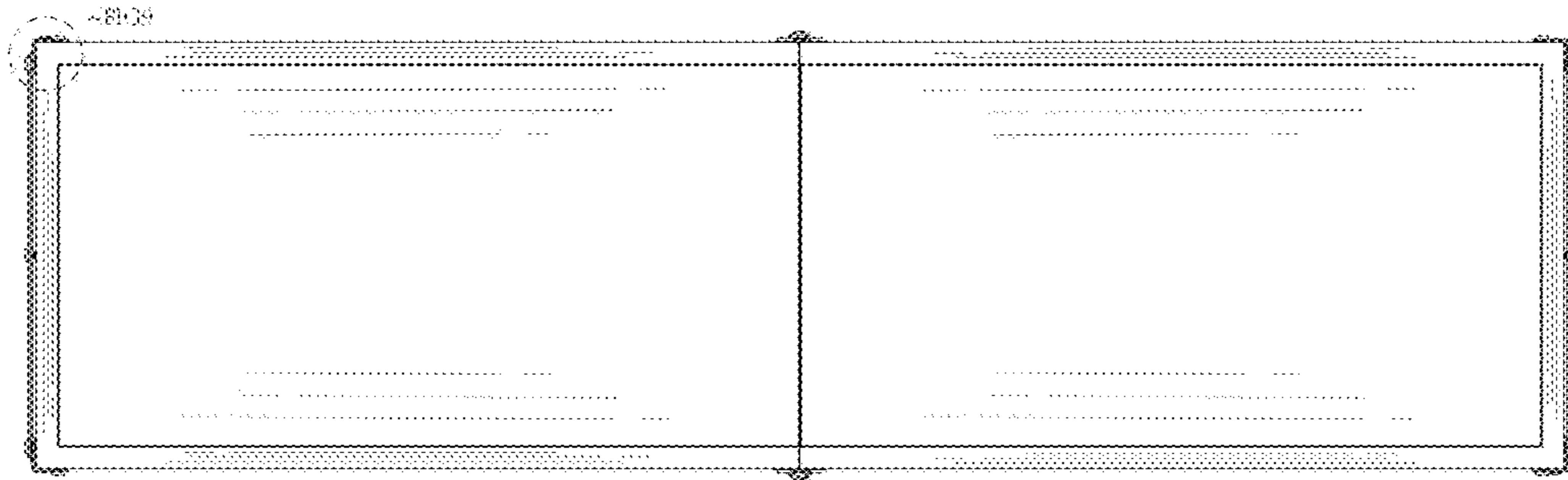


FIG.6

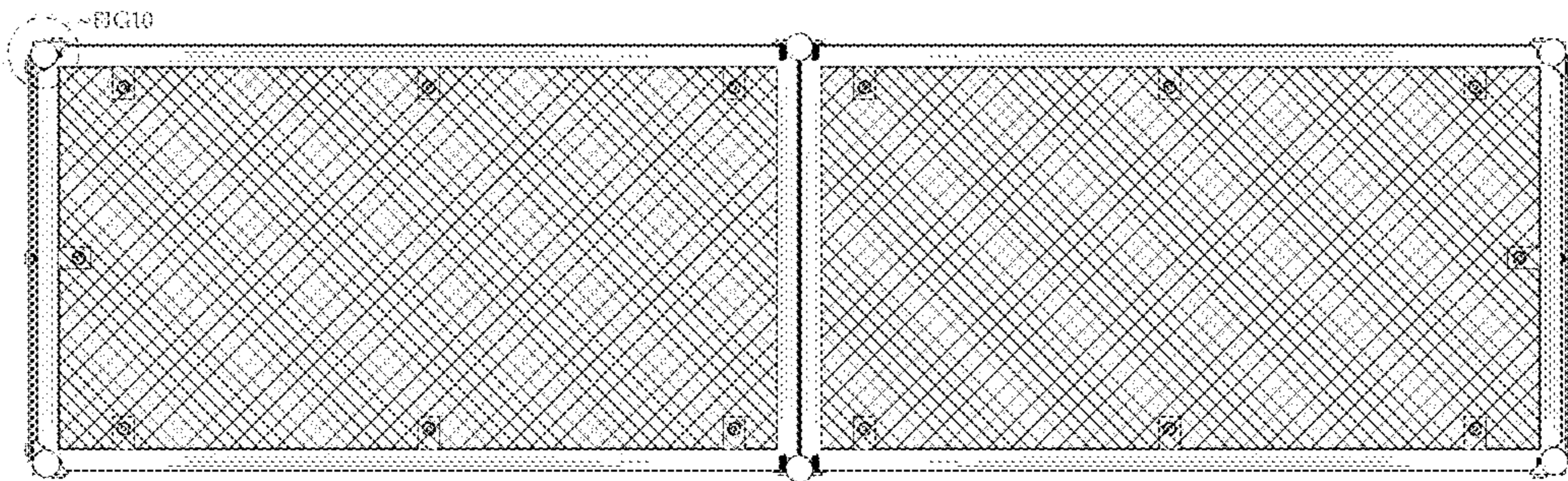


FIG. 7

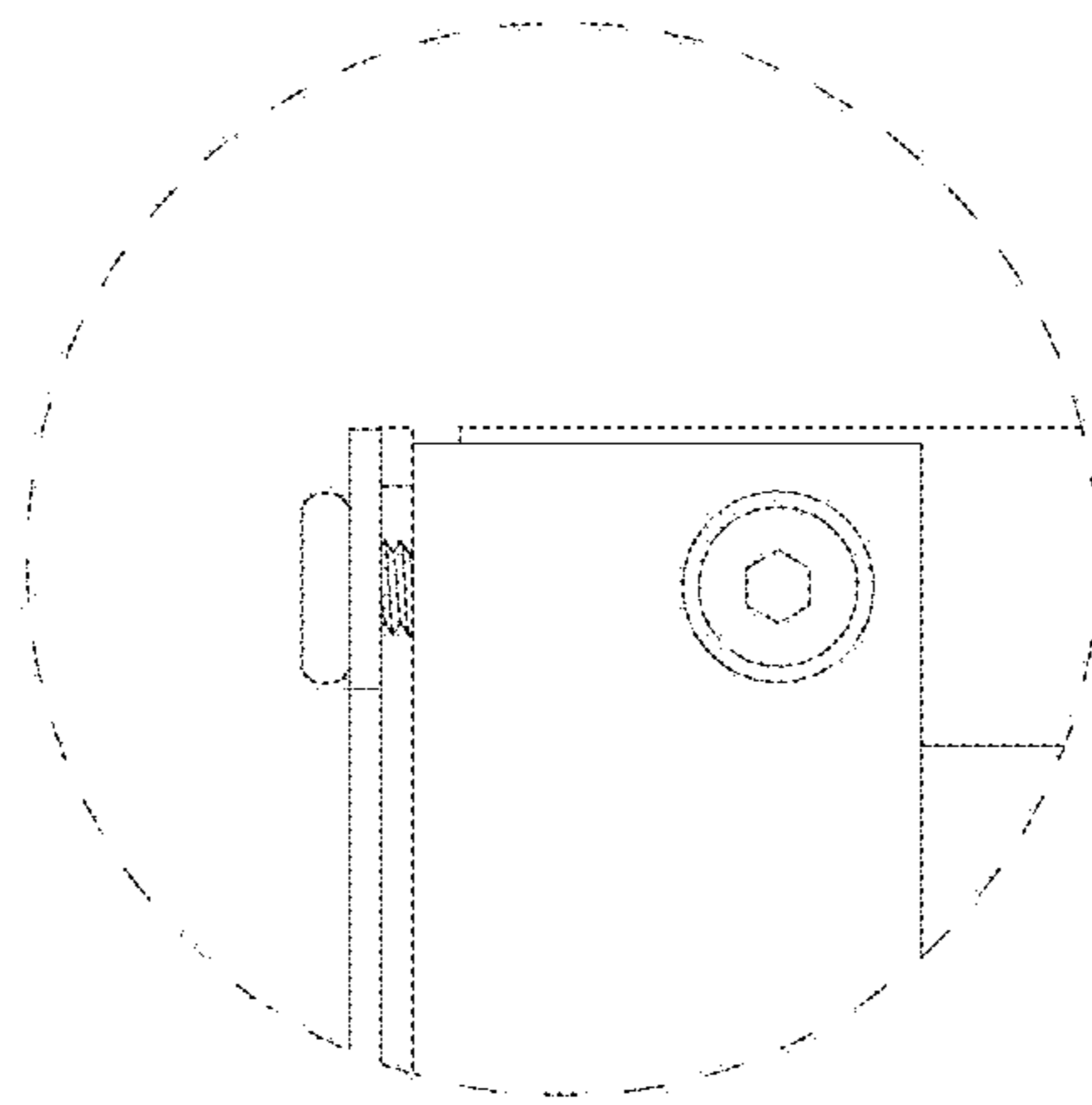


FIG. 8

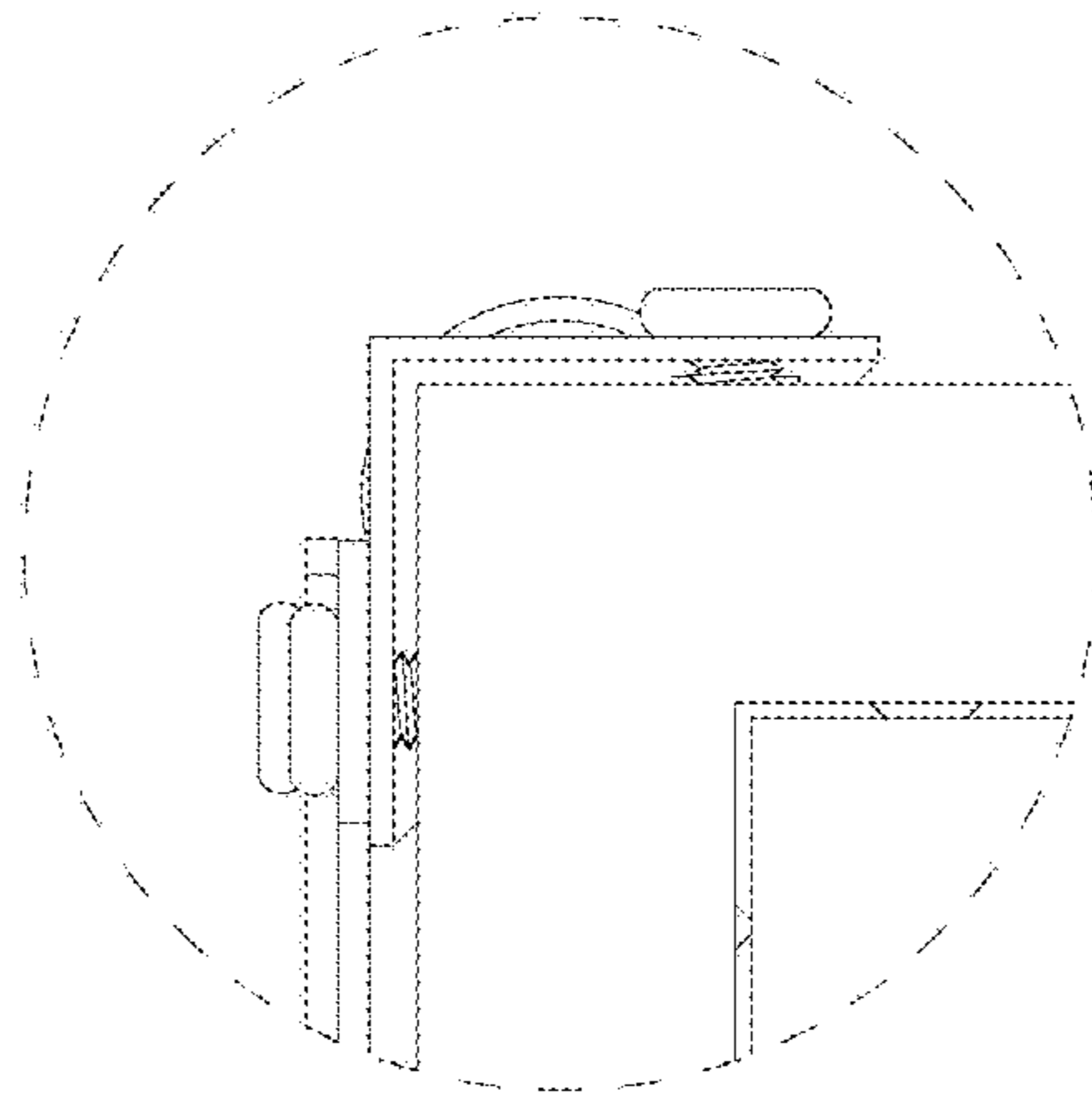


FIG. 9

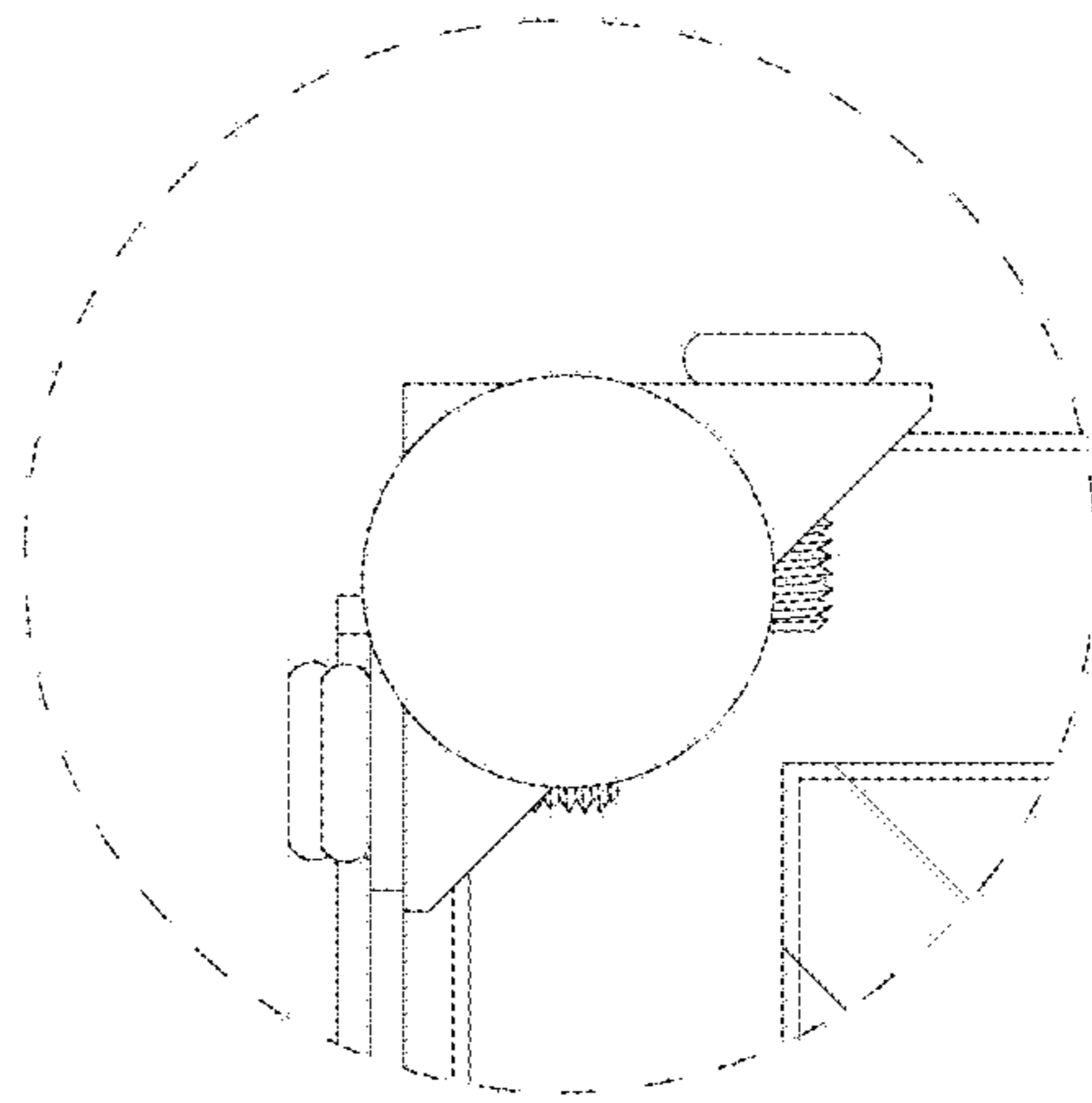


FIG. 10