



US00D957169S

(12) **United States Design Patent**
Xiao

(10) **Patent No.:** **US D957,169 S**
(45) **Date of Patent:** **** Jul. 12, 2022**

(54) **STORAGE CABINET**

(71) Applicant: **Jian Xiao**, Henan Province (CN)

(72) Inventor: **Jian Xiao**, Henan Province (CN)

(**) Term: **15 Years**

(21) Appl. No.: **29/799,728**

(22) Filed: **Jul. 16, 2021**

(51) **LOC (13) Cl.** **06-04**

(52) **U.S. Cl.**
USPC **D6/671**

(58) **Field of Classification Search**
USPC D6/663, 664, 664.1, 667, 671, 671.1,
D6/671.2, 671.3, 671.4, 668.1
CPC A47B 47/00; A47B 17/04; A47B 45/00;
A47B 47/03; A47B 47/04; A47B 63/00;
A47B 67/00; A47B 67/04; A47B 47/02;
A47B 61/00; A47B 81/00
See application file for complete search history.

(56) **References Cited**

U.S. PATENT DOCUMENTS

- D499,276 S * 12/2004 Grosfillex D6/671.1
- D732,322 S 6/2015 Anderson et al.
- D910,345 S * 2/2021 Li D6/671.1
- D944,041 S * 2/2022 Xiao D6/671
- 2019/0335899 A1* 11/2019 Langbert A47B 61/00

OTHER PUBLICATIONS

Bonnlo 72" Tall Steel Storage Cabinet Rolling Metal Storage Locker with Adjustable Shelves and Door for Garage, Office,

Kitchen, Laundry Room, from amazon.com, Date First Available: May 21, 2019, pp. 1 and 6, from https://www.amazon.com/dp/B07S475H4T?ref=vse_pfo_vwdp (Year: 2019).*

* cited by examiner

Primary Examiner — Mimoso De

(74) *Attorney, Agent, or Firm* — Che-Yang Chen; Law Office of Michael Chen

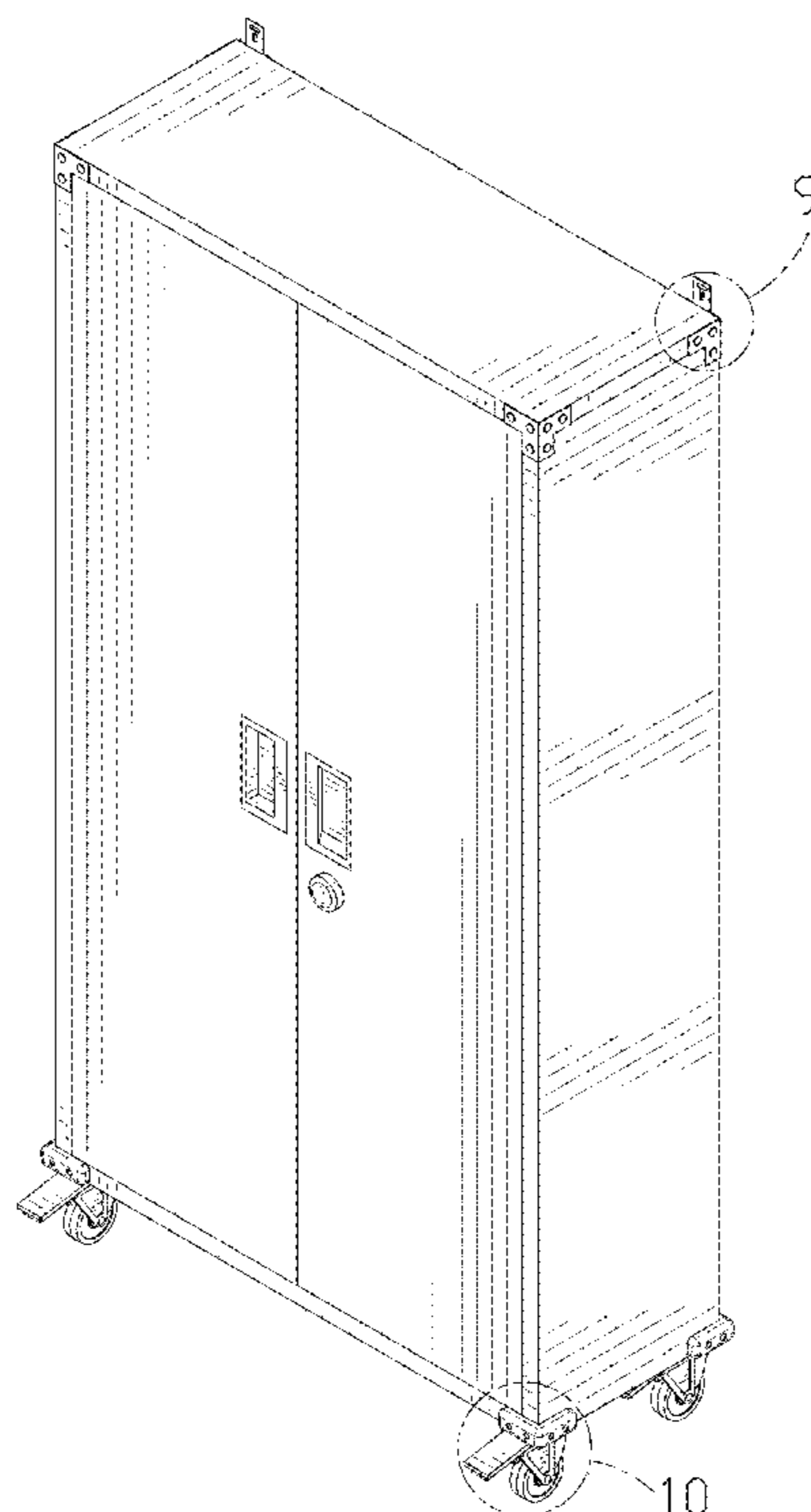
(57) **CLAIM**

The ornamental design for a storage cabinet, as shown and described.

DESCRIPTION

FIG. 1 is a perspective view of the storage cabinet showing my new design;
 FIG. 2 is a perspective view thereof from another angle;
 FIG. 3 is a front elevational view thereof;
 FIG. 4 is a rear elevational view thereof;
 FIG. 5 is a left side elevational view thereof;
 FIG. 6 is a right side elevational view thereof;
 FIG. 7 is a top plan view thereof;
 FIG. 8 is a bottom plan view thereof;
 FIG. 9 is a partial enlarged view on the top corner thereof;
 FIG. 10 is a partial enlarged view of a front wheel thereof;
 and,
 FIG. 11 is a partial enlarged view of a rear wheel thereof.
 The broken lines shown within the castor connections, in the FIGS. 2 and 11, are for the purpose of illustrating environmental structure and form no part of the claimed design.

1 Claim, 11 Drawing Sheets



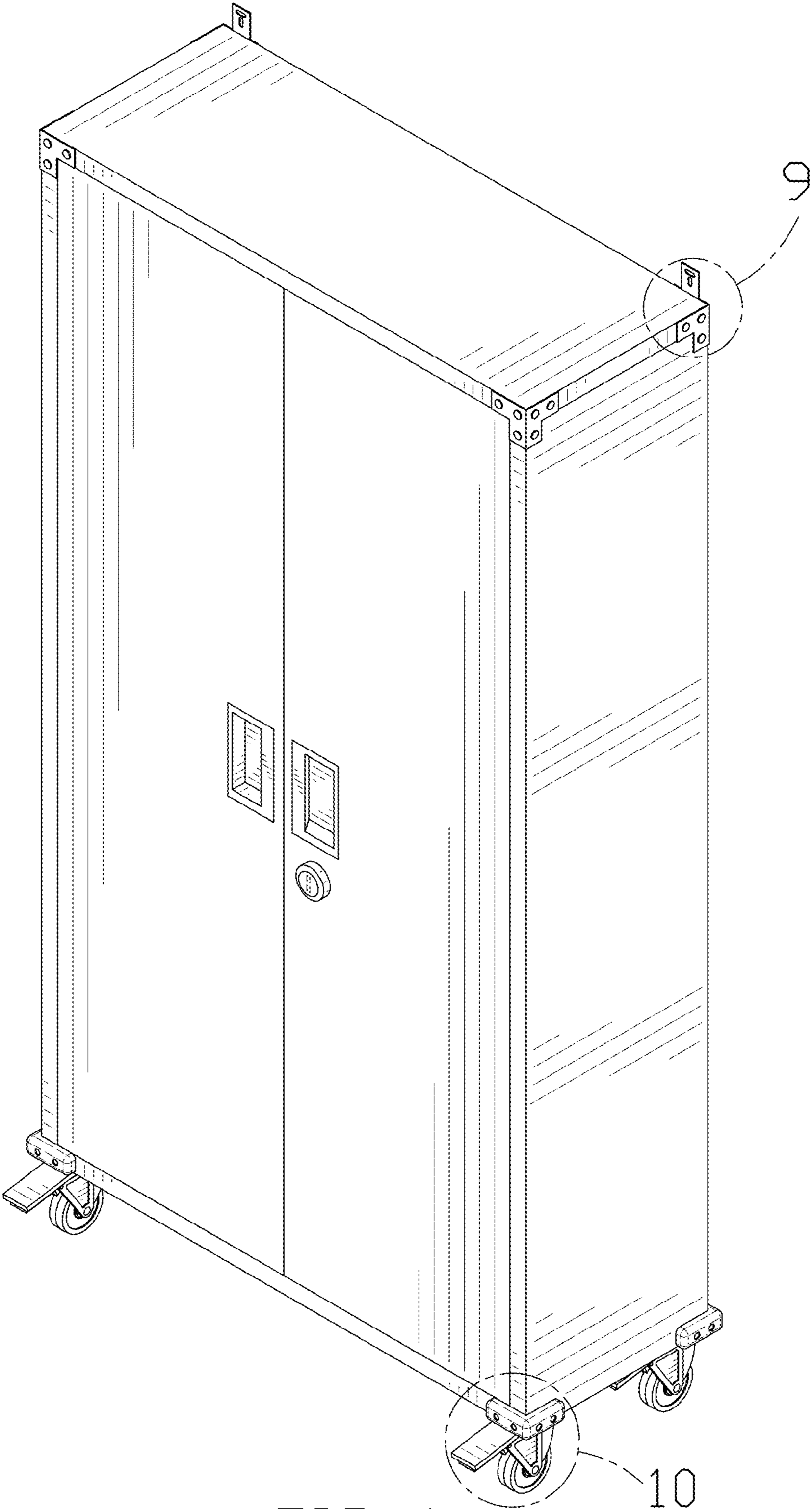
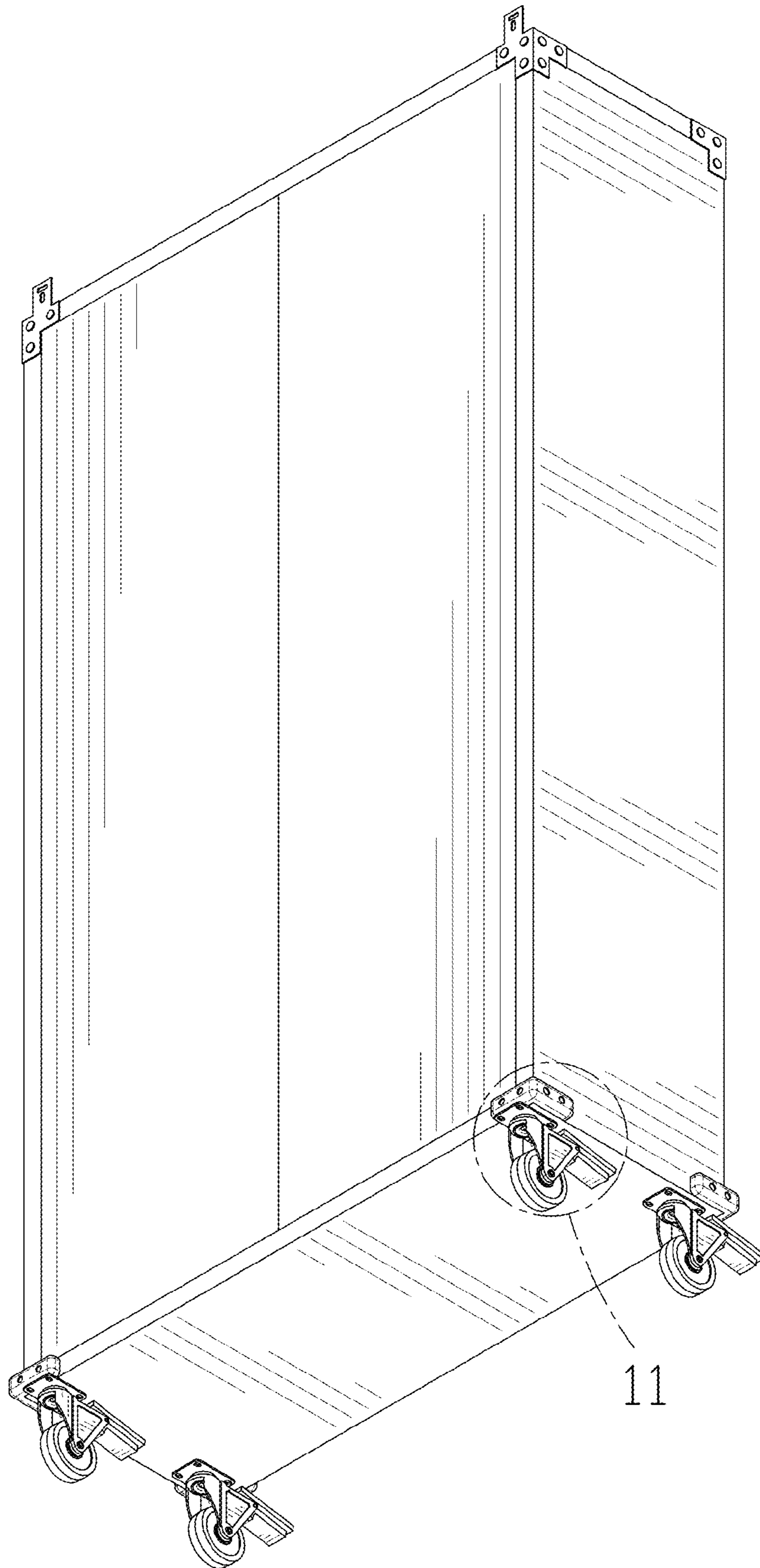


FIG. 1



11

FIG. 2

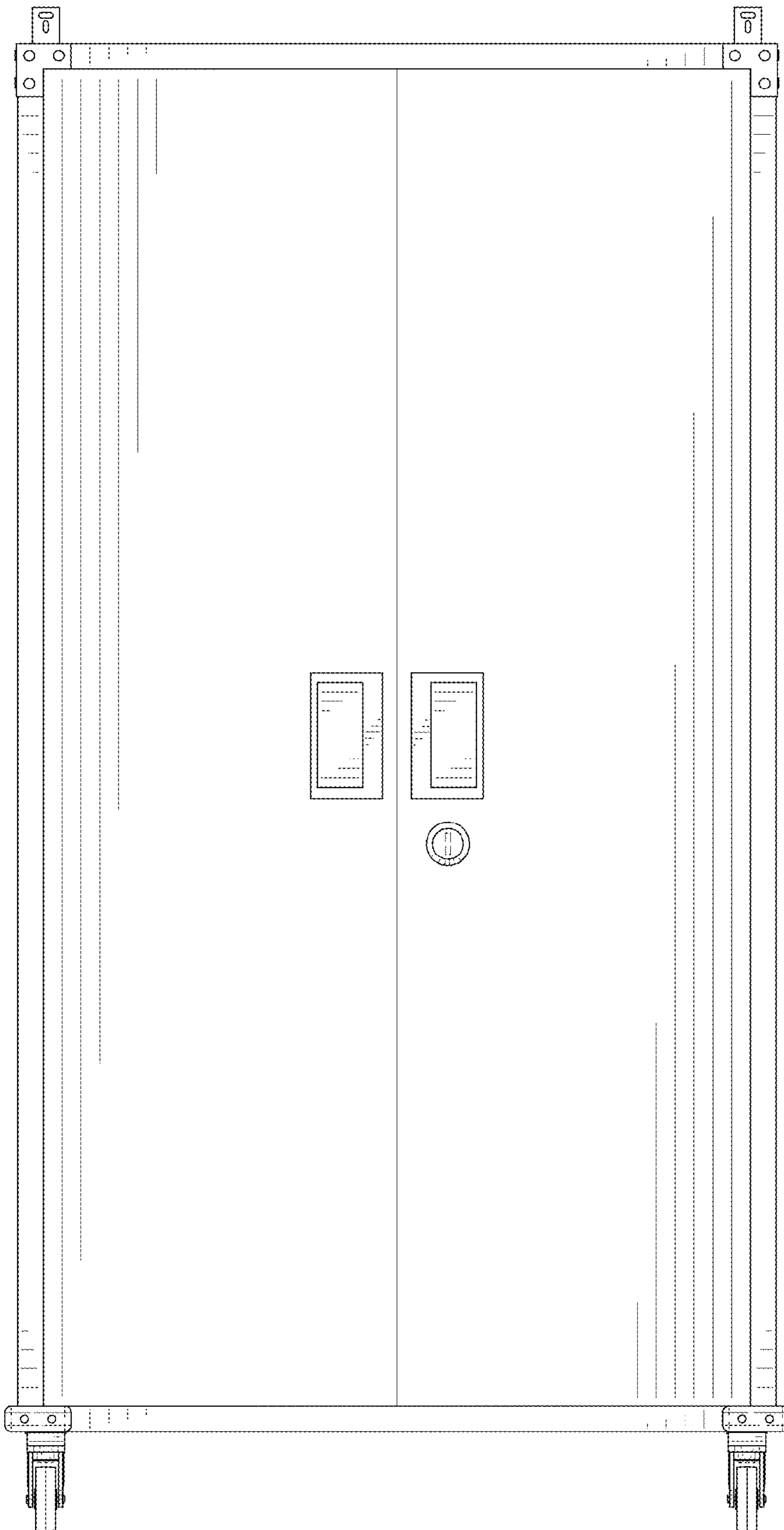


FIG. 3

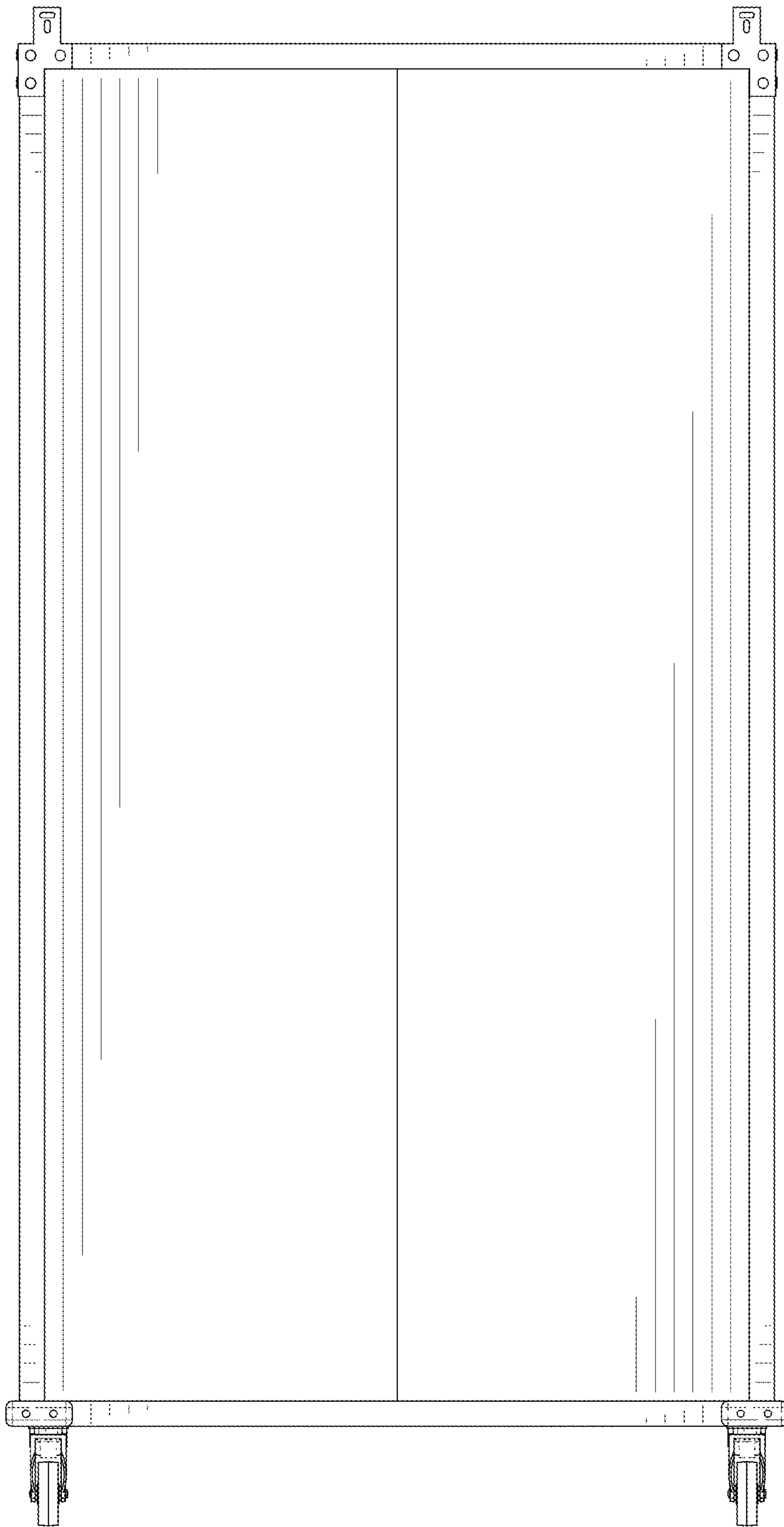


FIG. 4

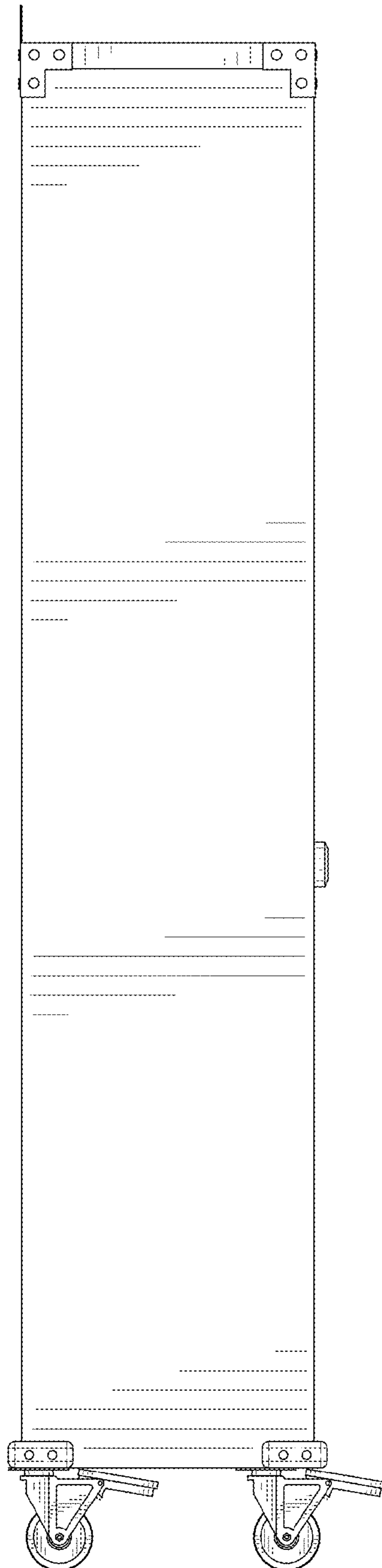


FIG. 5

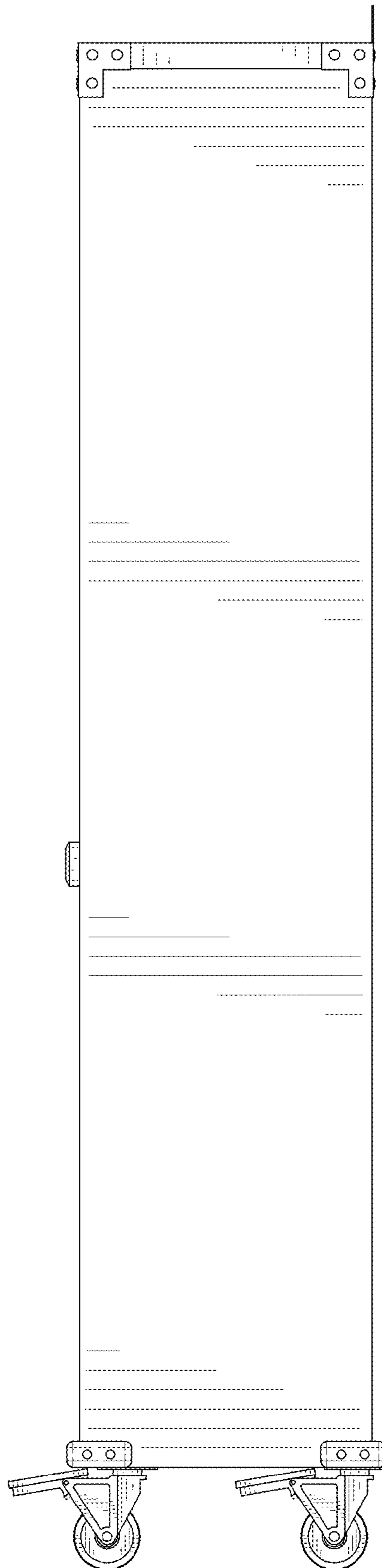


FIG. 6

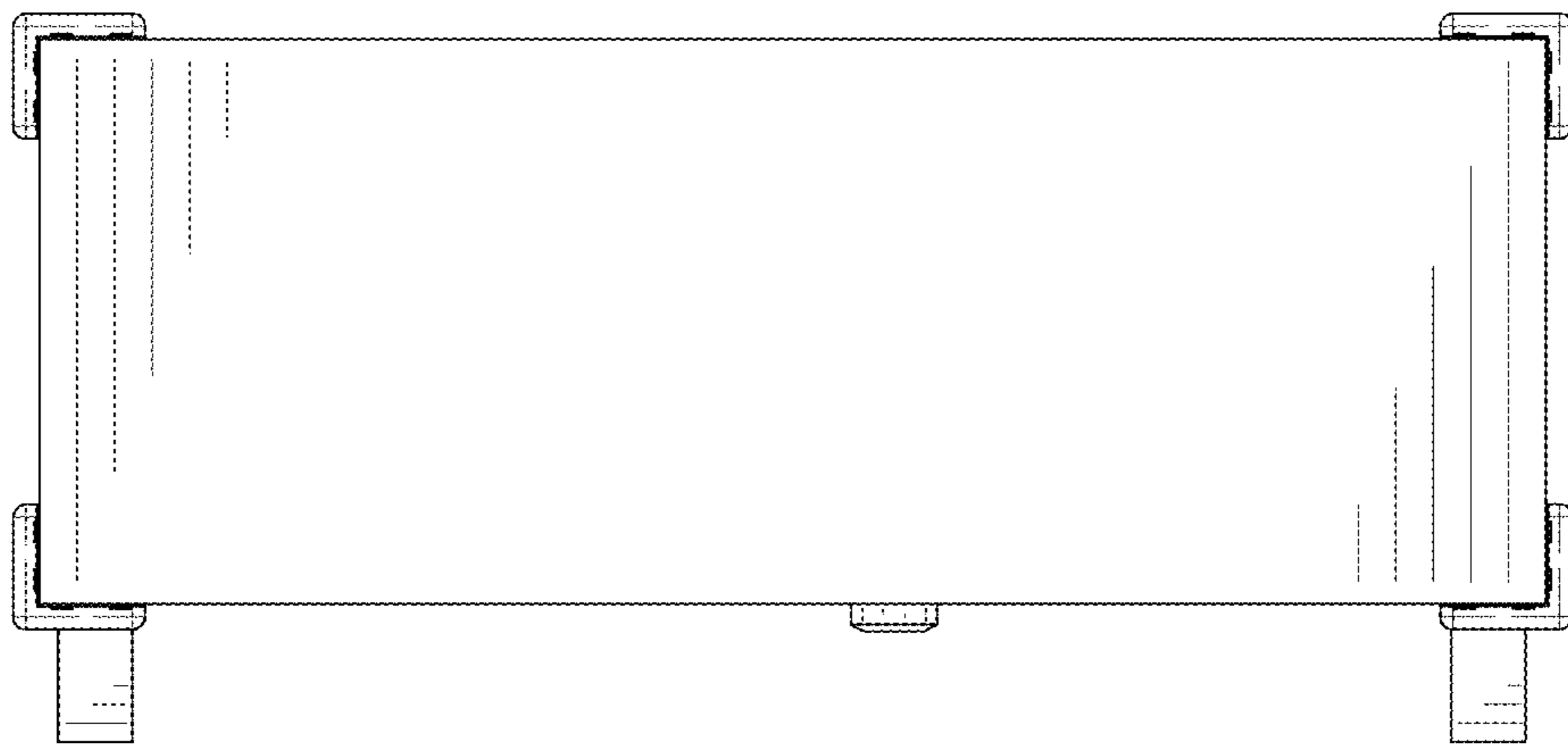


FIG. 7

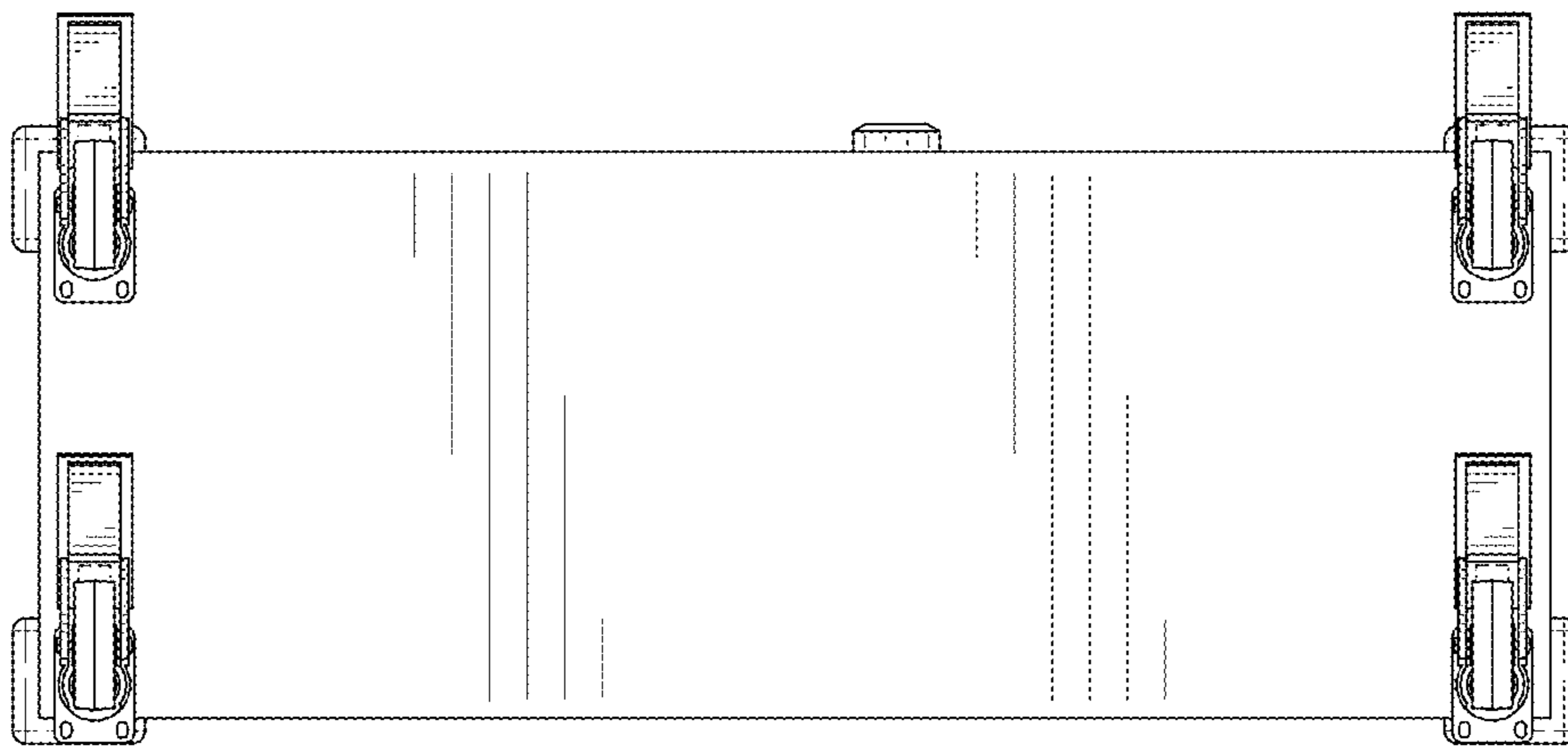


FIG. 8

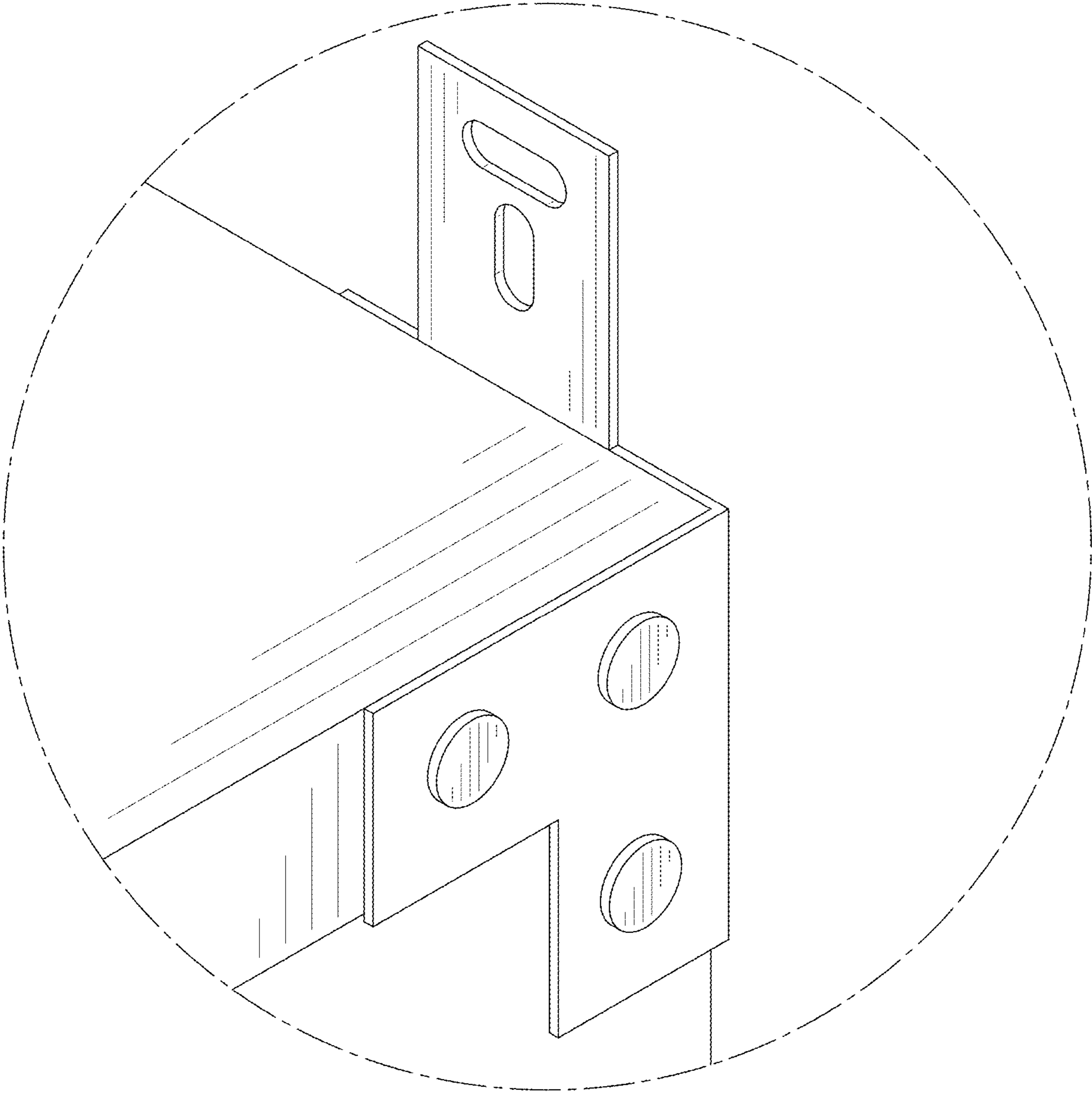


FIG. 9

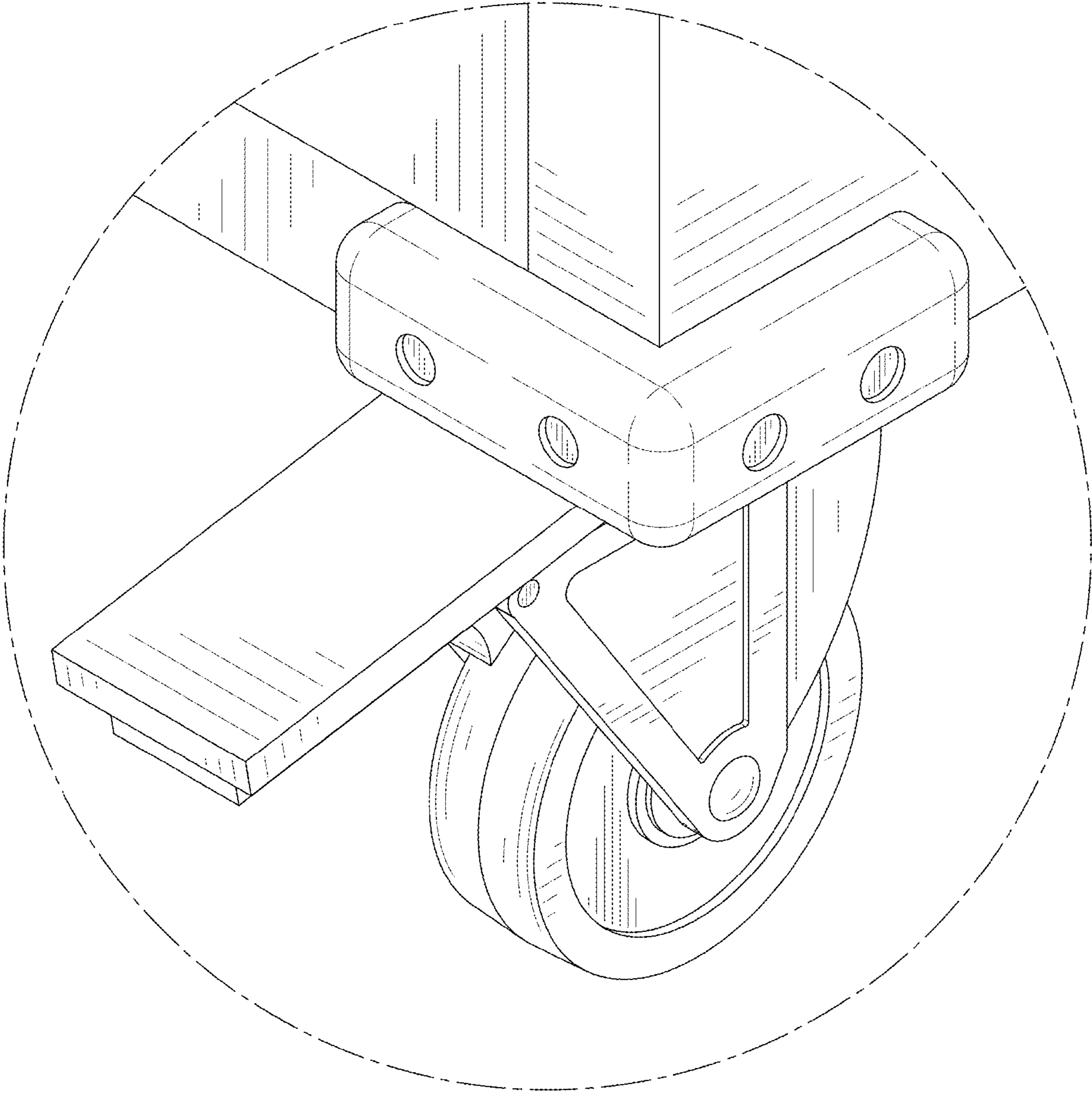


FIG. 10

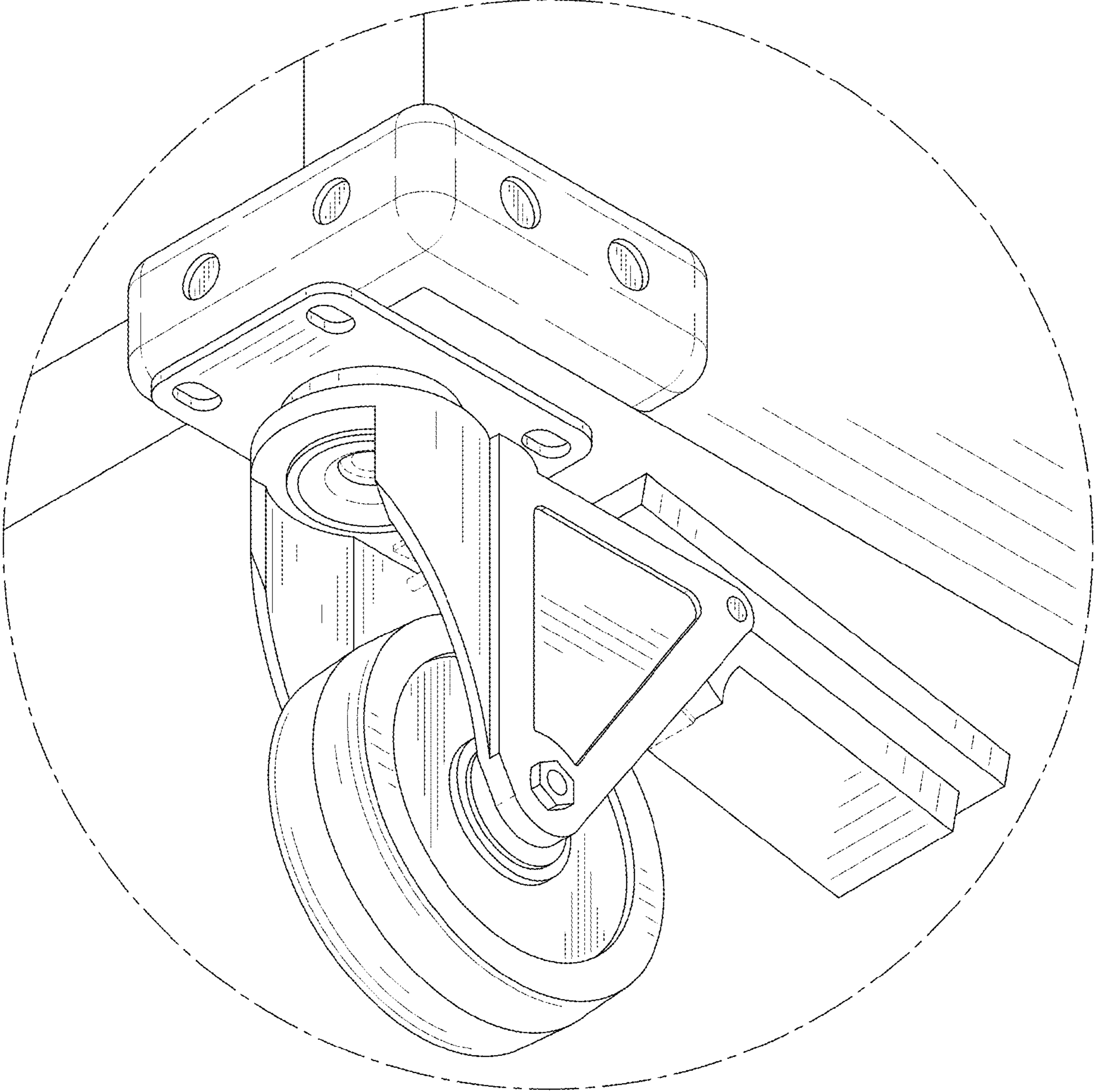


FIG. 11