



US00D957166S

(12) **United States Design Patent** (10) **Patent No.:** **US D957,166 S**  
**Davis et al.** (45) **Date of Patent:** **\*\* Jul. 12, 2022**

(54) **NIGHTSTAND**  
(71) Applicant: **WALKER EDISON FURNITURE COMPANY LLC**, Salt Lake City, UT (US)  
(72) Inventors: **Matthew Davis**, Millcreek, UT (US); **Brad Bonham**, Draper, UT (US); **Richard Packer**, Kaysville, UT (US); **Tiffany Duhadway**, Salt Lake City, UT (US)

D193,717 S 10/1962 Deaton  
D203,194 S 12/1965 Klein  
D205,290 S 7/1966 Klein  
D241,293 S 9/1976 Introini  
D251,885 S 5/1979 Tebbe  
D259,316 S 5/1981 Offredi  
D296,505 S 7/1988 Kaliski  
D312,738 S 12/1990 Newhouse  
D368,604 S \* 4/1996 Gotham ..... D6/657  
D379,880 S 6/1997 Stoeckli  
(Continued)

(73) Assignee: **Walker Edison Furniture Company LLC**, West Jordan, UT (US)

(\*\*) Term: **15 Years**

(21) Appl. No.: **29/720,725**

(22) Filed: **Jan. 15, 2020**

(51) **LOC (13) Cl.** ..... **06-04**

(52) **U.S. Cl.**  
USPC ..... **D6/657**

(58) **Field of Classification Search**  
USPC ..... D6/657, 663, 668.1, 668.2, 671, 671.1, D6/671.2, 705  
CPC ..... A47B 79/00; A47B 67/00; A47B 7/00; A47B 17/00; A47B 17/006; A47B 65/00; A47B 67/04  
See application file for complete search history.

(56) **References Cited**

**U.S. PATENT DOCUMENTS**

D120,370 S \* 5/1940 Bach ..... D6/657  
D129,484 S 9/1941 Jiranek  
D165,241 S 11/1951 Porter  
D165,243 S 11/1951 Porter  
D167,770 S 9/1952 Porter  
D182,832 S \* 5/1958 Lubberts ..... D6/657  
D187,232 S \* 2/1960 Matyas ..... D6/657  
D193,516 S \* 9/1962 Deaton ..... D6/657

**OTHER PUBLICATIONS**

Modern Storage Side Table by Home Accent Furnishings, first available: Jun. 9, 2020. Amazon.com [online], [site visited Jan. 4, 2022], Internet URL: <https://www.amazon.com/25-Modern-Storage-Side-Table/dp/B089WJ7H3K#customerReviews> (Year: 2020).\*

(Continued)

*Primary Examiner* — Steven J Czyz  
*Assistant Examiner* — Hillary Catherine Shepard  
(74) *Attorney, Agent, or Firm* — Workman Nydegger

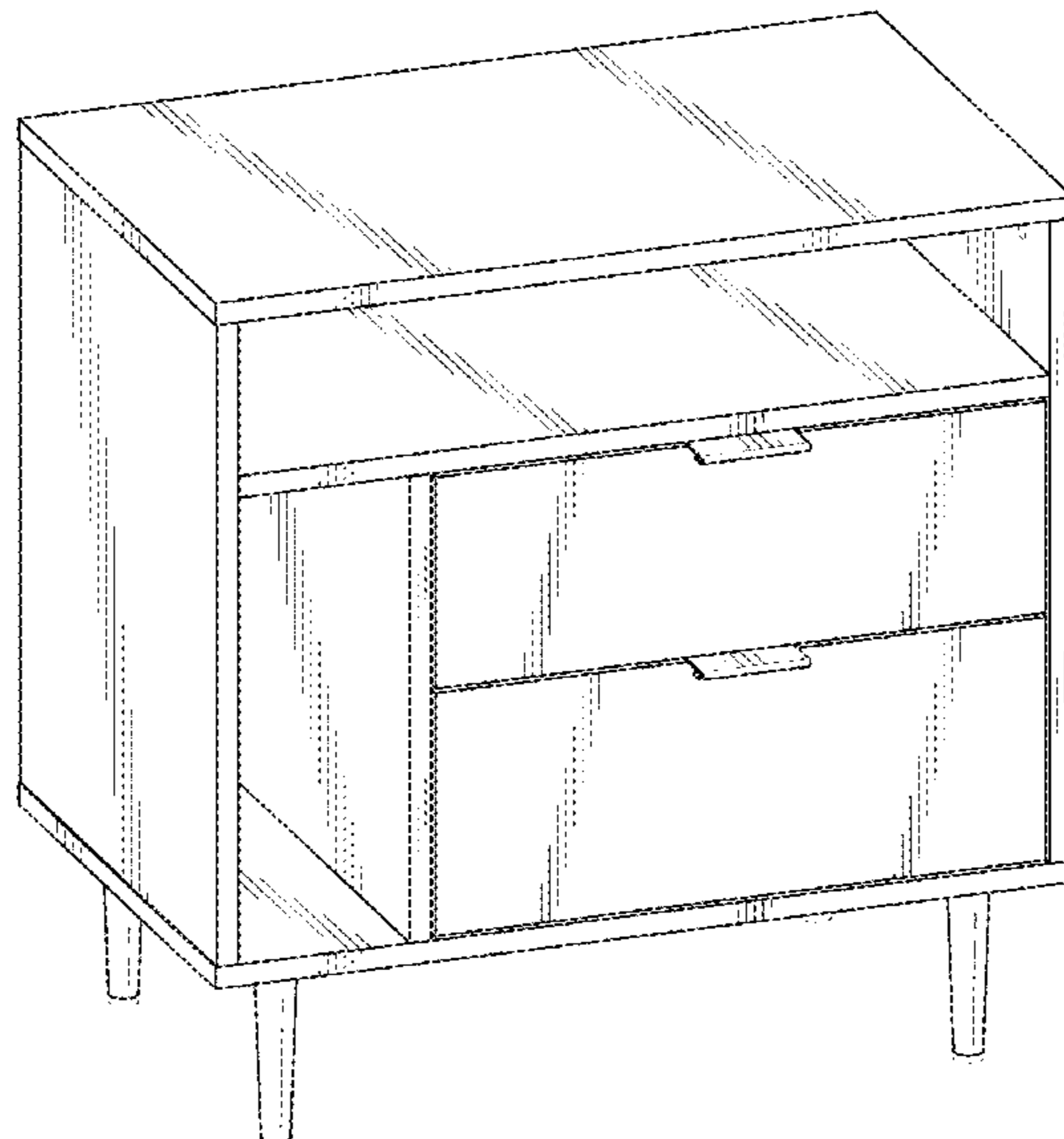
(57) **CLAIM**

The ornamental design for a nightstand, as shown and described.

**DESCRIPTION**

FIG. 1 is a front perspective view of a nightstand showing the new design;  
FIG. 2 is a front elevation view thereof;  
FIG. 3 is a back elevation view thereof;  
FIG. 4 is a top plan view thereof;  
FIG. 5 is a bottom plan view thereof;  
FIG. 6 is a right elevation view thereof; and,  
FIG. 7 is a left elevation view thereof.  
The broken lines in the drawings are for the purpose of illustrating portions of the article that form no part of the claimed design.

**1 Claim, 4 Drawing Sheets**



(56)

References Cited

U.S. PATENT DOCUMENTS

D384,525 S 10/1997 McBrayer  
 D388,634 S \* 1/1998 Mulligan ..... D6/657  
 D394,171 S 5/1998 De Blaay  
 D401,443 S 11/1998 Zaidman  
 D406,705 S \* 3/1999 Zaidman ..... D6/657  
 D408,169 S 4/1999 Welbom  
 D436,754 S 1/2001 Bellini  
 D440,071 S 4/2001 Hutton  
 D440,073 S 4/2001 Cain  
 D440,074 S 4/2001 Hutton  
 D440,427 S 4/2001 Melilo  
 D462,008 S 8/2002 Stone  
 D466,332 S 12/2002 Risdon  
 D475,225 S 6/2003 McBrayer  
 D485,451 S 1/2004 De Blois  
 D487,200 S 3/2004 Wanek  
 D488,002 S 4/2004 Wanek  
 D493,043 S 7/2004 Juneau  
 D495,527 S \* 9/2004 Walker ..... D6/657  
 D496,190 S 9/2004 Muhundro  
 D499,274 S 12/2004 Juneau  
 D502,821 S 3/2005 Muhundro  
 D503,297 S 3/2005 Muhundro  
 D506,089 S 6/2005 Muhundro  
 D508,347 S 8/2005 Juneau  
 D511,053 S 11/2005 Peterson  
 D512,247 S 12/2005 Prillaman  
 D515,842 S 2/2006 Peterson  
 D516,342 S 3/2006 Mohundro  
 D519,299 S 4/2006 Boudreau  
 D522,270 S 6/2006 Roeseler  
 D525,049 S 7/2006 Mohundro  
 D526,814 S 8/2006 Juneau  
 D529,309 S \* 10/2006 Juneau ..... D6/657  
 D531,835 S \* 11/2006 Harwanko ..... D6/662.1  
 D532,992 S 12/2006 Kingsley  
 D533,732 S 12/2006 Juneau  
 D542,057 S 5/2007 Juneau  
 D560,388 S 1/2008 Bacon  
 D569,127 S \* 5/2008 Kanthasamy ..... D6/657  
 D596,421 S 7/2009 Kanthasamy  
 D604,959 S 12/2009 Good  
 D609,496 S 2/2010 Kanthasamy  
 D626,635 S 11/2010 Thomas  
 D627,994 S \* 11/2010 Wahl ..... D6/708  
 D655,946 S \* 3/2012 Sexton ..... D6/661  
 D677,074 S \* 3/2013 Olson ..... D6/657  
 D718,956 S 12/2014 Helser  
 D725,410 S \* 3/2015 Park ..... D6/657  
 D738,142 S 9/2015 Glattstein  
 D747,123 S 1/2016 Zambelli  
 D805,814 S 12/2017 Ginestra  
 D805,817 S \* 12/2017 Beckman ..... D6/691.1  
 D812,935 S 3/2018 Hannoosh  
 D813,573 S 3/2018 Hannoosh  
 D815,465 S \* 4/2018 Hannoosh ..... D6/657  
 D815,466 S \* 4/2018 Hannoosh ..... D6/671.1  
 D815,467 S 4/2018 Hannoosh  
 D815,468 S 4/2018 Hannoosh  
 D818,745 S 5/2018 Hannoosh  
 D838,517 S 1/2019 Knox  
 D838,518 S 1/2019 Knox  
 D838,519 S 1/2019 Knox  
 D848,767 S 5/2019 Smrstick  
 D861,387 S 10/2019 Bray  
 D861,388 S 10/2019 Bray  
 D861,389 S 10/2019 Bray  
 D862,134 S 10/2019 Bray  
 D862,135 S 10/2019 Birch  
 D862,943 S 10/2019 Nakamura  
 D862,944 S 10/2019 Nakamura  
 D863,841 S 10/2019 Dumouchel  
 D867,033 S 11/2019 Bellini  
 D867,791 S 11/2019 Birch  
 D889,170 S 7/2020 Knox

D889,886 S 7/2020 Birch  
 D894,641 S 9/2020 Davis  
 D894,644 S 9/2020 Knox  
 D895,328 S 9/2020 Knox  
 D895,329 S 9/2020 Knox  
 D896,008 S 9/2020 Xiao  
 D904,802 S \* 12/2020 Davis ..... D6/657  
 D905,480 S 12/2020 Bakker  
 D906,020 S \* 12/2020 Davis ..... D6/657  
 D906,021 S \* 12/2020 Davis ..... D6/657  
 D906,739 S 1/2021 Bakker  
 D914,400 S \* 3/2021 Davis ..... D6/657  
 D922,798 S \* 6/2021 Packer ..... D6/657  
 D926,500 S \* 8/2021 Davis ..... D6/657  
 D927,230 S 8/2021 Stravitz  
 D929,159 S \* 8/2021 Davis ..... D6/671.1  
 D929,779 S 9/2021 Davis  
 D931,016 S \* 9/2021 Davis ..... D6/657  
 D935,237 S \* 11/2021 Davis ..... D6/657  
 D935,810 S \* 11/2021 Davis ..... D6/671.1  
 D939,868 S \* 1/2022 Chen ..... D6/671.1  
 2004/0055980 A1 3/2004 Krieger  
 2013/0126452 A1 5/2013 Lo  
 2013/0127316 A1 5/2013 Wu  
 2014/0231404 A1 8/2014 Struck

OTHER PUBLICATIONS

Elm 2—Drawer Storage Side Table by Forest Gate, first available: Jun. 24, 2021. Bedbathandbeyond.com [online], [site visited Jan. 4, 2022], Internet URL: <https://www.bedbathandbeyond.com/store/product/forest-gate-elm-2-drawer-storage-side-table/5425720?strategy=recentlyViewed> (Year: 2021).\*

Dark Walnut Modern Storage Side Table by Walker Edison, first available: Aug. 16, 2021. Bellacor.com [online], [site visited Jan. 4, 2022], Internet URL: <https://www.bellacor.com/productdetail/walker-edison-furniture-co-br25linnsdw-25-inch-dark-walnut-modern-storage-side-table-2232284.html> (Year: 2021).\*

Drawer Nightstand by Mercury Row, first available: Dec. 10, 2019. Wayfair.com [online], [site visited Jan. 5, 2022], Internet URL: <https://www.wayfair.com/furniture/pdp/mercury-row-annie-2-drawer-nightstand-w004497852.html?piid=718200567> (Year: 2019).\*

“Walker Edison Wood Dresser.” Found online Jun. 16, 2021 at [www.amazon.com](https://www.amazon.com/WE-Furniture-AZR6DDDRWT-Dresser-Walnut/dp/B07H35NSL3?th=1). Product first available Sep. 4, 2018. Retrieved from URL: <https://www.amazon.com/WE-Furniture-AZR6DDDRWT-Dresser-Walnut/dp/B07H35NSL3?th=1> (Year: 2018).

“Ikea 8-drawer dresser.” Found on line Jun. 16, 2021 at [www.amazon.com](https://www.amazon.com/8-drawer-dresser-white-stain-228-52617-3834/dp/B01LOE13SC). Product first available Aug. 25, 2016. Retrieved from URL: <https://www.amazon.com/8-drawer-dresser-white-stain-228-52617-3834/dp/B01LOE13SC> (Year: 2016).

“Vasagle End Table . . .” Oct. 1, 2018, [amazon.com](https://www.amazon.com/VASAGLE-Nightstand-Stackable-Compartment-Industrial/dp/B07B7LSKPQ/ref=cm_cr_ar_p_d_product_top?ie=UTF8), site visited Sep. 22, 2021 <[https://www.amazon.com/VASAGLE-Nightstand-Stackable-Compartment-Industrial/dp/B07B7LSKPQ/ref=cm\\_cr\\_ar\\_p\\_d\\_product\\_top?ie=UTF8](https://www.amazon.com/VASAGLE-Nightstand-Stackable-Compartment-Industrial/dp/B07B7LSKPQ/ref=cm_cr_ar_p_d_product_top?ie=UTF8)> (Year: 2018).

U.S. Appl. No. 29/677,754, dated Jun. 23, 2021, Office Action.

U.S. Appl. No. 29/698,929, dated Jul. 20, 2021, Notice of Allowance.

U.S. Appl. No. 29/698,933, dated Jul. 20, 2021, Notice of Allowance.

U.S. Appl. No. 29/698,934, dated Jul. 20, 2021, Notice of Allowance.

U.S. Appl. No. 29/743,596, dated Sep. 30, 2021, Notice of Allowance.

U.S. Appl. No. 29/743,597, dated Oct. 1, 2021, Notice of Allowance.

U.S. Appl. No. 29/767,920, filed Jan. 26, 2021, Duhadway.

U.S. Appl. No. 29/767,921, filed Jan. 26, 2021, Duhadway.

U.S. Appl. No. 29/767,926, filed Jan. 26, 2021, Duhadway.

U.S. Appl. No. 29/768,124, filed Jan. 27, 2021, Naylor.

YouTube; Bourbon Moth Woodworking; Mid Century Walnut Hutch Build/ How-To; Jul. 24, 2018; <https://www.youtube.com/watch?app=desktop&v=R8a4TynV67o&feature=youtu.be>.

(56)

## References Cited

## OTHER PUBLICATIONS

Appliancesconnection.com; Walker Edison Buffet BU52SV6D; retrieved on Mar. 11, 2021; <https://www.appliancesconnection.com/walker-edison-bu52sv6d.html>.

“Walker Edison Furniture AZR2DSLNSCA nightstand Caramel.” Found online Mar. 26, 2021 at [www.amazon.com](http://www.amazon.com). Product reviewed Apr. 15, 2019. Retrieved from URL: <https://www.amazon.com/WE-Furniture-AZR3DSLDRWT-Dresser-Walnut/dp/B07N26W6PG?th=1> (Year: 2019).

Eden Bridge Designs Mid Century Nightstand. Found online Mar. 26, 2021 at [www.amazon.co.uk](http://www.amazon.co.uk). Product first available Apr. 22, 2019. Retrieved from URL: [https://www.amazon.co.uk/WE-Furniture-Century-Nightstand-Storage/dp/B07QXLKMWW?ref\\_=ast\\_sto\\_dp&th=1](https://www.amazon.co.uk/WE-Furniture-Century-Nightstand-Storage/dp/B07QXLKMWW?ref_=ast_sto_dp&th=1) (Year: 2019).

“Sonoma 2-Drawer Walnut Nightstand by Bellamy Studios.” Found online Mar. 26, 2021 at [www.walmart.com](http://www.walmart.com). Product reviewed Mar. 21, 2020. Retrieved from URL: <https://tinyurl.com/2yahxxzc> (Year: 2020).

Eden Bridge Design Modern Midcentury Dresser. Found online Mar. 26, 2021 at [www.amazon.co.uk](http://www.amazon.co.uk). Product first available Jan. 23, 2019. Retrieved from URL: <https://tinyurl.com/r6uscnuw> (Year: 2019).

Walker Edison 3 Drawer. Found online Mar. 26, 2021 at [www.amazon.com](http://www.amazon.com). Product reviewed Apr. 15, 2019. Retrieved from URL: [https://www.amazon.com/WE-Furniture-AZR6DSLDRCA-Dresser-Caramel/dp/B07N28F4BL/ref=dp\\_fod\\_3?pd\\_rdJ=B07N26VX8S&th=1](https://www.amazon.com/WE-Furniture-AZR6DSLDRCA-Dresser-Caramel/dp/B07N28F4BL/ref=dp_fod_3?pd_rdJ=B07N26VX8S&th=1) (Year: 2019).

Desert Fields Sonoma 3-Drawer Caramel Dresser. Found online Mar. 26, 2021 at [www.walmart.com](http://www.walmart.com). Product reviewed May 16, 2019. Retrieved from URL: <https://www.walmart.com/ip/Desert-Fields-Sonoma-3-Drawer-Caramel-Dresser/753739235?selected=true> (Year: 2019).

“Eden Bridge Designs Dresser.” Found on line Mar. 26, 2021 at [www.amazon.co.uk](http://www.amazon.co.uk). Product first available Jan. 23, 2019. Retrieved from URL: <https://www.amazon.co.uk/WE-Furniture-Walker-Century-Dresser/dp/B07N26VX8S> (Year: 2019).

“Carson Carrington Gammelstaden Mid-century 6-drawer Dresser.” Found online Mar. 26, 2021 at [www.overstock.com](http://www.overstock.com). Product reviewed Jan. 24, 2019. Retrieved from URL: <https://tinyurl.com/3uxxs7vu> (Year: 2019).

“Desert Fields Sonoma 6-Drawer.” Found online Mar. 26, 2021 at [www.walmart.com](http://www.walmart.com). Product reviewed Feb. 6, 2019. Retrieved from URL: <https://tinyurl.com/bs9jfv9t> (Year: 2019).

“Walker Edison Furniture AZR6DSLDRCA Dresser Caramel.” Found online Mar. 26, 2021 at [www.amazon.com](http://www.amazon.com). Product reviewed May 25, 2019. Retrieved from URL: [https://www.amazon.com/WE-Furniture-AZR6DSLDRWT-Dresser-Walnut/dp/B07N26VX8S/ref=dp\\_fod\\_2?pd\\_rd\\_i=B07N27XGSC&th=1](https://www.amazon.com/WE-Furniture-AZR6DSLDRWT-Dresser-Walnut/dp/B07N26VX8S/ref=dp_fod_2?pd_rd_i=B07N27XGSC&th=1) (Year: 2019).

Bridgeport by Hopewood; Found online on Mar. 29, 2021 at <https://hubbingtons.com/product-category/bridgeport-by-hopewood/>.

Dovetail Furniture DOV Bridgeport Chest Grey; Found online on Mar. 29, 2021 at <https://www.goodshomefurnishings.com/dovetail-furniture-bridgeport-chest-grey/dov18028-p71/iteminformation.aspx>.

Renegar 2 Door Accent Cabinet; Wayfair.com; found online Apr. 21, 2021; retrieved May 3, 2021 (online); <https://www.wayfair.com/furniture/pdp/gracie-oaks-renegar-2-door-accent-cabinet-w001524010.html>.

Albright TV Stand; Wayfair.com; found online Apr. 21, 2021; retrieved May 3, 2021 (online); <https://www.wayfair.com/furniture/pdp/three-posts-albright-tv-stand-w003419693.html?placement-1>.

West Elm Website “furniture” search; Westelm.com; retrieved Apr. 20, 2020 (online); [https://www.westelm.com/shop/furniture/?searchredir=true&cm\\_sp=HeaderLinks-\\_-OnsiteSearch-\\_-MainSite&cm\\_type=OnsiteSearch&term=furniture&searchredirtype=br](https://www.westelm.com/shop/furniture/?searchredir=true&cm_sp=HeaderLinks-_-OnsiteSearch-_-MainSite&cm_type=OnsiteSearch&term=furniture&searchredirtype=br).

Walker Edison Blog Post, How to Style an Entryway to Impress; walkerredisonshop.com; retrieved Apr. 8, 2021 (online); <https://walkerredisonshop.com/blogs/news>.

Raymour Flanigan Website “Living Rooms” search; raymourflanigan.com; retrieved Nov. 6, 2020 (online); <https://raymourflanigan.com/living-rooms>.

Crate and Barrel Website “Business Interior Design” search; crateandbarrel.com; retrieved Nov. 6, 2020 (online); [https://www.crateandbarrel.com/trade-program/?a=784&campaignid=1061902950&adgroupid=55881134521&targetid=aud-1097585102856:kwd-415008832538&adpos=&creative=251673559670&device=c&matchtype=e&network=g&gclid=Cj0KCQjwytOEBhD5ARIsANnRjVgCRKameP5yMquG6rsNP7KAU-nUpzG5NfgZU-PhRCRUgz507ltMaAhvLEALw\\_wcB](https://www.crateandbarrel.com/trade-program/?a=784&campaignid=1061902950&adgroupid=55881134521&targetid=aud-1097585102856:kwd-415008832538&adpos=&creative=251673559670&device=c&matchtype=e&network=g&gclid=Cj0KCQjwytOEBhD5ARIsANnRjVgCRKameP5yMquG6rsNP7KAU-nUpzG5NfgZU-PhRCRUgz507ltMaAhvLEALw_wcB).

Home Depot—Bridgeport Collection in Antique White; homedepot.com; retrieved May 13, 2020 (online); <https://www.homedepot.com/s/bridgeport%2520collection%2520in%2520antique%2520white?NCNI=5>.

Stuart David—Bridgeport; stuartdavid.com; retrieved May 13, 2020 (online); [https://www.stuartdavid.com/search?product\\_search\\_api\\_fulltext=Bridgeport&search\\_api\\_views\\_submit=Submit](https://www.stuartdavid.com/search?product_search_api_fulltext=Bridgeport&search_api_views_submit=Submit).

Ohio Hardwood Furniture—Bridgeport 3 Drawer Armoire; ohiohardwoodfurniture.com; retrieved May 13, 2020 (online); <https://www.ohiohardwoodfurniture.com/products/bridgeport-3-drawer-armoire>.

Cabinfield—Brideport Series; cabinfield.com; retrieved May 13, 2020 (online); <https://www.cabinfield.com/fine-furniture/bedroom/contemporary-collection/bridgeport-series-6281>.

Stacy Furniture—Lexington Bedroom Bridgeport Bachelors Chests; stacyfurniture.com; retrieved May 13, 2020 (online); <https://www.stacyfurniture.com/lexington-bridgeport-bachelors-chest/714-624-8/iteminformation.aspx>.

Winhome Furniture Collection, found online May 20, 2021 at <https://www.whfurni.com/collections/all>, and retrieved Jun. 3, 2021.

U.S. Appl. No. 29/698,929, dated Apr. 2, 2021, Final Office Action.

U.S. Appl. No. 29/698,933, dated Apr. 2, 2021, Office Action.

U.S. Appl. No. 29/698,934, dated Apr. 2, 2021, Office Action.

Carson Carrington Longyearbyen Mid-century Modern Nightstand, Overstock.com, review date with photograph of Jan. 22, 2019, site visited Dec. 9, 2020, available online at <https://www.overstock.com/Home-Garden/Carson-Carrington-Longyearbyen-20-inch-Mid-century-2-drawer-Nightstand/25482942/customer-reviews.html> (Year: 2019).

Mid-Century Solid Pine Three-Drawer Storage Chest, Middlebrook Designs, Overstock.com, review date with photo of Jun. 8, 2019, site visited Dec. 9, 2020, available online at <https://www.overstock.com/Home-Garden/Mid-Century-3-Drawer-Chest/25483239/customer-reviews.html> (Year: 2019).

West Elm Mid-Century 6-Drawer Dresser, Copycatchic.com, Apr. 7, 2016, site visited Dec. 10, 2020, available online at <https://www.bloglovin.com/blogs/copy-cat-chic-1715405/west-elm-mid-century-6-drawer-dresser-425048972> (Year: 2016).

U.S. Appl. No. 29/698,929, dated Dec. 14, 2020, Office Action.

U.S. Appl. No. 29/698,933, dated Dec. 17, 2020, Office Action.

U.S. Appl. No. 29/698,934, dated Dec. 17, 2020, Office Action.

U.S. Appl. No. 29/677,754, filed Jan. 23, 2019, Davis.

U.S. Appl. No. 29/698,929, filed Jul. 22, 2019, Davis.

U.S. Appl. No. 29/698,933, filed Jul. 22, 2019, Davis.

U.S. Appl. No. 29/698,934, filed Jul. 22, 2019, Davis.

U.S. Appl. No. 29/699,073, filed Jul. 23, 2019, Davis.

U.S. Appl. No. 29/721,169, filed Jan. 17, 2020, Davis.

U.S. Appl. No. 29/743,596, filed Jul. 22, 2020, Packer.

U.S. Appl. No. 29/743,597, filed Jul. 22, 2020, Packer.

Pinterest; 5050 Lacquered bedside table by Molteni & C.; <https://www.pinterest.com/pin/33636328453042318/>; Retrieved on Oct. 15, 2018.

Archiproducts; 5050 Lacquered bedside table by Molteni & C.; [https://www.archiproducts.com/en/products/molteni-c/wooden-bedside-table-with-drawers-5050-lacquered-bedside-table\\_246952](https://www.archiproducts.com/en/products/molteni-c/wooden-bedside-table-with-drawers-5050-lacquered-bedside-table_246952); Retrieved on Oct. 15, 2018

Pinterest; Cabinet Furniture; Furniture Design collezione 2011 Ottoman Box by Aksu <https://www.pinterest.com/pin/33636328452974953/>; Retrieved on Nov. 25, 2019

Cole; Container; <http://coletalia.com/product/ottoman-box/>; Retrieved on Nov. 25, 2019

(56)

**References Cited**

OTHER PUBLICATIONS

U.S. Appl. No. 29/699,073, dated Sep. 16, 2020, Notice of Allowance.

Door Square Accent Cabinet by Ivy Bronx, first available: Aug. 8, 2019. Wayfair.com [online], [site visited Jan. 5, 2022], Internet URL: <https://www.wayfair.com/furniture/pdp/ivy-bronx-glenni-2-door-square-accent-cabinet-woo1062885.html?piid=1466162072> (Year: 2019).

Accent Entryway Bar Cabinet by Walker Edison, first available: Jul. 1, 2020. Amazon.com [online], [site visited Jan. 5, 2022], Internet URL: <https://www.amazon.com/Walker-Edison-Furniture-Company-AZF30ADDSG/dp/B07VK78VKD?th=1> (Year: 2020).

Storage Cabinet by Forest Gate, first available: Apr. 1, 2020. Bedbathandbeyond.com [online], [site visited Jan. 5, 2022], Internet URL: <https://www.bedbathandbeyond.com/store/product/forest-gate-modern-30-inch-storage-cabinet/5438479?> (Year: 2020).

U.S. Appl. No. 29/801,171, filed Jul. 27, 2021, Duhadway.

U.S. Appl. No. 29/824,076, filed Jan. 21, 2022, Naylor.

U.S. Appl. No. 29/677,754, dated Oct. 20, 2021, Notice of Allowance.

U.S. Appl. No. 29/743,597, dated Nov. 12, 2021, Notice of Allowance.

U.S. Appl. No. 29/721,169, dated Jan. 28, 2022, Office Action.

\* cited by examiner

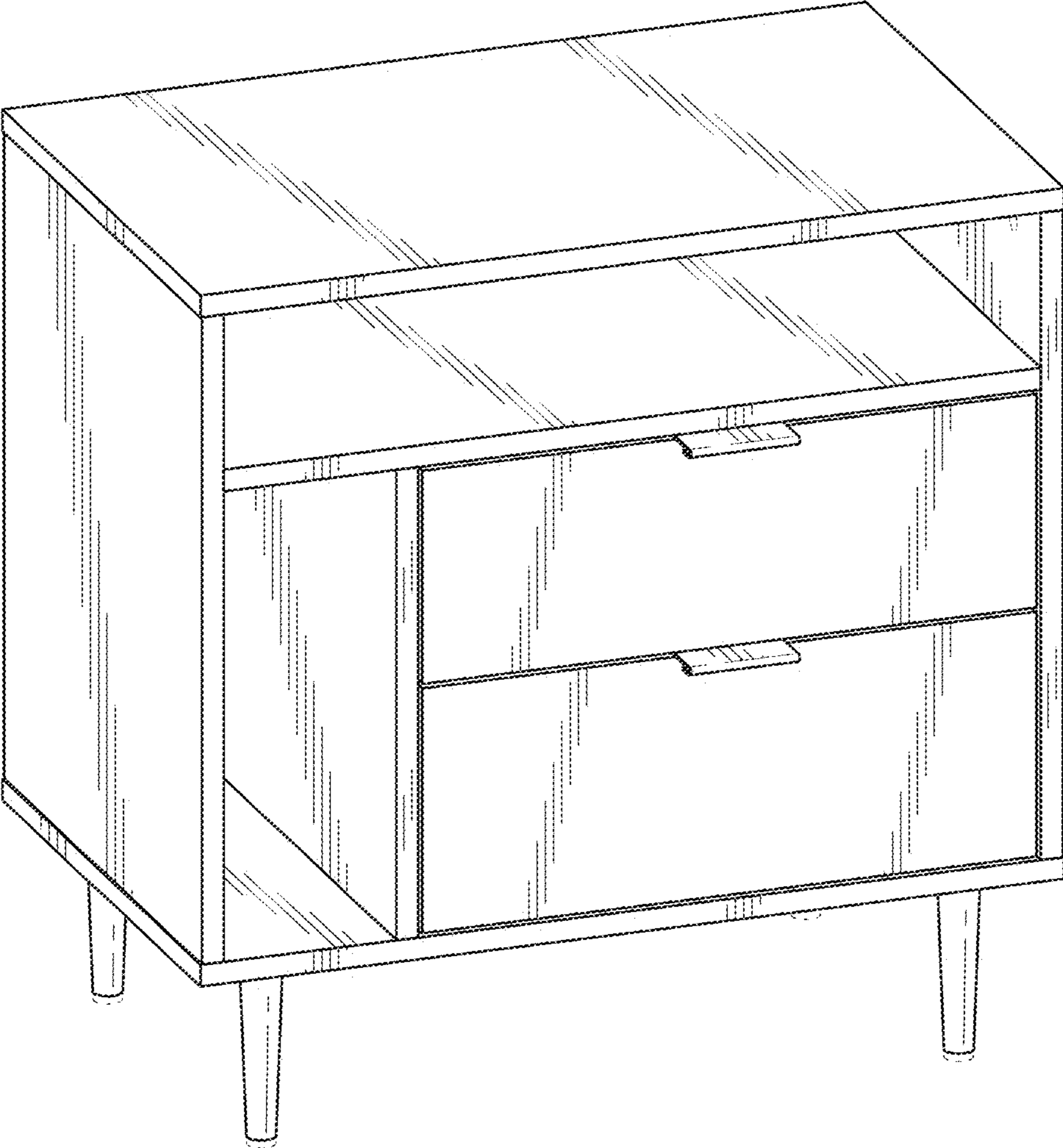


FIG. 1

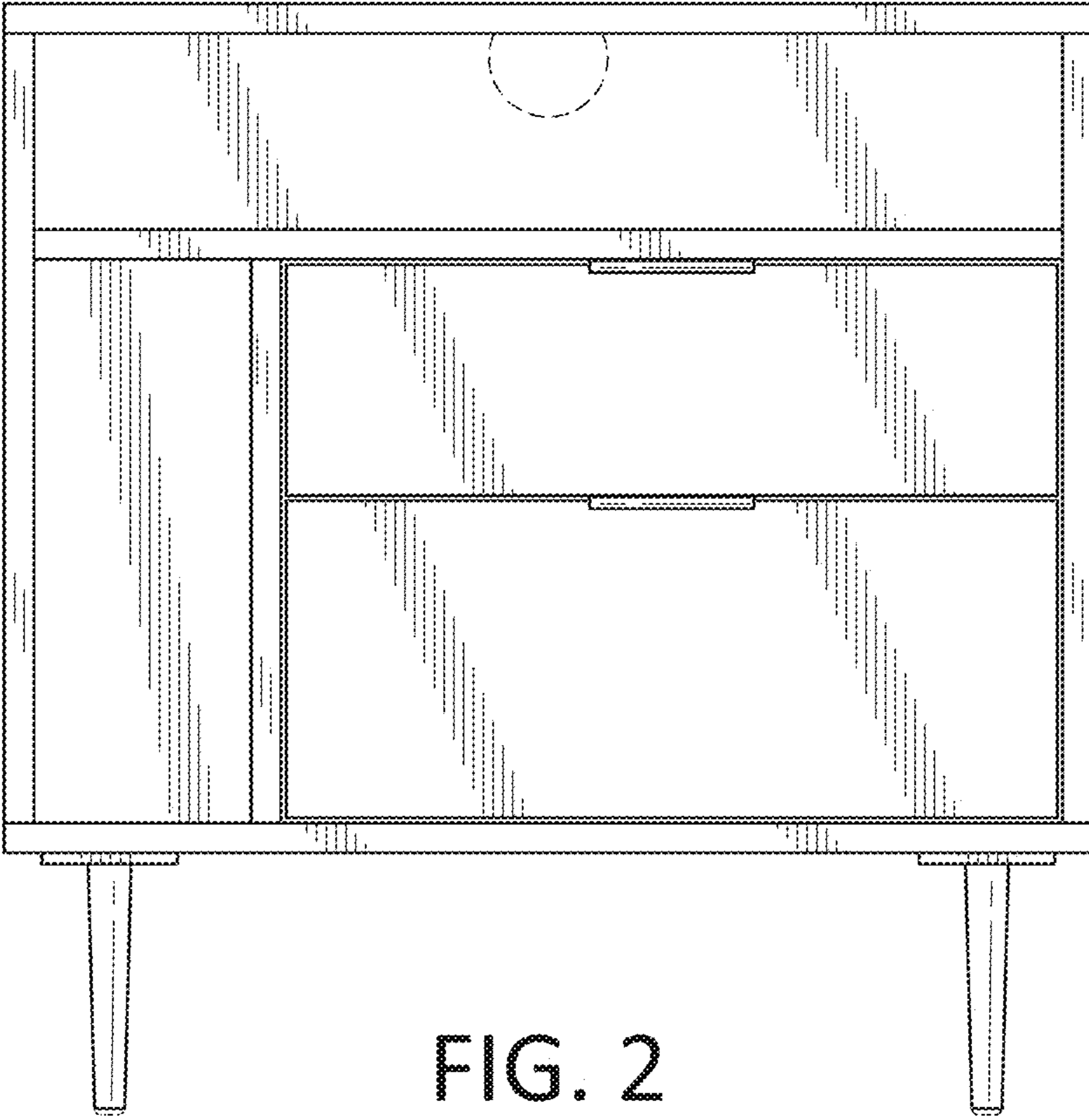


FIG. 2

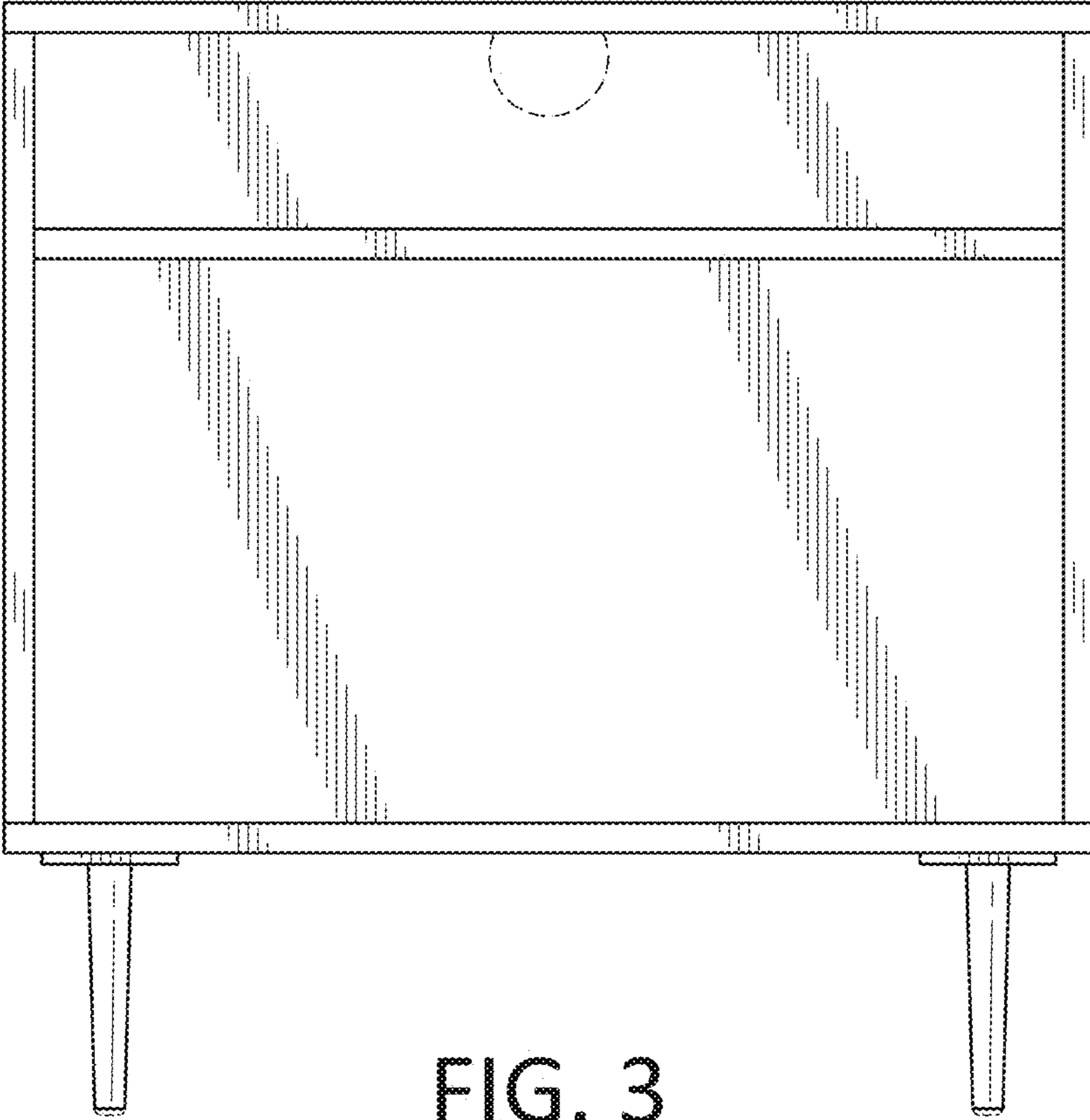


FIG. 3

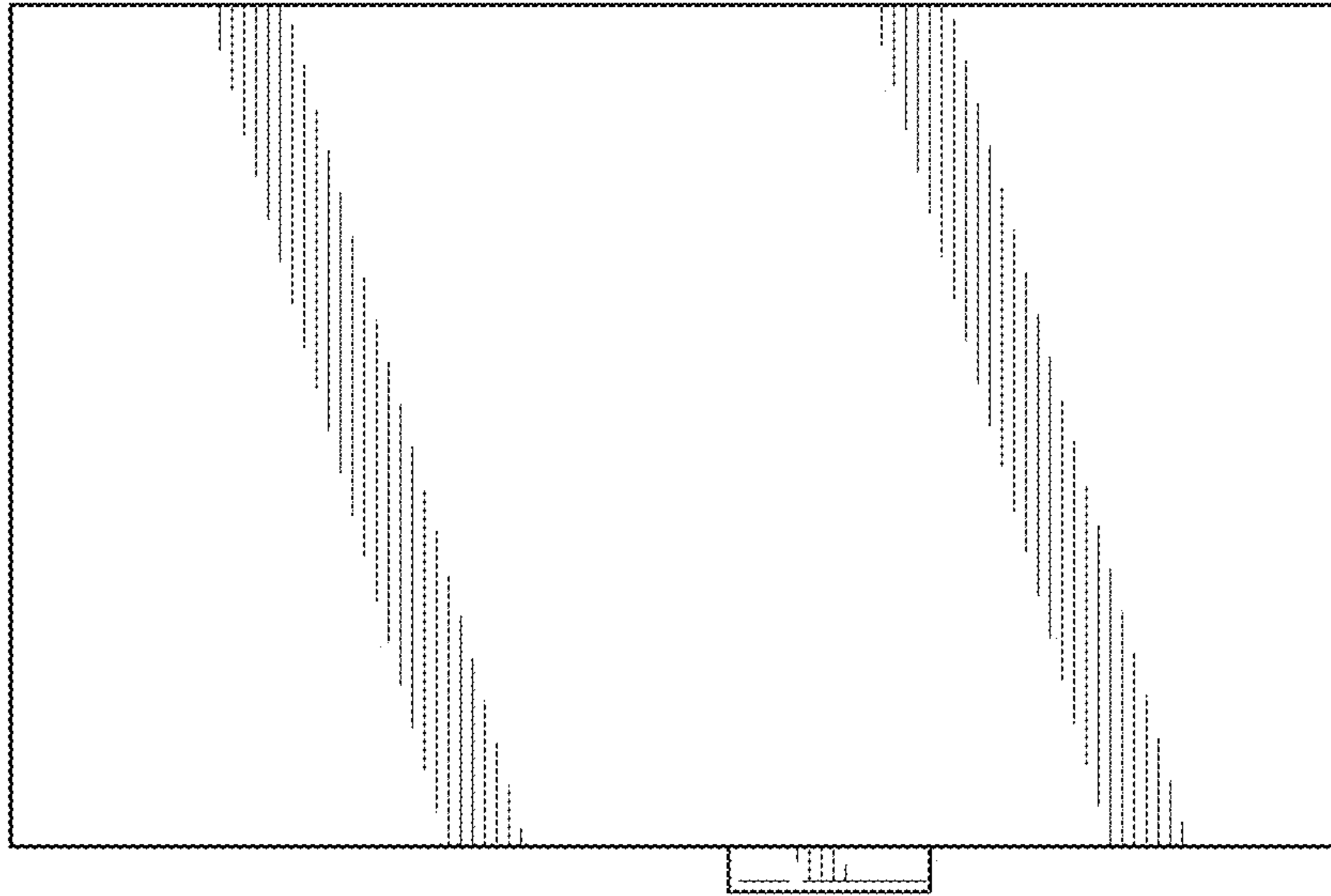


FIG. 4

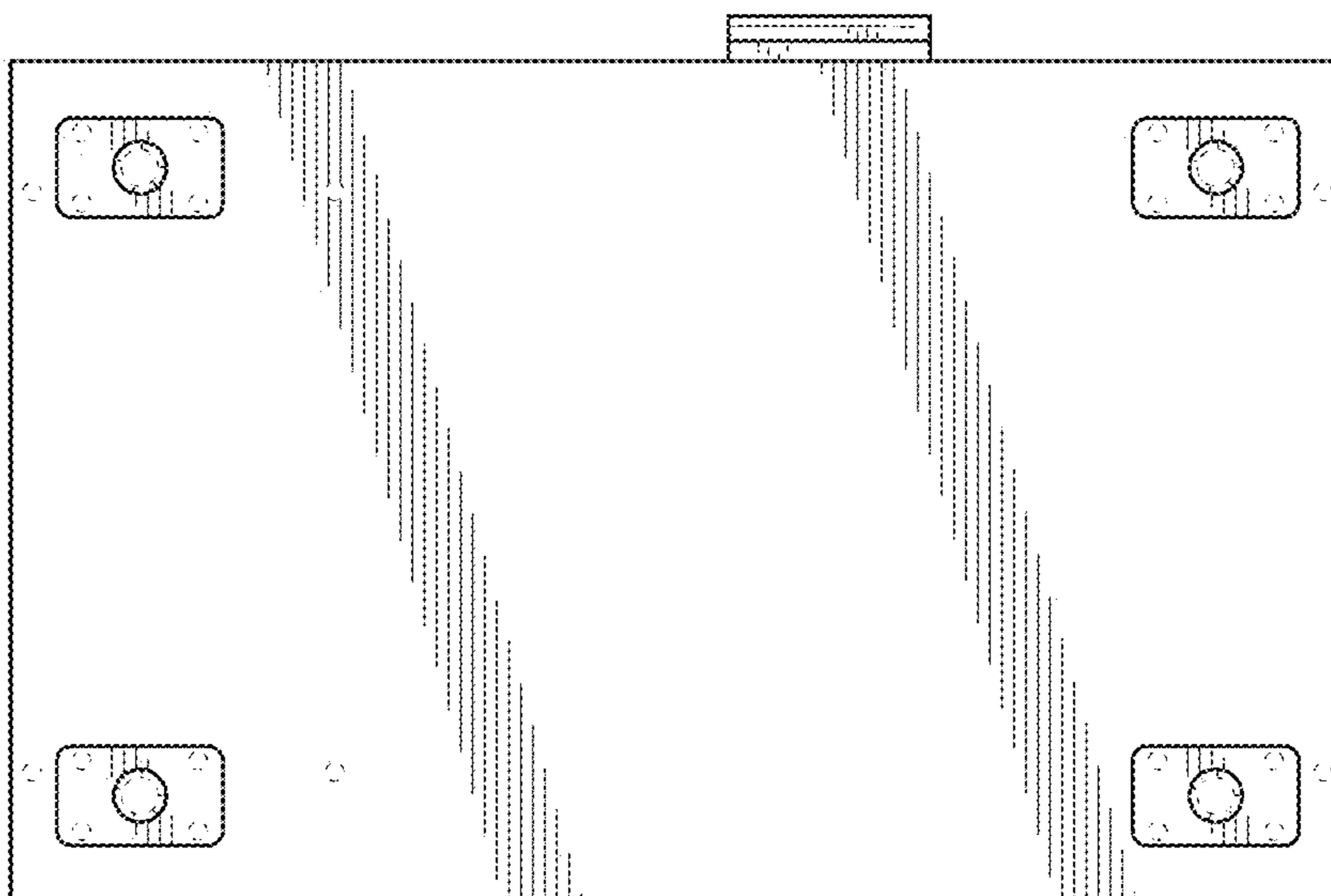


FIG. 5

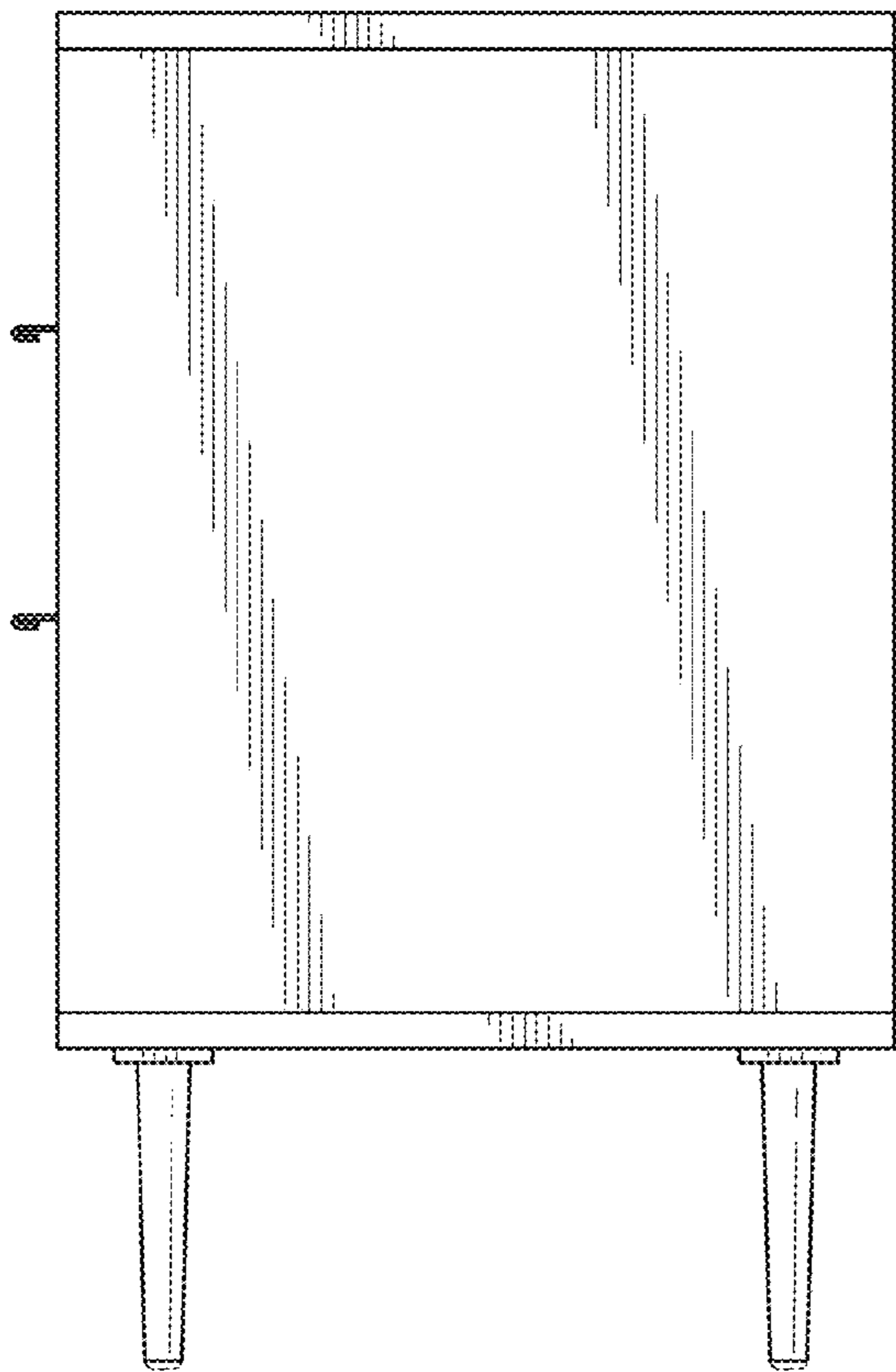


FIG. 6

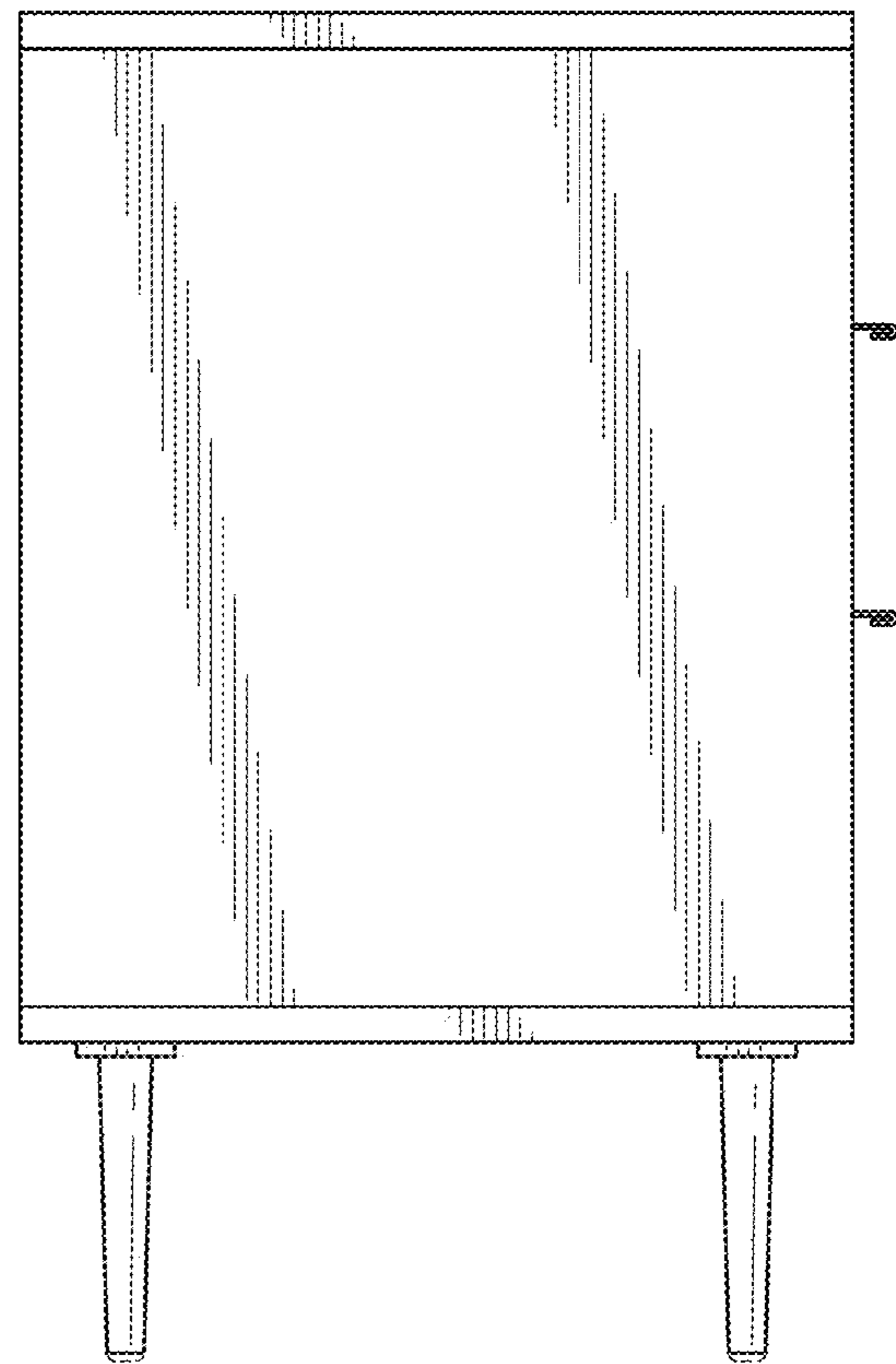


FIG. 7