



US00D957164S

(12) **United States Design Patent**
Wendling

(10) **Patent No.:** **US D957,164 S**
(45) **Date of Patent:** **** Jul. 12, 2022**

(54) **CORNER DEVICE FOR A FLOOR COVERING**

1,430,981 A 10/1922 Goldhwaite
1,509,047 A 9/1924 Lindhorst
1,526,261 A 2/1925 Wachs

(Continued)

(71) Applicant: **Just Fur Love LLC**, Boston, MA (US)

(72) Inventor: **Allan Wendling**, New Lothrop, MI (US)

(73) Assignee: **Just Fur Love, LLC**, Boston, MA (US)

(**) Term: **15 Years**

(21) Appl. No.: **29/780,068**

(22) Filed: **Apr. 22, 2021**

Related U.S. Application Data

(60) Division of application No. 29/723,487, filed on Feb. 7, 2020, now Pat. No. Des. 917,925, which is a continuation-in-part of application No. 29/705,828, filed on Sep. 16, 2019, now Pat. No. Des. 932,799.

(51) **LOC (13) Cl.** **06-11**

(52) **U.S. Cl.**
USPC **D6/582**

(58) **Field of Classification Search**
USPC D6/582; D8/16, 19, 403
CPC A47G 27/02; A47G 27/0206; A47G 27/0212; A47G 27/0218; A47G 27/0225; A47G 27/0231; A47G 27/0237; A47G 27/0275; A47G 27/0293; A47G 9/062; A47L 23/26; A47L 23/266
See application file for complete search history.

(56) **References Cited**

U.S. PATENT DOCUMENTS

168,063 A 9/1875 Tayloe
441,099 A 11/1890 Iioyt
632,911 A 9/1899 Berry
882,859 A 3/1908 Ammerman
922,703 A 5/1909 Knapp
1,182,764 A 5/1916 Harral

FOREIGN PATENT DOCUMENTS

GB 264447 A 2/1927
GB 2282965 A 4/1995

OTHER PUBLICATIONS

Make Your Own Bench Cookies for Cheap With Lee Valley Bench Pucks; Toolguyd.com; Sep. 8, 2011; Accessed on Feb. 12, 2020; (Year 2011); 8 pgs.

(Continued)

Primary Examiner — Eliza Z Harvey

(74) *Attorney, Agent, or Firm* — Wolf, Greenfield & Sacks, P.C.

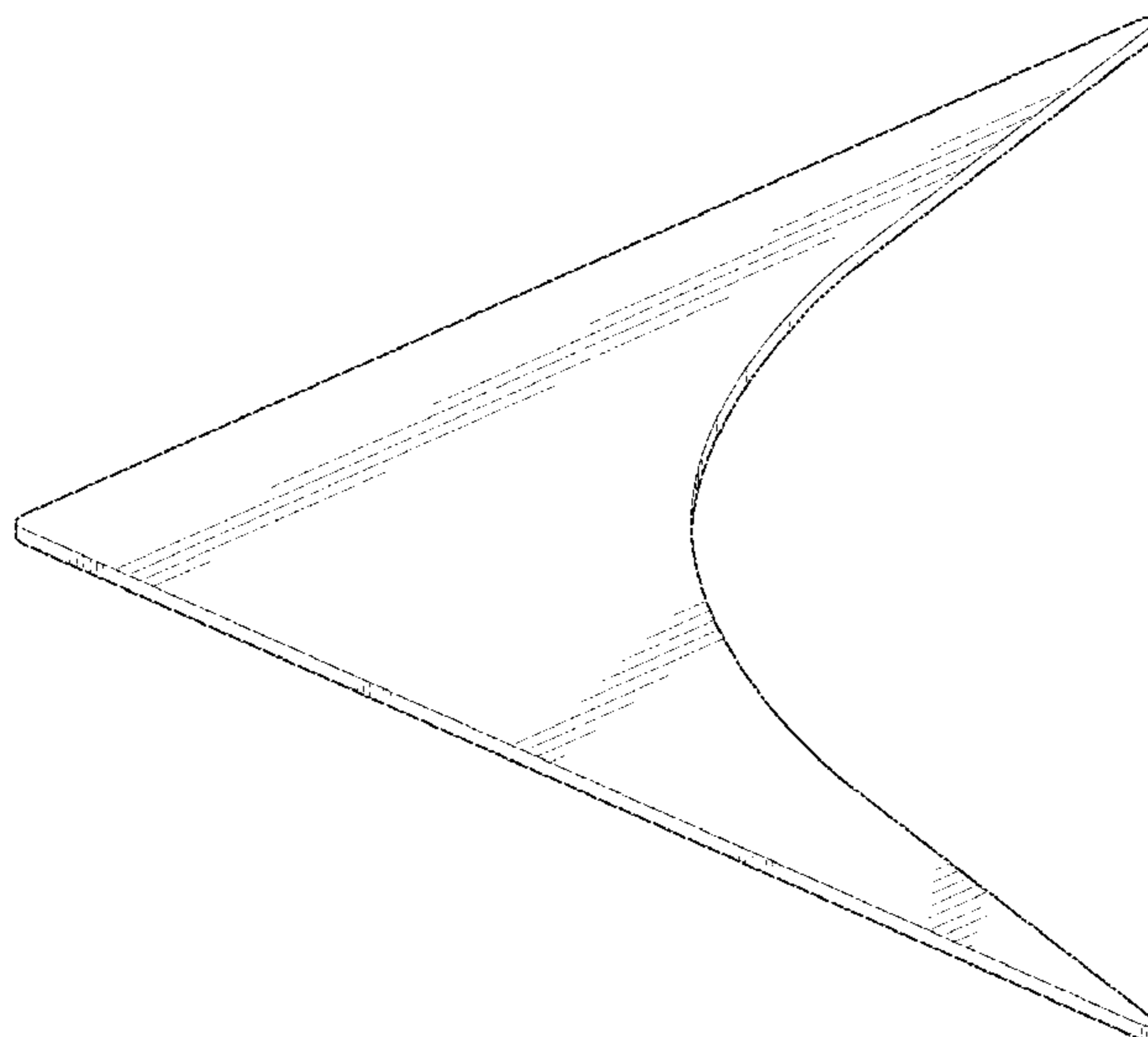
(57) **CLAIM**

The ornamental design for a corner device for a floor covering, as shown and described.

DESCRIPTION

FIG. 1 is a perspective view of a corner device for a floor covering showing the new design;
FIG. 2 is a top plan view of the corner device for a floor covering of FIG. 1;
FIG. 3 is a bottom plan view of the corner device for a floor covering of FIG. 1;
FIG. 4 is a left elevation view of the corner device for a floor covering of FIG. 1;
FIG. 5 is a right elevation view of the corner device for a floor covering of FIG. 1;
FIG. 6 is a front elevation view of the corner device for a floor covering of FIG. 1; and,
FIG. 7 is a rear elevation view of the corner device for a floor covering of FIG. 1.

1 Claim, 3 Drawing Sheets



(56)

References Cited

U.S. PATENT DOCUMENTS

1,573,828	A	2/1926	Hamilton	
1,598,127	A	8/1926	Fleming	
2,042,692	A	6/1936	Wurzburg	
2,236,465	A	3/1947	Carlson	
2,736,976	A	3/1956	Richthamer	
3,071,777	A	1/1963	Miller	
3,203,125	A	8/1965	Stoessel	
3,559,273	A	2/1971	Porzio	
D230,807	S	3/1974	Penson	
4,217,164	A	8/1980	La Mers	
4,464,834	A	8/1984	Simms	
4,597,206	A	7/1986	Benson	
4,636,047	A	1/1987	Green	
4,681,786	A	7/1987	Brown	
4,853,268	A	8/1989	Hansen	
4,998,319	A	3/1991	Ford	
5,003,664	A	4/1991	Wong	
D330,988	S	11/1992	Robbins	
5,305,538	A	4/1994	Kanzelberger	
5,411,167	A	5/1995	Weder	
5,450,046	A	9/1995	Kosugi et al.	
5,712,767	A	1/1998	Koizumi	
D400,780	S	11/1998	Wurdack	
5,966,757	A	10/1999	Sullivan	
D420,658	S	2/2000	Eyler	
6,022,617	A	2/2000	Calkins	
6,120,565	A	9/2000	Dix et al.	
6,216,315	B1	4/2001	Fuzzell	
6,230,446	B1	5/2001	Cilalicil	
D444,010	S	6/2001	Ambrosio	
D453,339	S	2/2002	Pentz	
D453,517	S	2/2002	Pentz	
6,385,812	B1	5/2002	Iverson	
6,460,303	B1	10/2002	Pacione	
D474,537	S	5/2003	Hantke et al.	
6,558,786	B1	5/2003	Jupina	
6,673,409	B1	1/2004	Wheatley	
7,342,850	B2	3/2008	Martens et al.	
D569,064	S	5/2008	Hinder et al.	
7,397,734	B2	7/2008	Martens et al.	
D575,332	S	8/2008	Parker et al.	
D616,020	S	5/2010	Hoppus et al.	
D630,877	S	1/2011	Howie	
D638,526	S	5/2011	Newman	
D639,408	S	6/2011	Newman	
8,124,017	B2	2/2012	Harold et al.	
D659,323	S	5/2012	Davis	
D661,446	S	6/2012	Davis	
D669,759	S	10/2012	Castilleja et al.	
D674,641	S	1/2013	Daniel	
8,485,712	B2	7/2013	Huang et al.	
D706,551	S	6/2014	Lawrence et al.	
D748,202	S	1/2016	Kennedy	
D753,983	S	4/2016	Toye	
D763,843	S	8/2016	Gustaveson, II	
D764,592	S	8/2016	Zenoff	
D769,144	S	10/2016	Dingus et al.	
D798,781	S	10/2017	Adkins	
D851,702	S	6/2019	Goldstein et al.	
10,357,122	B2	7/2019	Wendling	
10,368,675	B2	8/2019	Wendling	
D864,069	S	10/2019	Fichter et al.	
D864,609	S	10/2019	Lagun et al.	
D873,050	S	1/2020	Wendling	
D917,204	S *	4/2021	Wendling	D6/587
D926,493	S *	8/2021	Lagun	D6/582
2001/0044964	A1	11/2001	Phillips	
2002/0004114	A1	1/2002	Leaphart, Jr. et al.	
2002/0020016	A1	2/2002	Lyons	
2003/0203152	A1	10/2003	Higgins et al.	
2004/0068830	A1	4/2004	Sandeman	

2004/0093687	A1	5/2004	Bushey
2004/0123421	A1	7/2004	Bushey
2005/0025926	A1	2/2005	Risi et al.
2005/0257341	A1	11/2005	Chen et al.
2006/0127628	A1	6/2006	Price
2006/0191218	A1	8/2006	Pacione
2007/0220673	A1	9/2007	Nichols
2008/0052827	A1	3/2008	DeIntinis
2008/0152860	A1	6/2008	Meyer
2008/0229501	A1	9/2008	Hutchison
2009/0250367	A1	10/2009	Murdoch et al.
2011/0059830	A1	3/2011	Reese
2011/0074128	A1	3/2011	Chang
2012/0073081	A1	3/2012	Crenshaw, Sr.
2012/0284917	A1	11/2012	Nirmel
2012/0285613	A1	11/2012	Bongiovanni et al.
2014/0068858	A1	3/2014	Wambeke
2014/0141201	A1	5/2014	Berner et al.
2014/0141204	A1	5/2014	Calkins
2015/0013065	A1	1/2015	Ketcham
2016/0029826	A1	2/2016	Bongiovanni et al.
2016/0037944	A1	2/2016	Savignano
2016/0135632	A1	5/2016	Wendling
2016/0135633	A1	5/2016	Wendling
2017/0105563	A1	4/2017	Dawson et al.
2018/0049574	A1	2/2018	Wendling

OTHER PUBLICATIONS

Self-Stick Non-Slip Surface Grip Pads by SoftTouch; Sold on Amazon.com; Mar. 31, 2009 (Year: 2009); 9 pgs.

Mr Ton Rug Gripper, Anti Curling Non Slip Rug Pad with Renewable Gripper Tape for Indoor & Outdoor Carpet Mat, Door Mat, Ideal for All Flat Floor Type, 8 pcs, Large Size, Amazon, May 15, 2018, <https://www.amazon.com/Mr-Ton-gripper-curling-renewable-outdoor/dp/B07D39P457>, 1 pg.

Rug Grippers by Bowerbird 8 pcs, "Anti Curling Non Slip Rug Gripper Flatten Rug Corners Stop Sliding Ideal Alternative To Rug Pad Carpet Tape and Rug Tape for Hard Floors" B078J1279D PcJ548JA, Let's Go Shopping Dec. 20, 2917, http://111.midwestaginsurance.net/rug-pads-ff-18_20/rug-grippers-by-bowerbird-8-pcs-anti-curling-anmd-non-slip-rug-gripper-flatten-rug-corners-stop-sliding-ideal-alternative-to-rug-pad-carpet-tape-and-rug-tape-for-hard-floors-b078j1279d-pcj548ja-gg-4664.html, 1 pg.

Rug Grippers X-Protector—New 8 pcs Anti Curling Rug Gripper—Rug Pad, Keeps your Rug in Place & Corners Flat, Carpet Gripper Renewable Gripper Tape—Rug Tape. Original Brand—Avoid the Copies!, Amazon, Sep. 1, 2017, <https://www.amazon.com/x-protector-grippers-anti-curling-gripper/dp/B07C2PVZ9BV>; 1 pg.

Election Restriction pertaining to U.S. Appl. No. 29/723,518 dated Jun. 29, 2020.

Election Restriction pertaining to U.S. Appl. No. 29/723,488 dated Jun. 29, 2020.

NeverCurl's Best V Shape Design to Instantly Stops Rug Corner Curling by iPrimio. Amazon.com. Dec. 25, 2014. <<https://www.amazon.com/NeverCurl-Instantly-Curling-floors-anti-slip/dp/BOOPBQ7EA2/>>. Accessed on Apr. 30, 2019.

Rug Anchors Carpet Hook and Loop Non-slip Mat Anti-skid Stickers by Yorwe. Amazon.com. Dec. 19, 2016. <<https://www.amazon.com/dp/B01N36UYZP>>. Accessed on Apr. 30, 2019.

Rug Grippers by Befayoo. Amazon.com. Jul. 25, 2018. <<https://wwwv.amazon.com/dp/B07FY1C72Z>>. Accessed on Apr. 30, 2019. (Year: 2018).

Rug Pads for Hardwood Floors & Outdoor Rugs by DAGEDA. Amazon.com. Feb. 22, 2019. <<https://www.amazon.com/dp/B07P2G4QYB>>. Accessed on Apr. 30, 2019.

U.S. Appl. No. 29/723,487, filed Feb. 7, 2020, Allan Wendling.

U.S. Appl. No. 29/705,828, filed Oct. 16, 2019, Allan Wendling.

* cited by examiner

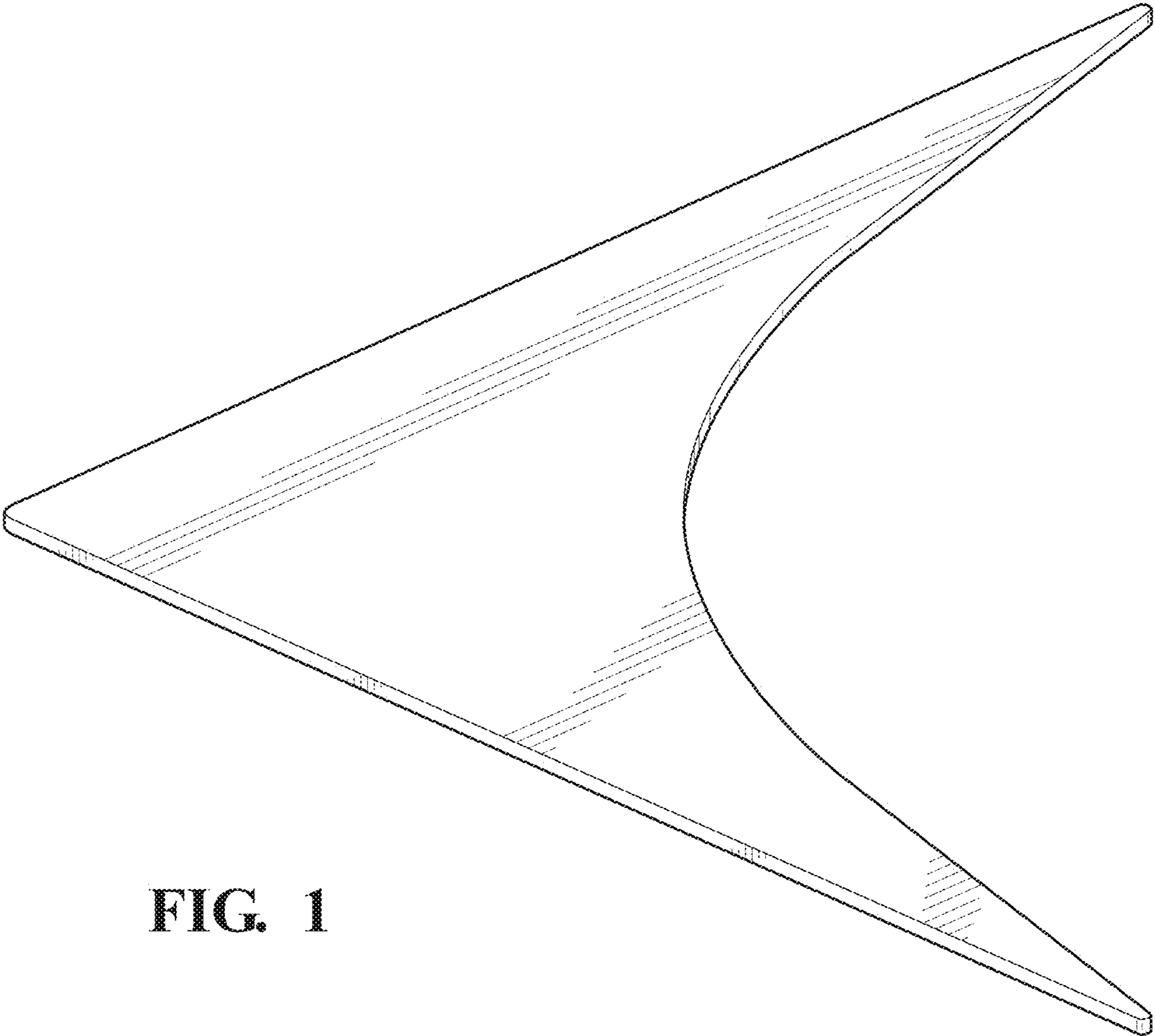


FIG. 1

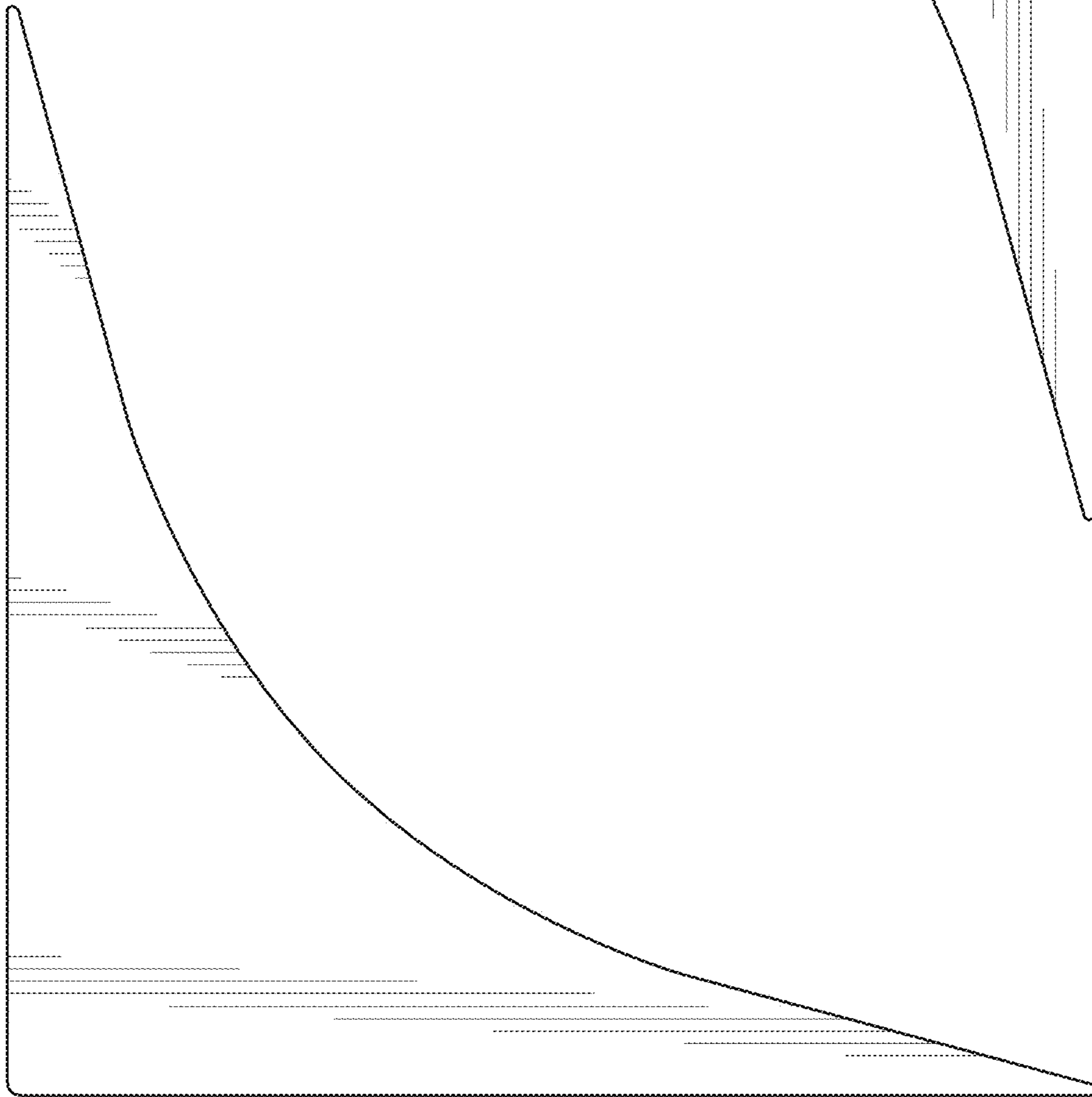
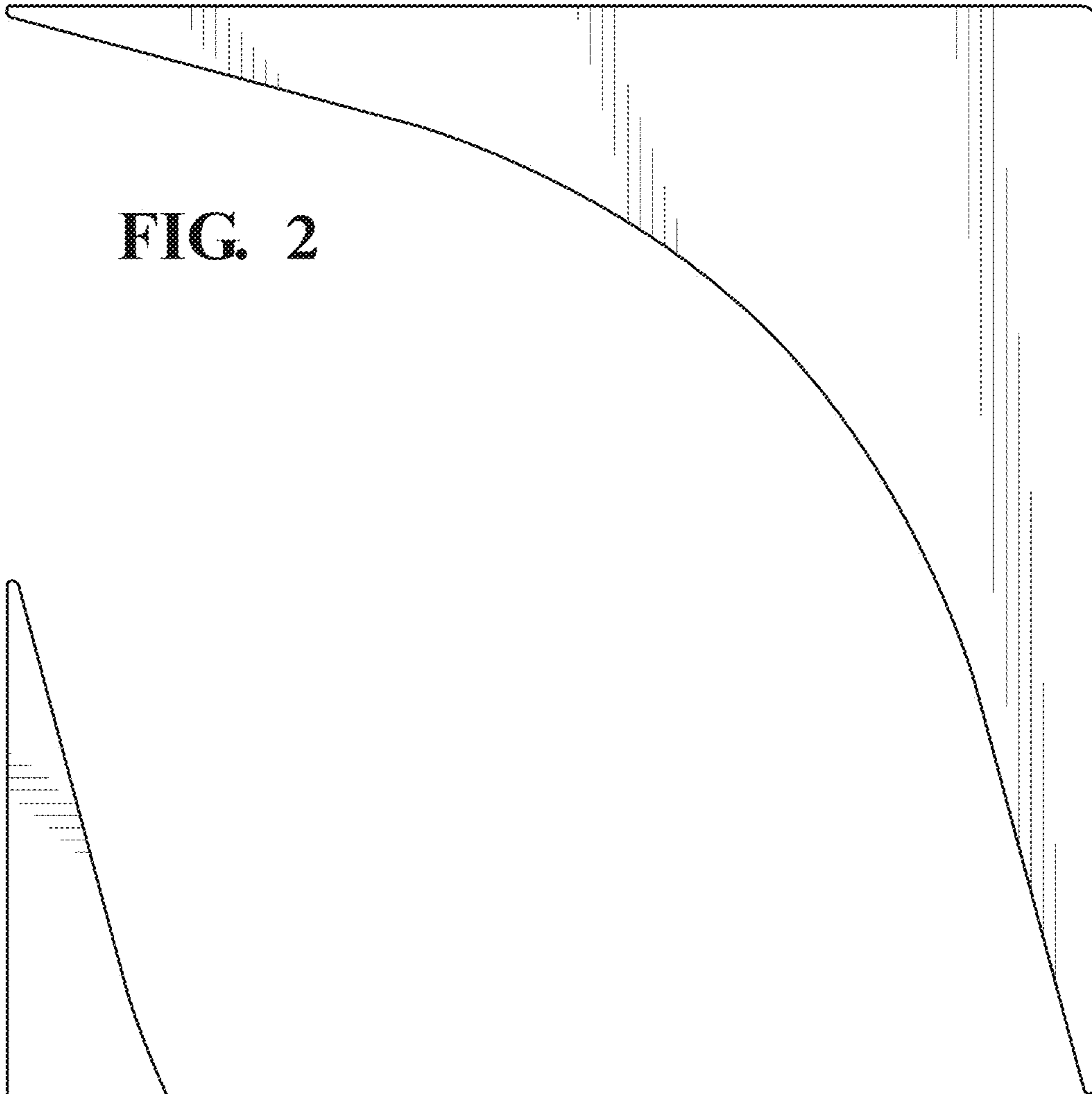




FIG. 4



FIG. 5

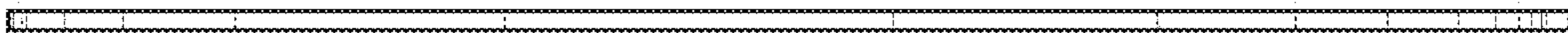


FIG. 6



FIG. 7