



US00D957163S

(12) **United States Design Patent** (10) **Patent No.:** **US D957,163 S**  
**Zhi** (45) **Date of Patent:** **\*\* Jul. 12, 2022**

(54) **OVER THE DOOR HOOK**  
(71) Applicant: **Shenzhen Haihangxing Technology Co., Ltd.**, Shenzhen (CN)  
(72) Inventor: **Xucan Zhi**, Shenzhen (CN)  
(\*\*) Term: **15 Years**  
(21) Appl. No.: **29/803,318**  
(22) Filed: **Aug. 12, 2021**  
(51) **LOC (13) Cl.** ..... **08-08**  
(52) **U.S. Cl.**  
USPC ..... **D6/566; D8/372**  
(58) **Field of Classification Search**  
USPC ..... D6/323, 327, 513, 514, 566, 569, 572;  
D8/367, 370, 371, 372  
CPC ..... A47G 25/0614  
See application file for complete search history.

D582,761 S \* 12/2008 Goodman ..... D8/372  
D584,939 S \* 1/2009 Snell ..... D8/367  
D612,228 S 3/2010 Goodman  
D616,232 S \* 5/2010 Guindi ..... D6/514  
D634,938 S \* 3/2011 Guindi ..... D6/514  
D654,737 S \* 2/2012 Guindi ..... D6/572  
D656,389 S 3/2012 Goodman  
D669,768 S 10/2012 Tawil  
D699,467 S \* 2/2014 Tsai ..... D6/514  
(Continued)

**OTHER PUBLICATIONS**

“Over Door Hanger Heavy-Duty Hook.” Found online May 16, 2022 at www.amazon.com. Product reviewed Jun. 18, 2020. Retrieved from URL: https://www.amazon.com/UDENIS-Heavy-Duty-Bathroom-Anti-Rust-Lightweight/dp/B07Y4WXS7 (Year: 2020).\*  
“Minggoo Over The Door 13-Hook Rack.” Found online May 16, 2022 at www.amazon.com Product reviewed Mar. 11, 2019. Retrieved from URL: https://www.amazon.com/dp/B07PZ3S285 (Year: 2019).\*  
(Continued)

(56) **References Cited**

**U.S. PATENT DOCUMENTS**

D342,889 S \* 1/1994 Adams ..... D8/367  
D397,565 S \* 9/1998 Klein ..... D6/513  
D411,701 S \* 6/1999 Klein ..... D8/372  
D421,713 S 3/2000 Snell  
D422,198 S 4/2000 Snell  
D432,316 S \* 10/2000 Duggan ..... D8/372  
D433,316 S \* 11/2000 Snell ..... D8/372  
6,152,313 A \* 11/2000 Klein ..... A47G 25/06  
211/85.3  
D461,706 S \* 8/2002 Goodman ..... D8/372  
D466,396 S \* 12/2002 Snell ..... D8/372  
D469,341 S 1/2003 Knapp  
D470,394 S \* 2/2003 Harwanko ..... D8/372  
D473,452 S 4/2003 Knapp  
D479,796 S \* 9/2003 Snell ..... D8/372  
D479,981 S 9/2003 Snell  
D480,624 S \* 10/2003 Dretzka ..... D8/367  
D480,947 S 10/2003 Snell  
D491,445 S \* 6/2004 Clucas ..... D8/372  
D507,961 S 8/2005 Goodman  
D561,013 S \* 2/2008 Goodman ..... D8/372

*Primary Examiner* — Mary Ann Calabrese  
*Assistant Examiner* — Katelin G Kloberg  
(74) *Attorney, Agent, or Firm* — Rumit Ranjit Kanakia

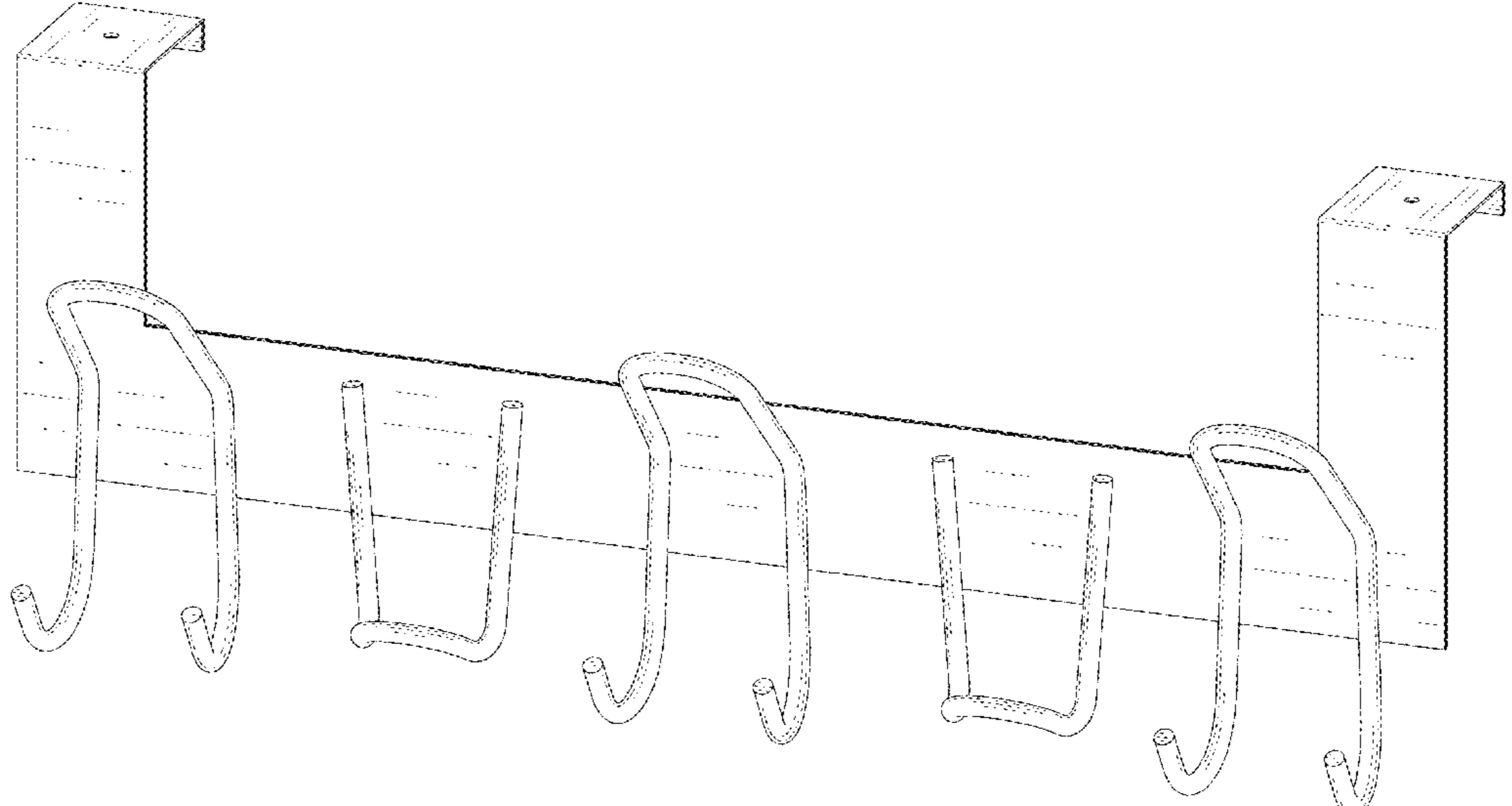
(57) **CLAIM**

The ornamental design for a over the door hook, as shown and described.

**DESCRIPTION**

FIG. 1 is a front elevational view of an over the door hook showing my new design;  
FIG. 2 is a rear elevational view thereof; and  
FIG. 3 is a left side view thereof;  
FIG. 4 is a right side view thereof;  
FIG. 5 is a top plan view thereof;  
FIG. 6 is a bottom plan view thereof;  
FIG. 7 is a front perspective view thereof; and,  
FIG. 8 is a rear perspective view thereof.

**1 Claim, 8 Drawing Sheets**



(56)

References Cited

U.S. PATENT DOCUMENTS

D706,612 S \* 6/2014 Goodman ..... D8/372  
 D707,541 S \* 6/2014 Goodman ..... D8/372  
 D707,542 S \* 6/2014 Goodman ..... D8/372  
 D708,048 S \* 7/2014 Goodman ..... D8/372  
 D724,851 S \* 3/2015 Klein ..... D8/372  
 D724,860 S \* 3/2015 Tsai ..... D6/514  
 D743,779 S \* 11/2015 Cohen ..... D8/371  
 D749,870 S \* 2/2016 Eilmus ..... D6/514  
 D751,373 S \* 3/2016 Goodman ..... D8/372  
 D787,922 S \* 5/2017 Ghiorghie ..... D8/372  
 D880,187 S \* 4/2020 Elliott ..... D6/514  
 D882,984 S \* 5/2020 Najimi ..... D6/514  
 2010/0224747 A1 \* 9/2010 Adams ..... A47G 25/0614  
 2019/0104874 A1 \* 4/2019 Baines ..... A47G 25/0614

OTHER PUBLICATIONS

“DecoBros 11 Hook Wall Mount Coat Rail Rack.” Found online May 16, 2022 at [www.amazon.com](http://www.amazon.com). Product reviewed Jan. 19, 2016. Retrieved from URL: <https://www.amazon.com/dp/B00YFALIO8> (Year: 2016).\*

“WEBI Over The Door Hook Door Hanger.” Found online May 16, 2022 at [www.amazon.co.uk](http://www.amazon.co.uk). Product first available Jun. 14, 2019. Retrieved from URL: <https://www.amazon.co.uk/WEBI-Over-Door-Hook-Hanger/dp/B07T2G6LV3> (Year: 2019).\*

“Over The Door Hooks.” Found online May 16, 2022 at [www.next.co.uk](http://www.next.co.uk). Product reviewed Sep. 12, 2021. Retrieved from URL: <https://www.next.co.uk/style/st277301/549081> (Year: 2021).\*

“Over The Door Hook Organizer Rack.” Found online May 16, 2022 at [www.amazon.com](http://www.amazon.com). Product first available Sep. 30, 2017. Retrieved from URL: <https://www.amazon.com/Organizer-Anjuer-Metal-Hanger-Hooks/dp/B075RZ8DRS> (Year: 2017).\*

\* cited by examiner

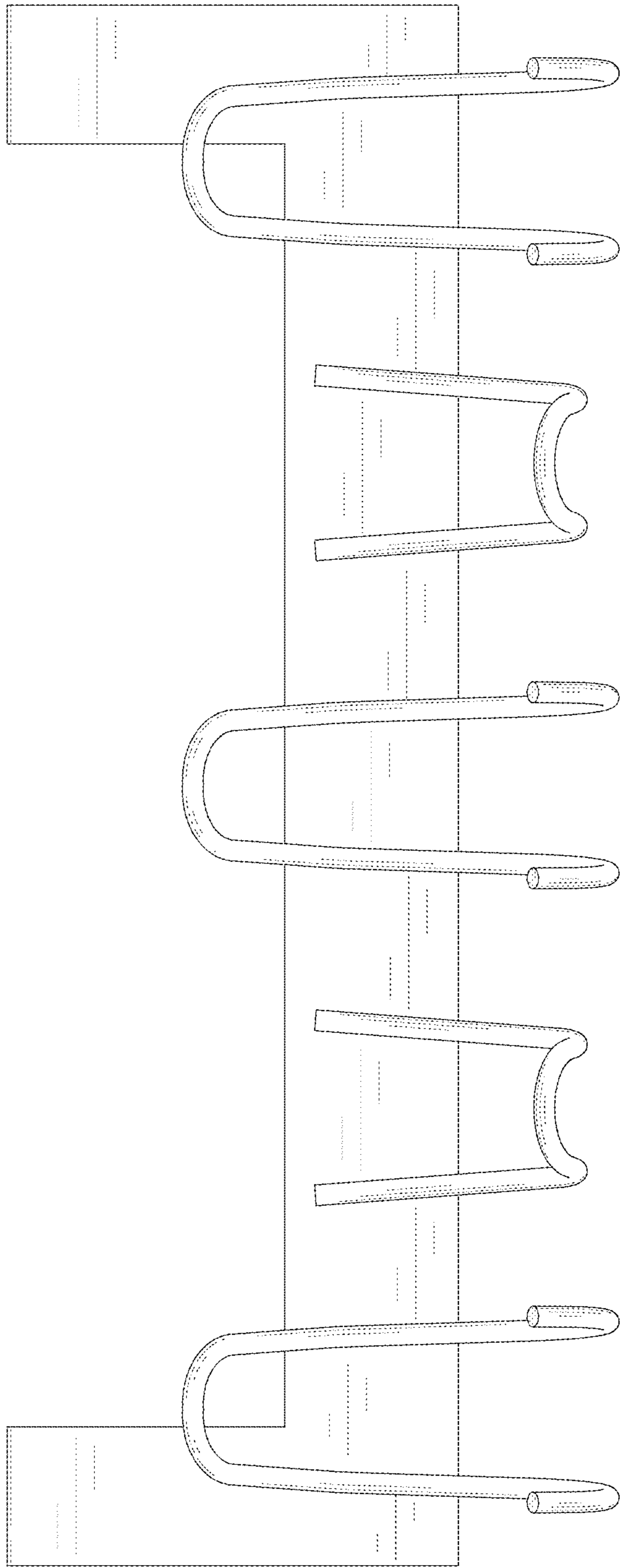


FIG. 1

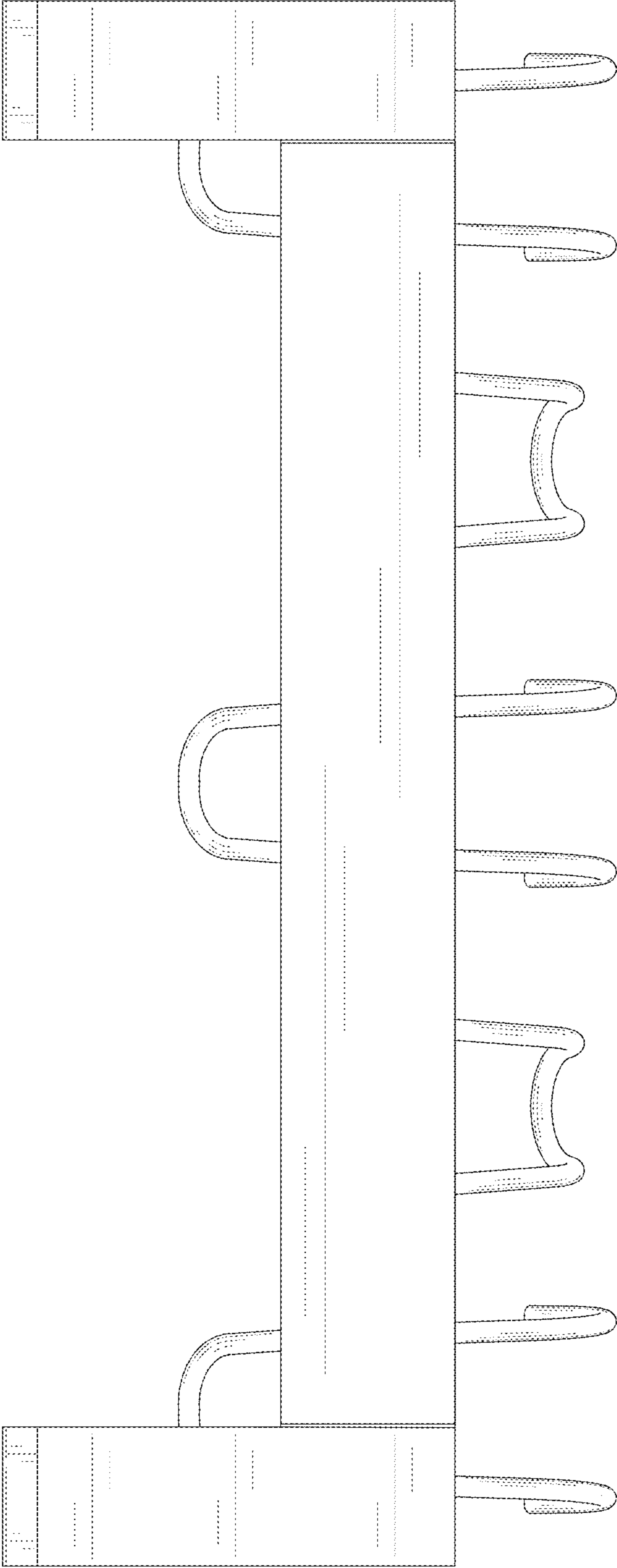


FIG. 2

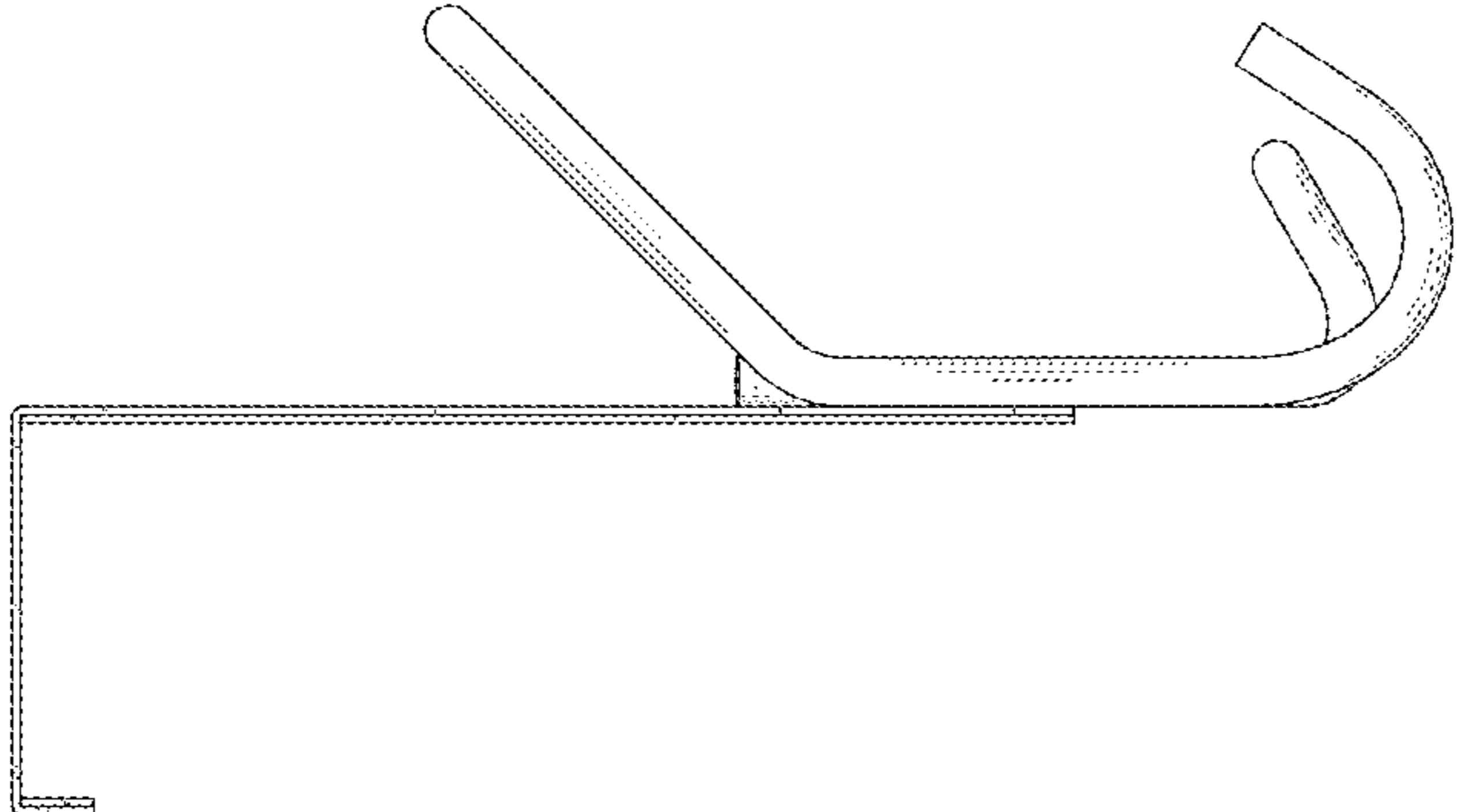


FIG. 3

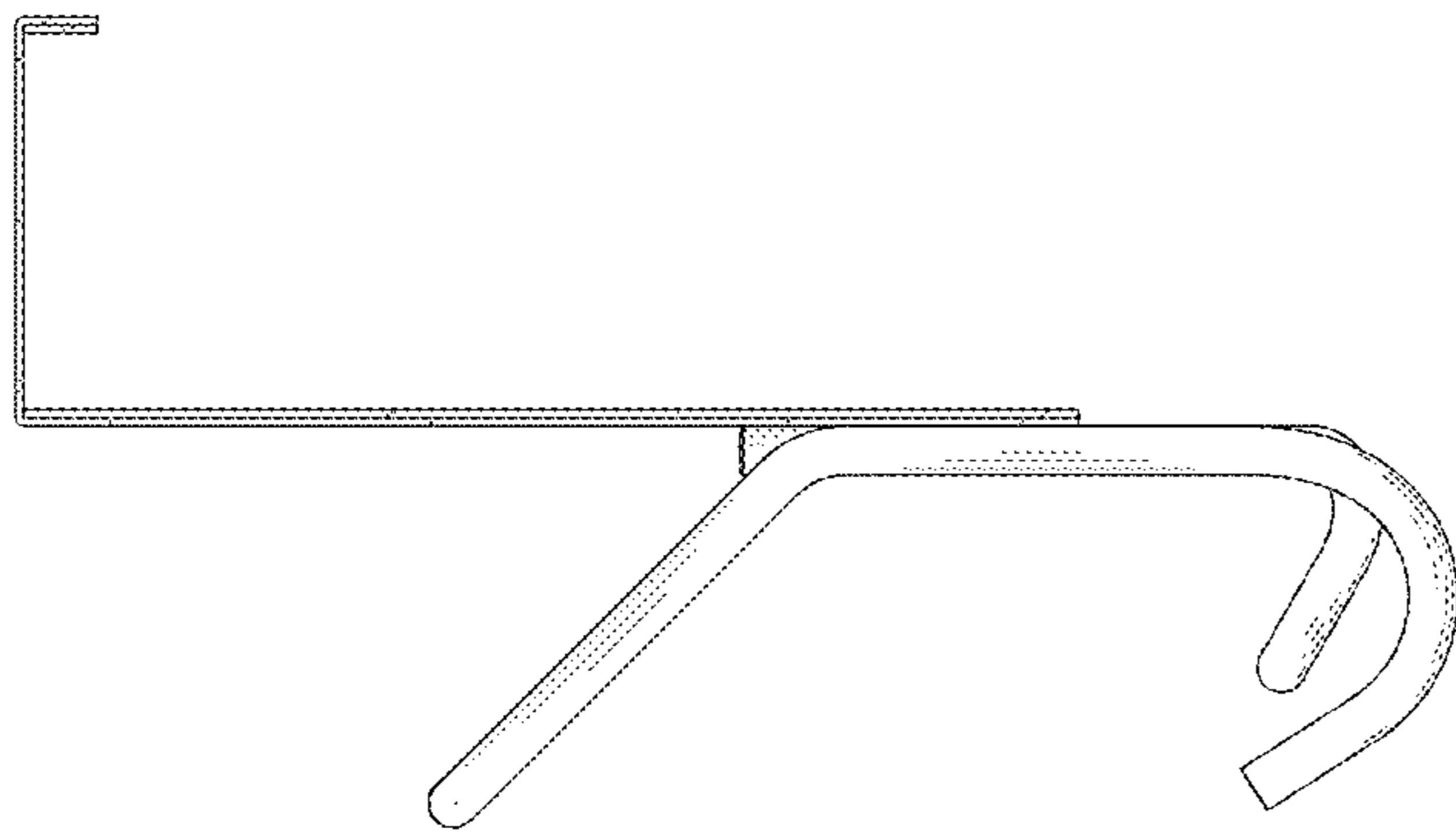


FIG. 4

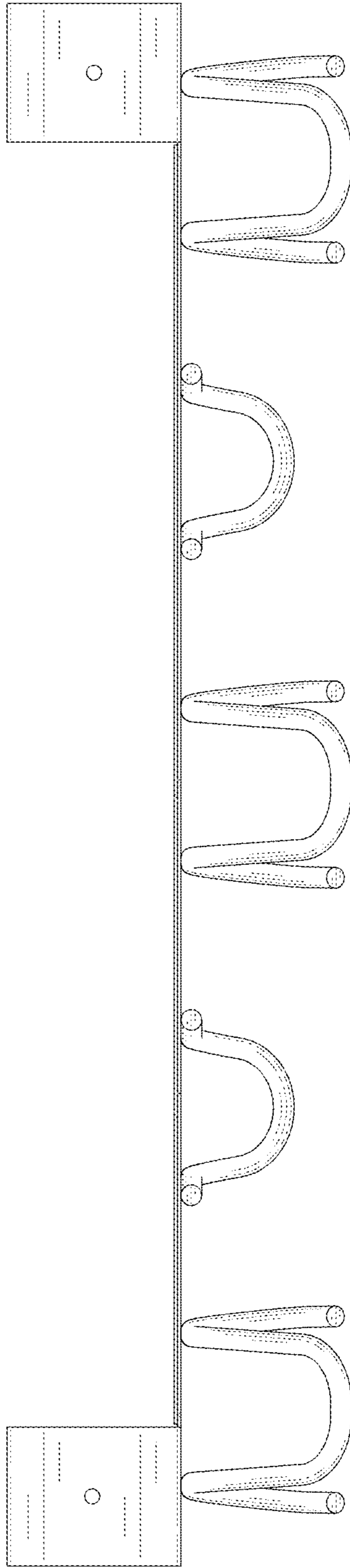


FIG. 5

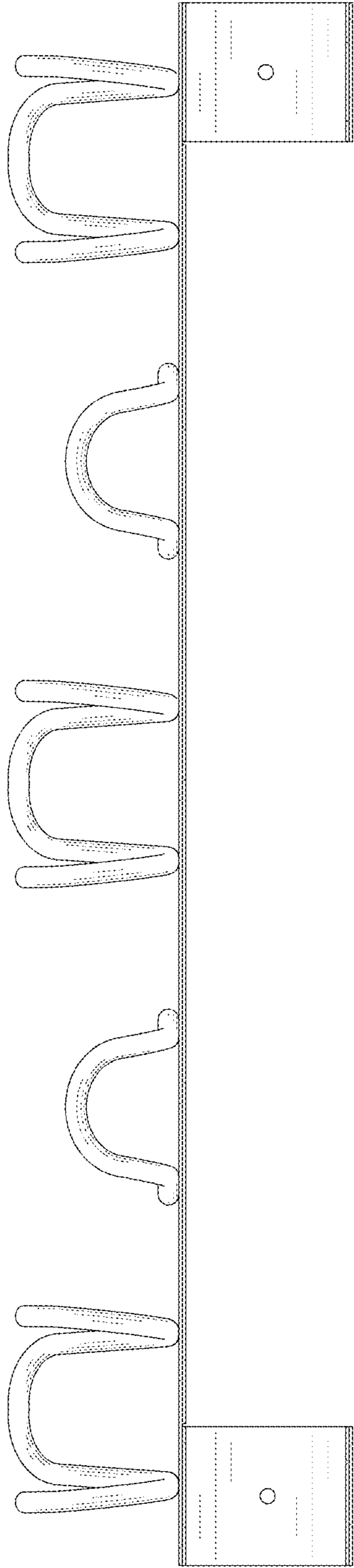


FIG. 6



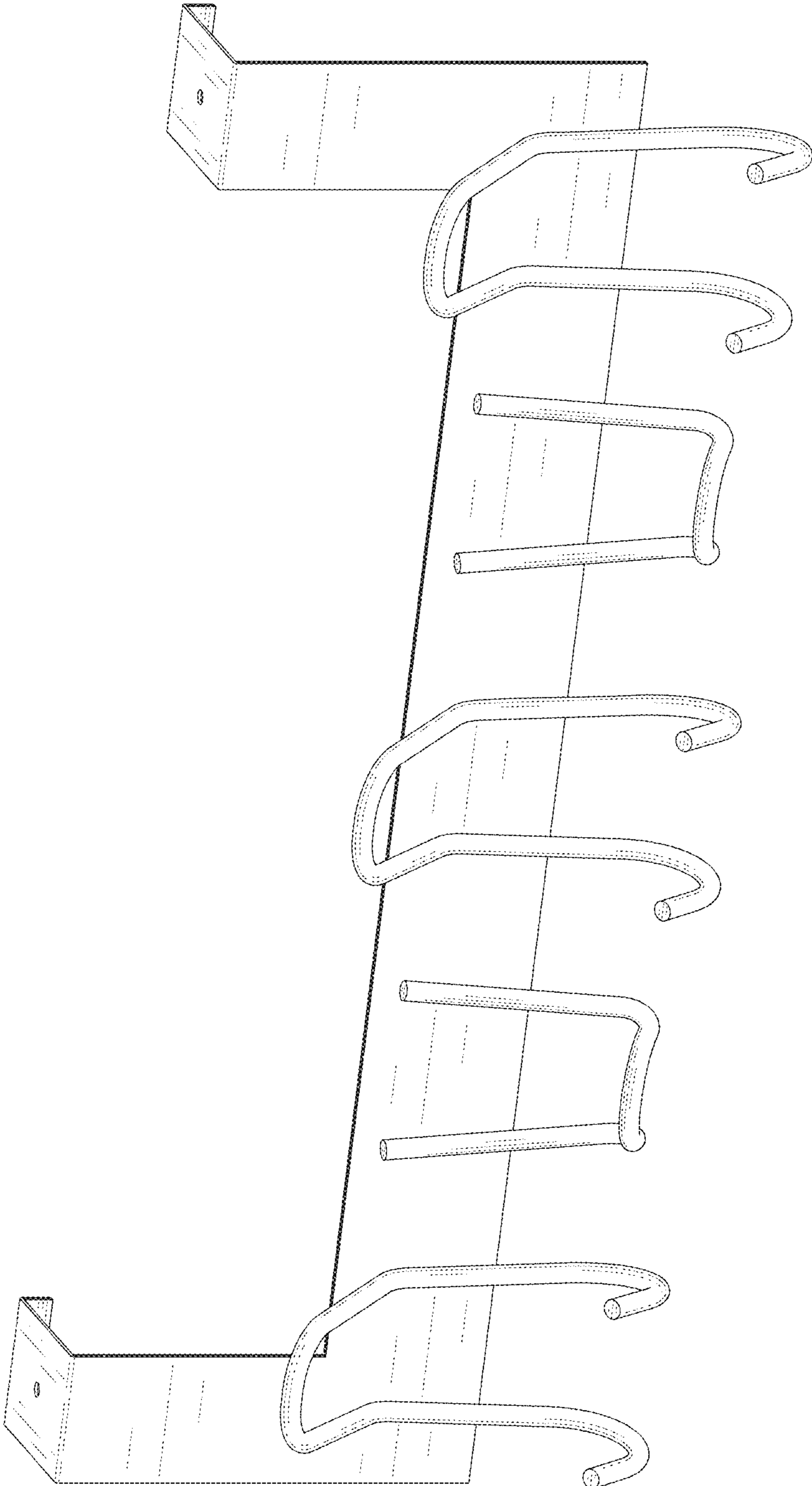


FIG. 7

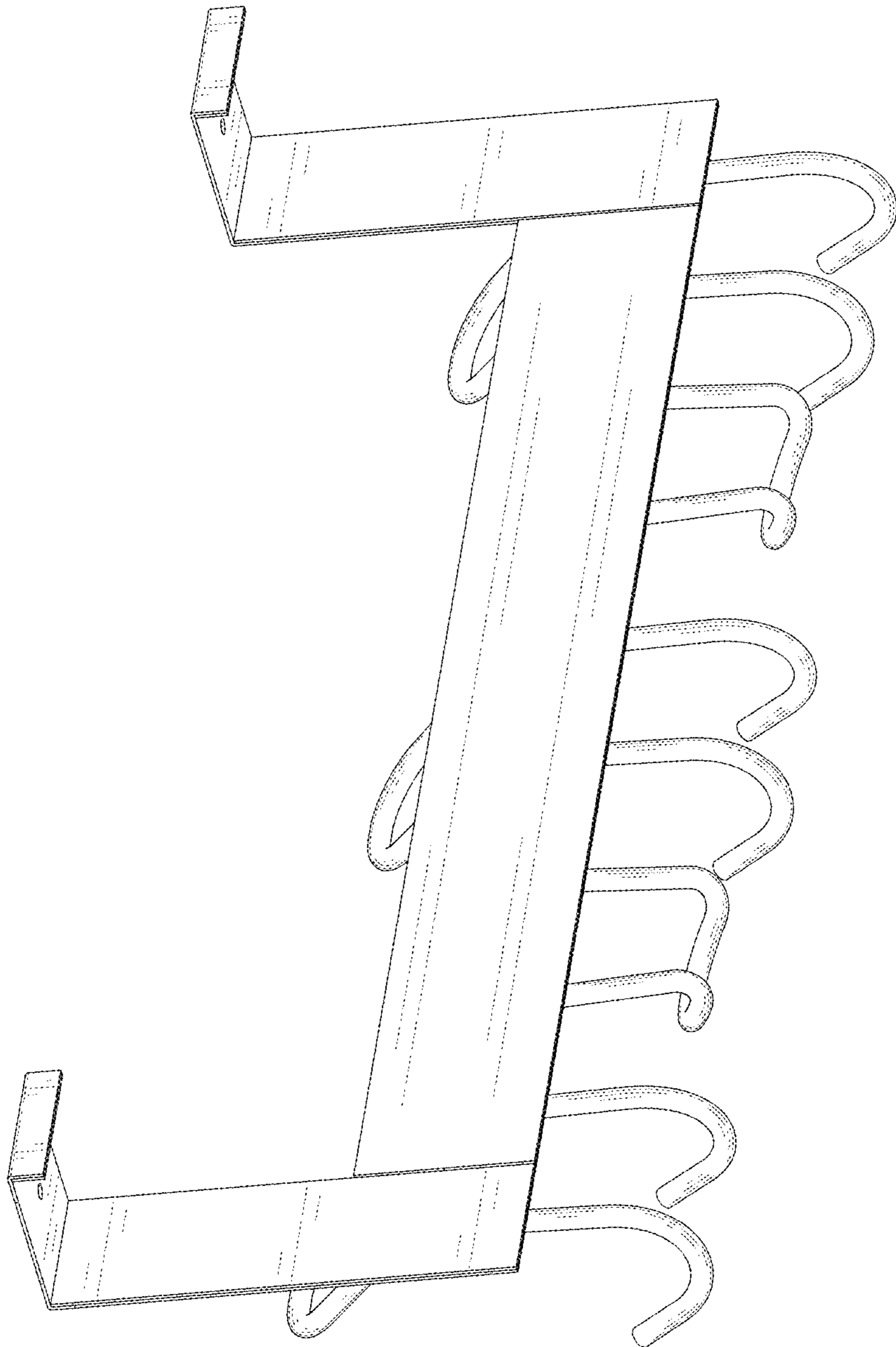


FIG. 8