



US00D957162S

(12) **United States Design Patent** (10) **Patent No.:** **US D957,162 S**
Appelbaum et al. (45) **Date of Patent:** **** Jul. 12, 2022**

(54) **SUCTION STORAGE BIN**

(71) Applicants: **Alaina Appelbaum**, Brooklyn, NY (US); **Min Kim**, Brooklyn, NY (US); **Mason Umholtz**, Sunnyvale, CA (US)

(72) Inventors: **Alaina Appelbaum**, Brooklyn, NY (US); **Min Kim**, Brooklyn, NY (US); **Mason Umholtz**, Sunnyvale, CA (US)

(73) Assignee: **Helen of Troy Limited**, St. Michael (BB)

(**) Term: **15 Years**

(21) Appl. No.: **29/686,720**

(22) Filed: **Apr. 6, 2019**

(51) **LOC (13) Cl.** **06-04**

(52) **U.S. Cl.**
USPC **D6/525**

(58) **Field of Classification Search**
 USPC D6/525, 524, 536, 540, 553, 566;
 D3/304, 314; 206/77.1, 207, 349, 557,
 206/581, 823; 211/13.1, 74, 71.01, 86.01,
 211/75, 126.1, 133.5, 181.1, 134;
 D7/637; 248/206.2–206.3
 CPC A47K 17/00; A47K 3/281; A47K 3/001;
 B23P 17/04; A47B 57/265; A47B 57/565;
 A47B 57/26

See application file for complete search history.

(56) **References Cited**

U.S. PATENT DOCUMENTS

D483,587 S	*	12/2003	Snell	D6/525
D566,919 S	*	4/2008	Snell	D32/55
D626,363 S	*	11/2010	Yang	D6/525
D679,528 S	*	4/2013	Gilboe	D6/525
D699,972 S	*	2/2014	Lee	D6/553
D785,368 S	*	5/2017	Goodman	D6/566
D867,015 S	*	11/2019	Ghiorghie	D6/525

* cited by examiner

Primary Examiner — Lilyana Bekic

Assistant Examiner — Mark Booker

(74) *Attorney, Agent, or Firm* — Rankin, Hill & Clark LLP

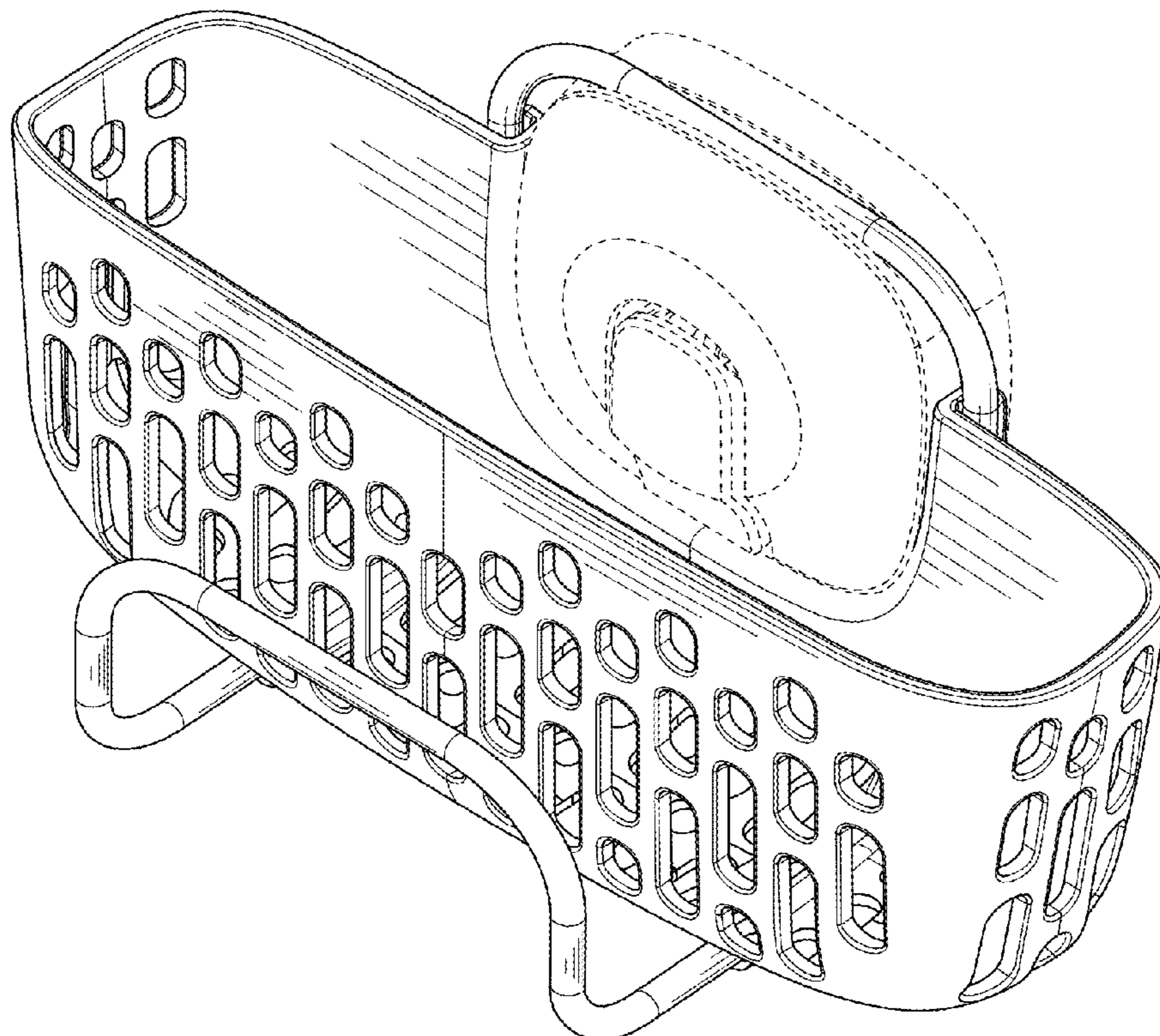
(57) **CLAIM**

The ornamental design for a suction storage bin, as shown, and described.

DESCRIPTION

FIG. 1 is a perspective view of a suction storage bin;
 FIG. 2 is a front view thereof;
 FIG. 3 is a rear view thereof;
 FIG. 4 is a right elevation view thereof, the left elevation view being a mirror image thereof;
 FIG. 5 is a top plan view thereof; and,
 FIG. 6 is a bottom plan view thereof.
 The broken lines shown in the figures represent portions of the suction storage bin that form no part of the claimed design.

1 Claim, 6 Drawing Sheets



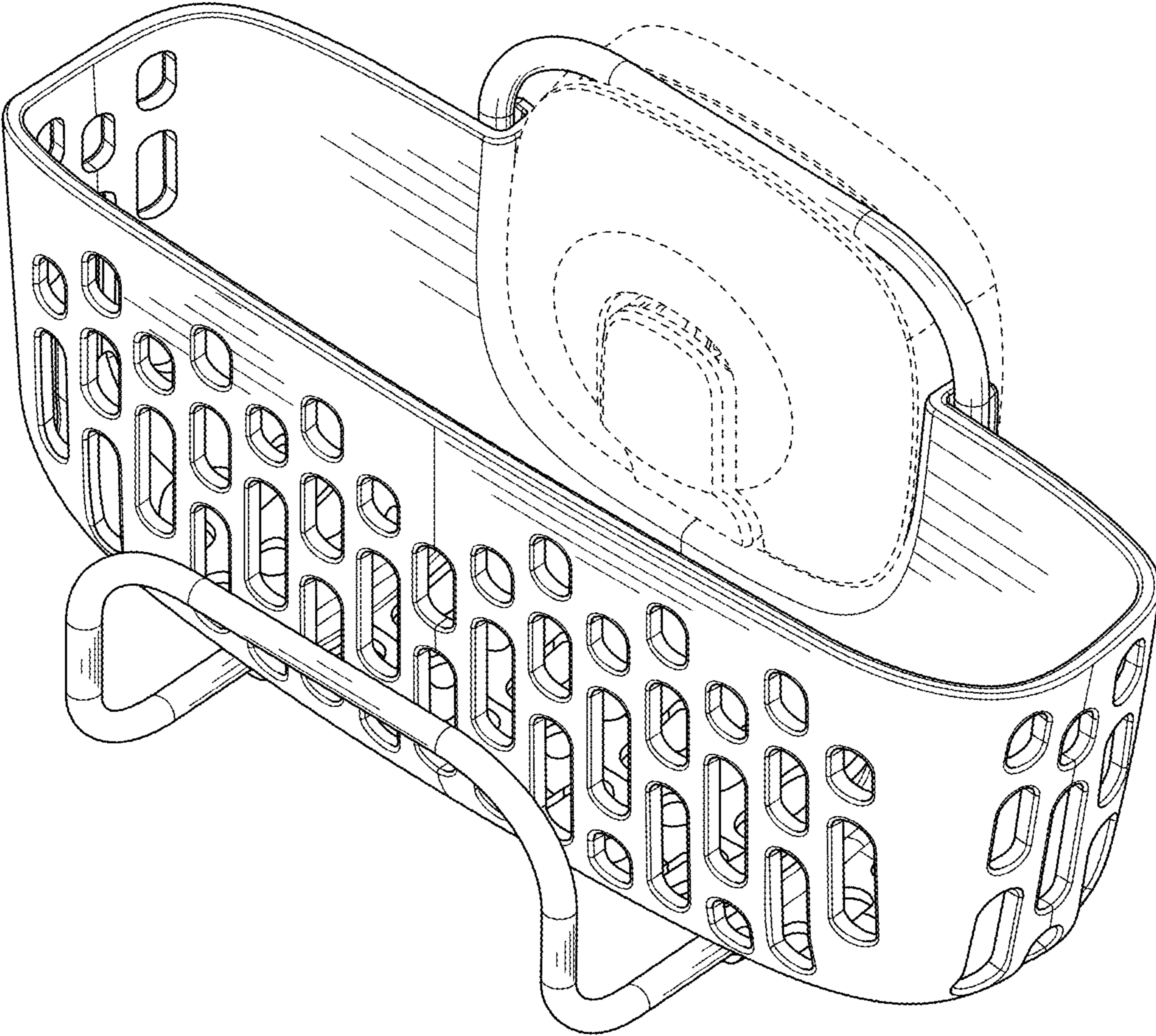


FIG. 1

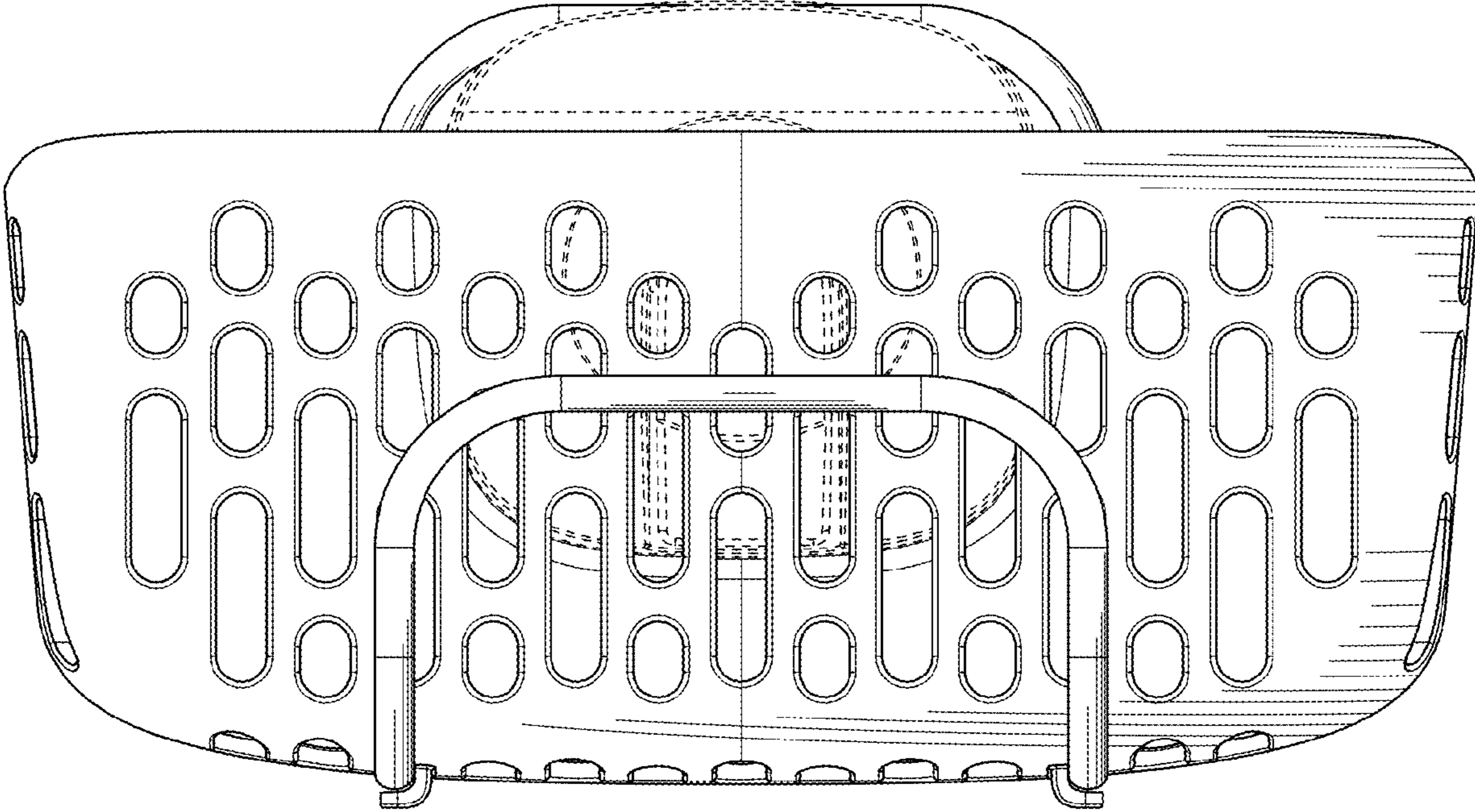


FIG. 2

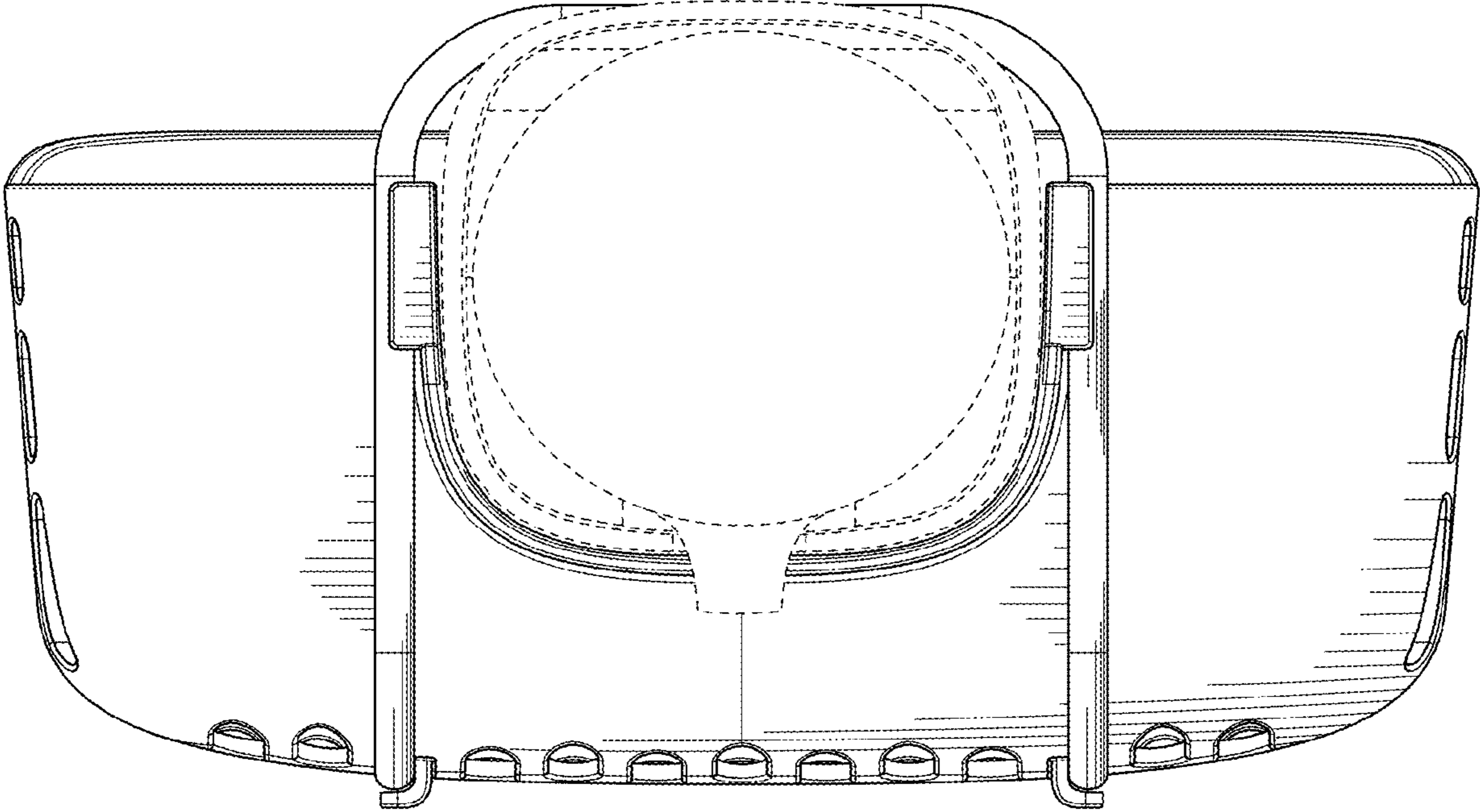


FIG. 3

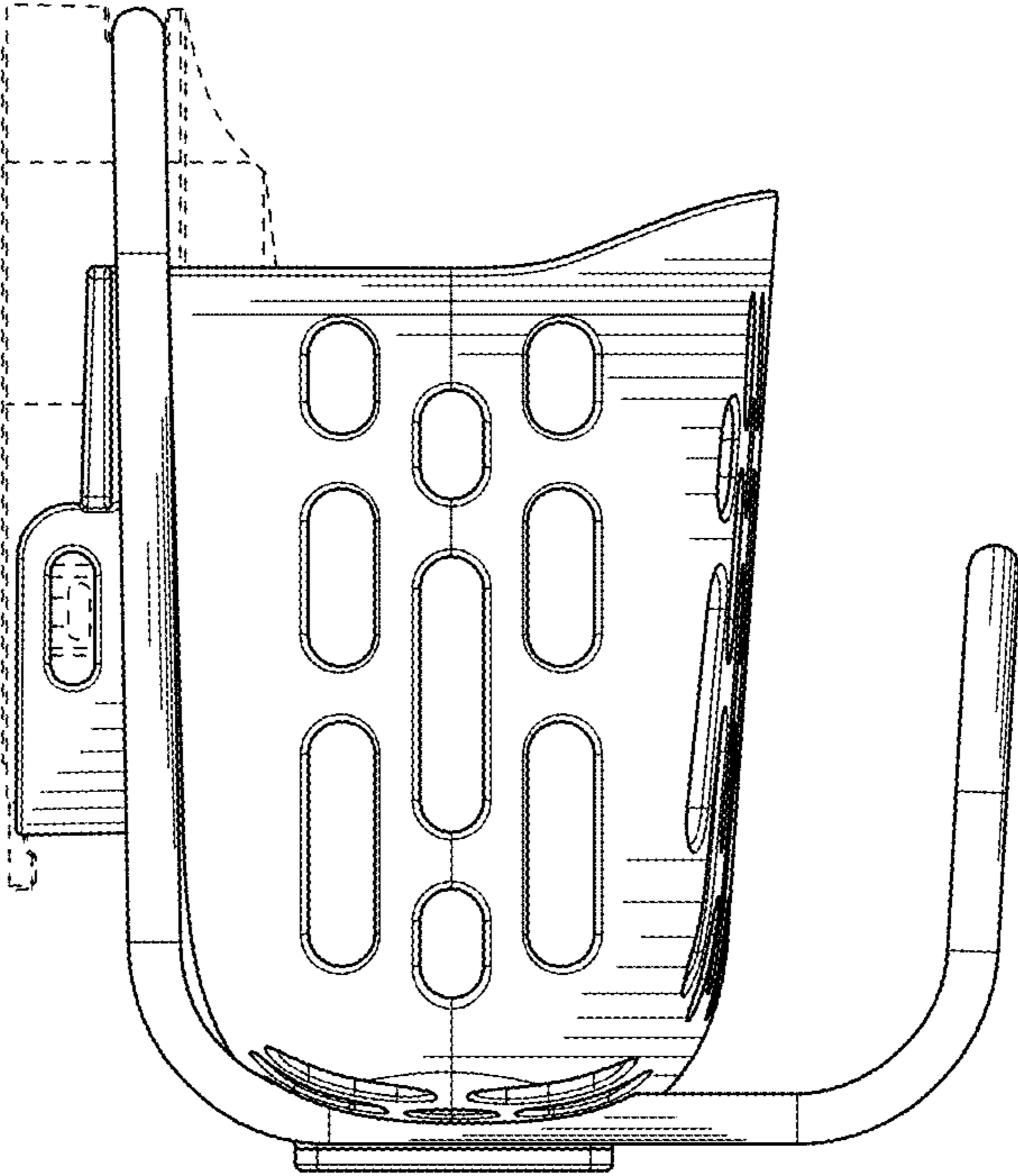


FIG. 4

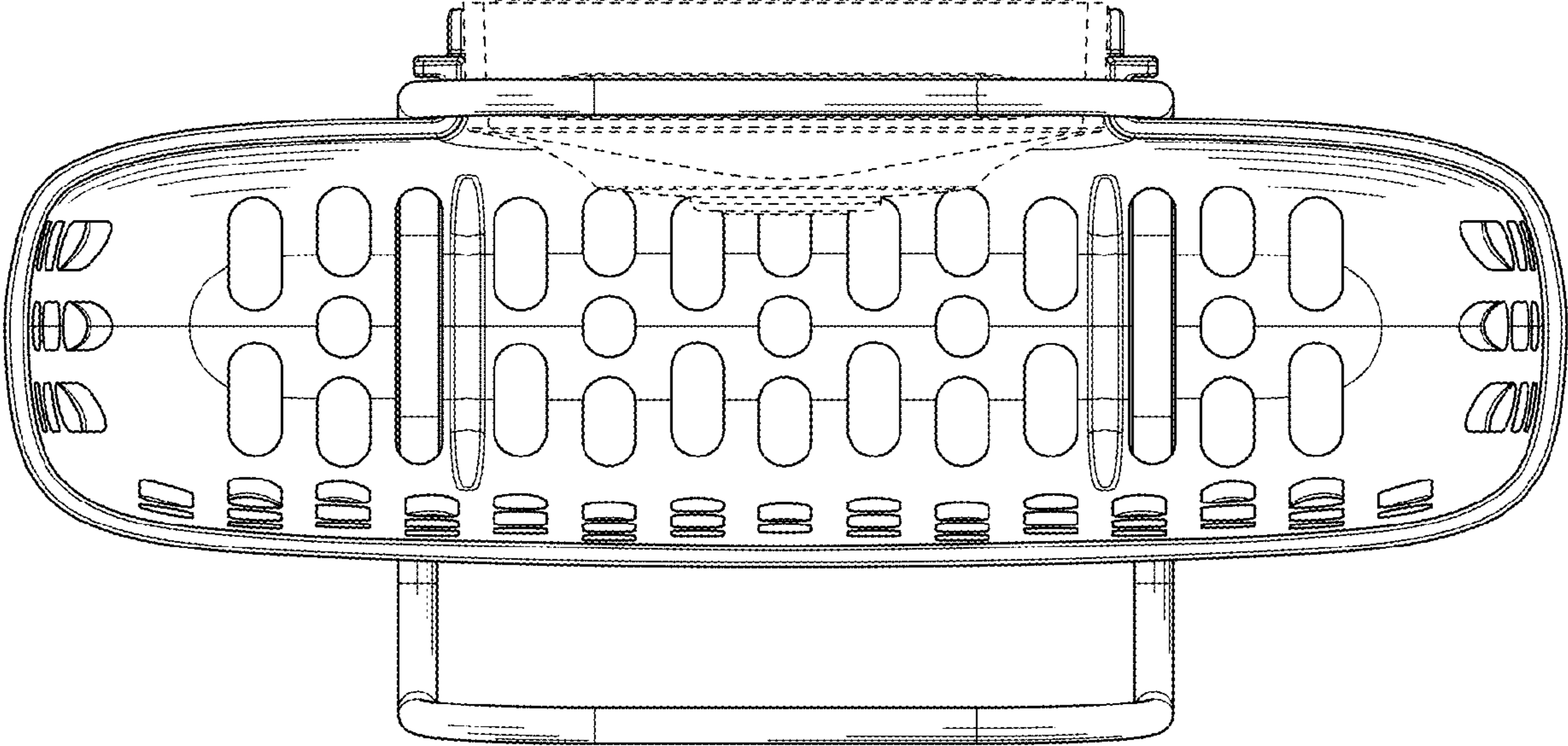


FIG. 5

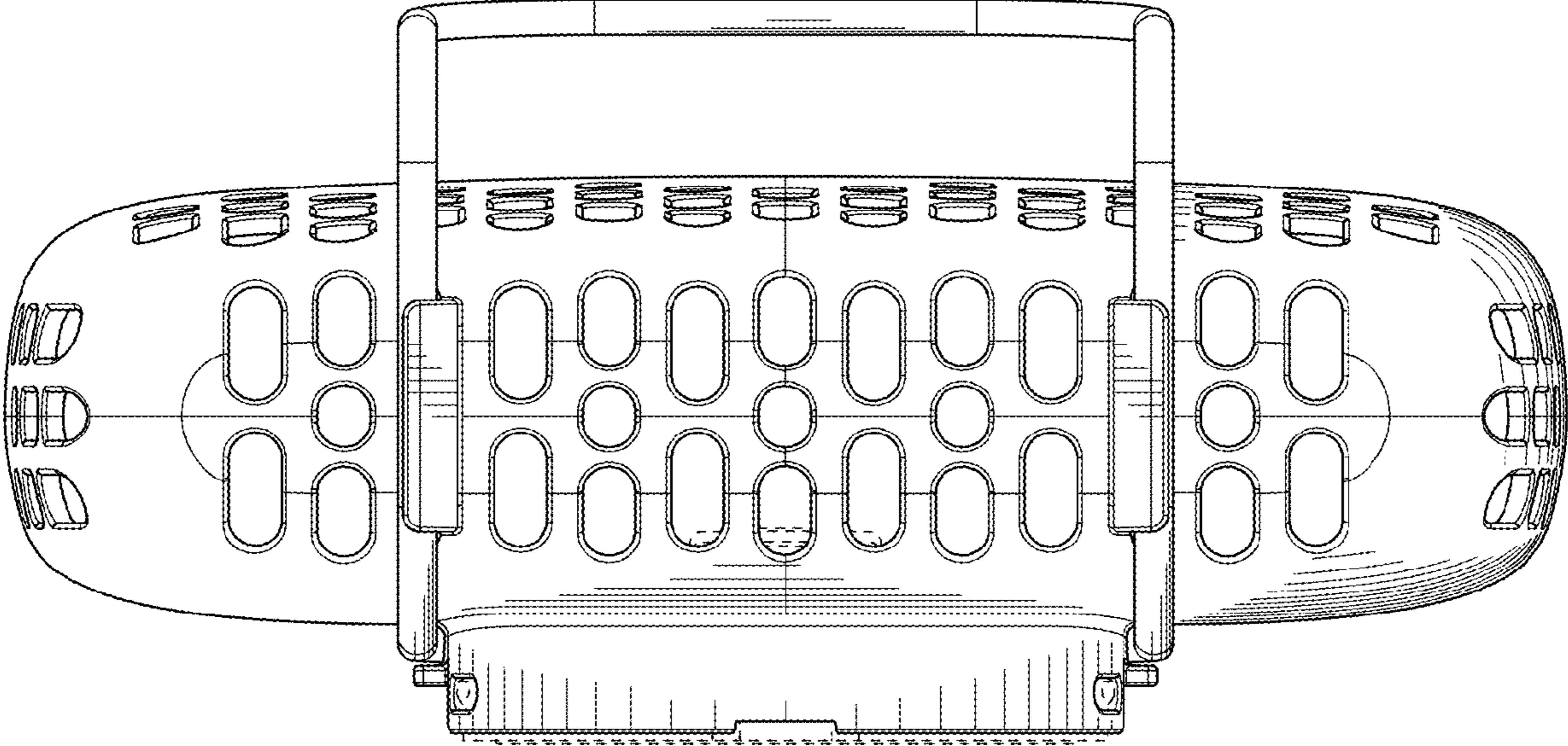


FIG. 6