



US00D957161S

(12) **United States Design Patent** (10) **Patent No.:** **US D957,161 S**
Satterfield et al. (45) **Date of Patent:** **** Jul. 12, 2022**

(54) **SHEET MATERIAL, DISPENSER WITH CUTTER**

4,085,878 A 4/1978 Nausedas
D255,779 S * 7/1980 Clatterbuck D9/734
5,103,710 A 4/1992 Ross
5,768,968 A * 6/1998 Park B26D 1/045
83/418
6,009,785 A 1/2000 Ott
6,098,515 A 8/2000 Daley, Jr.
7,000,520 B2 * 2/2006 Nichols B26D 1/045
225/47
7,166,179 B2 1/2007 Muesch et al.
D637,027 S * 5/2011 Withers D6/518
8,065,944 B1 * 11/2011 Speas, Jr. B26D 1/02
83/649

(71) Applicant: **Milliken & Company**, Spartanburg, SC (US)

(72) Inventors: **Greg Satterfield**, Greer, SC (US);
Tommy Lanford, Inman, SC (US);
James Bryant, Cowpens, SC (US);
Rajib Mondal, Greer, SC (US); **Geoff Haas**, Spartanburg, SC (US); **Cristina Acevedo**, Greer, SC (US)

(73) Assignee: **Milliken & Company**, Spartanburg, SC (US)

(**) Term: **15 Years**

(21) Appl. No.: **29/692,352**

(22) Filed: **May 24, 2019**

(51) **LOC (13) Cl.** **06-06**

(52) **U.S. Cl.**
USPC **D6/518**

(58) **Field of Classification Search**
USPC D9/432, 420 OR, 430, 433, 414, 416,
D9/423, 424, 431, 711, 737; D18/34.3,
D18/34.8, 34.9; D6/518, 512; D19/108;
D24/227; D28/83; D3/290, 307
CPC Y10T 83/8822; Y10T 83/7507; Y10T
83/896; Y10T 83/7763; Y10T 83/8769;
Y10T 83/0605; B65H 35/0086; B65H
35/002; B65H 35/06; B65H 2301/51512;
B65H 2301/5154; B65H 2701/1752;
B65H 2701/1944; B26D 1/045; B26D
1/065; B26D 1/025; B26D 7/015; B65D
85/672; B65D 5/4204

See application file for complete search history.

(56) **References Cited**

U.S. PATENT DOCUMENTS

3,190,520 A 6/1965 Wyant
3,788,175 A * 1/1974 Davis B65H 35/0086
83/83

(Continued)

FOREIGN PATENT DOCUMENTS

CN 2772480 Y 4/2006
CN 201356721 Y 12/2009

(Continued)

Primary Examiner — Nathaniel D. Buckner

(74) *Attorney, Agent, or Firm* — Timothy J. Monahan;
Monahan & Company, LLC

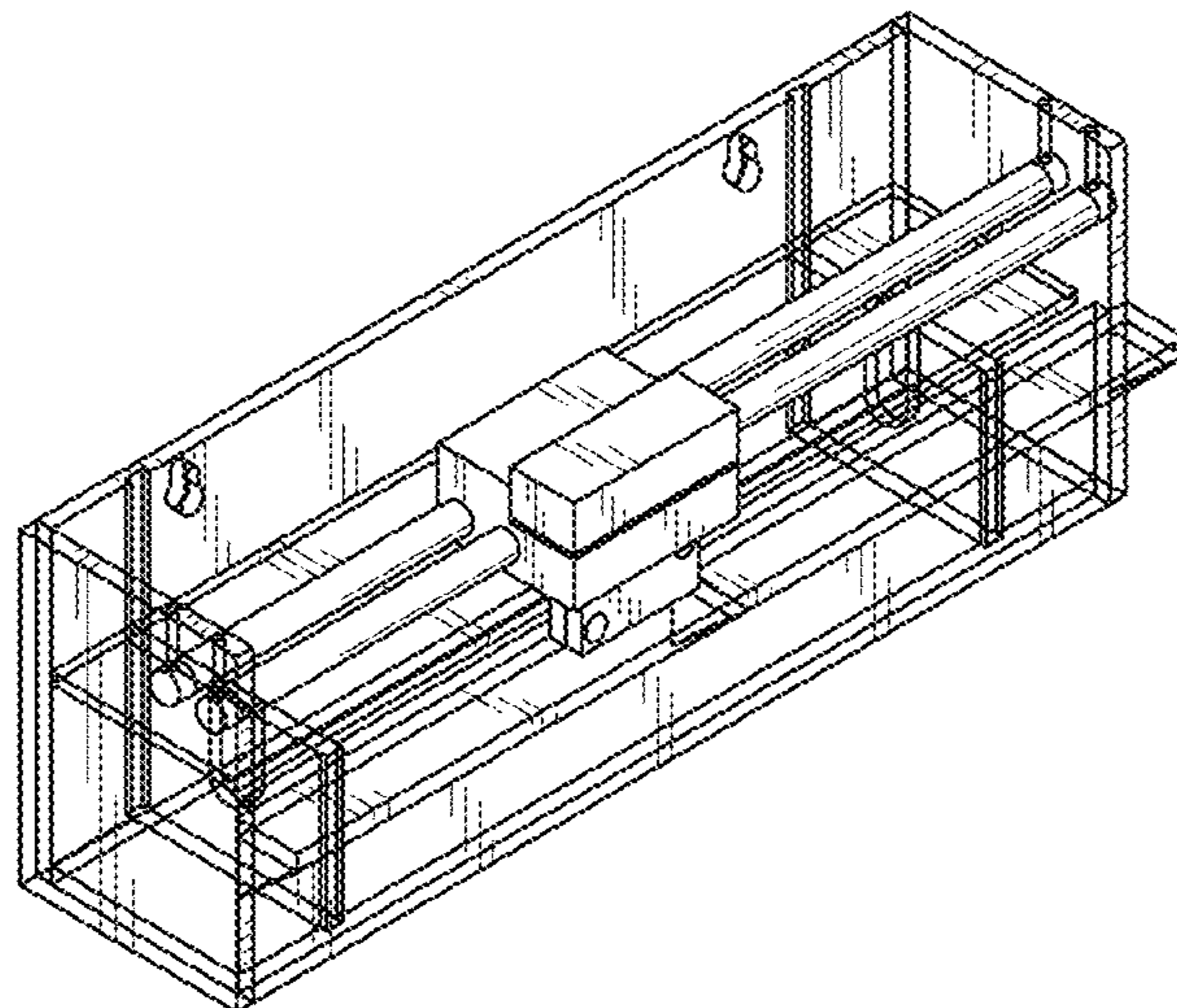
(57) **CLAIM**

The ornamental design for a sheet material dispenser with cutter, as shown and described.

DESCRIPTION

FIG. 1 is a top left perspective view of a sheet material dispenser with cutter showing our new design; FIG. 2 is a front elevation view thereof; FIG. 3 is a left side elevation view thereof; FIG. 4 is a right side elevation view thereof; FIG. 5 is a top plan view thereof; FIG. 6 is a bottom plan view thereof; and, FIG. 7 is a rear elevation view thereof.

1 Claim, 6 Drawing Sheets



(56)

References Cited

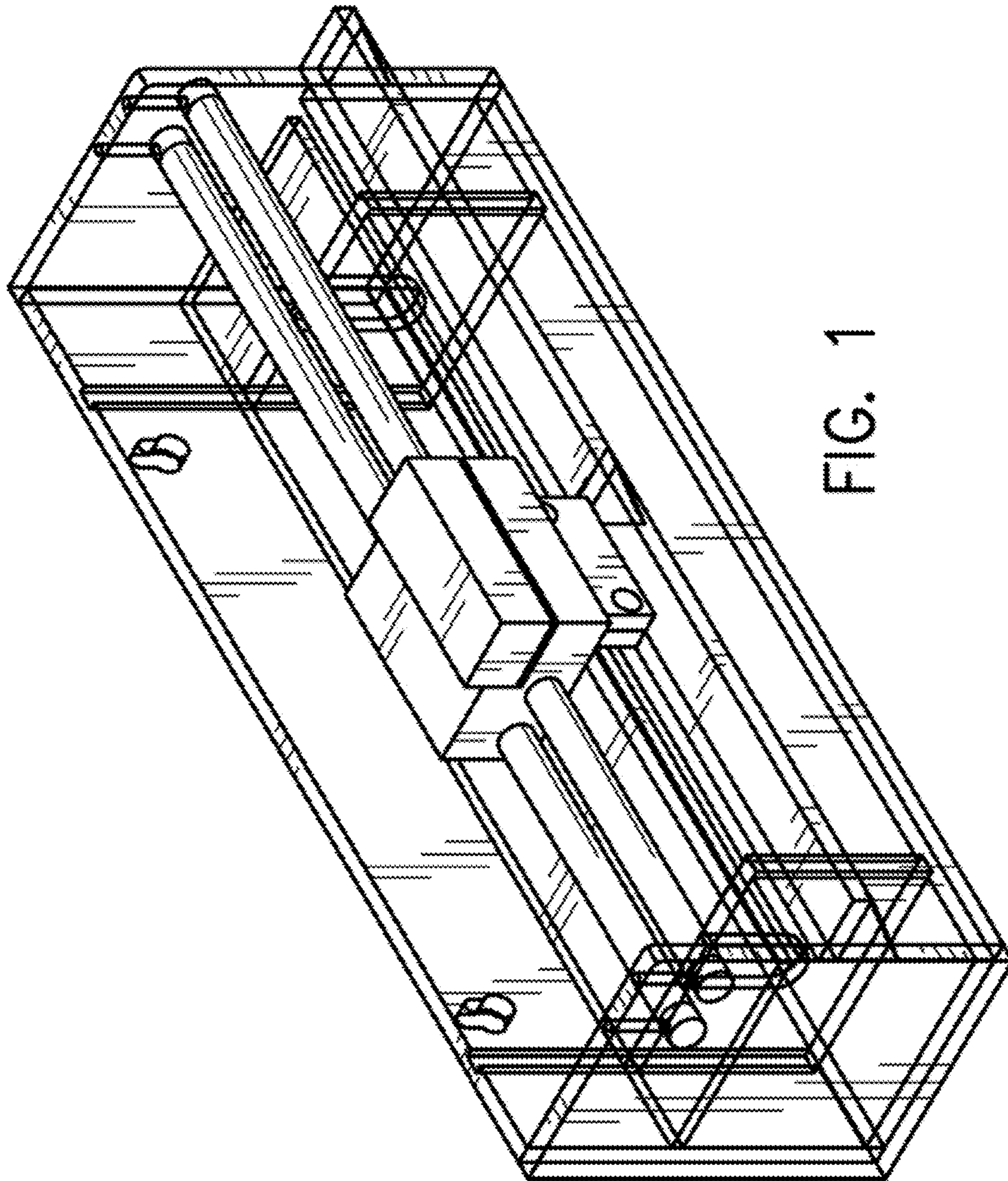
U.S. PATENT DOCUMENTS

8,479,626 B1 * 7/2013 Winkler B26D 7/00
83/56
D727,170 S * 4/2015 Lokey D9/734
D735,488 S * 8/2015 Page D6/518
D815,522 S * 4/2018 Vegliante D9/432
D861,477 S * 10/2019 Smith D9/420
2003/0209122 A1 11/2003 Nguyen
2004/0237746 A1 12/2004 Schultz et al.
2005/0005755 A1 1/2005 Turvey et al.
2005/0035133 A1 2/2005 Gerulski et al.
2006/0202079 A1 * 9/2006 Pavlik B65H 35/0086
242/562
2006/0260452 A1 11/2006 Yu et al.
2008/0026023 A1 1/2008 Tauer et al.
2009/0293695 A1 12/2009 Sacchetta
2010/0087946 A1 4/2010 Postel et al.
2010/0320250 A1 * 12/2010 Hideoka B26F 3/02
225/91
2015/0096671 A1 4/2015 Zhou

FOREIGN PATENT DOCUMENTS

CN 206218933 U 6/2017
CN 108356871 A 8/2018
CN 108433885 A 8/2018

* cited by examiner



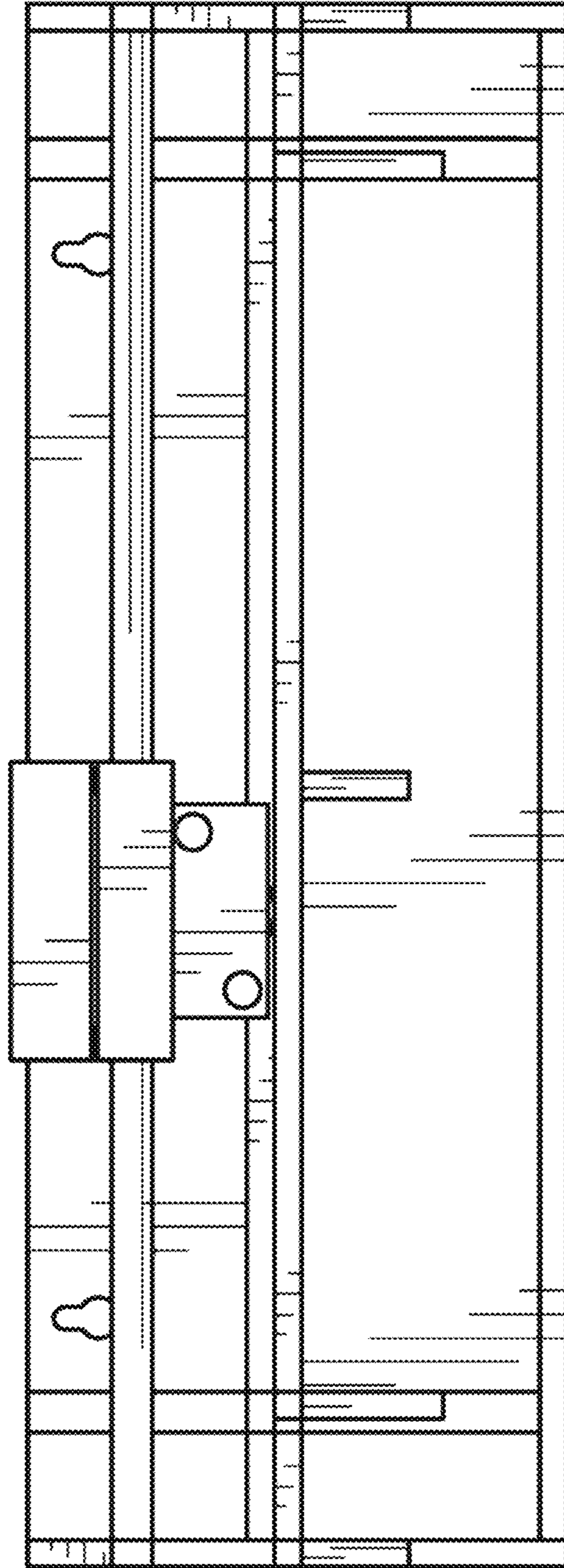


FIG. 2

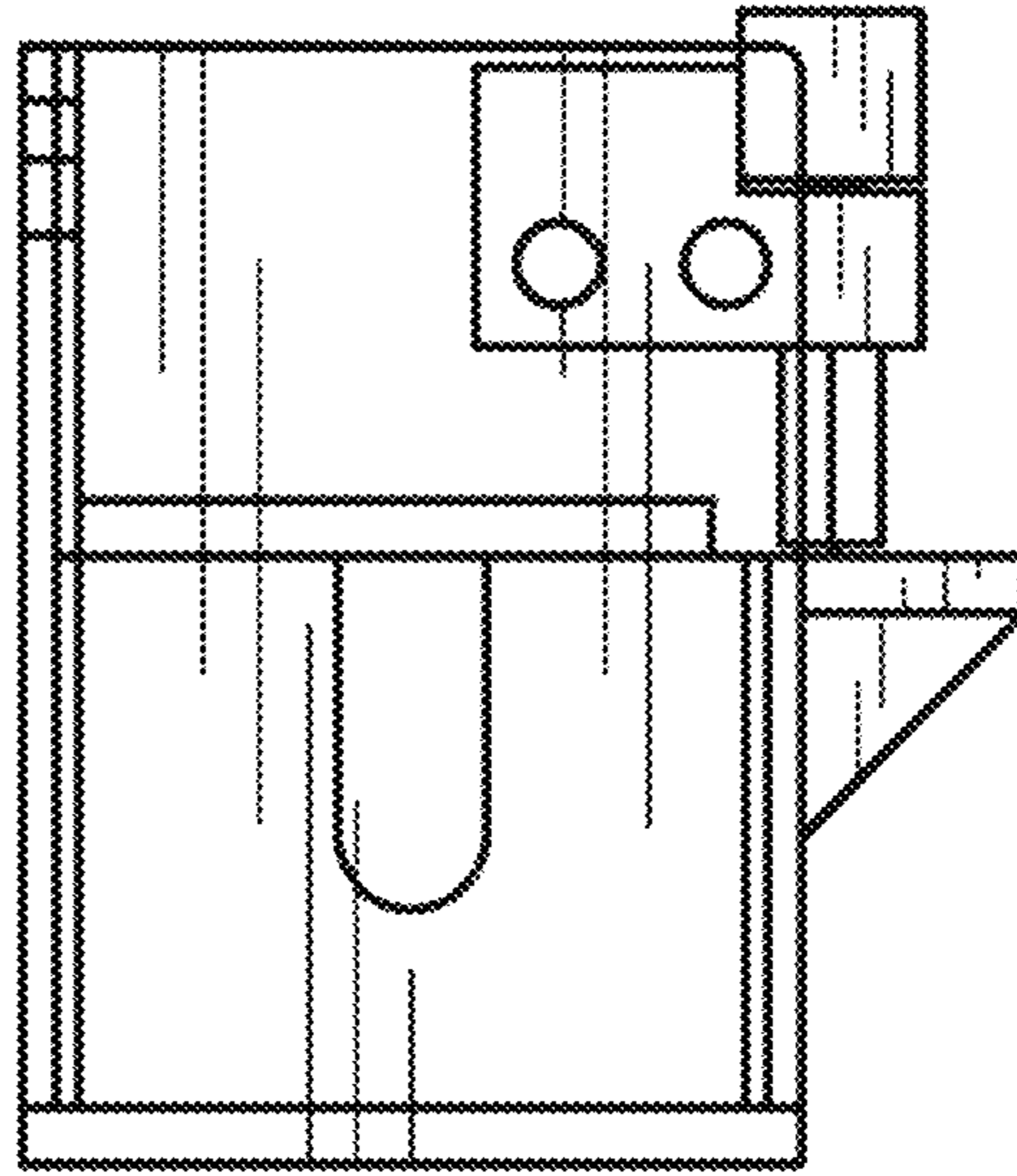


FIG. 3

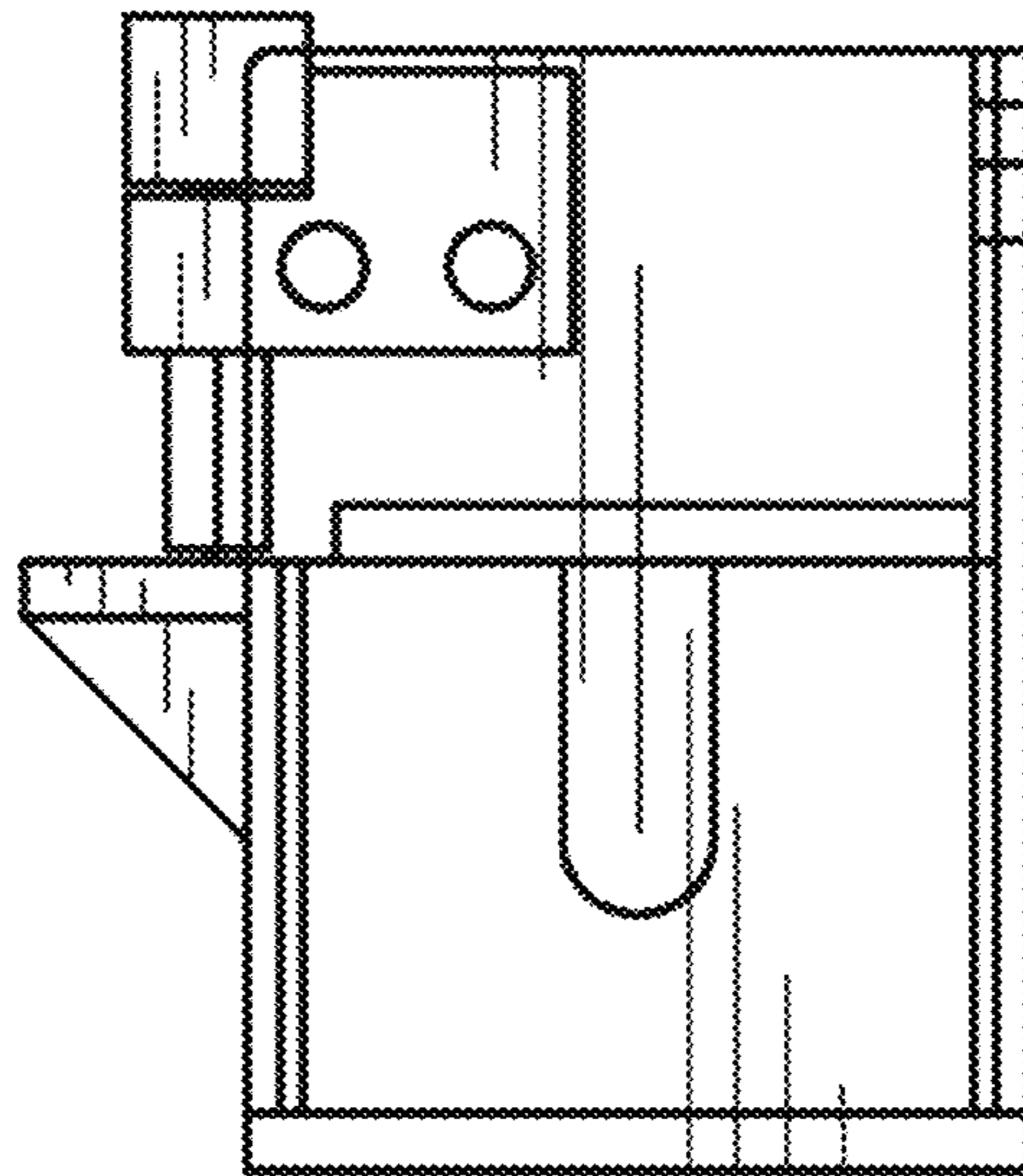


FIG. 4

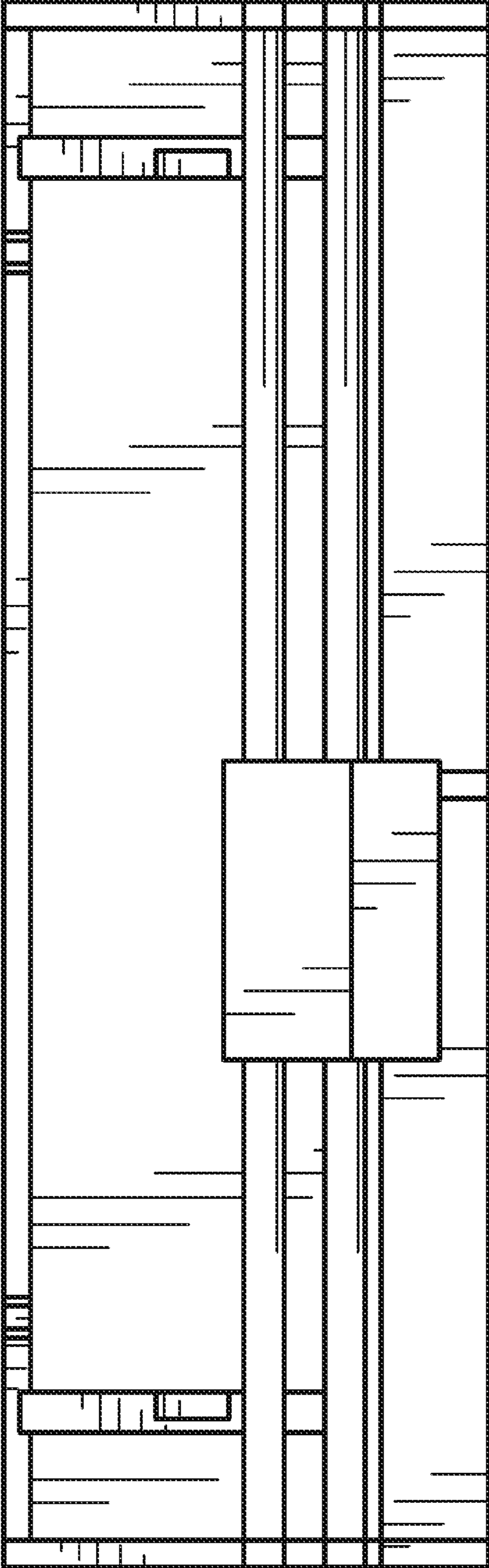


FIG. 5

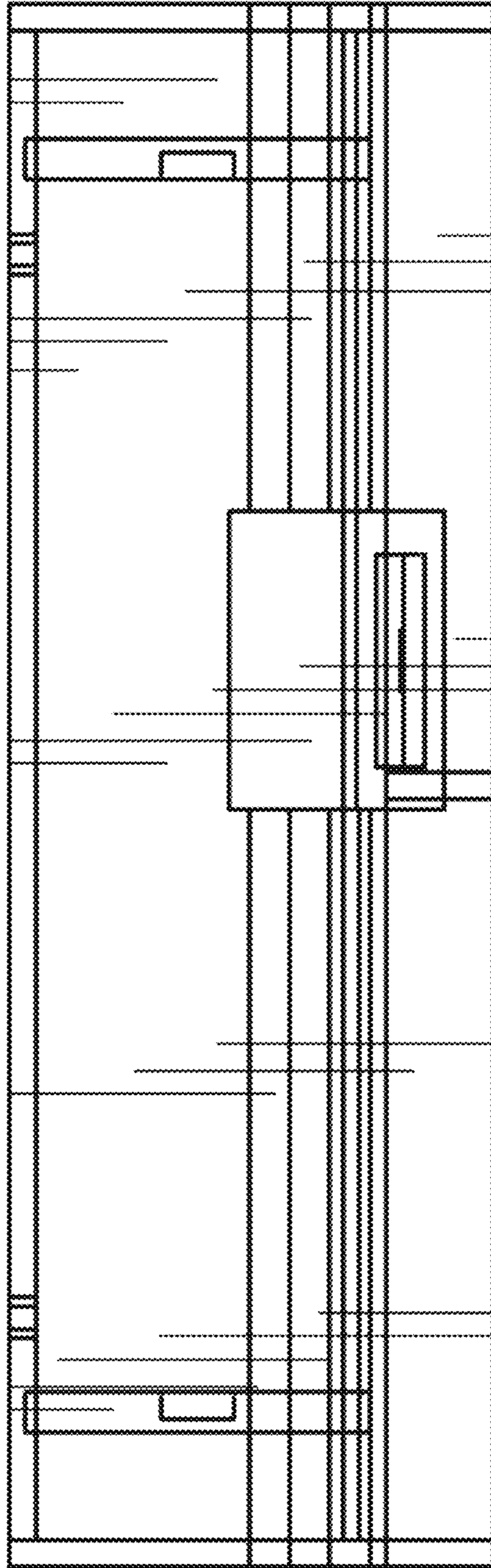


FIG. 6

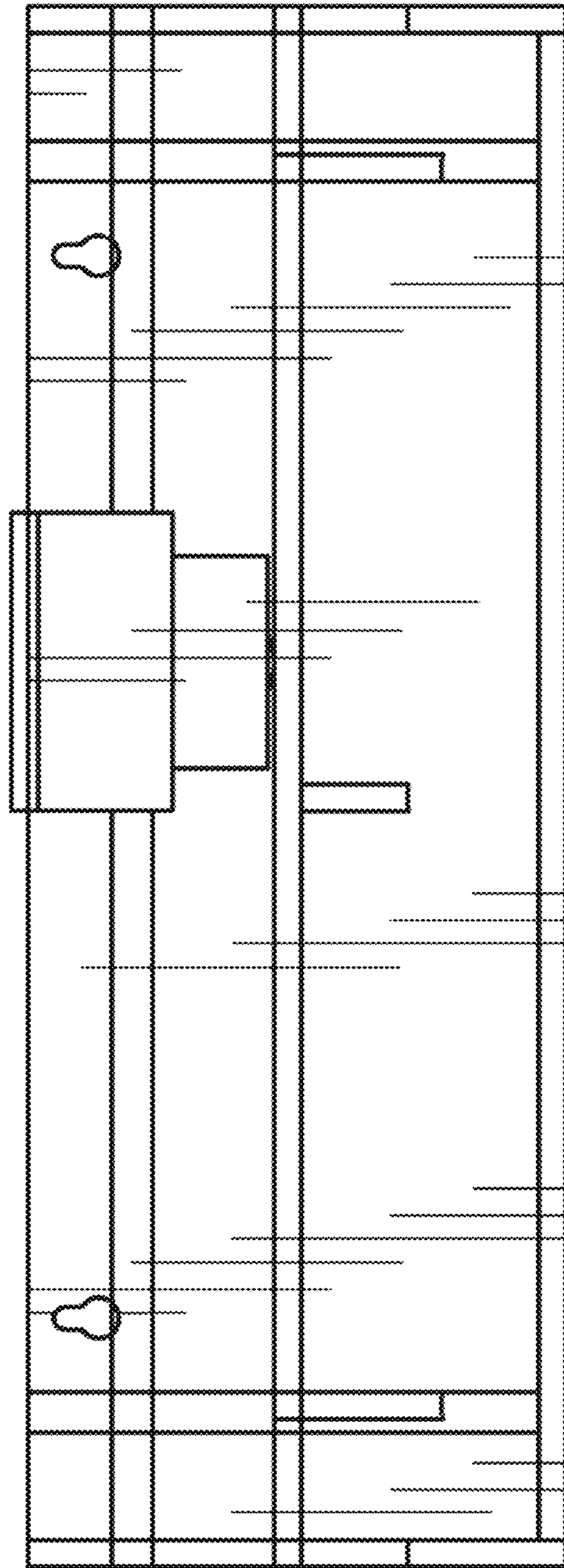


FIG. 7