



US00D957159S

(12) **United States Design Patent** (10) **Patent No.:** **US D957,159 S**
Sun (45) **Date of Patent:** **** Jul. 12, 2022**

(54) **LAPTOP BED DESK**

(71) Applicant: **Linghua Sun**, Hebei (CN)

(72) Inventor: **Linghua Sun**, Hebei (CN)

(**) Term: **15 Years**

(21) Appl. No.: **29/761,350**

(22) Filed: **Dec. 8, 2020**

(51) **LOC (13) Cl.** **06-06**

(52) **U.S. Cl.**
USPC **D6/406.6; D6/656.16**

(58) **Field of Classification Search**
USPC D6/406.1, 406.3, 406.5, 406.6, 512,
D6/685-686, 691, 704, 705, 656.15,
D6/656.16; D7/550.1, 552.2, 554.3, 555;
D14/439, 447
CPC A47G 23/06; A47G 23/08; A47G 29/093;
A47B 23/00; A47B 23/002; G06F 1/1613
See application file for complete search history.

(56) **References Cited**

U.S. PATENT DOCUMENTS

D134,456	S	*	12/1942	Hillenbrand	D6/406.1
D147,414	S	*	9/1947	Maynard et al.	D6/406.6
D299,798	S	*	2/1989	Sottsas	D6/656.16
D322,729	S	*	12/1991	Diffrient	D6/691.5
D336,393	S	*	6/1993	Saotome	D6/656.17
D536,193	S	*	2/2007	Sapp	D14/305
D557,522	S	*	12/2007	Stapleton	D6/656.17
D563,697	S	*	3/2008	Glass	D6/708.16
D710,133	S	*	8/2014	Scharer	D6/656.17
D719,767	S	*	12/2014	Scharer	D6/656.17
D875,442	S	*	2/2020	Duan	D6/656.16
D877,544	S	*	3/2020	Hu	D6/656.16

D879,513	S	*	3/2020	Pei	D6/656.15
D879,514	S	*	3/2020	Goldberg	D6/656.16
D879,515	S	*	3/2020	Goldberg	D6/656.16
D887,183	S	*	6/2020	Ying	D6/656.17
D901,946	S	*	11/2020	Egger	D6/656.17
D920,009	S	*	5/2021	Liu	D6/656.17
2005/0235886	A1	*	10/2005	Koning	A47B 3/0818 108/132
2007/0256611	A1	*	11/2007	Huang	A47B 3/08 108/116
2011/0247530	A1	*	10/2011	Coffman	A47B 9/14 108/116
2017/0251806	A1	*	9/2017	Newman	A47B 9/20
2020/0275772	A1	*	9/2020	Goldberg	A47B 9/04
2020/0337453	A1	*	10/2020	Wang	A47B 21/04

* cited by examiner

Primary Examiner — Kelley A Donnelly

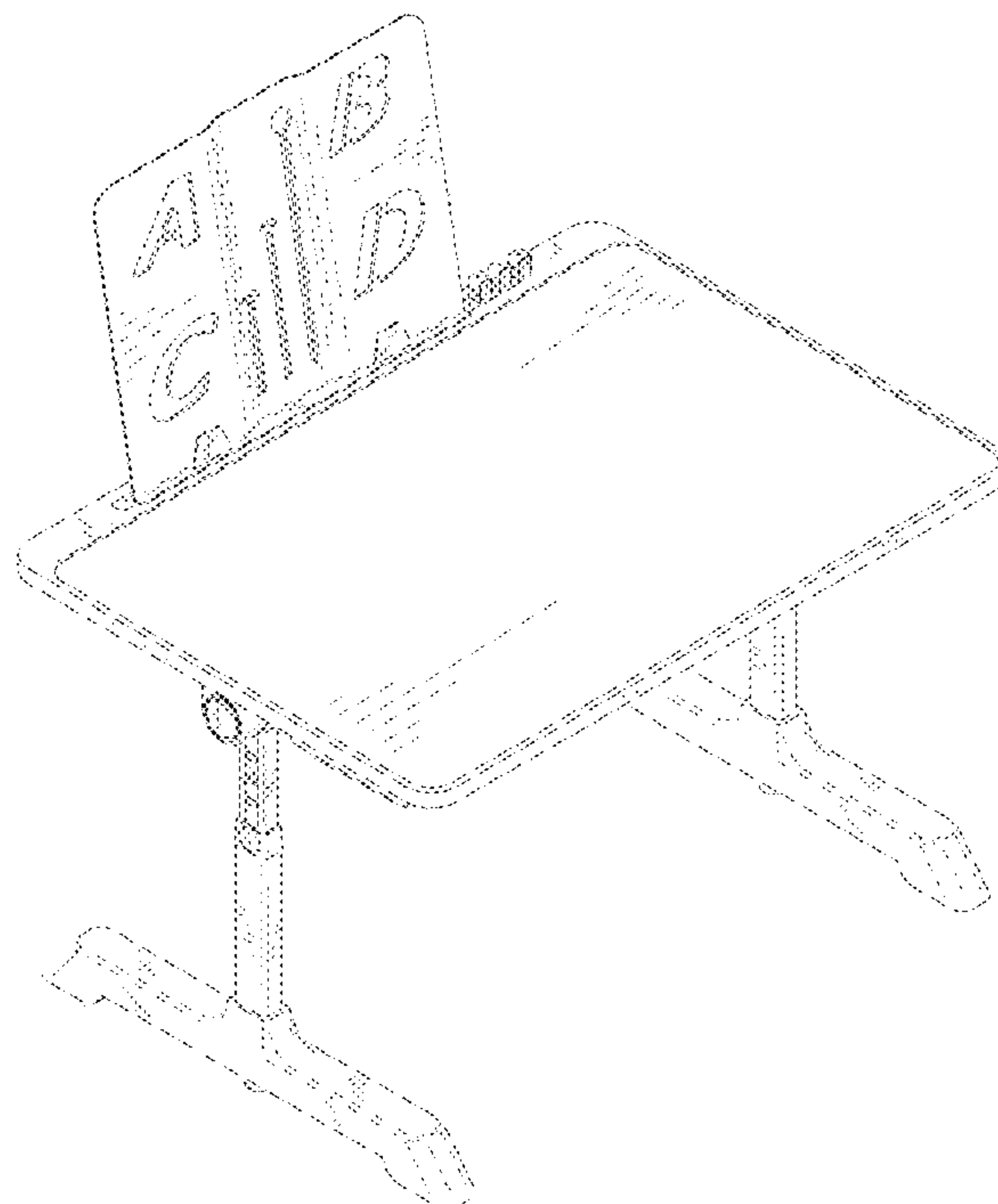
(57) **CLAIM**

The ornamental design for a laptop bed desk, as shown and described.

DESCRIPTION

FIG. 1 is a perspective view of a laptop bed desk showing my/our new design;
FIG. 2 is an alternative perspective view of the design in folding status;
FIG. 3 is an alternative perspective view of the design with its drawer open;
FIG. 4 is a front view thereof;
FIG. 5 is a back view thereof;
FIG. 6 is a left side view thereof;
FIG. 7 is a right side view thereof;
FIG. 8 is a top view thereof; and,
FIG. 9 is a bottom view thereof.

1 Claim, 9 Drawing Sheets



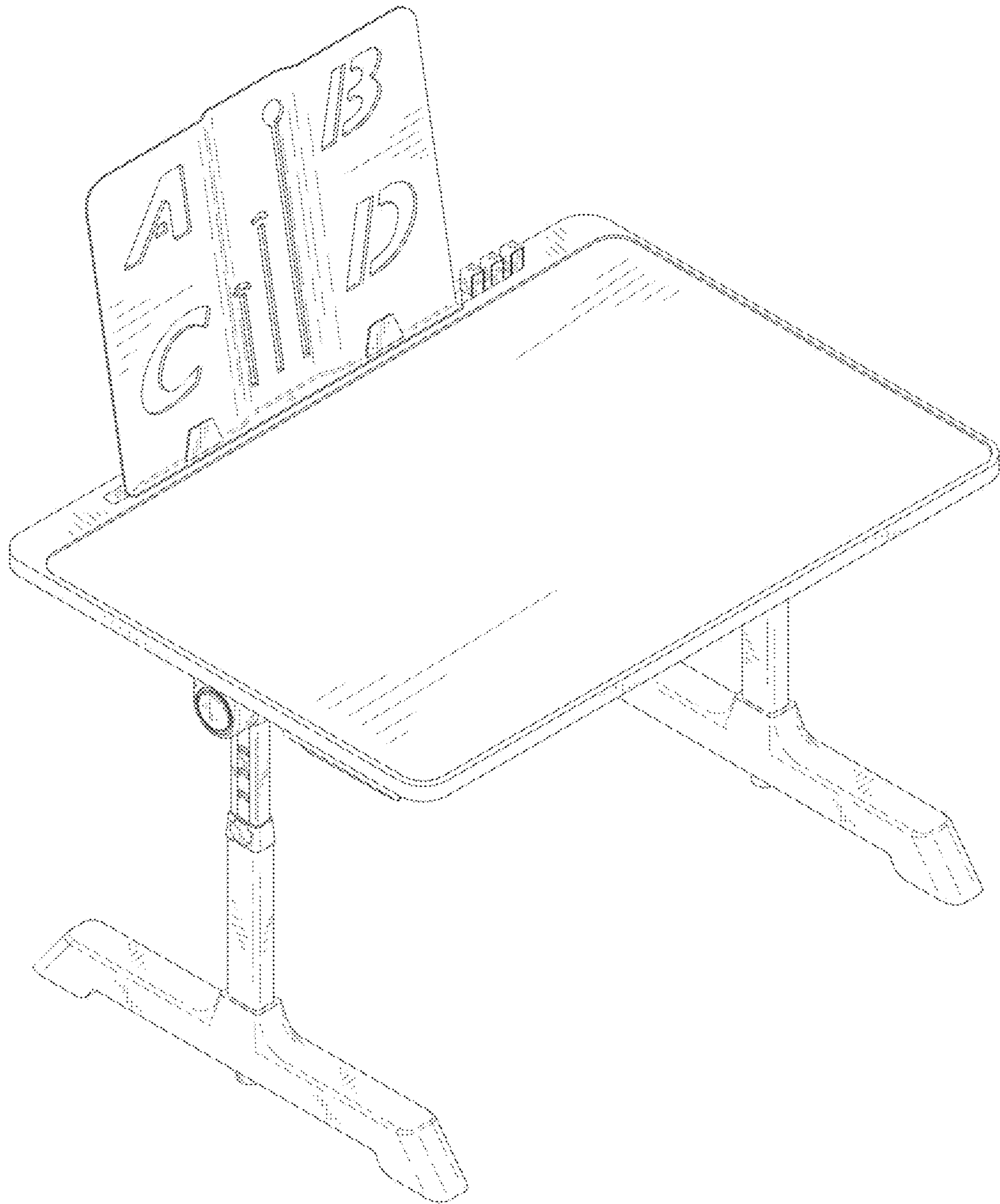


FIG.1

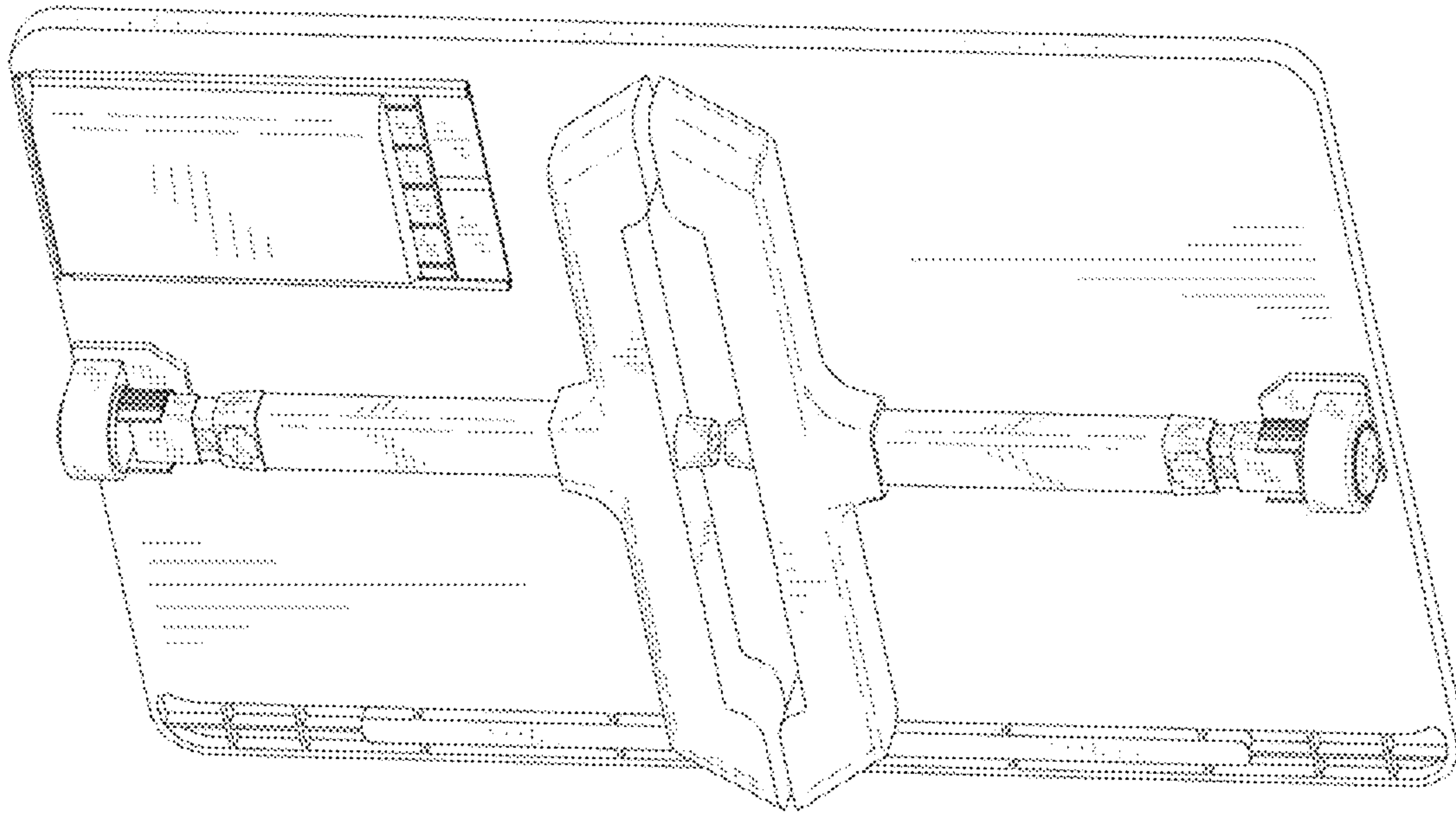


FIG.2

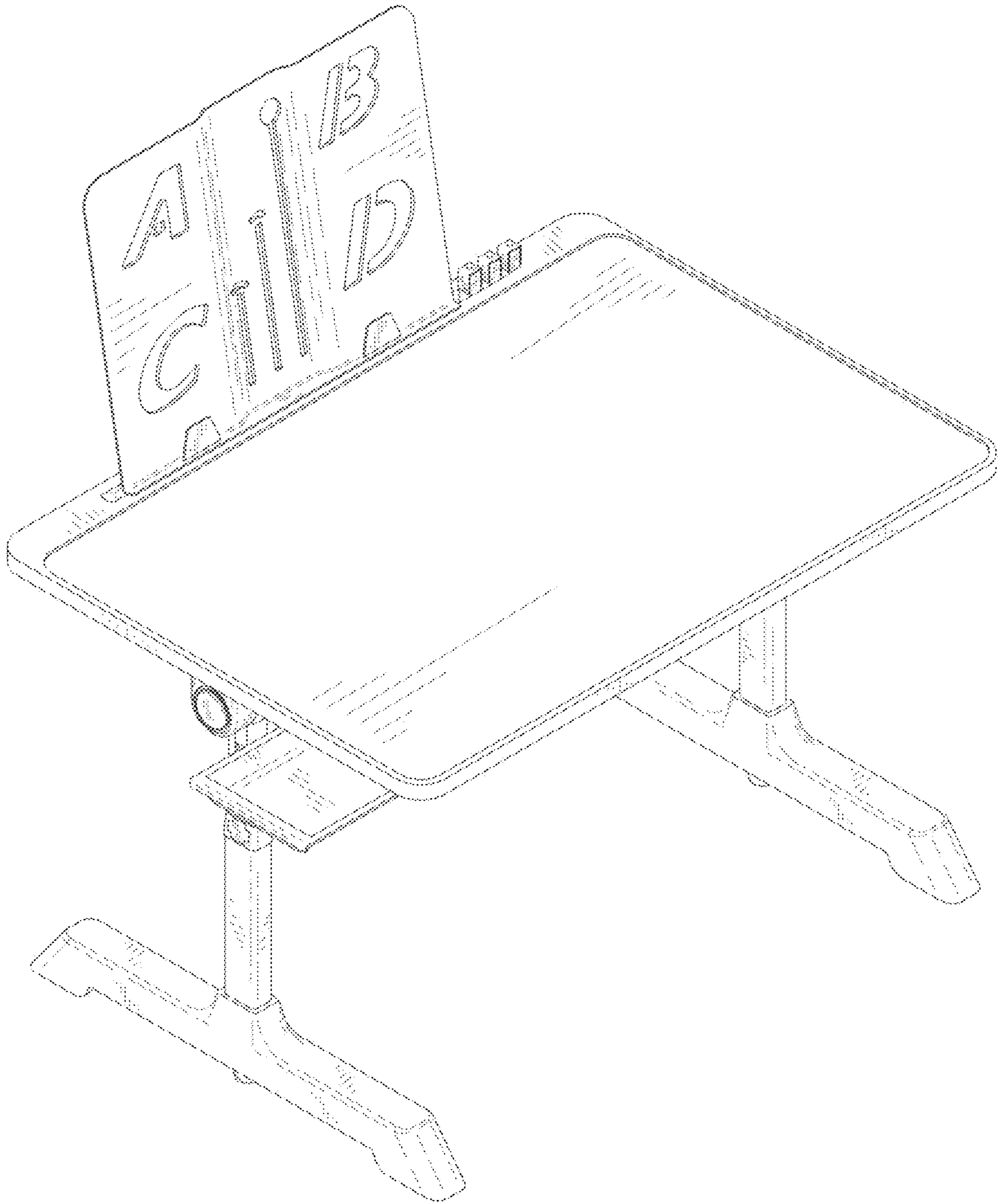


FIG. 3

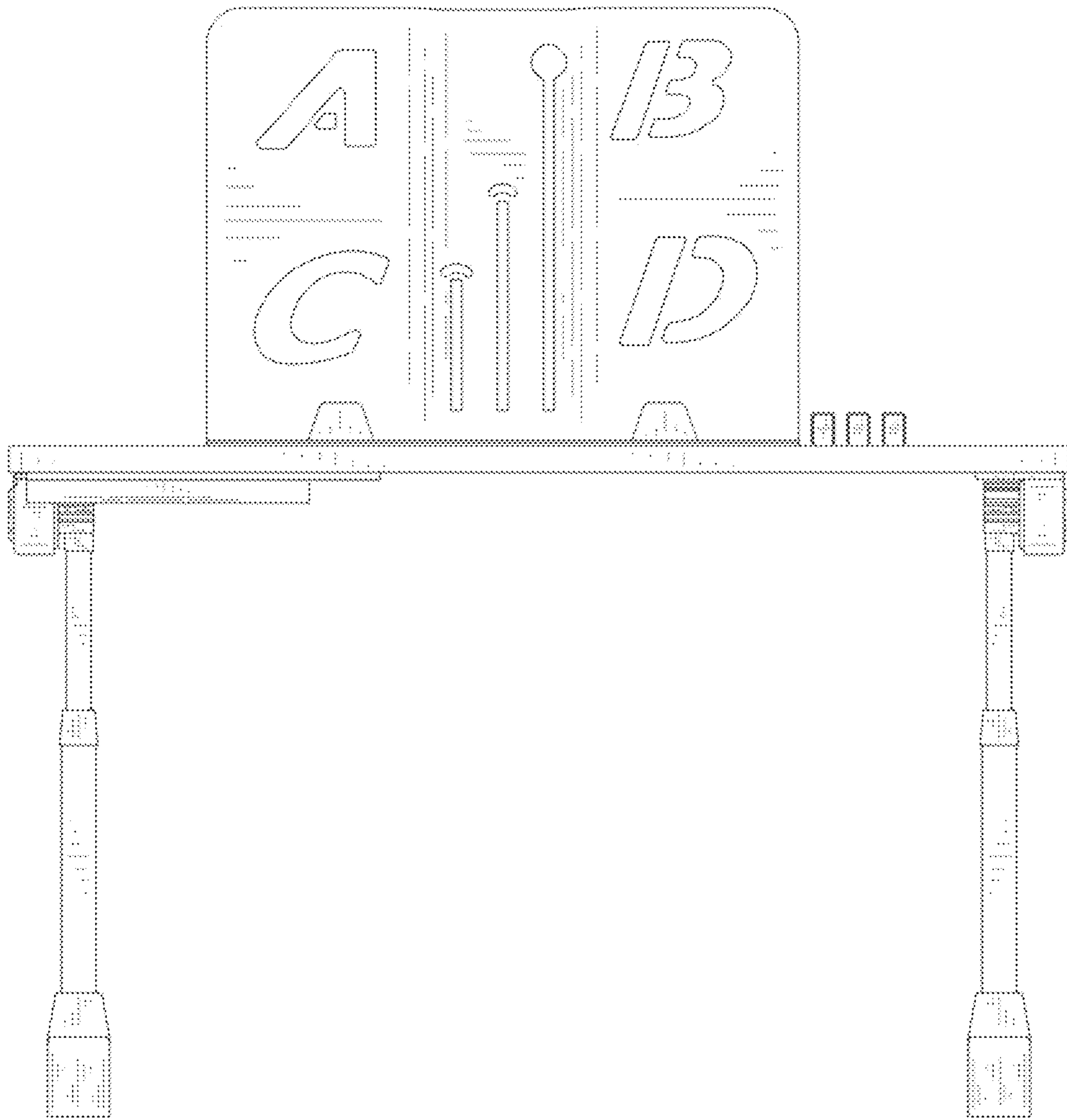


FIG.4

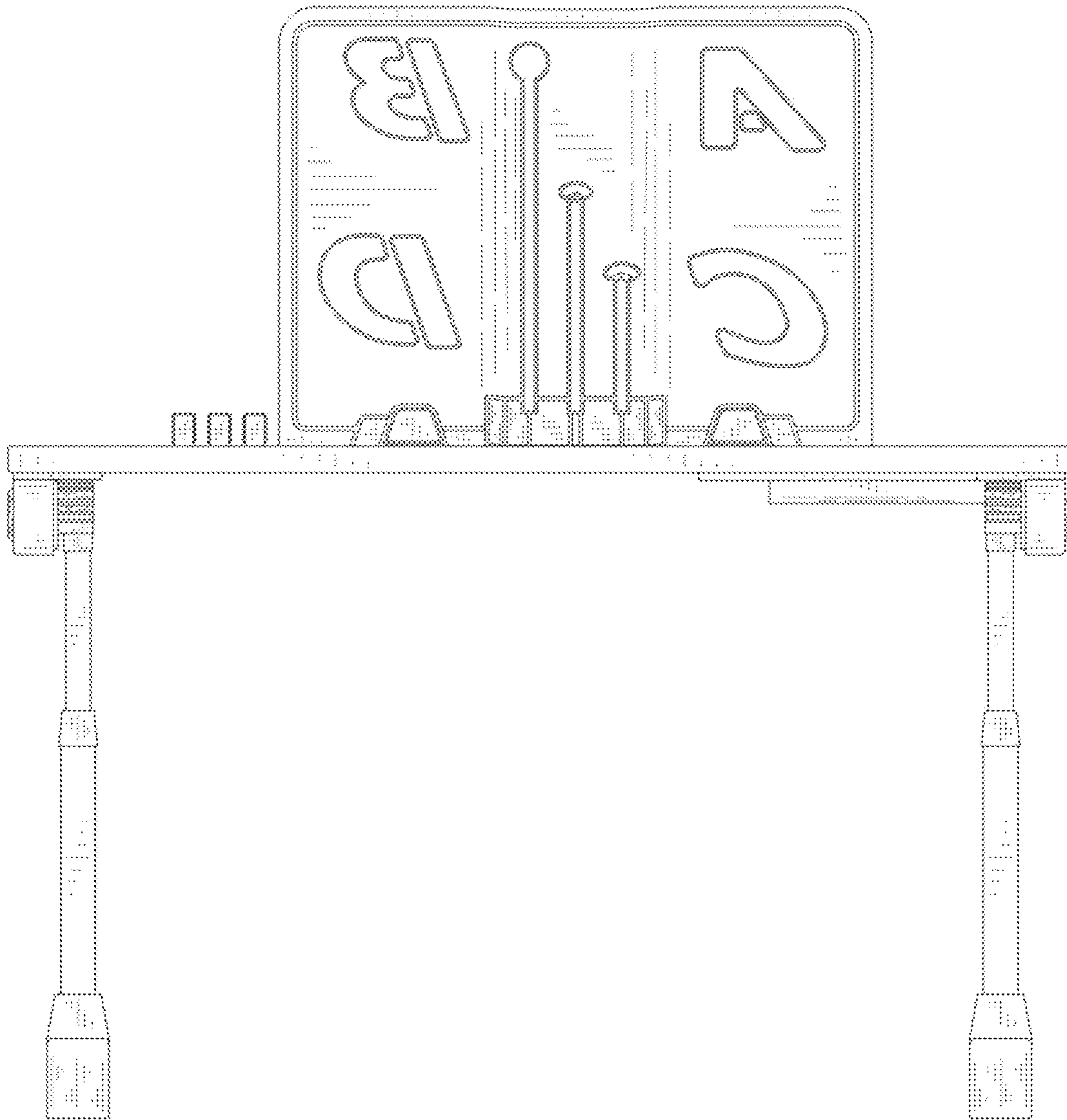


FIG. 5

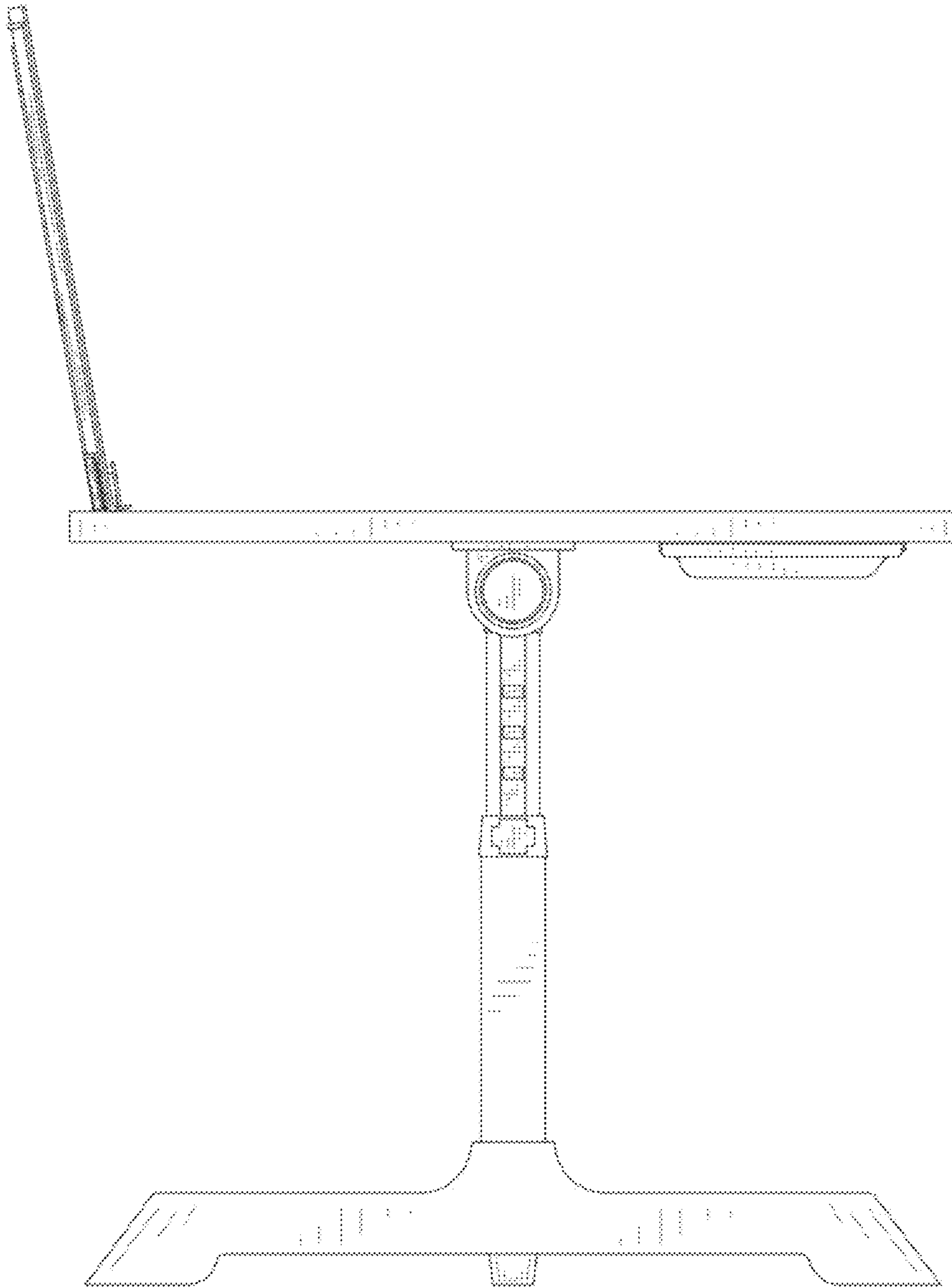


FIG. 6

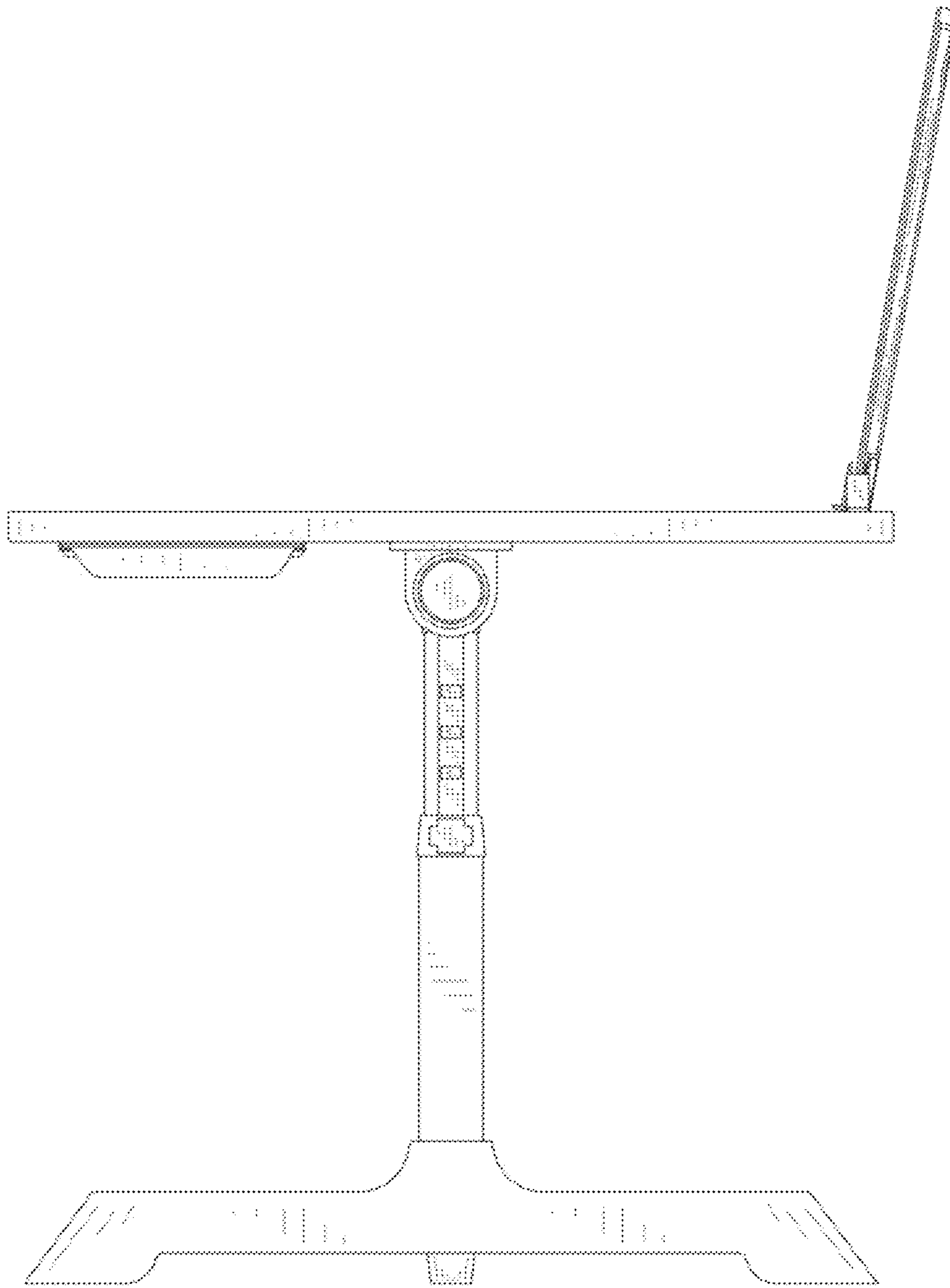


FIG. 7

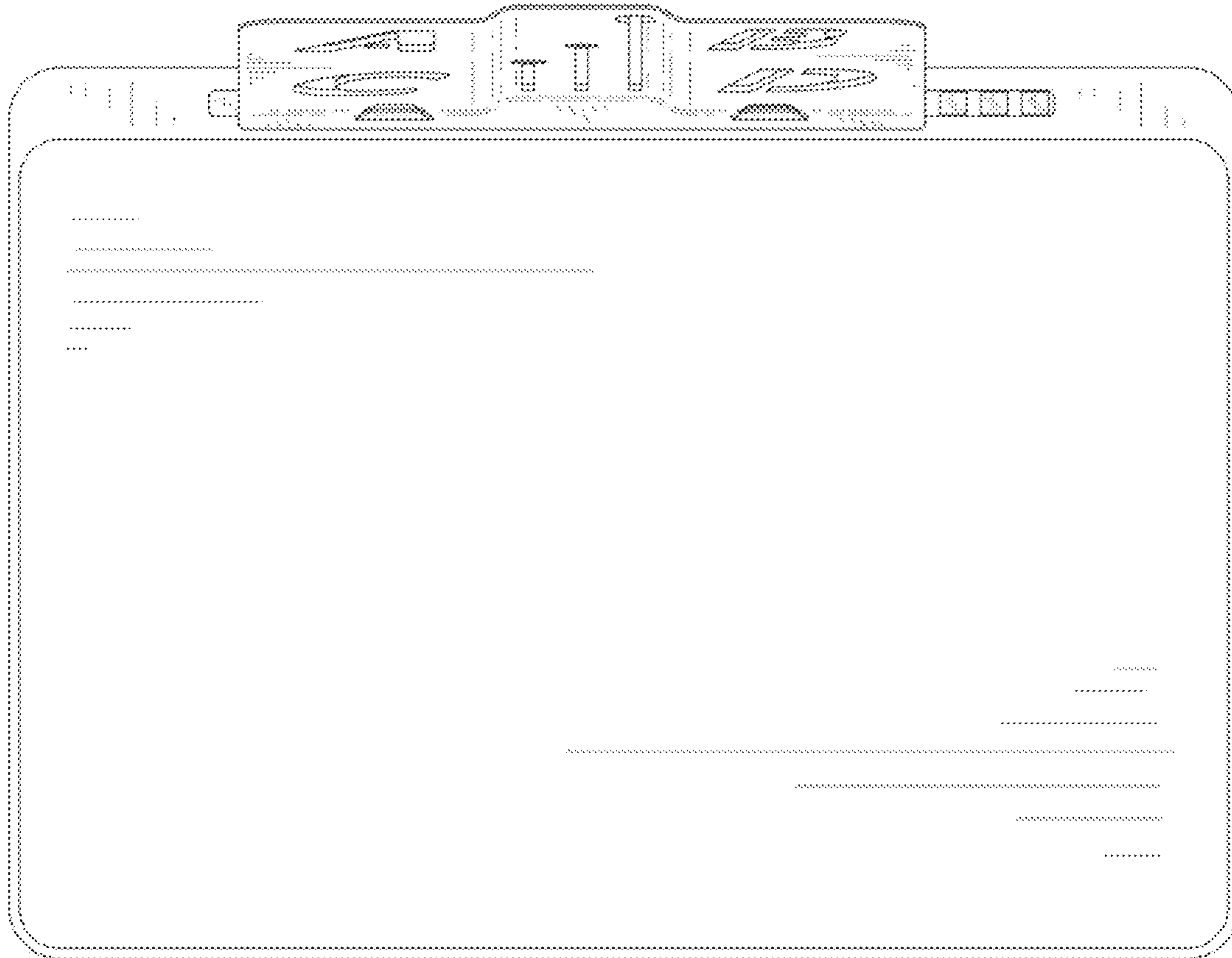


FIG. 8

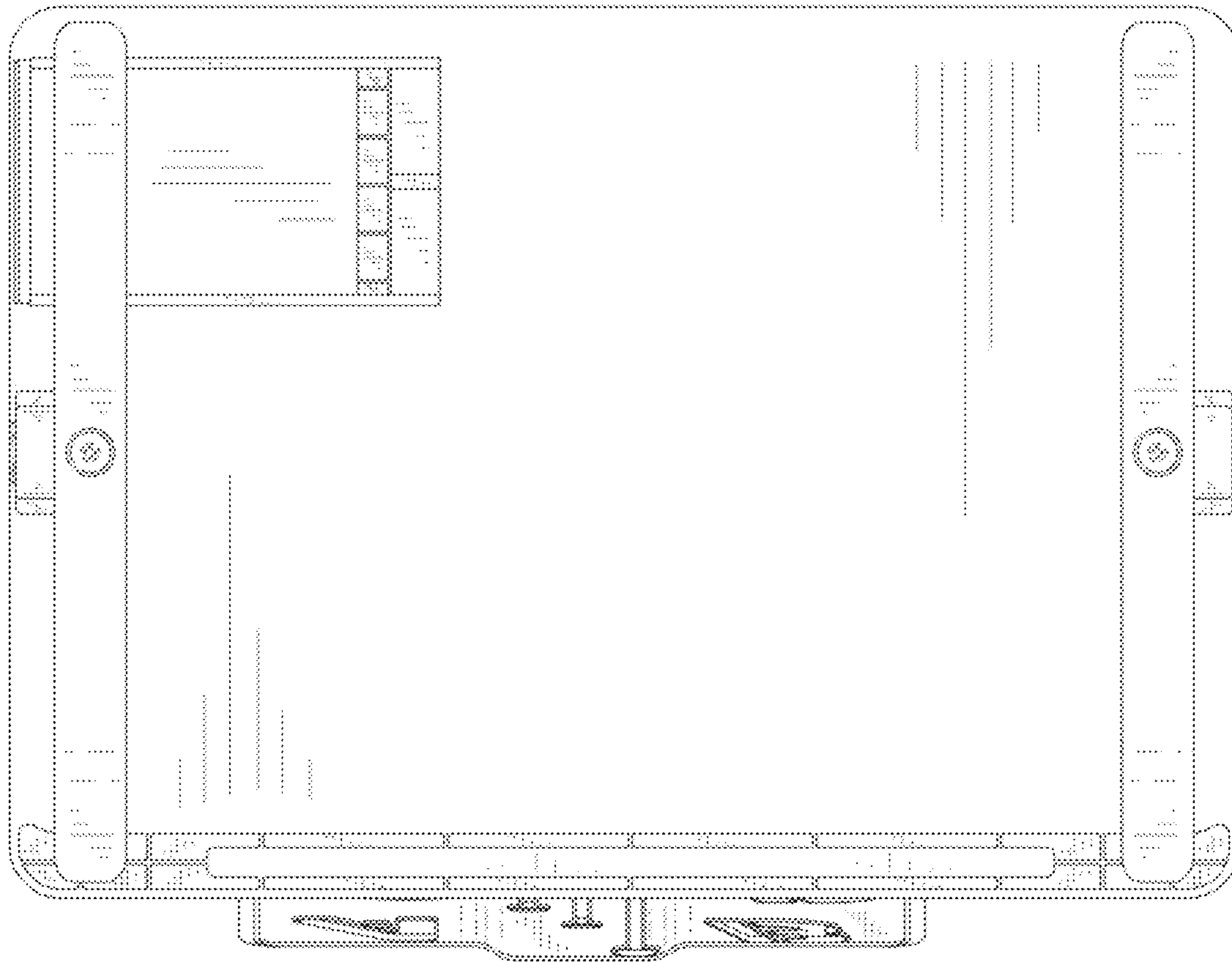


FIG. 9