



US00D957157S

(12) **United States Design Patent**
Lim et al.

(10) **Patent No.:** **US D957,157 S**
(45) **Date of Patent:** **** Jul. 12, 2022**

(54) **BED WITH MATTRESS**

(71) Applicant: **LG ELECTRONICS INC.**, Seoul (KR)

(72) Inventors: **Jaemyung Lim**, Seoul (KR); **Keunho Ju**, Seoul (KR); **Deung Hwangbo**, Seoul (KR); **Hojae Jung**, Seoul (KR); **Eunkyung Noh**, Seoul (KR); **Jeaseok Seong**, Seoul (KR)

(73) Assignee: **LG ELECTRONICS INC.**, Seoul (KR)

(**) Term: **15 Years**

(21) Appl. No.: **29/735,509**

(22) Filed: **May 21, 2020**

(30) **Foreign Application Priority Data**

Dec. 23, 2019 (KR) 30-2019-0062475

(51) **LOC (13) Cl.** **06-02**

(52) **U.S. Cl.**
USPC **D6/392**

(58) **Field of Classification Search**
USPC D6/382, 383, 392-395, 595-596, D6/604-605
CPC A47C 27/14; A47C 21/04; C12M 1/12; B29C 45/90; F16F 3/087; A61L 2/10
See application file for complete search history.

(56) **References Cited**

U.S. PATENT DOCUMENTS

D612,630 S * 3/2010 Coleman D6/393
D622,088 S * 8/2010 Morrison D6/605
D747,117 S * 1/2016 Lau D6/393
D831,478 S * 10/2018 Moon D9/432
D932,118 S * 9/2021 Lim D32/1

D932,808 S * 10/2021 Keeley D6/605
2014/0182060 A1 * 7/2014 Mikkelsen A47C 19/025
5/400
2016/0128499 A1 * 5/2016 Jhou A47C 27/008
5/493
2020/0170418 A1 * 6/2020 Oh A47C 21/048
2020/0171183 A1 * 6/2020 Oh A47C 31/007

OTHER PUBLICATIONS

Simple, available in architonic.com, published Year 2005 [online], Retrieved on Dec. 15, 2021 from URL: <https://www.architonic.com/en/product/zeitraum-simple/1016324> (Year: 2005).*

* cited by examiner

Primary Examiner — Vy N Koenig

Assistant Examiner — Michelle M Reeves

(74) *Attorney, Agent, or Firm* — Birch, Stewart, Kolasch & Birch, LLP

(57) **CLAIM**

We claim the ornamental design for a bed with mattress, as shown and described.

DESCRIPTION

FIG. 1 is a perspective view of a bed with mattress showing the new design;
FIG. 2 is a front elevation view thereof;
FIG. 3 is a rear elevation view thereof;
FIG. 4 is a left side elevation view thereof;
FIG. 5 is a right side elevation view thereof;
FIG. 6 is a top plan view thereof;
FIG. 7 is a bottom plan view thereof; and,
FIG. 8 is another perspective view showing a state of use thereof.

The broken lines shown in the drawings depict portions of the bed with mattress that form no part of the claimed design.

1 Claim, 8 Drawing Sheets

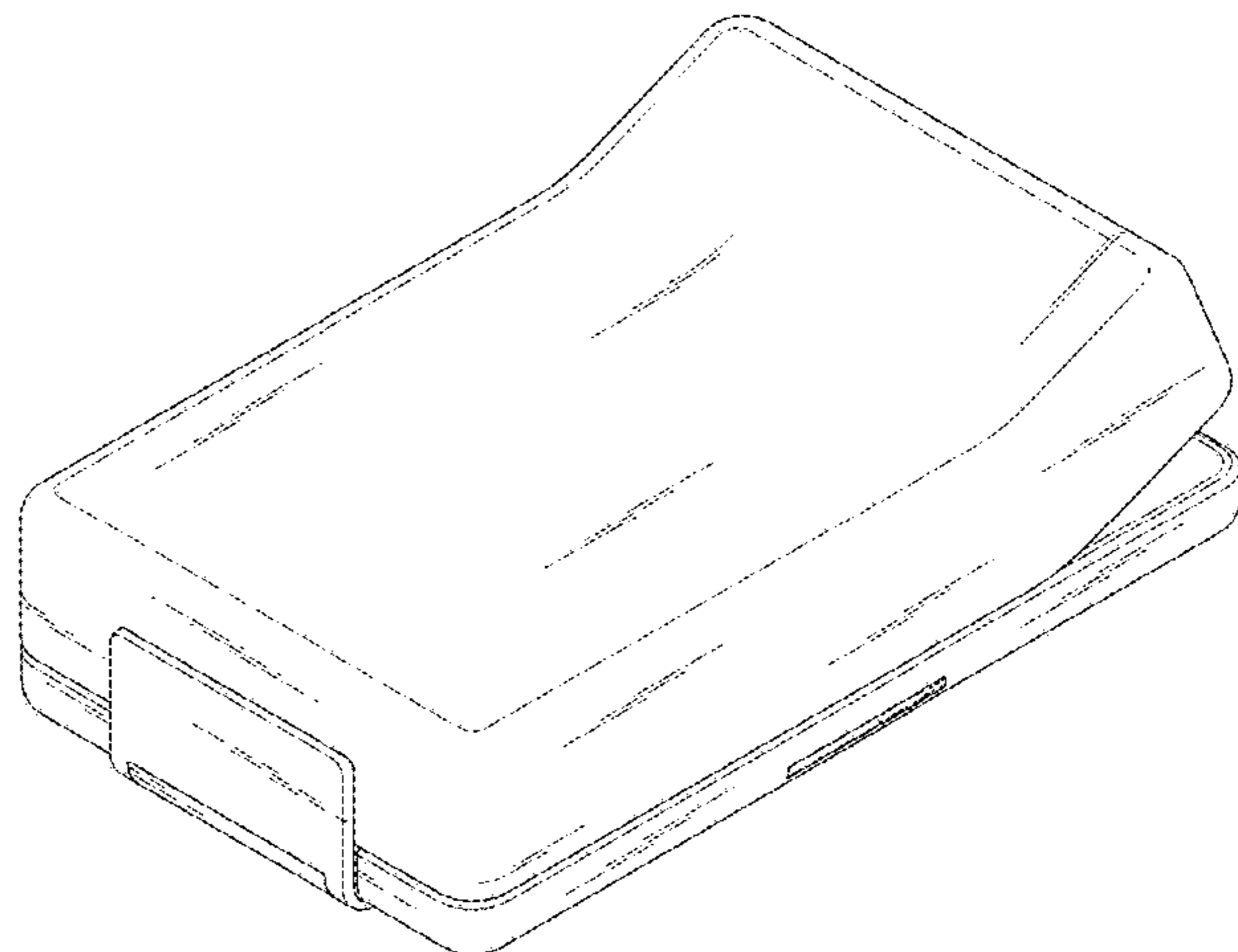
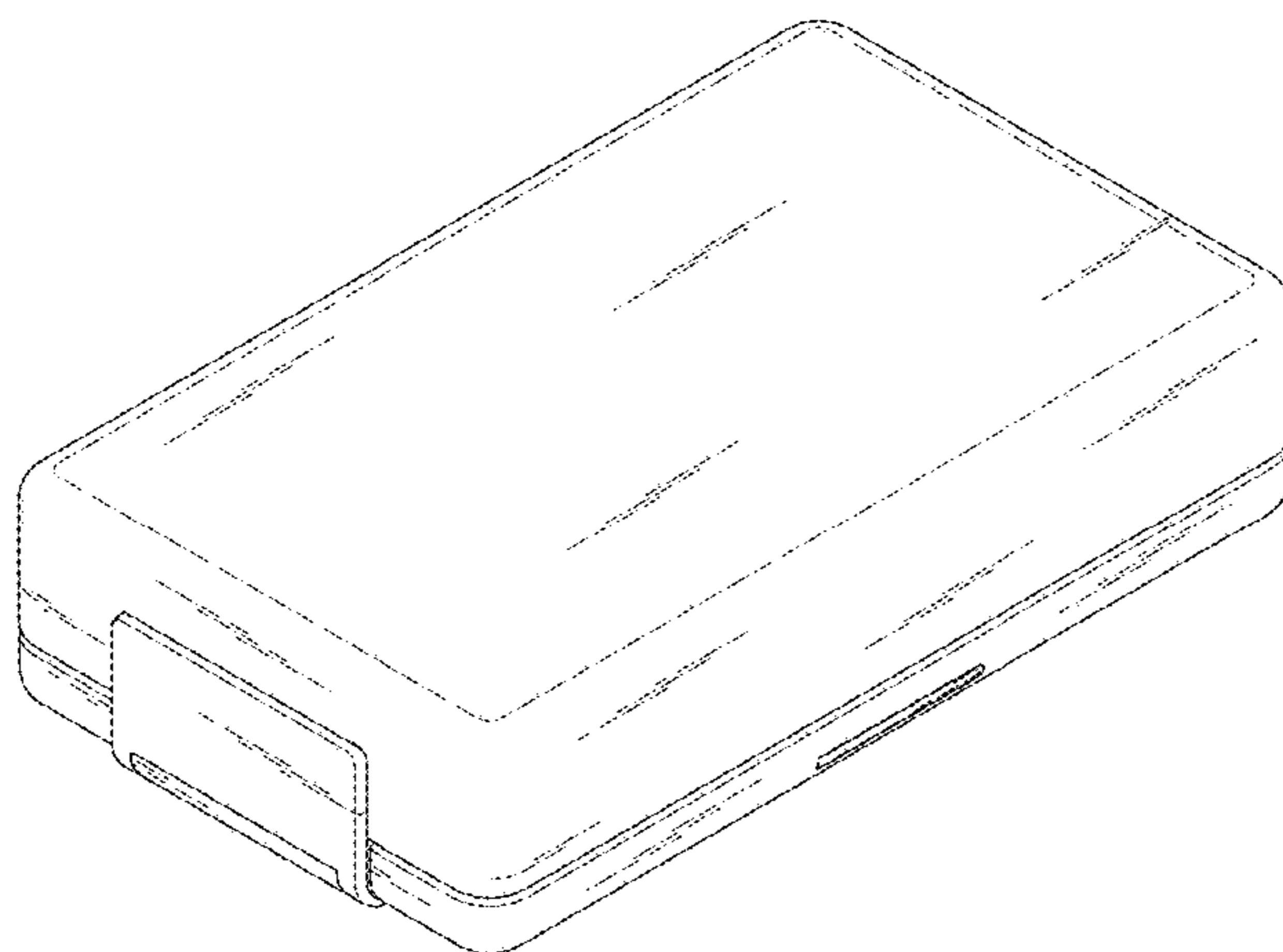


FIG. 1

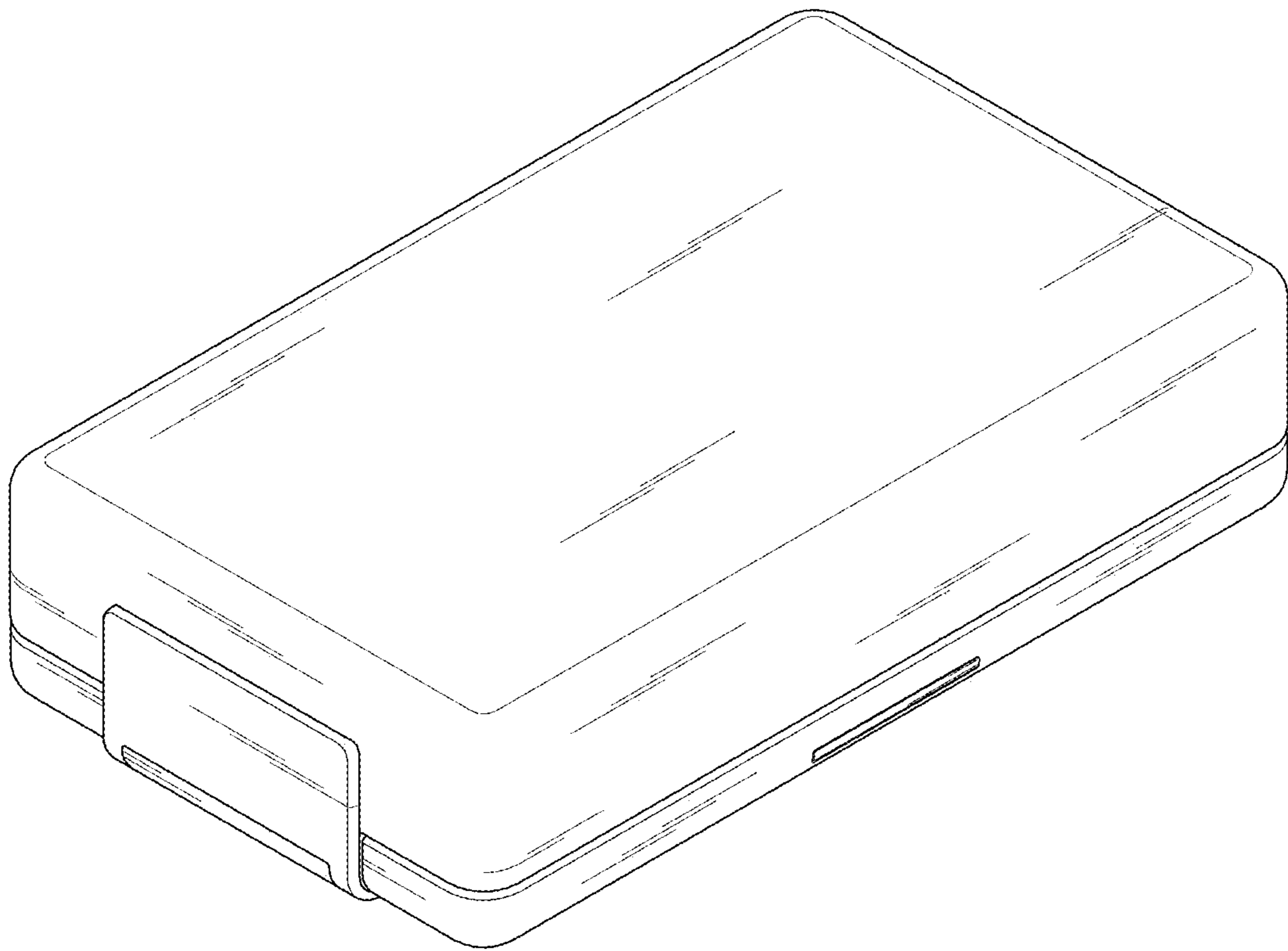


FIG. 2

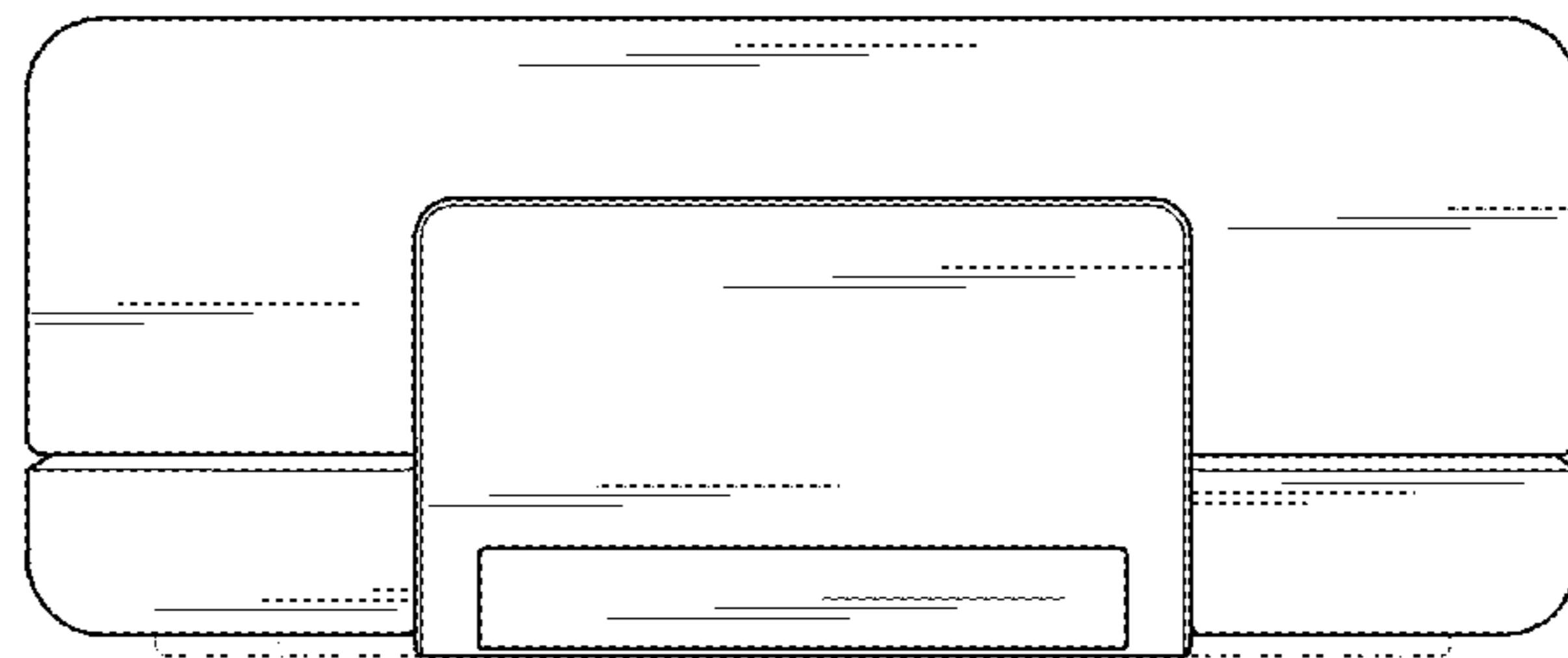


FIG. 3

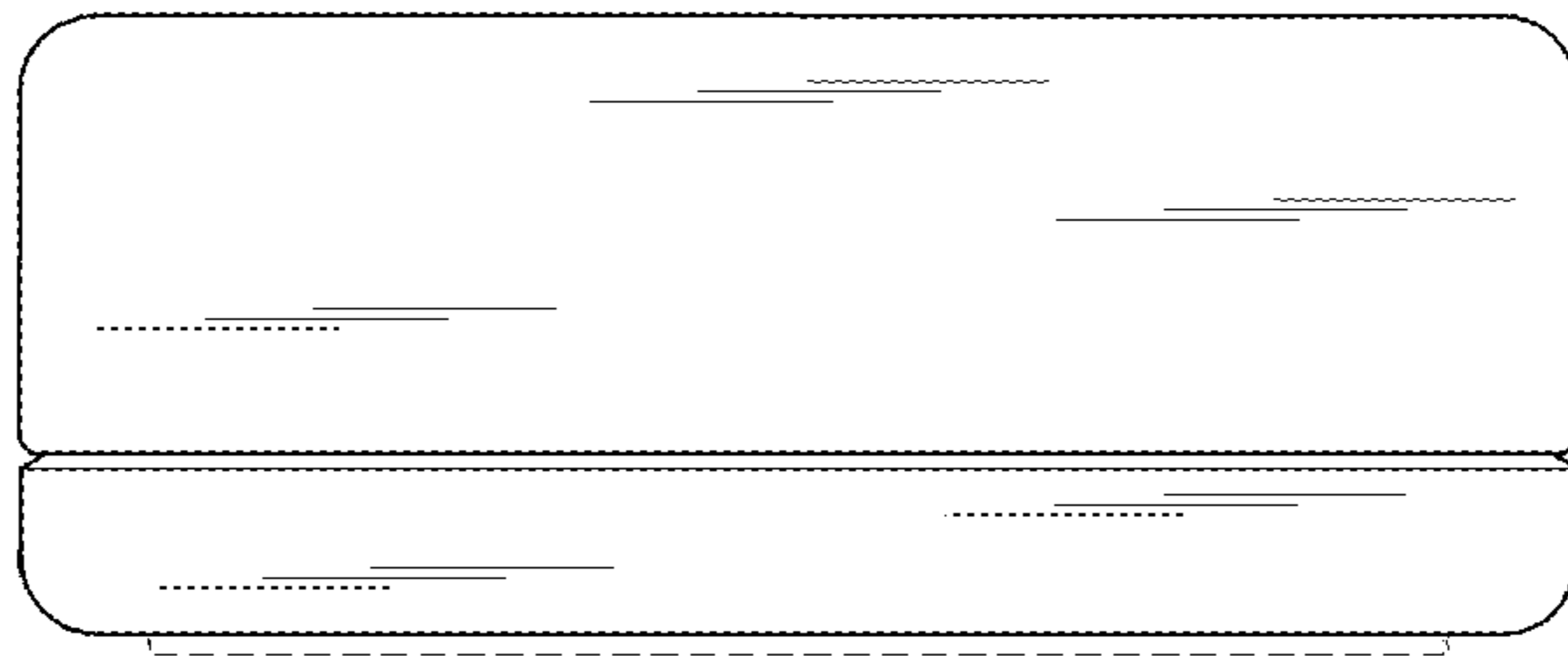


FIG. 4

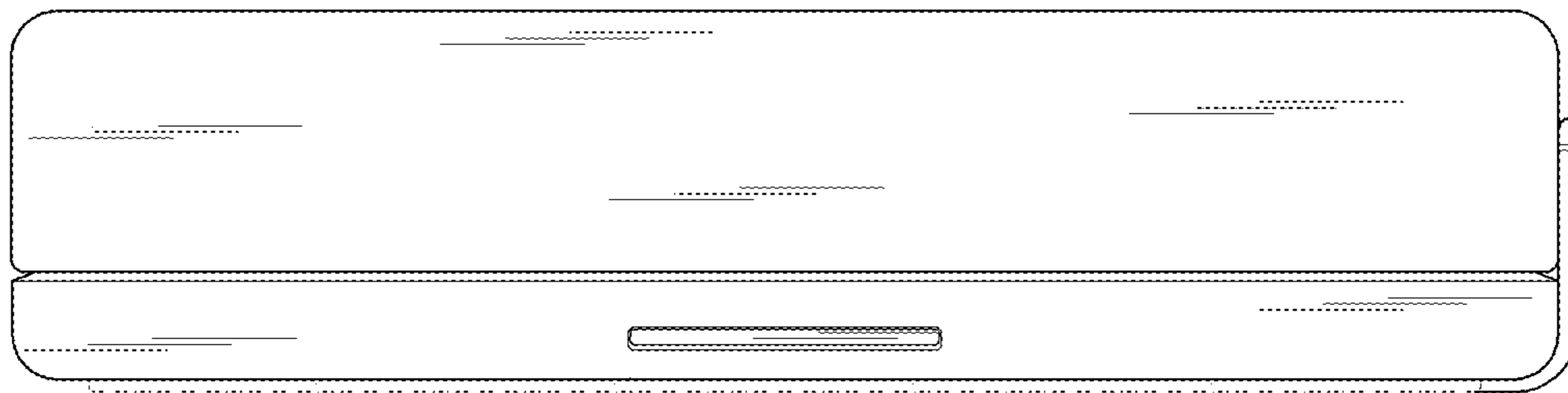


FIG. 5

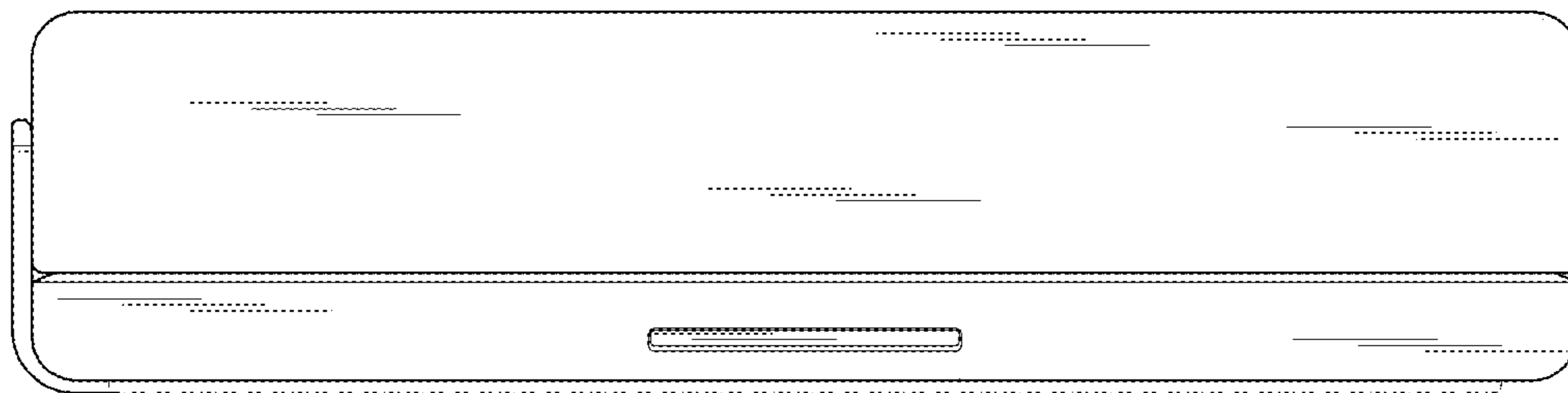


FIG. 6

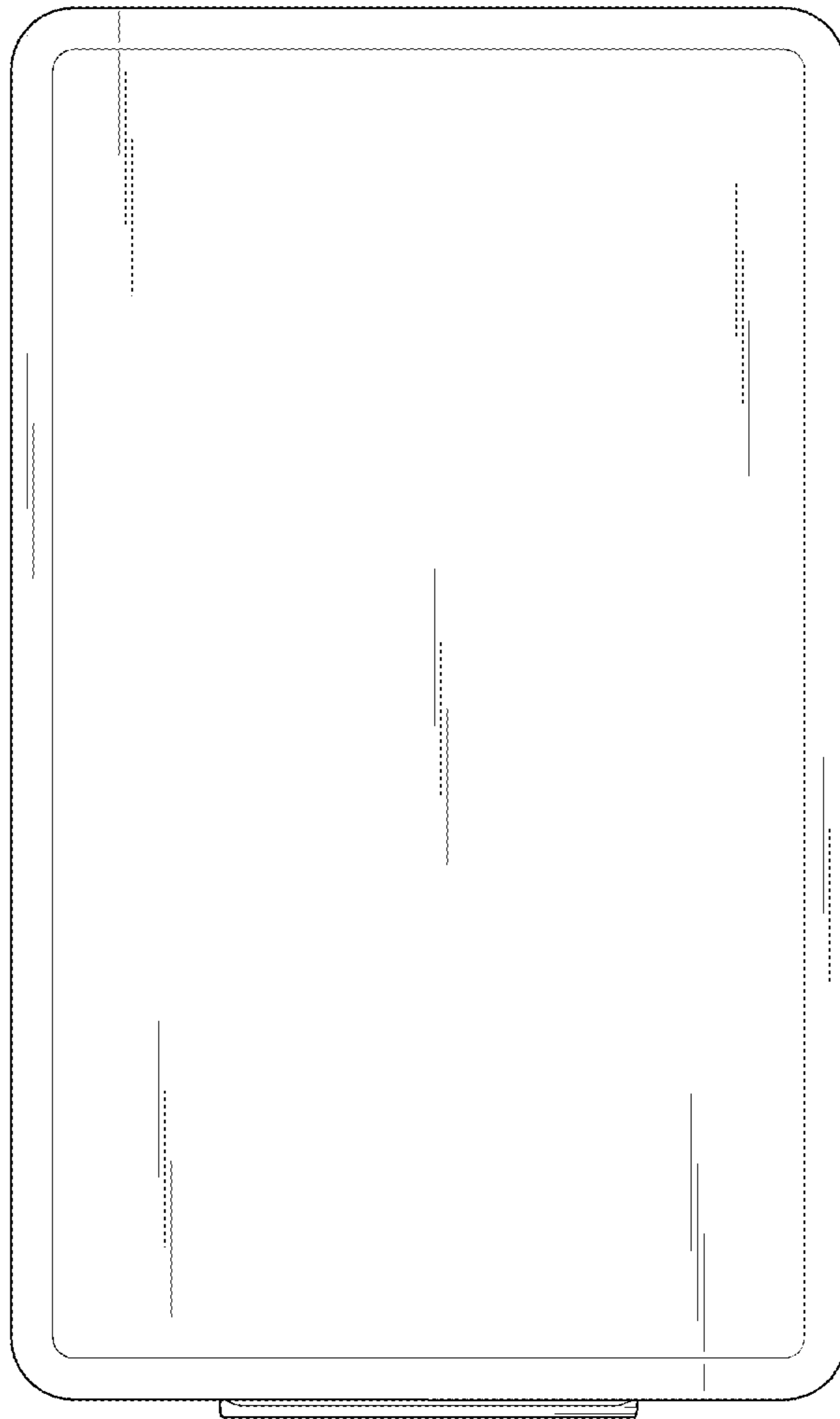


FIG. 7

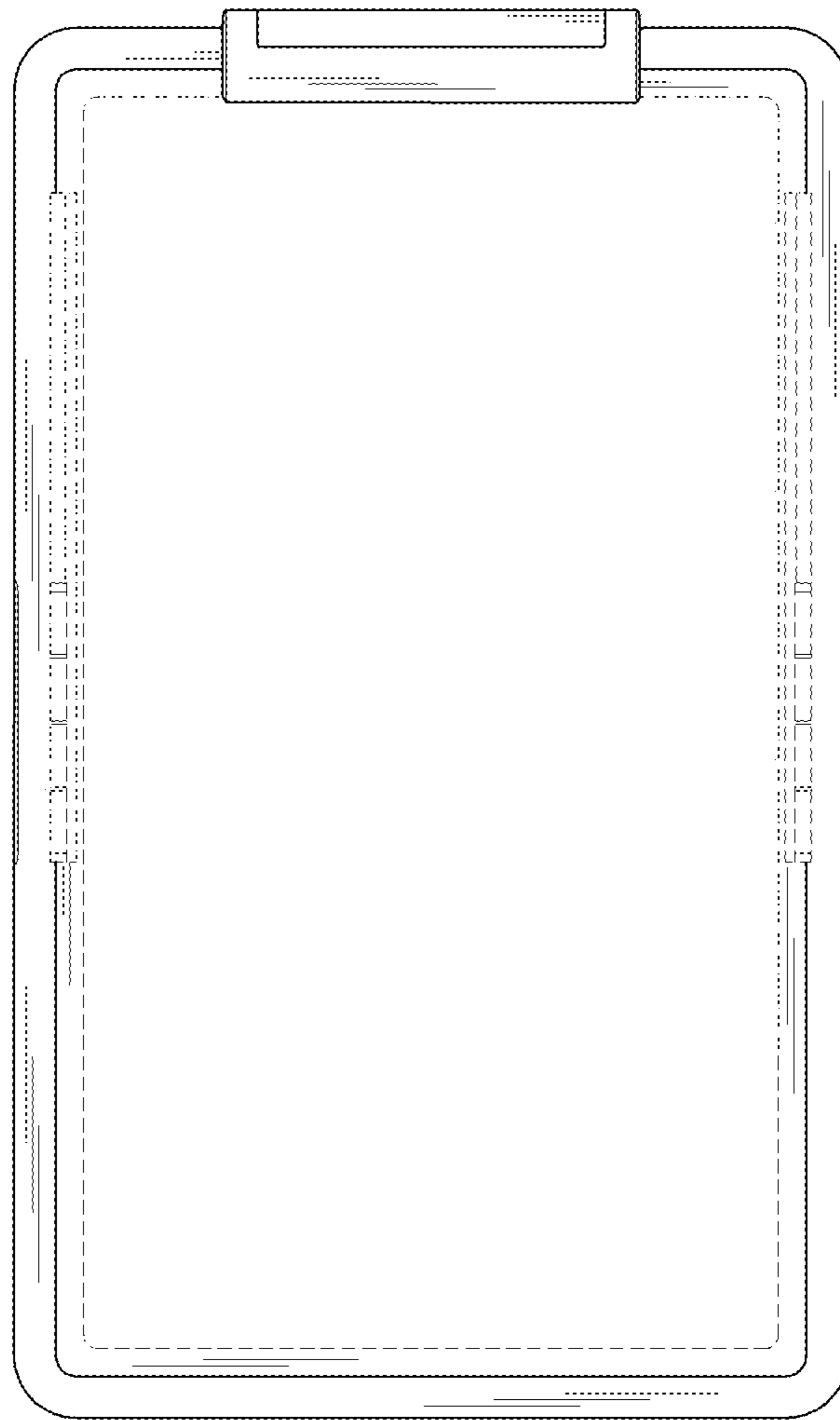


FIG. 8

