



US00D957155S

(12) **United States Design Patent** (10) **Patent No.:** **US D957,155 S**
Lithgow et al. (45) **Date of Patent:** **** Jul. 12, 2022**

(54) **SOFA**

FOREIGN PATENT DOCUMENTS

(71) Applicant: **Dmitriy & Company LLC**, New York, NY (US)

WO D213941-004 * 9/2020
WO D213941-005 * 5/2021

(72) Inventors: **Alexander Lithgow**, New York, NY (US); **Joshua Edward Dycus**, New York, NY (US); **Donata Blekhtser**, New York, NY (US); **Dmitriy Feldman**, New York, NY (US)

OTHER PUBLICATIONS

Newport Sofa [online], [site visited Mar. 21, 2022]. Available from internet, URL: <<https://www.westelm.com/products/newport-sofa-84-h5007/?pkey=csofas>> (Year: 2022).*

(Continued)

(73) Assignee: **DMITRIY & COMPANY LLC**, New York, NY (US)

Primary Examiner — Cynthia Ramirez
Assistant Examiner — Xavier Marti-Santos

(**) Term: **15 Years**

(74) *Attorney, Agent, or Firm* — Lewis Roca Rothgerber Christie LLP

(21) Appl. No.: **29/752,659**

(57) **CLAIM**

(22) Filed: **Sep. 28, 2020**

The ornamental design for a sofa, as shown and described.

(51) **LOC (13) Cl.** **06-01**

DESCRIPTION

(52) **U.S. Cl.**

USPC **D6/381**

(58) **Field of Classification Search**

USPC D6/334-337, 349, 369, 374, 375, 377, D6/381

CPC A47C 17/00; A47C 17/02; A47C 17/86

See application file for complete search history.

FIG. 1 is a perspective view of a first embodiment of a sofa showing our new design;
FIG. 2 is a top plan view thereof;
FIG. 3 is a front elevation view thereof;
FIG. 4 is a right side elevation view thereof, the left side being a mirror image;
FIG. 5 is a rear elevation view thereof;
FIG. 6 is a perspective view of a second embodiment of a sofa showing our new design;
FIG. 7 is a top plan view thereof;
FIG. 8 is a front elevation view thereof;
FIG. 9 is a right side elevation view thereof, the left side being a mirror image; and,
FIG. 10 is a rear elevation view thereof.

The second embodiment is shown with symbolic breaks in FIGS. 6-8 and 10, and those portions of the article between the break lines form no part of the claimed design.

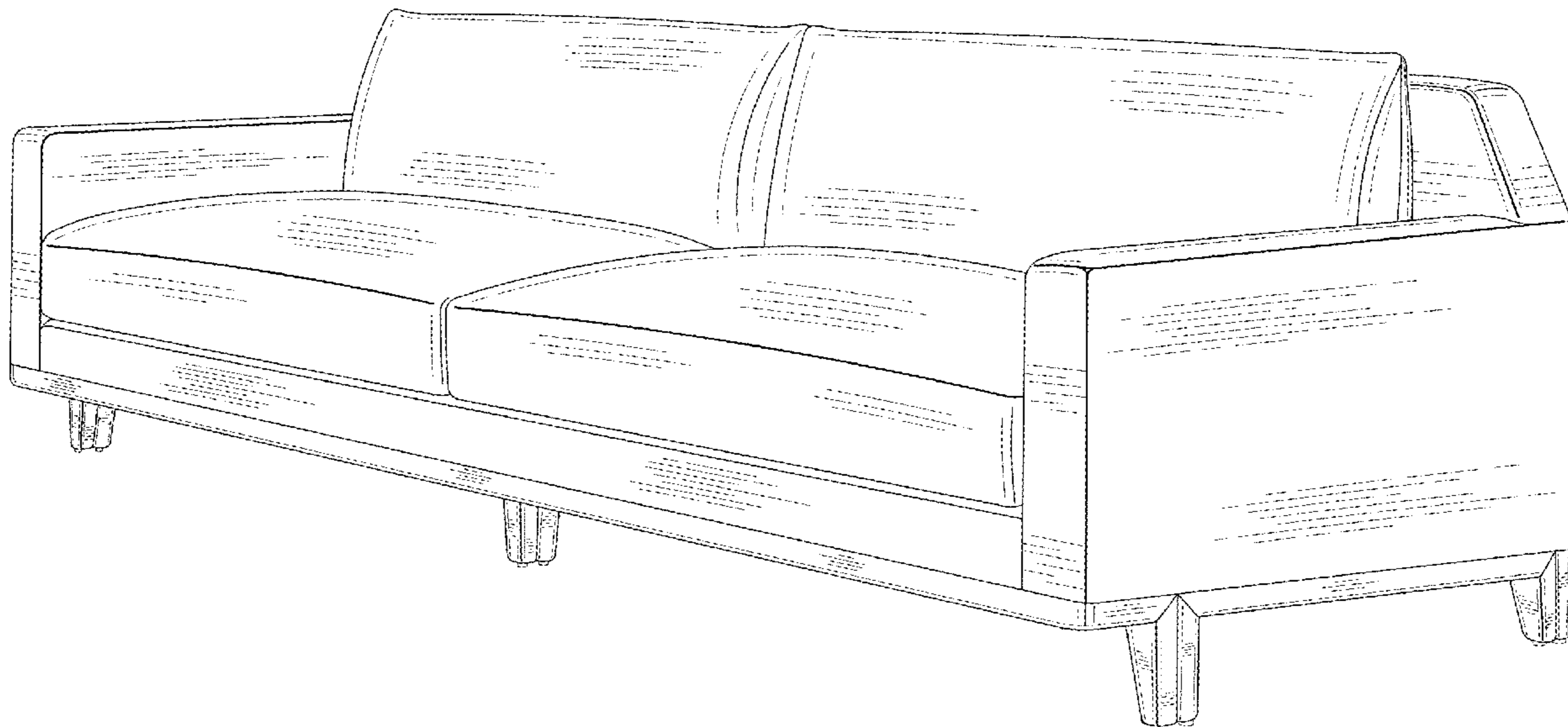
(56) **References Cited**

U.S. PATENT DOCUMENTS

D495,892 S * 9/2004 Ricci D6/381
D578,798 S * 10/2008 Ricci D6/381
D584,524 S * 1/2009 Ricci D6/381
D590,165 S * 4/2009 Natuzzi D6/381
D592,881 S * 5/2009 Natuzzi D6/381
D592,882 S * 5/2009 Natuzzi D6/381
D677,911 S * 3/2013 Hamilton D6/334
D718,551 S * 12/2014 Banda D6/381
D807,660 S * 1/2018 Hughes D6/381

(Continued)

1 Claim, 10 Drawing Sheets



(56)

References Cited

U.S. PATENT DOCUMENTS

D809,815 S * 2/2018 Natuzzi D6/381
D814,207 S * 4/2018 Garrison D6/381

OTHER PUBLICATIONS

Kessel Sofa [online], [site visited Mar. 22, 2022]. Available from internet, URL: <<https://www.dmitriyco.com/products/kessel-sofa>> (Year: 2022).*

* cited by examiner

FIG. 1

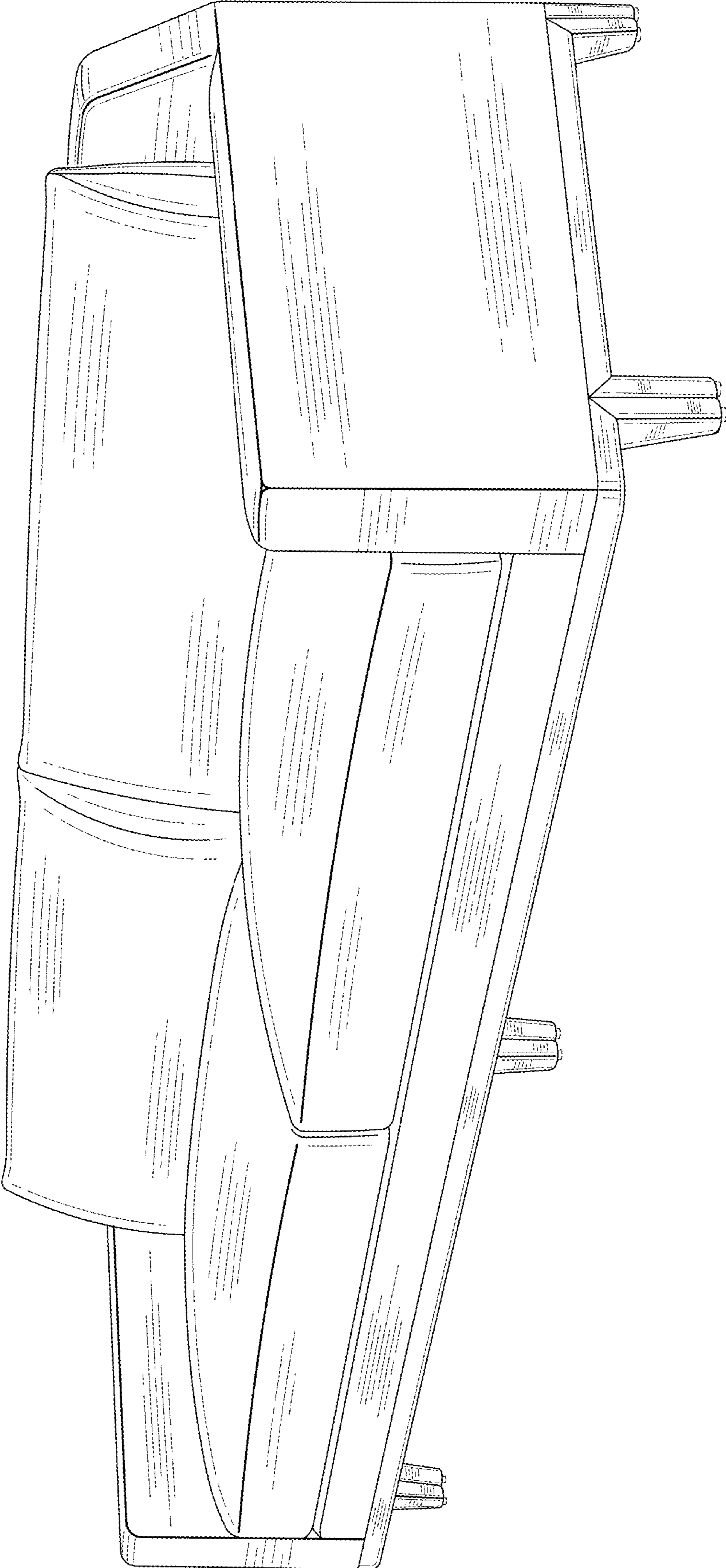


FIG. 2

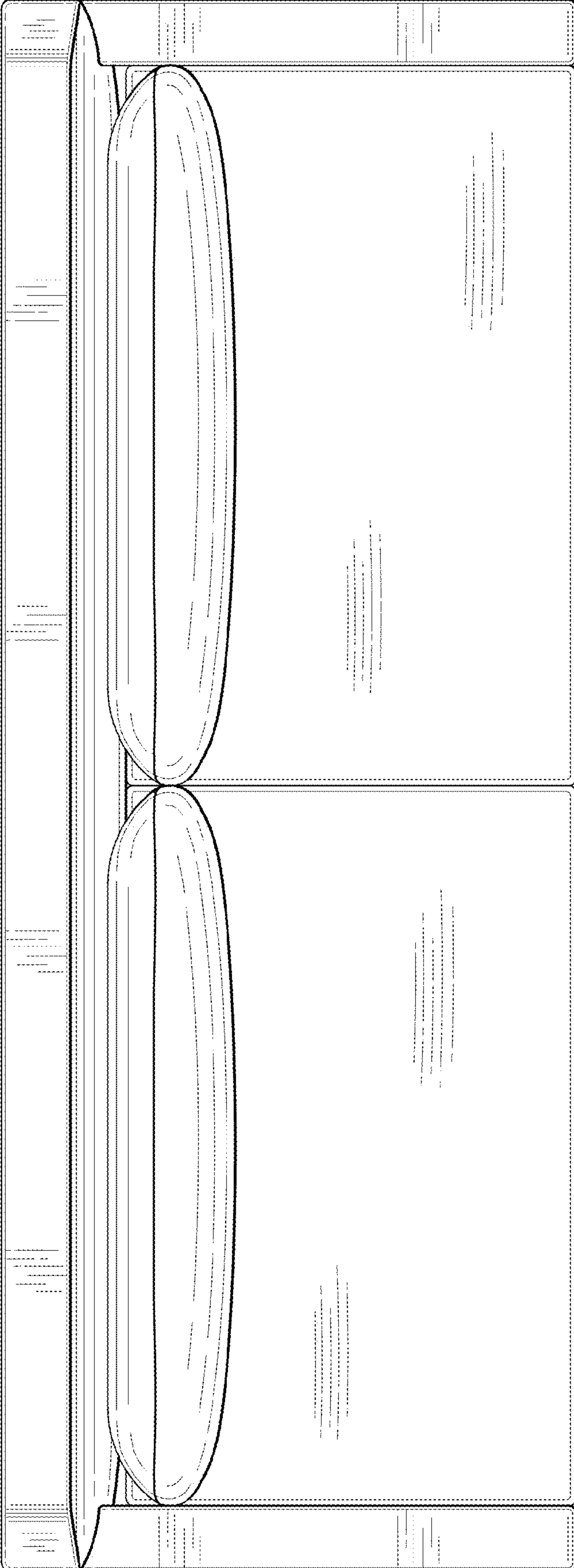


FIG. 3

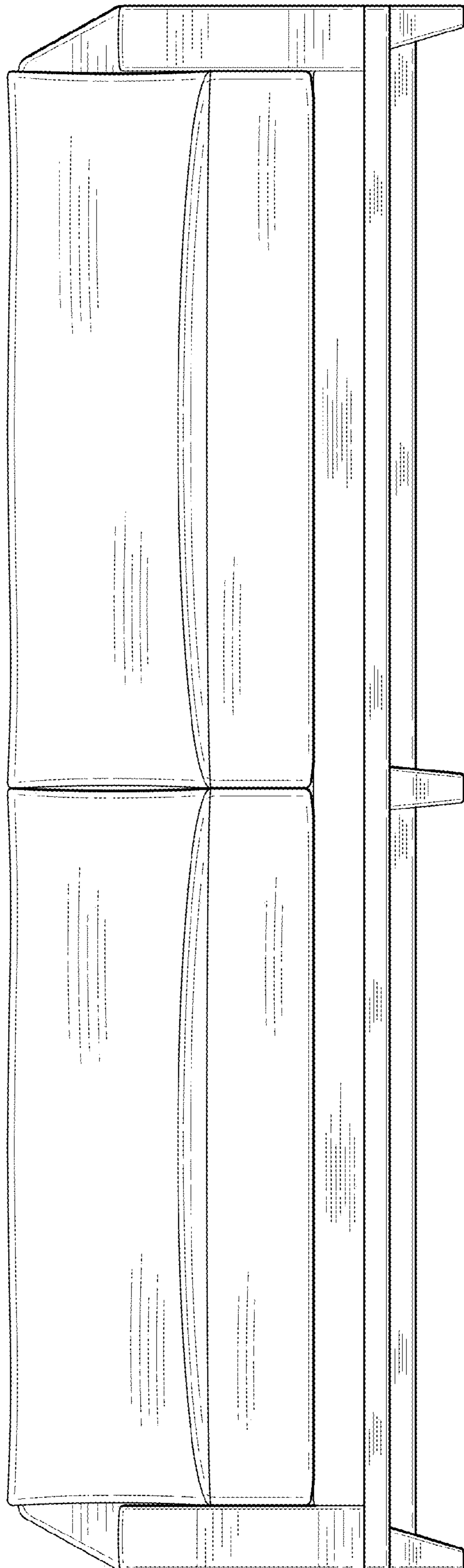


FIG. 4

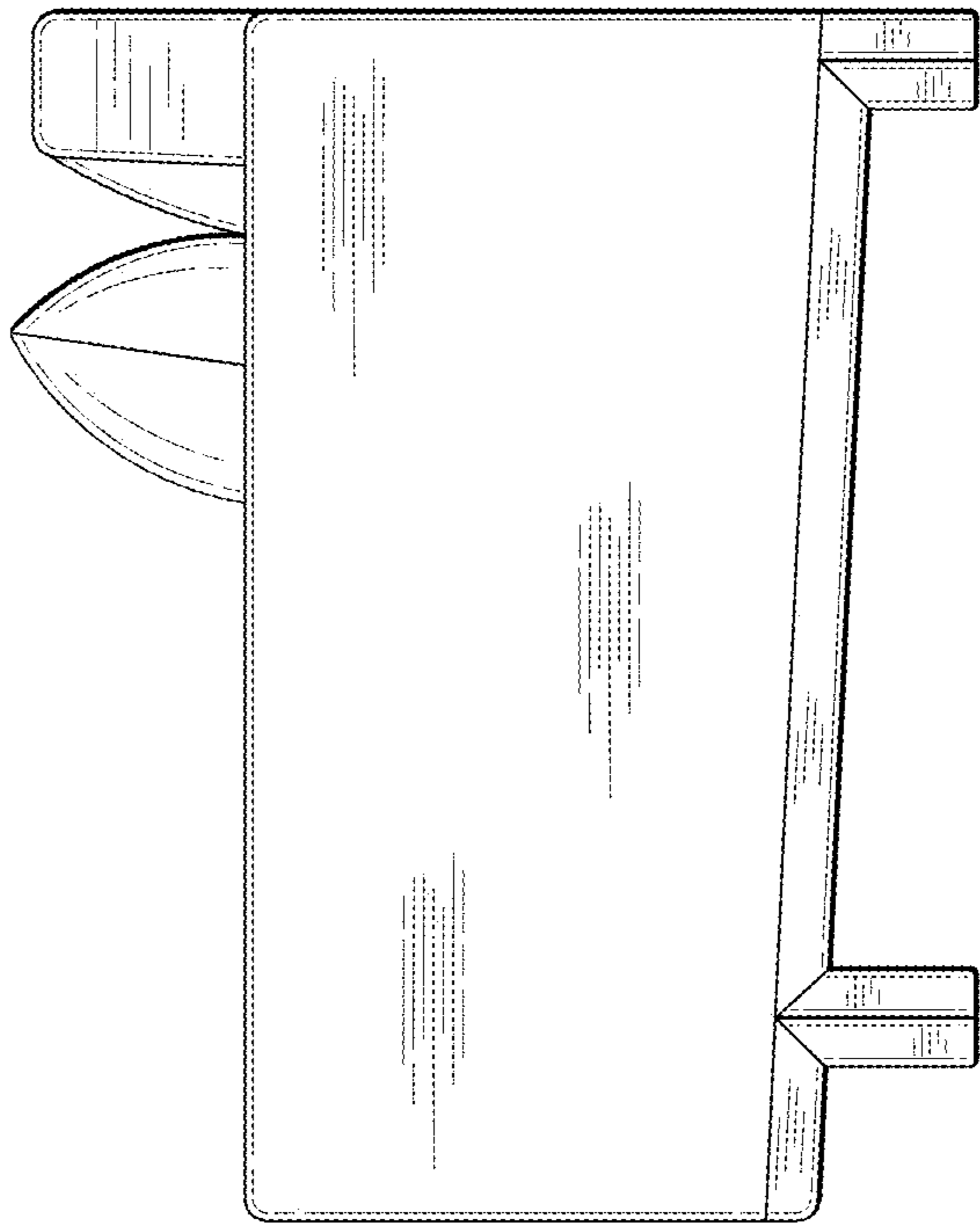


FIG. 5

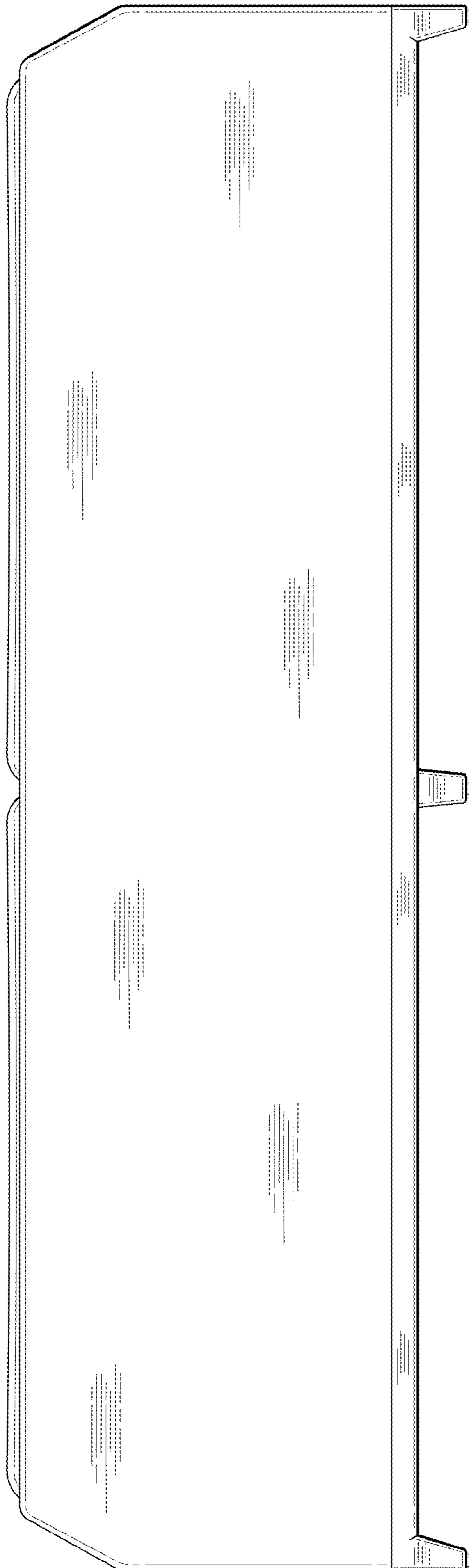


FIG. 6

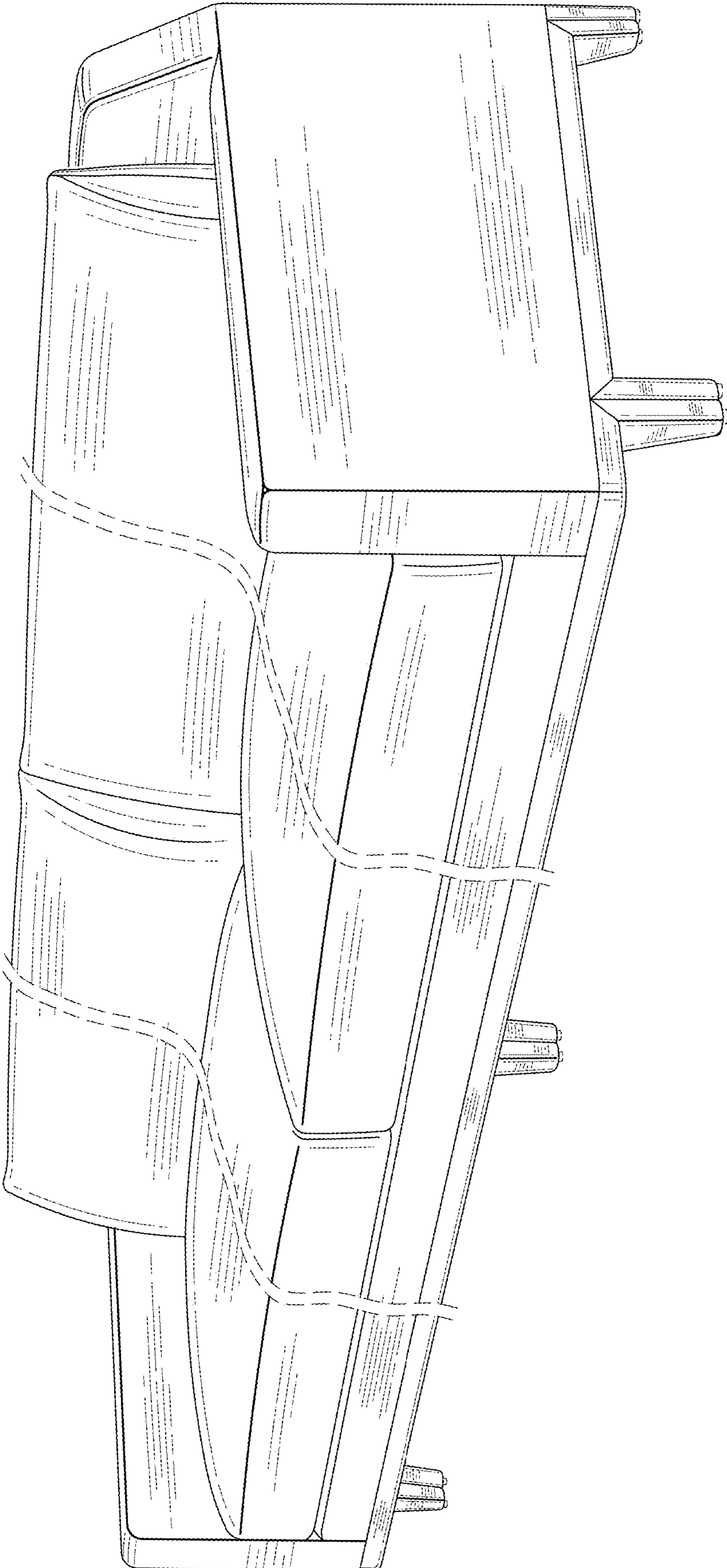


FIG. 7

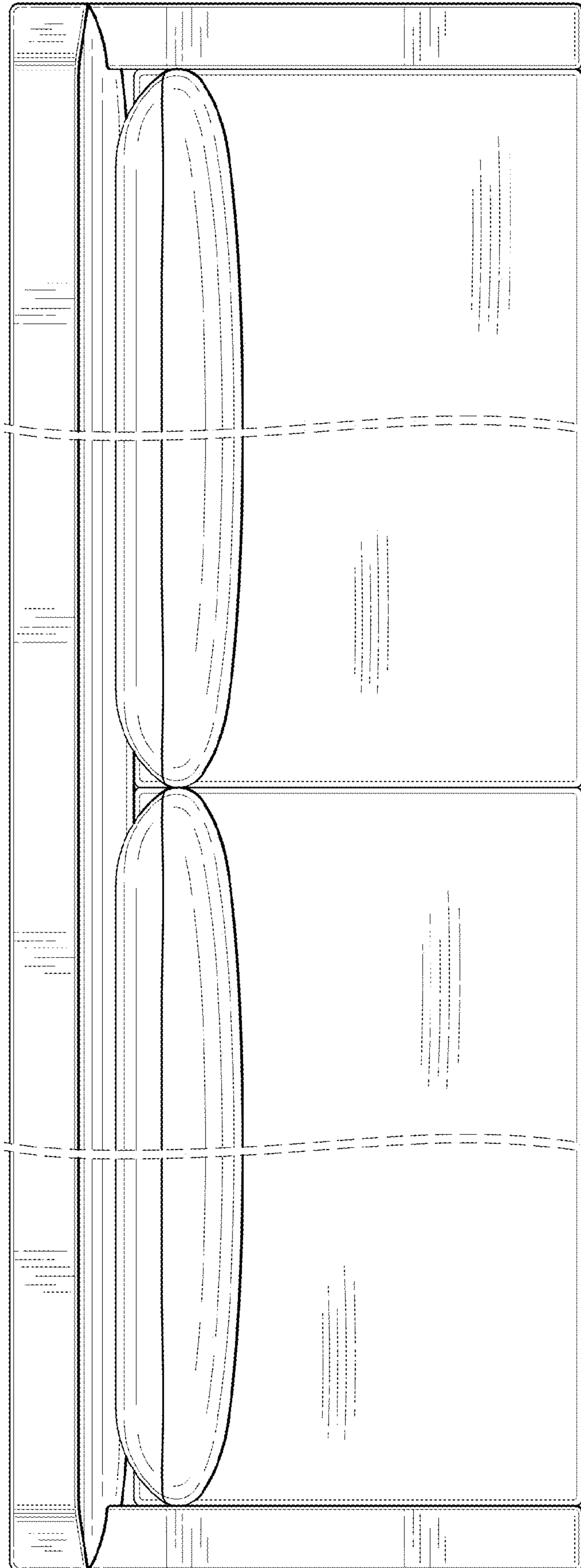


FIG. 8

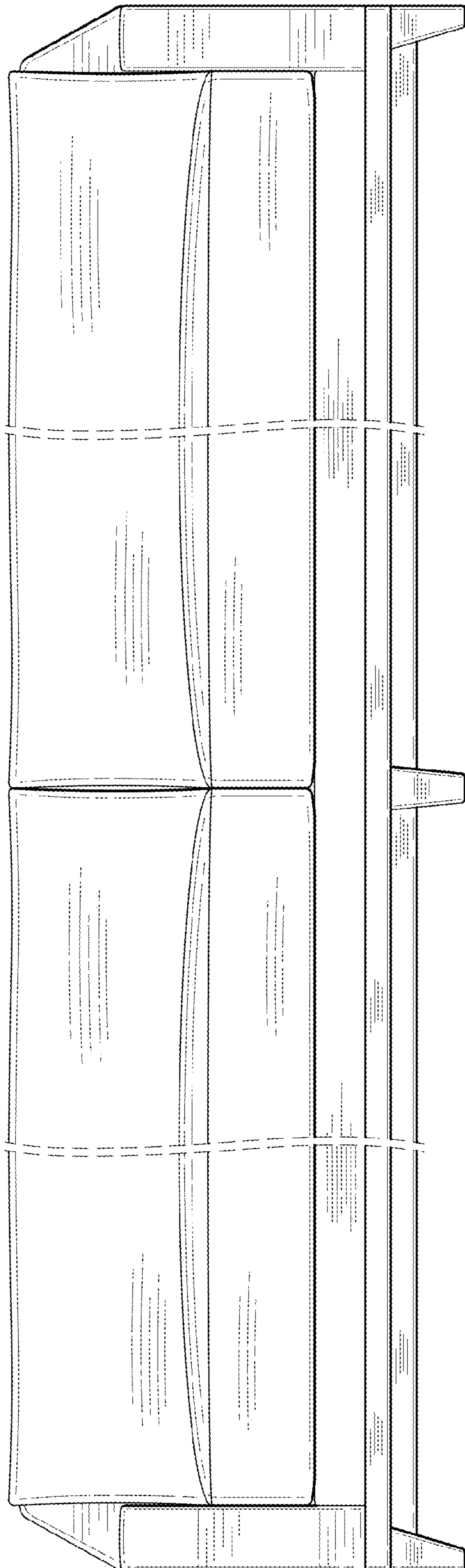


FIG. 9

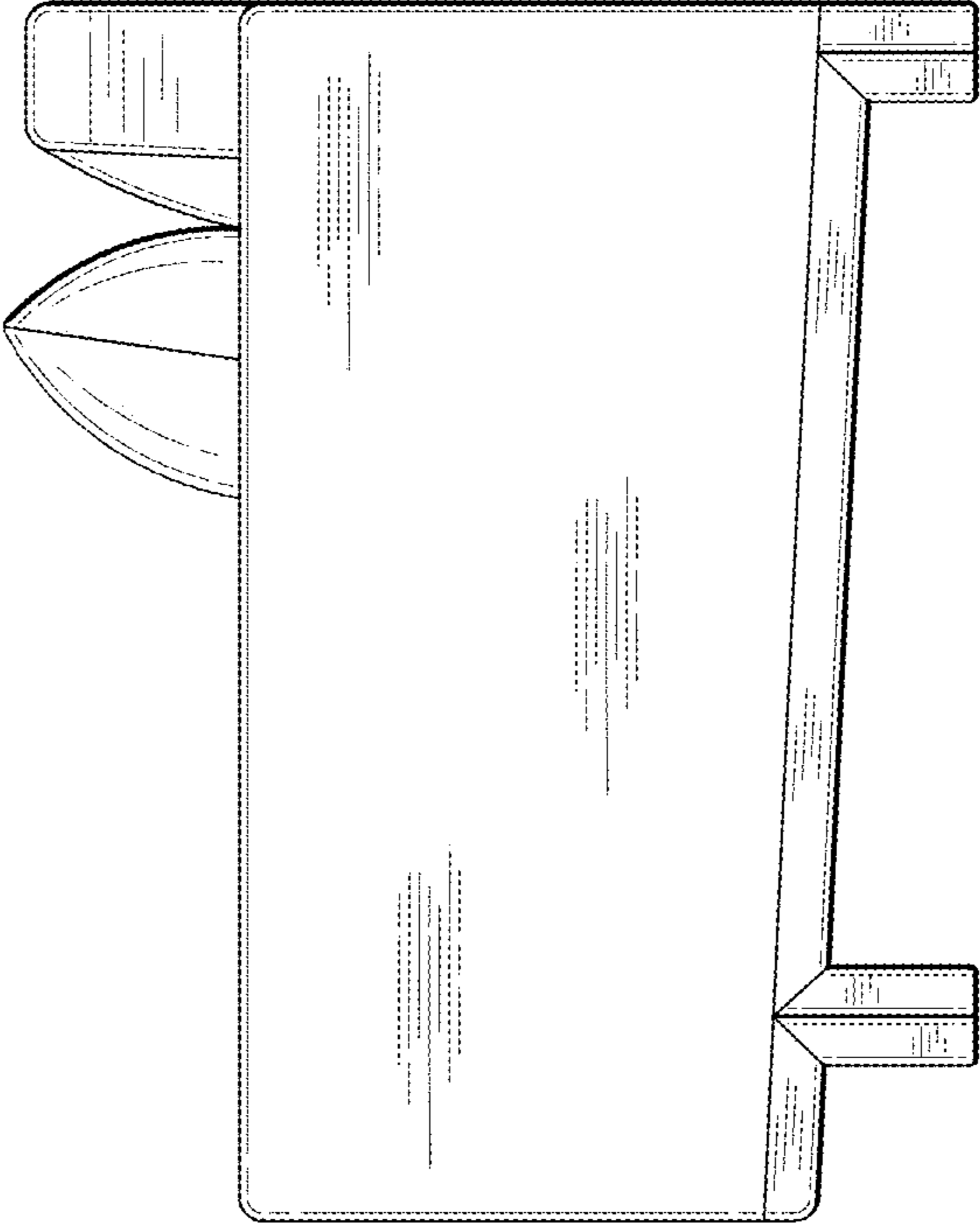


FIG. 10

