



US00D957154S

(12) **United States Design Patent**
Yuglich

(10) **Patent No.:** **US D957,154 S**

(45) **Date of Patent:** **** Jul. 12, 2022**

(54) **LOVE SEAT**

(71) Applicant: **Maximillian Yuglich**, Houston, TX
(US)

(72) Inventor: **Maximillian Yuglich**, Houston, TX
(US)

(**) Term: **15 Years**

(21) Appl. No.: **29/734,029**

(22) Filed: **May 8, 2020**

(51) **LOC (13) Cl.** **06-01**

(52) **U.S. Cl.**
USPC **D6/380**

(58) **Field of Classification Search**
USPC D6/334, 356, 361, 366, 367, 374, 375,
D6/378, 380, 381, 716, 716.1, 716.4
CPC A47C 3/0257; A47C 3/16; A47C 3/18;
A47C 3/20; A47C 3/26; A47C 1/02;
A47C 1/03255; A47C 7/18; A47C 7/24;
A47C 7/29; A47C 7/36; A47C 7/38;
A47C 7/40; A47C 7/46; A47C 7/54;
A47C 7/282; A47C 11/00

See application file for complete search history.

(56) **References Cited**

U.S. PATENT DOCUMENTS

2,651,355	A *	9/1953	Lueas	A47C 3/00 297/446.1
D455,281	S *	4/2002	Andersen	D6/335
D507,426	S *	7/2005	Reza-Hadden	D6/381
D540,562	S *	4/2007	Muller	D6/381
D798,627	S *	10/2017	Rockwell	D6/381
D854,850	S *	7/2019	Lopez	D6/381

OTHER PUBLICATIONS

Lowes .com. https://www.lowes.com/pd/Jennifer-Taylor-Home-Jennifer-Taylor-Home-Jared-Roll-Arm-Tufted-Bench-Settee-Silver-Grey-Yarn-Dyed/5001955051?cm_mmc=shp_-c_-prd_-dcr_-ggl_-PLA_DCR_266_Home-Accents-and-Furniture_-5001955051_-0_-0_-0&gclid=CjwKCAiAnO2MBhApEiwA8q0HYWdPPqz9VeVjkc7N0addFDJrEeEcXQELtHwSsbiE7whtCuWEVCfOhoC09QQAvD_BwE&gclsrc=aw.ds. "Jennifer Taylor Home, Jared Roll Arm Tufted Bench Settee". Date Unknown: Viewed Nov. 2021 (Year: 2021).*

* cited by examiner

Primary Examiner — R. Johnson

(74) *Attorney, Agent, or Firm* — Bushman Werner, P.C.

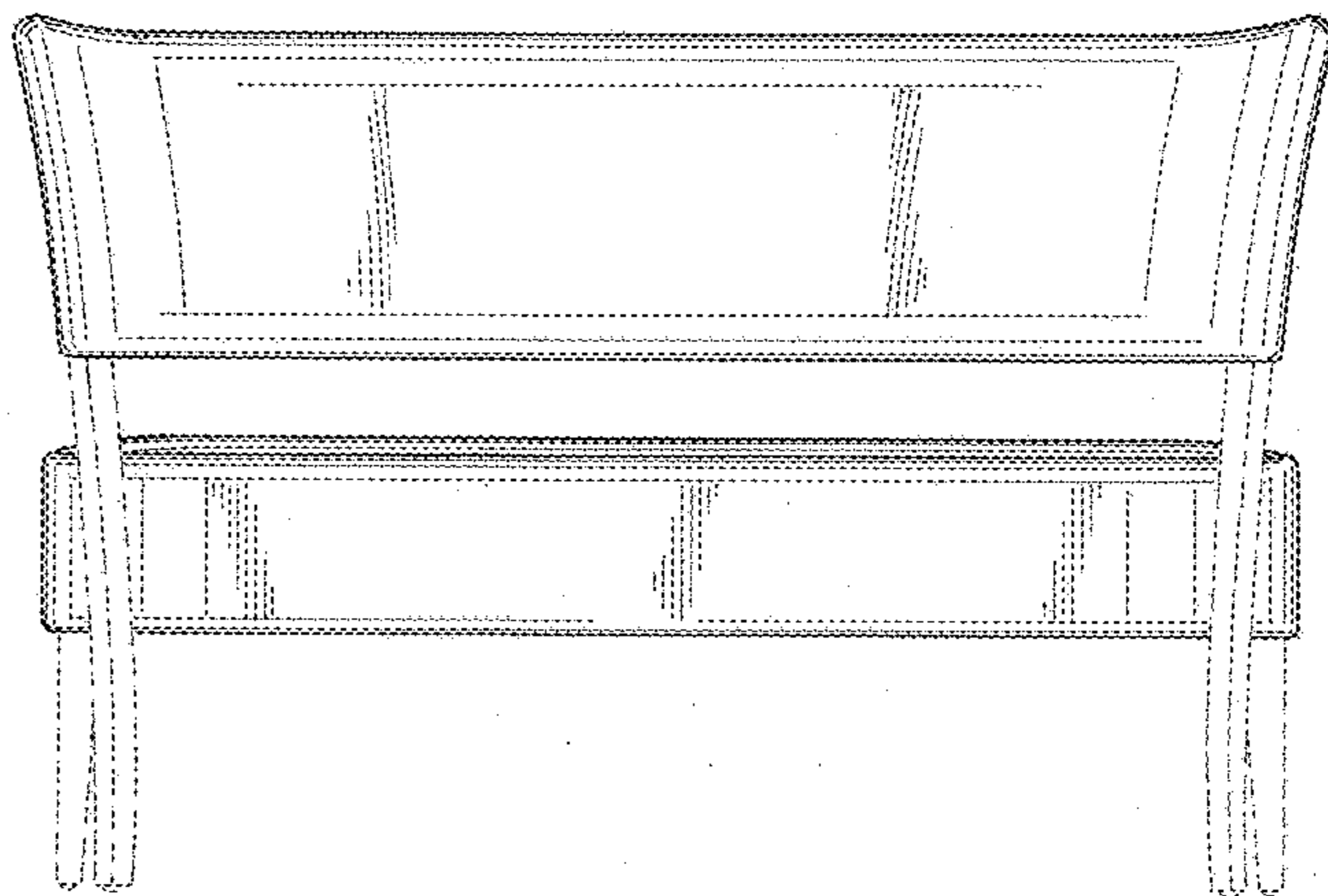
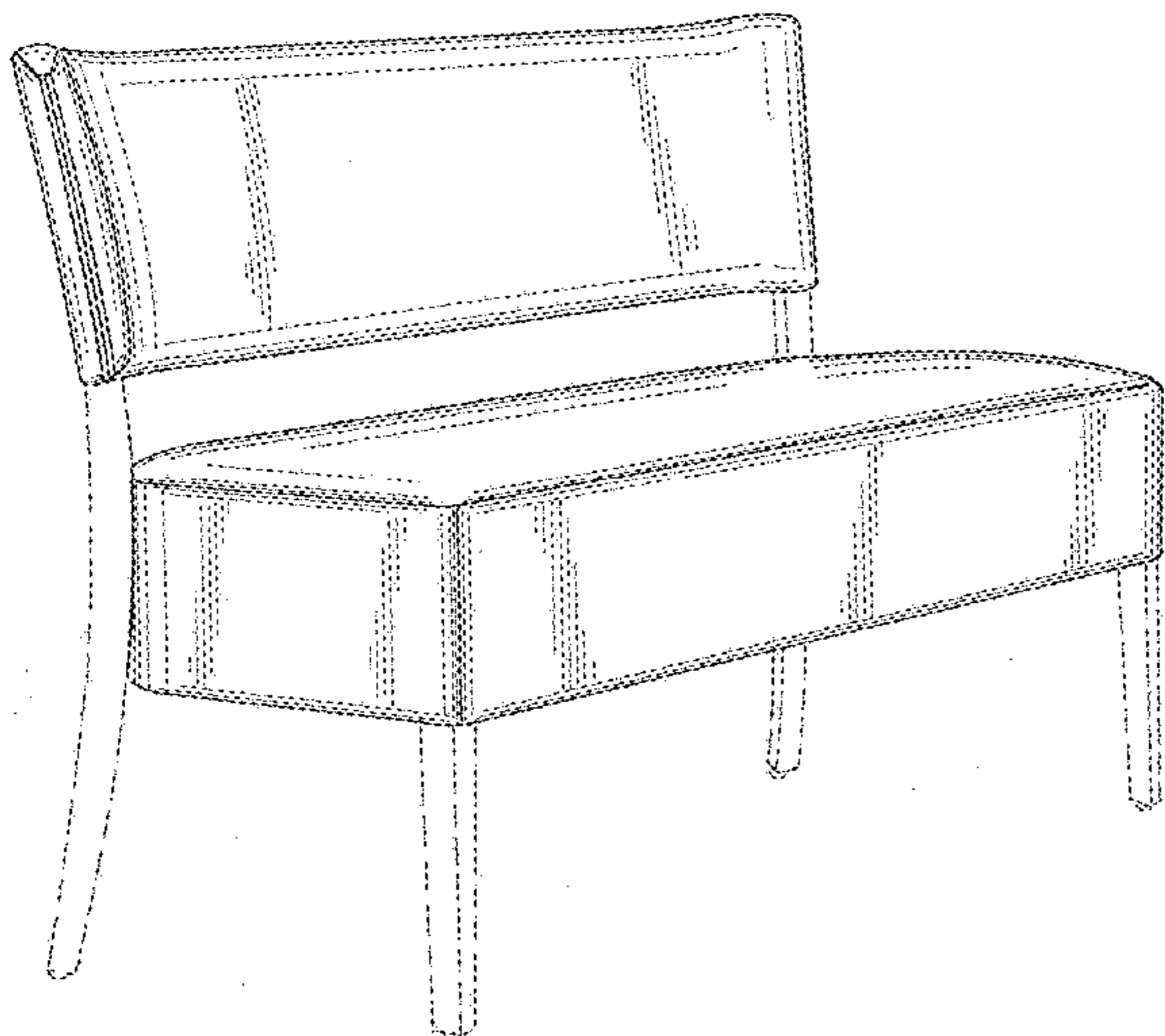
(57) **CLAIM**

The ornamental design for a love seat, as shown and described.

DESCRIPTION

FIG. 1 is a perspective view of a love seat showing my new design;
FIG. 2 is a front elevational view thereof;
FIG. 3 is a rear elevational view thereof;
FIG. 4 is a side elevational view thereof, the opposite side being a mirror image thereof;
FIG. 5 is a top plan view thereof; and,
FIG. 6 is a bottom plan view thereof.
The broken lines shown in the drawings are included for the purpose of illustrating portions of the article that form no part of the claimed design.

1 Claim, 6 Drawing Sheets



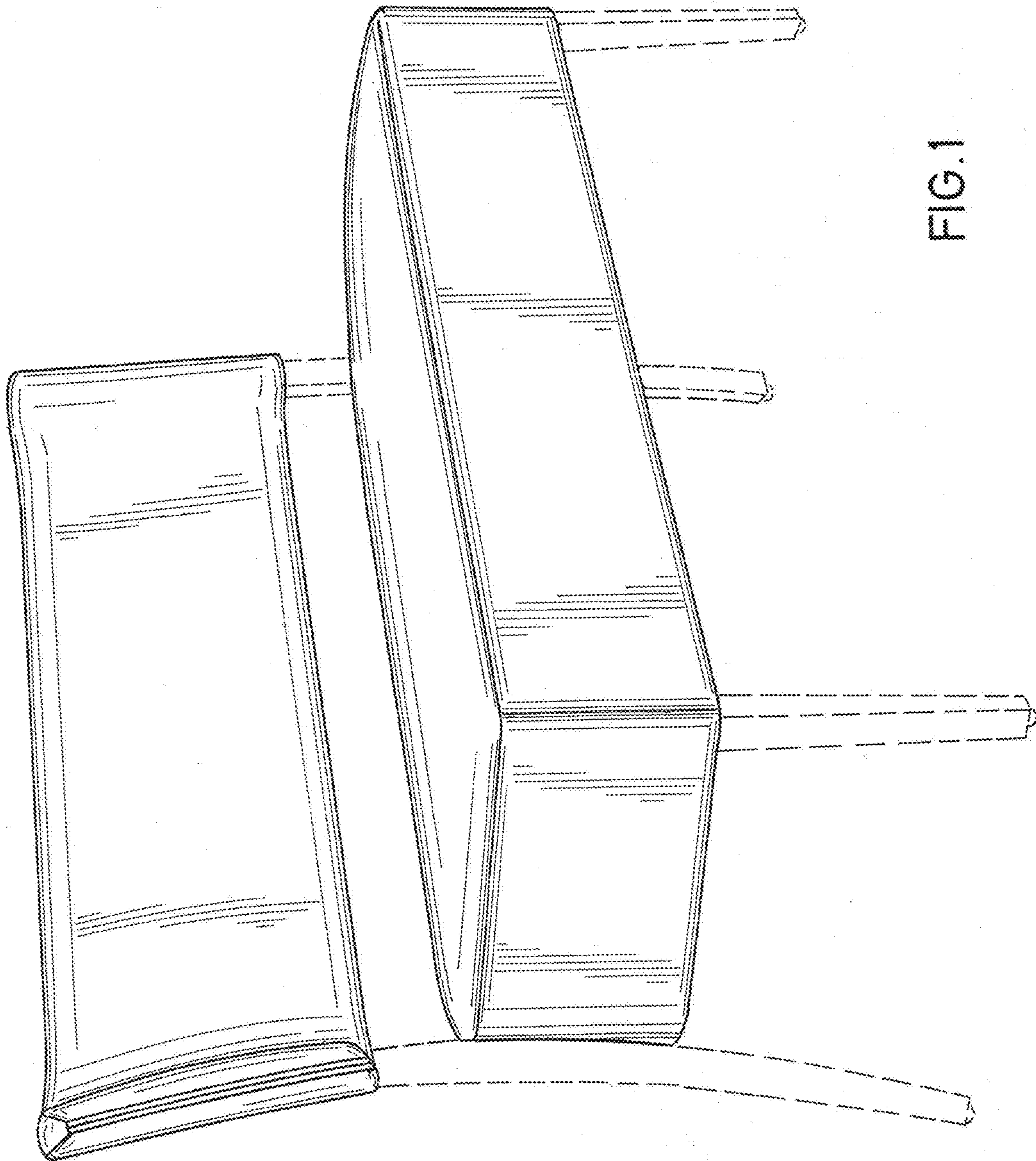


FIG.1

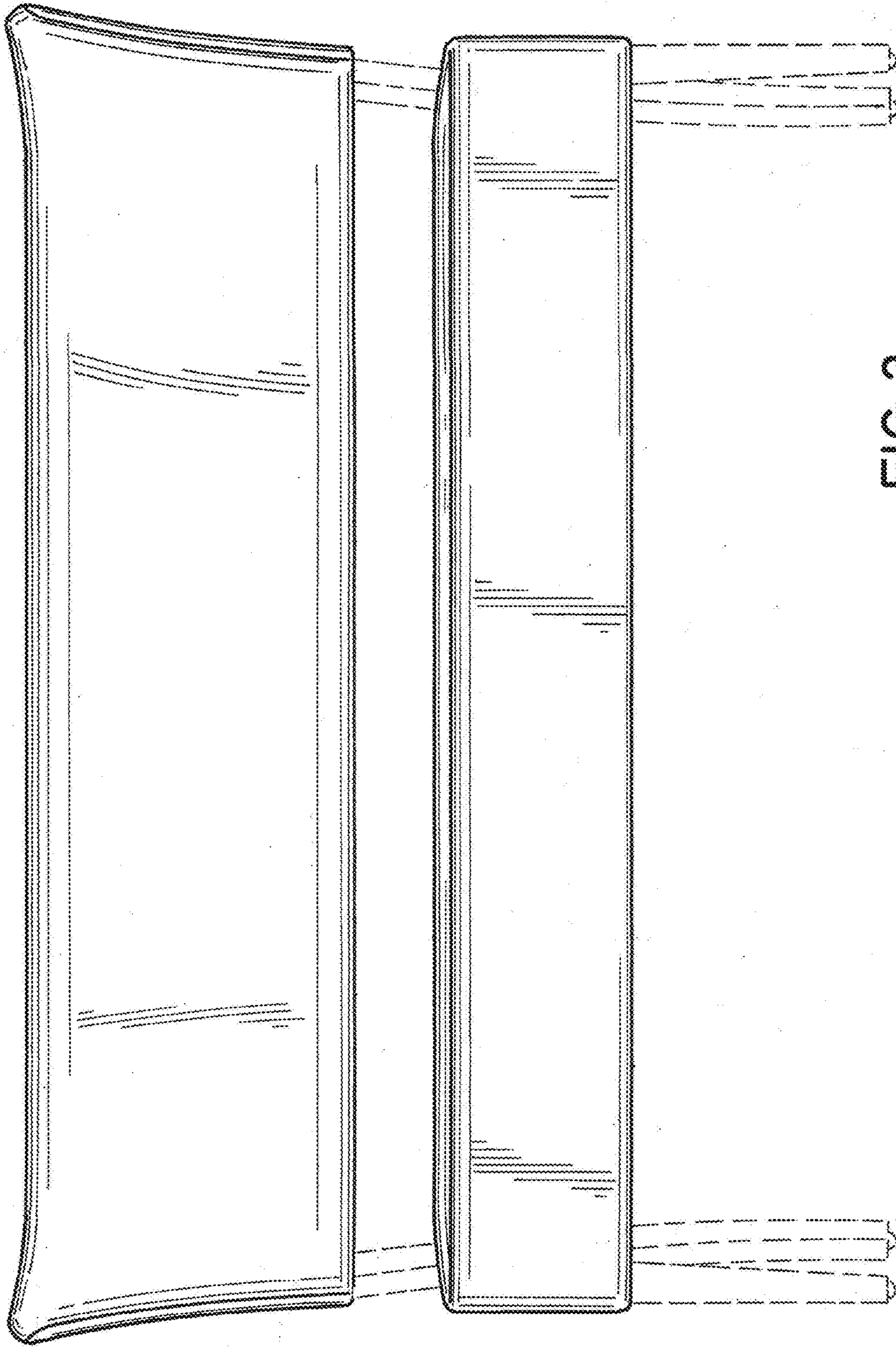


FIG. 2

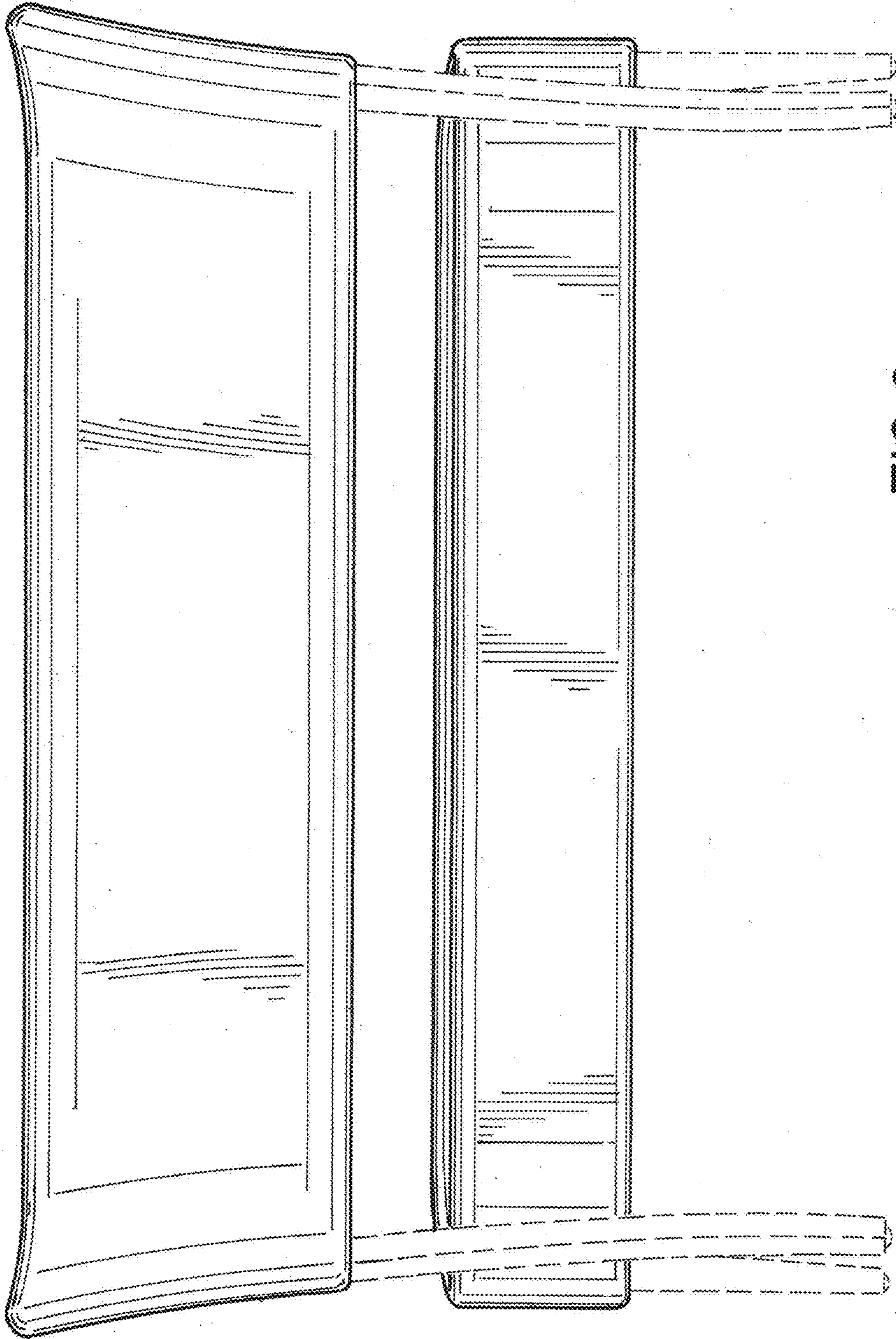


FIG. 3

FIG. 4

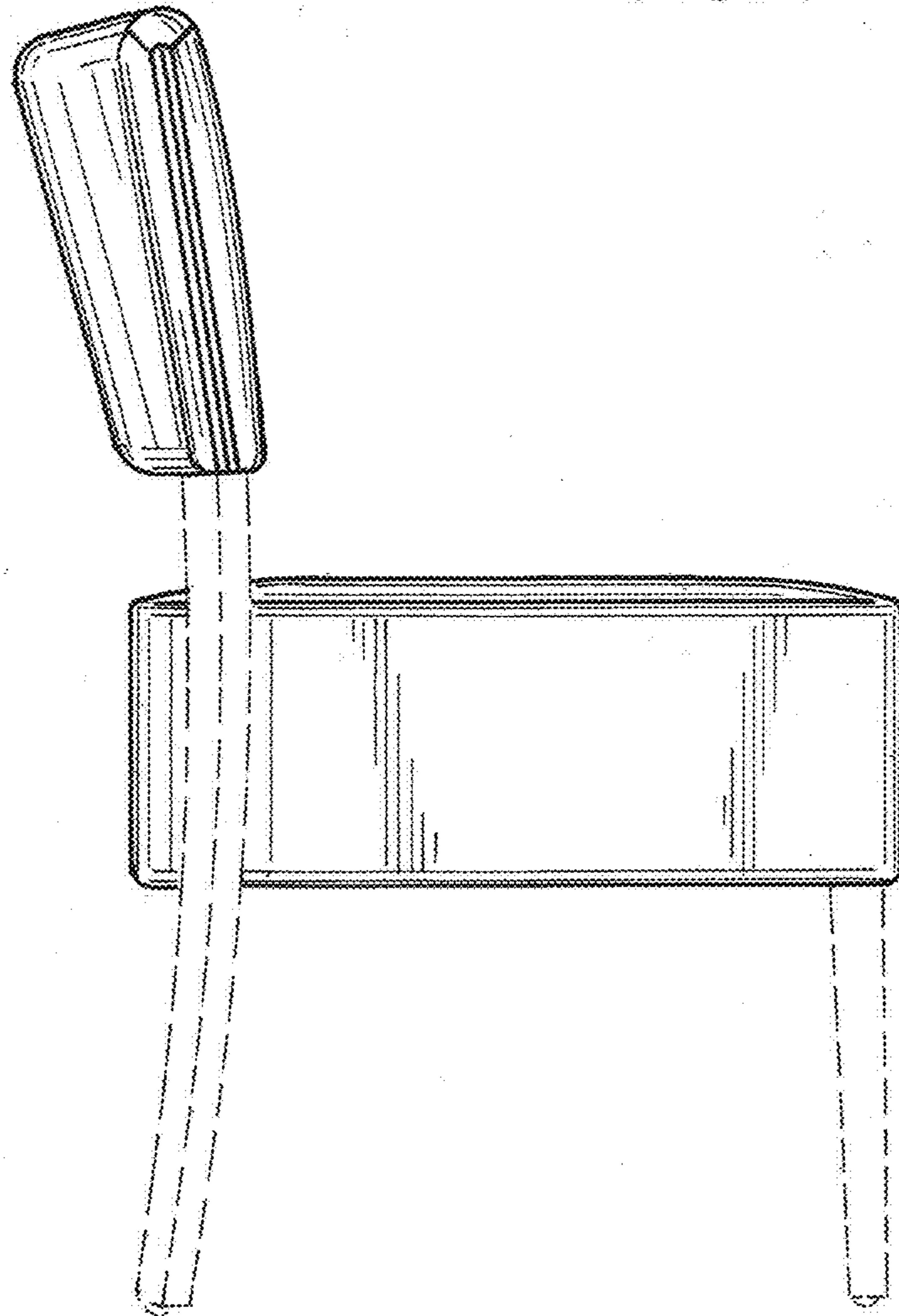


FIG. 5

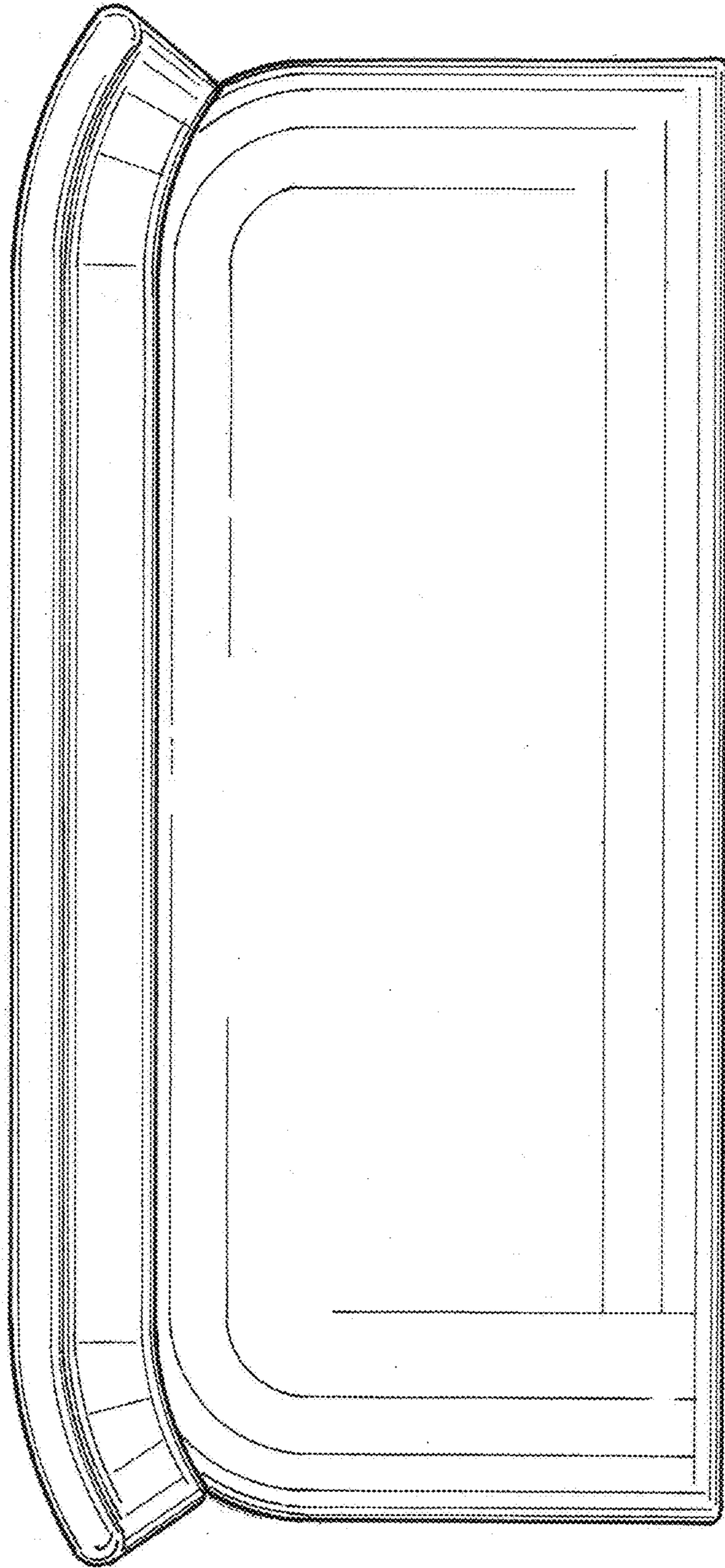


FIG. 6

