



US00D957153S

(12) **United States Design Patent**
Yuglich

(10) **Patent No.:** **US D957,153 S**

(45) **Date of Patent:** **** Jul. 12, 2022**

(54) **LOVE SEAT**

OTHER PUBLICATIONS

(71) Applicant: **Maximillian Yuglich**, Houston, TX
(US)

Lowes.com. https://www.lowes.com/pd/Jennifer-Taylor-Home-Jennifer-Taylor-Home-Jared-Roll-Arm-Tufted-Bench-Settee-Silver-Grey-Yarn-Dyed/5001955051?cm_mmc=shp_-c-_prd-_dcr_-ggl_-PLA_DCR_266_Home-Accents-and-Furniture_-5001955051_-0_-0_-0&gclid=CjwKCAiAnO2MBhApEiwA8q0HYWdPPqz9VeVjkc7N0addFDJrEeEcXQELtHwSsbiE7whtCuWEVCfOhoC09QQAvD_BwE&gclsrc=aw.ds. "Jennifer Taylor Home, Jared Roll Arm Tufted Bench Settee". Date Unknown: Viewed Nov. 2021 (Year: 2021).*

(72) Inventor: **Maximillian Yuglich**, Houston, TX
(US)

(**) Term: **15 Years**

(21) Appl. No.: **29/734,027**

* cited by examiner

(22) Filed: **May 8, 2020**

(51) **LOC (13) Cl.** **06-01**

Primary Examiner — R. Johnson

(52) **U.S. Cl.**

(74) *Attorney, Agent, or Firm* — Bushman Werner, P.C.

USPC **D6/380**

(58) **Field of Classification Search**

(57) **CLAIM**

USPC D6/334, 356, 361, 366, 367, 374, 375,
D6/378, 380, 381, 716, 716.1, 716.4
CPC A47C 3/0257; A47C 3/16; A47C 3/18;
A47C 3/20; A47C 3/26; A47C 1/02;
A47C 1/03255; A47C 7/18; A47C 7/24;
A47C 7/29; A47C 7/36; A47C 7/38;
A47C 7/40; A47C 7/46; A47C 7/54;
A47C 7/282; A47C 11/00

The ornamental design for a love seat, as shown and described.

See application file for complete search history.

DESCRIPTION

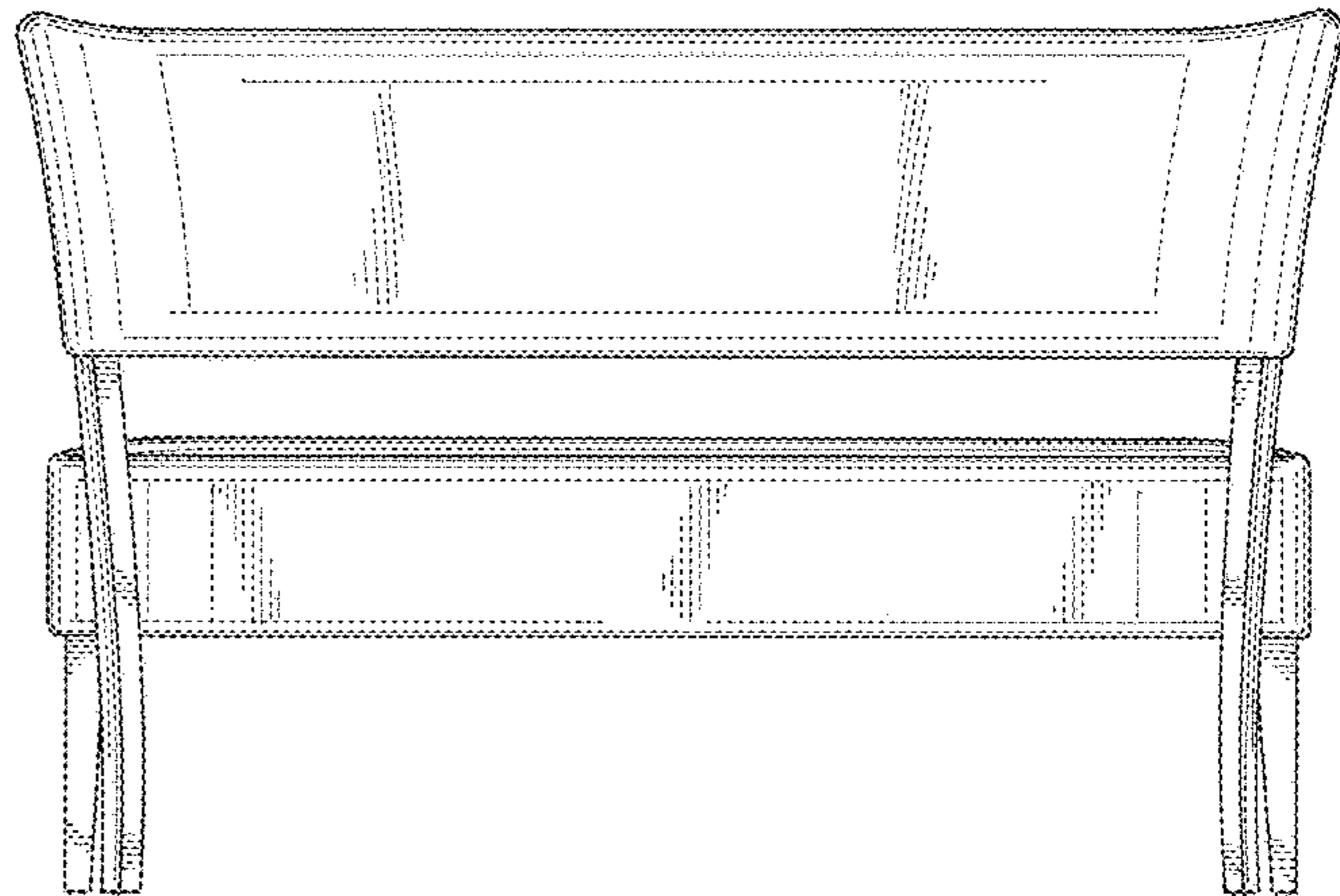
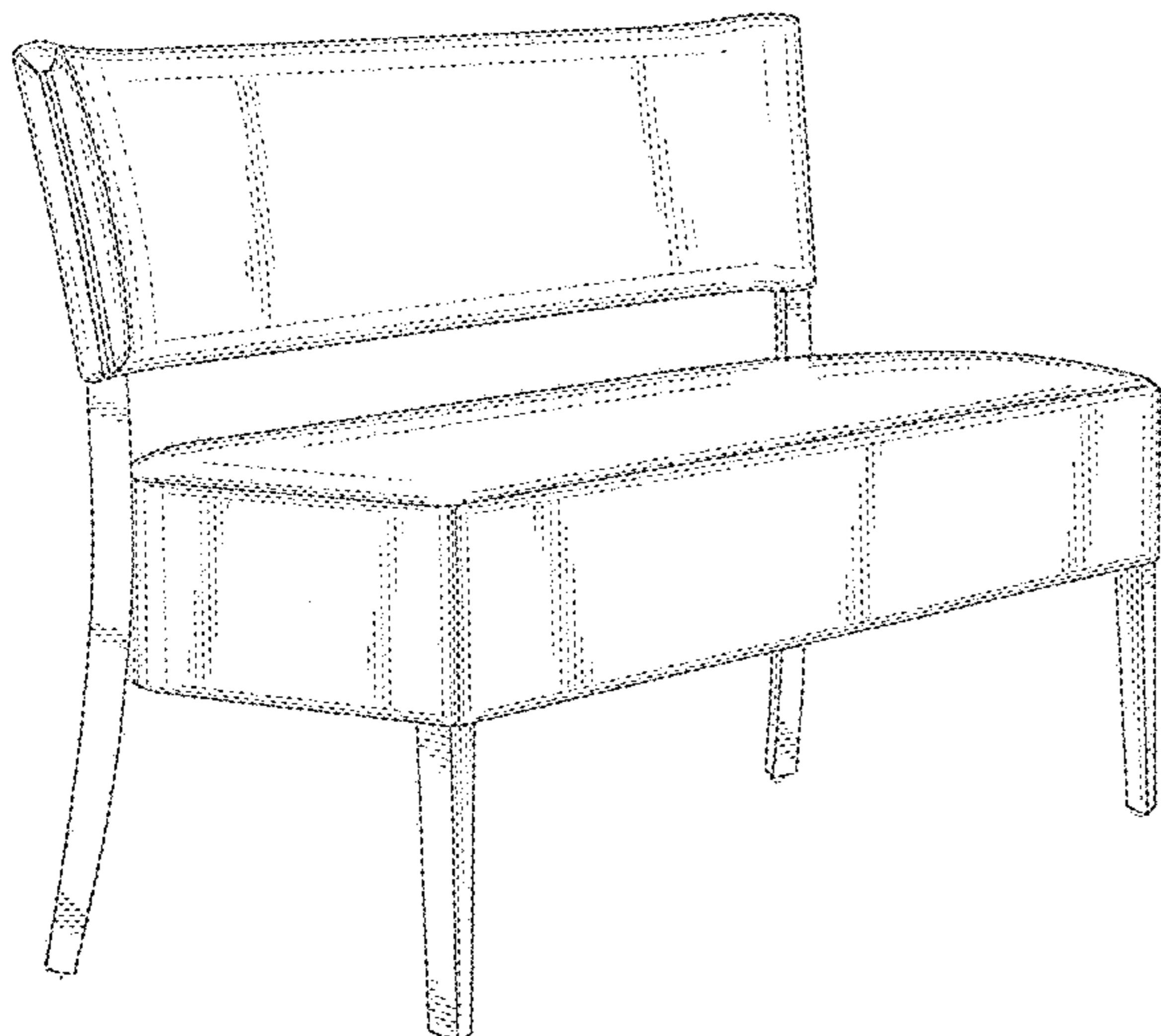
(56) **References Cited**

FIG. 1 is a perspective view of a love seat showing my new design;
FIG. 2 is a front elevational view thereof;
FIG. 3 is a rear elevational view thereof;
FIG. 4 is a side elevational view thereof, the opposite side being a mirror image thereof;
FIG. 5 is a top plan view thereof; and,
FIG. 6 is a bottom plan view thereof.
The broken lines shown in the drawings are included for the purpose of illustrating portions of the article that form no part of the claimed design.

U.S. PATENT DOCUMENTS

2,651,355	A *	9/1953	Lueas	A47C 3/00 297/446.1
D455,281	S *	4/2002	Andersen	D6/335
D507,426	S *	7/2005	Reza-Hadden	D6/381
D540,562	S *	4/2007	Muller	D6/381
D798,627	S *	10/2017	Rockwell	D6/381
D854,850	S *	7/2019	Lopez	D6/381

1 Claim, 6 Drawing Sheets



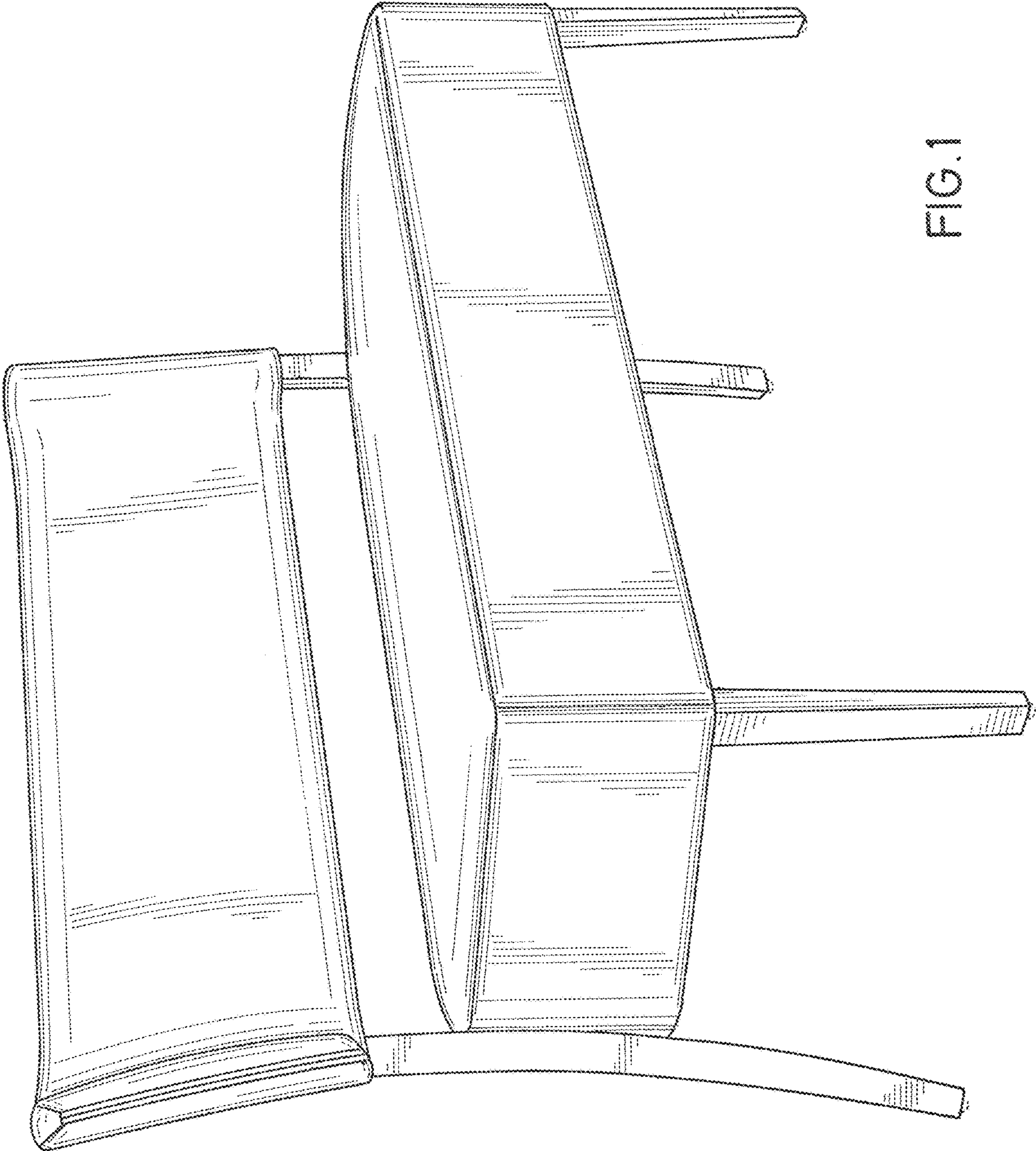


FIG.1



FIG. 2



FIG. 3

FIG. 4

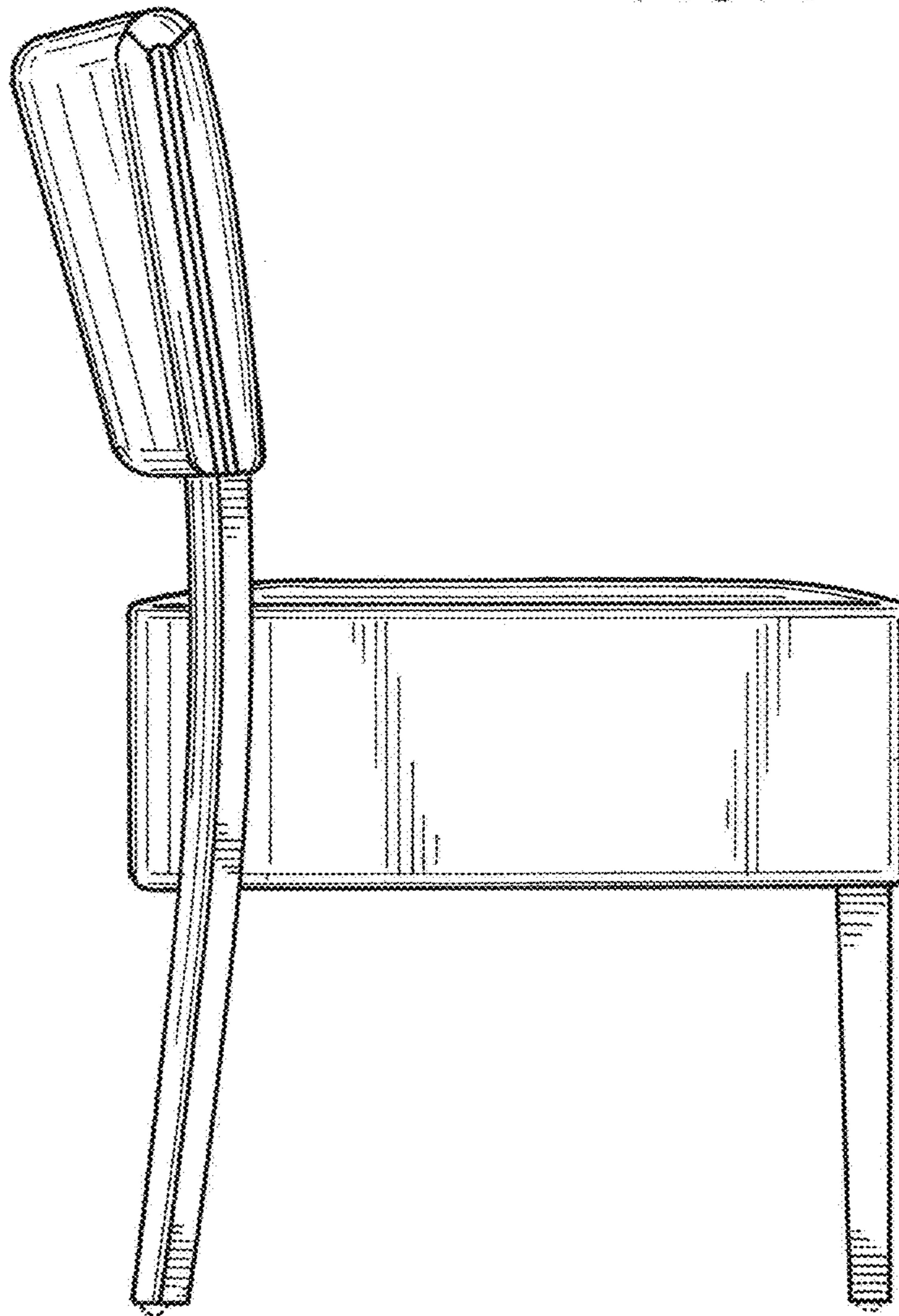


FIG. 5

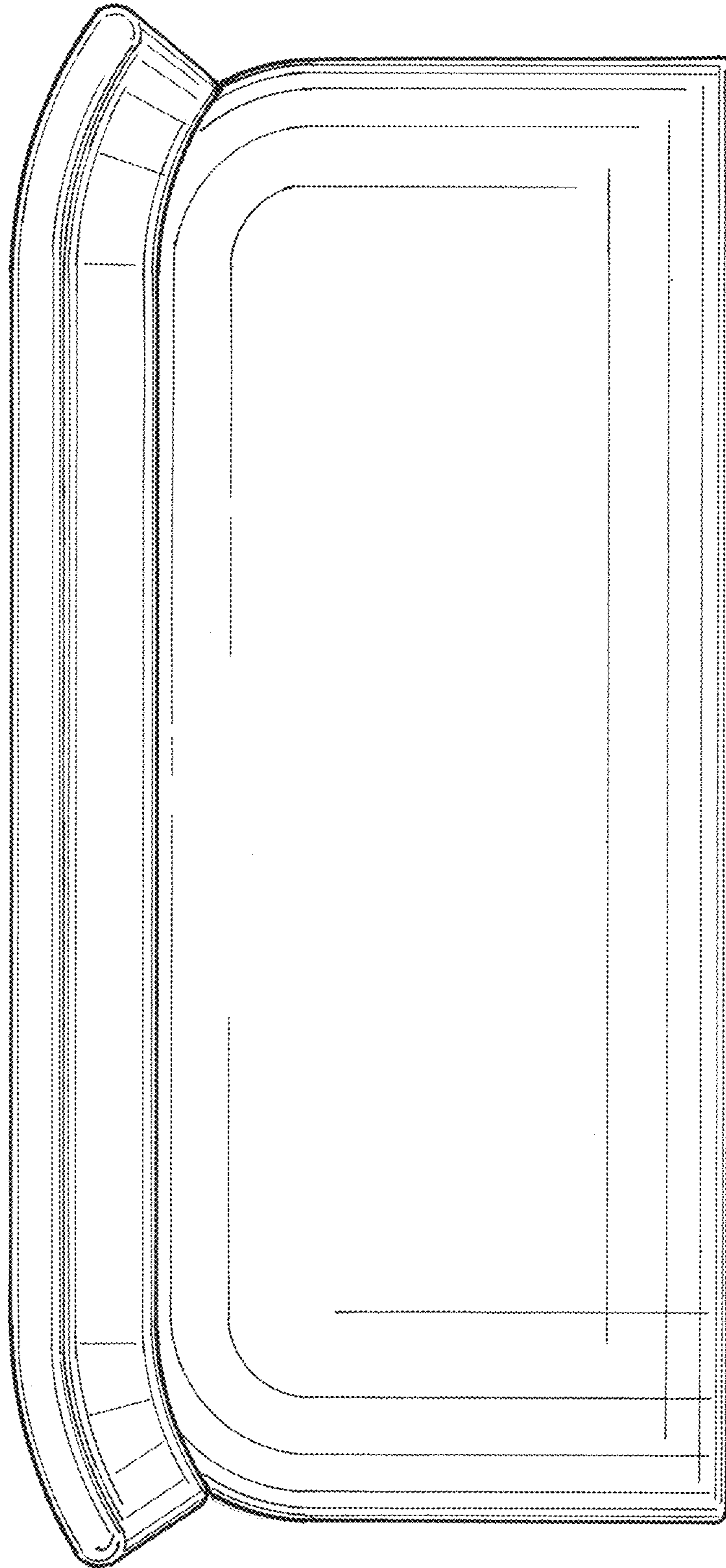


FIG. 6

