



US00D957151S

(12) **United States Design Patent**  
**Cohen**

(10) **Patent No.:** **US D957,151 S**  
(45) **Date of Patent:** **\*\* Jul. 12, 2022**

(54) **ANGLED SHOWER FOOT REST**

(71) Applicant: **COHEN CONCEPTS, INC.**, Palm Bay, FL (US)  
(72) Inventor: **Howard Cohen**, Indialantic, FL (US)  
(73) Assignee: **Cohen Concepts, Inc.**, Palm Bay, FL (US)

(\*\*) Term: **15 Years**

(21) Appl. No.: **29/725,202**

(22) Filed: **Feb. 23, 2020**

(51) **LOC (13) Cl.** ..... **06-01**

(52) **U.S. Cl.**  
USPC ..... **D6/349**

(58) **Field of Classification Search**  
USPC ..... D6/334–338, 340–343, 349–353, 355,  
D6/364–365, 691–691.9, 676.1–676.2,  
D6/692–692.6, 716–716.1  
CPC ..... A47B 7/00–02; A47C 11/00; A47C 12/00;  
A47C 13/00; A47C 16/00; A47C  
16/02–04; A47C 9/00–105; A47K 17/02;  
A47K 17/028  
See application file for complete search history.

(56) **References Cited**

**U.S. PATENT DOCUMENTS**

D304,398	S	*	11/1989	Goetz	.....	D6/676.1
D395,488	S	*	6/1998	Joss	.....	D23/304
D701,714	S	*	4/2014	Gelman	.....	D6/676.1
D706,045	S	*	6/2014	Cohen	.....	D6/349
D713,181	S	*	9/2014	Cohen	.....	D6/676.1
D727,043	S	*	4/2015	Cohen	.....	D6/349
D764,193	S	*	8/2016	Gelman	.....	D6/349
D773,198	S	*	12/2016	Deen	.....	D6/364
D773,854	S	*	12/2016	Preston	.....	D6/562
D803,464	S	*	11/2017	Stathis	.....	D26/104
D803,590	S	*	11/2017	Lewin	.....	D6/349
D885,093	S	*	5/2020	Gelman	.....	D6/676.1
2008/0224004	A1	*	9/2008	Gallien	.....	A47B 96/066 248/220.1

**OTHER PUBLICATIONS**

13" Kai™ Angled Corner OptiAREA™ Teak Shaving & Washing Foot Rest. [online] Retrieved Mar. 22, 2021 from URL: <https://aquateak.com/furniture/13-kai-angled-corner-optiarea-teak-shaving-washing-foot-rest/>.  
EcoDecors Oasis-Shower-Bench, Natural. [online] Retrieved Mar. 24, 2021 from URL: <https://www.amazon.com/EcoDecors-Oasis-Shower-Bench-Natural/dp/B01GSO6FN2>.\*

\* cited by examiner

*Primary Examiner* — Vy N Koenig

(74) *Attorney, Agent, or Firm* — Stephen C. Thomas Lowndes

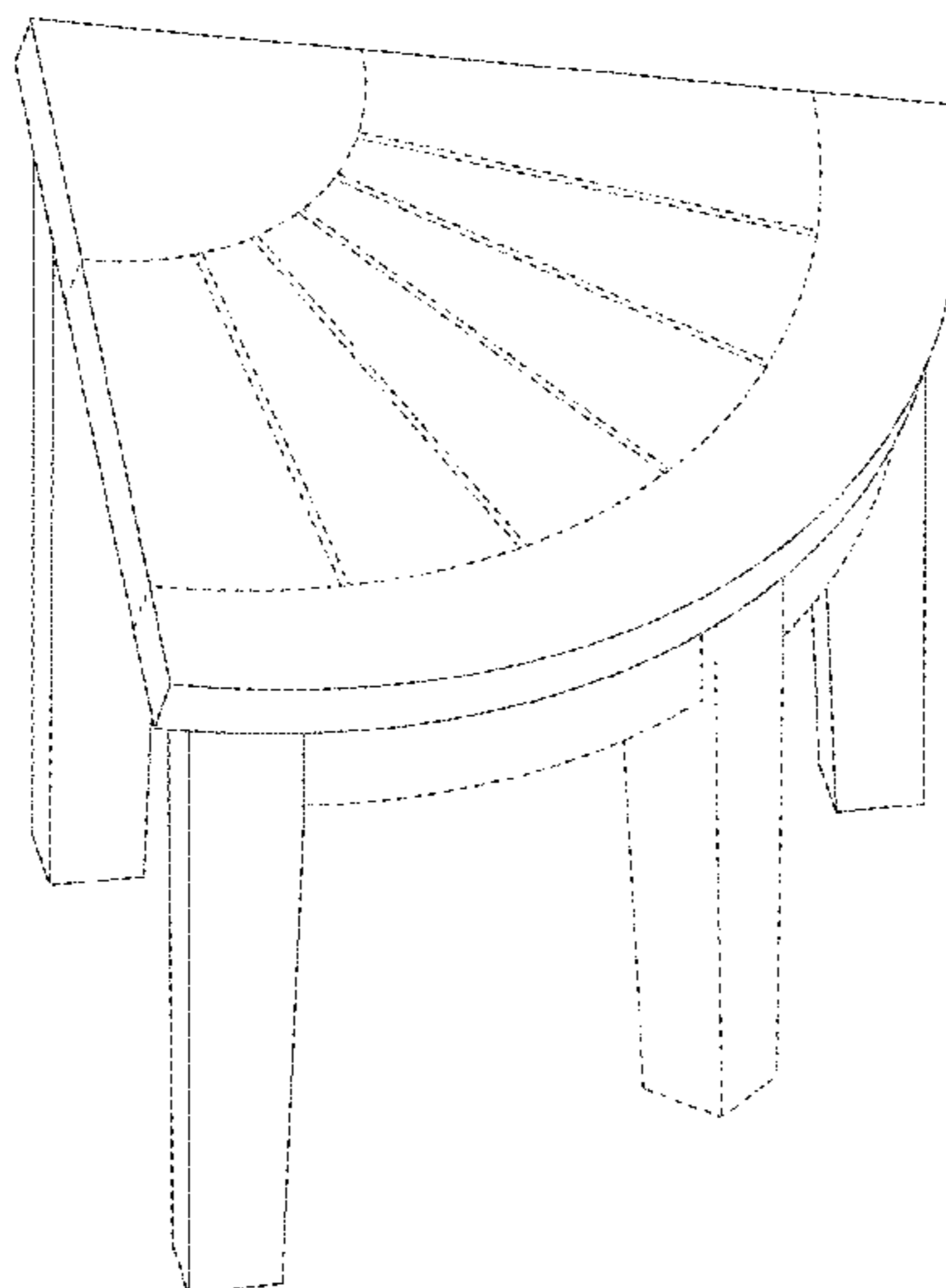
(57) **CLAIM**

The ornamental design for an angled shower foot rest, as shown and described.

**DESCRIPTION**

FIG. 1 depicts a perspective top view of the angled shower foot rest of the invention.  
FIG. 2 depicts a bottom perspective view of the angled shower foot rest of the invention.  
FIG. 3 depicts a front view of the angled shower foot rest of the invention.  
FIG. 4 depicts a left side view of the angled shower foot rest of the invention.  
FIG. 5 depicts a rear view of the angled shower foot rest of the invention.  
FIG. 6 depicts a top view of the angled shower foot rest of the invention; and,  
FIG. 7 depicts a bottom view of the angled shower foot rest of the invention.  
The broken lines depicted in the drawings depict features that form no part of the claimed design.

**1 Claim, 7 Drawing Sheets**



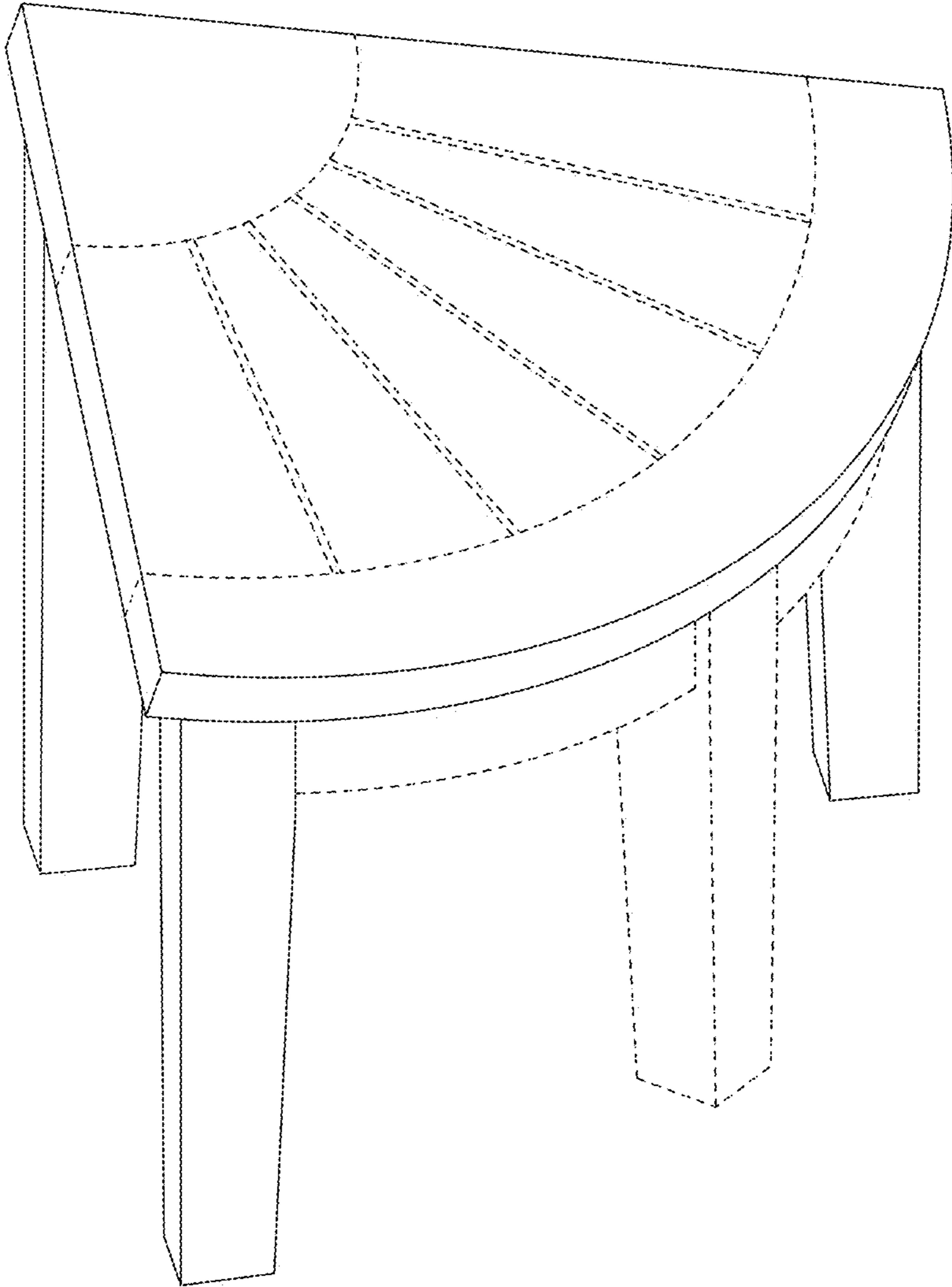


Fig. 1

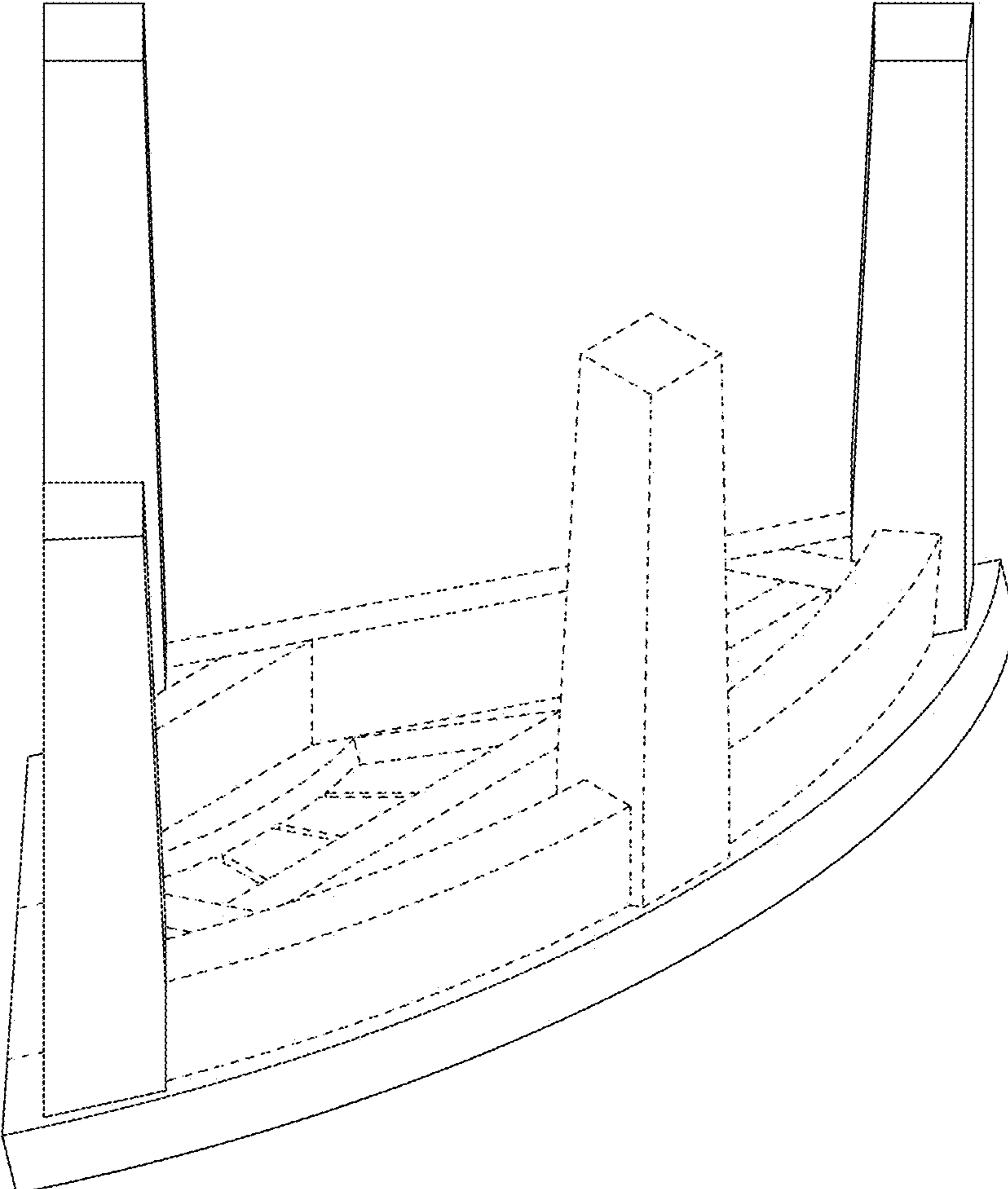


Fig. 2

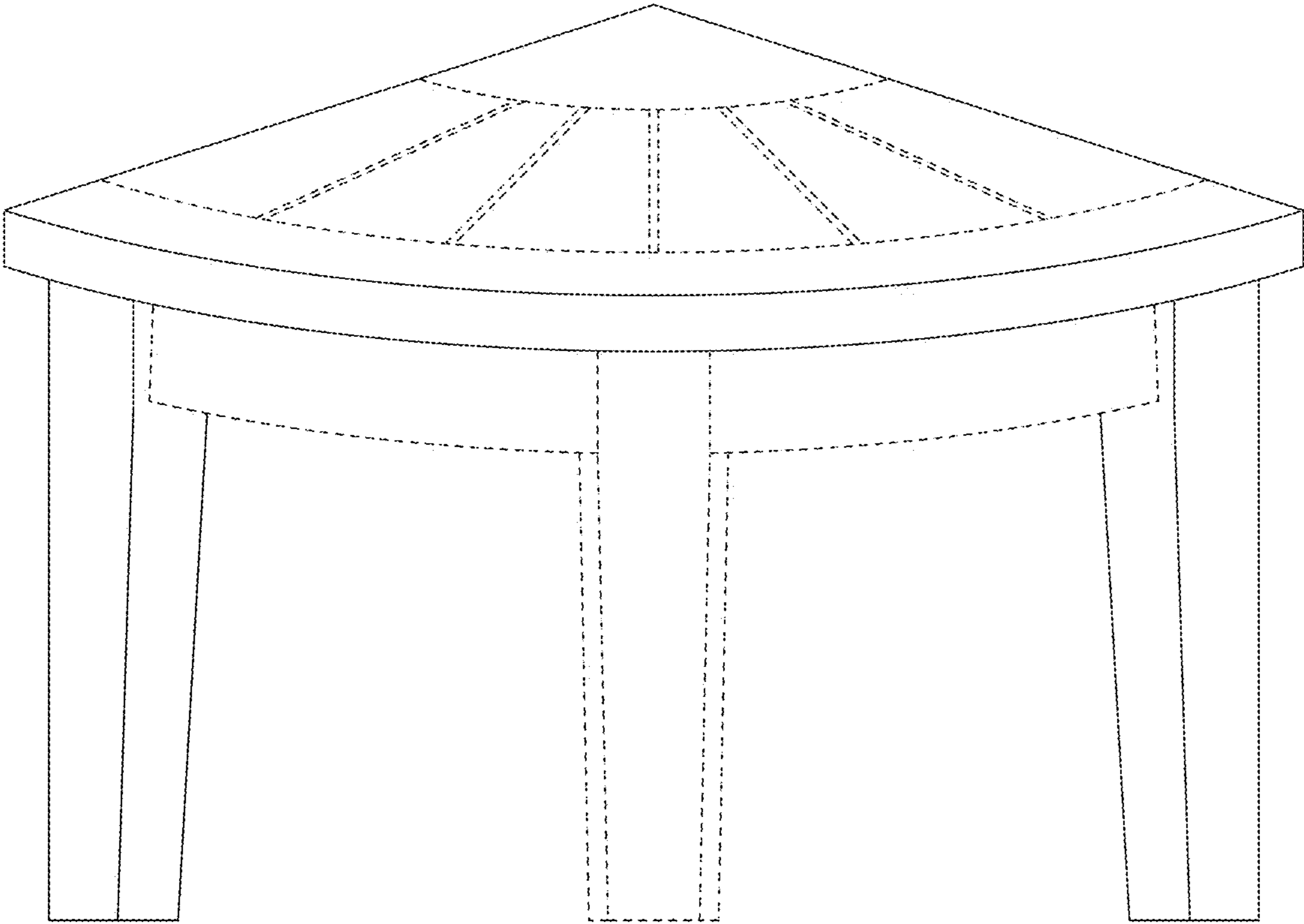


Fig. 3

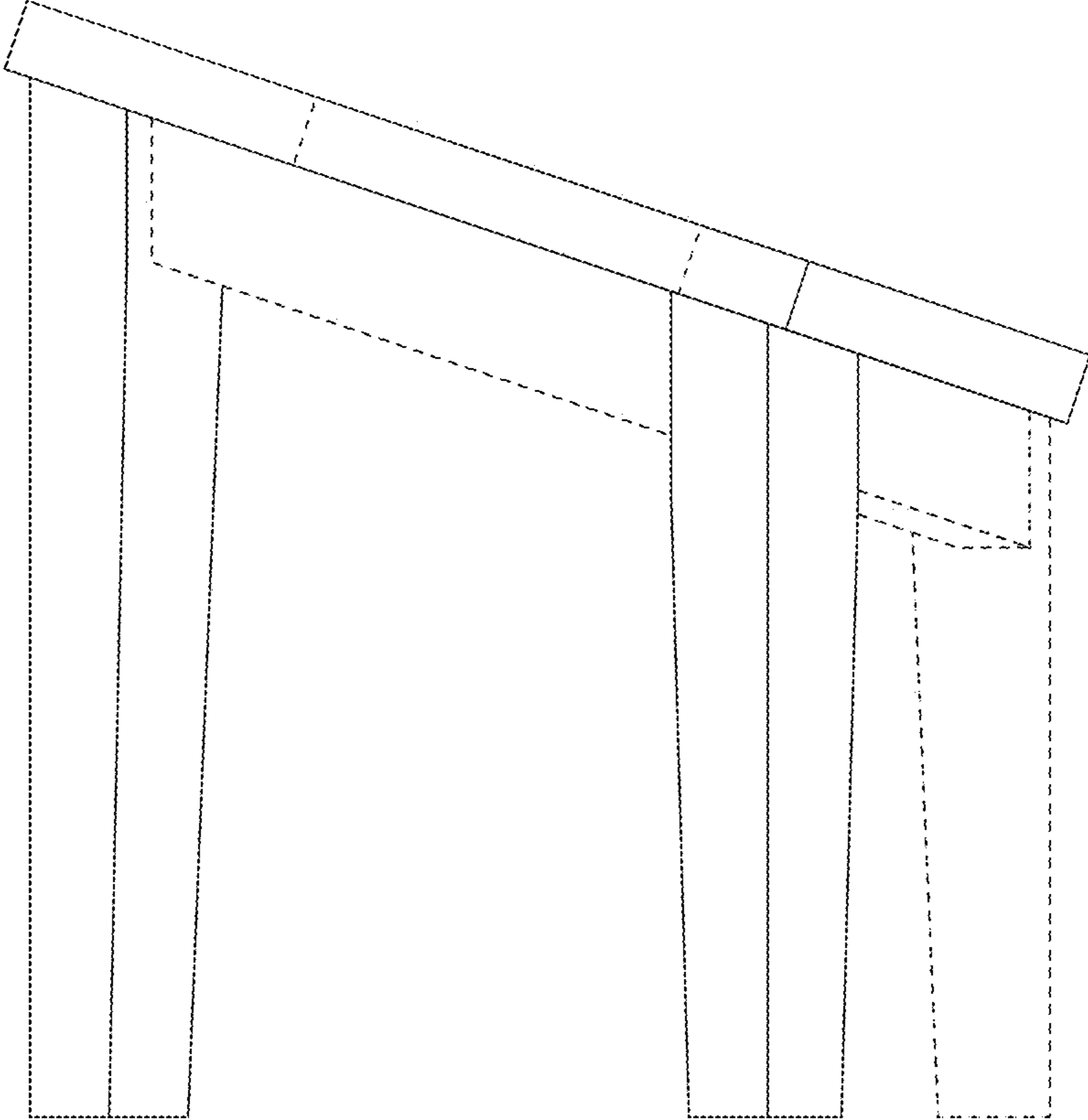


Fig. 4

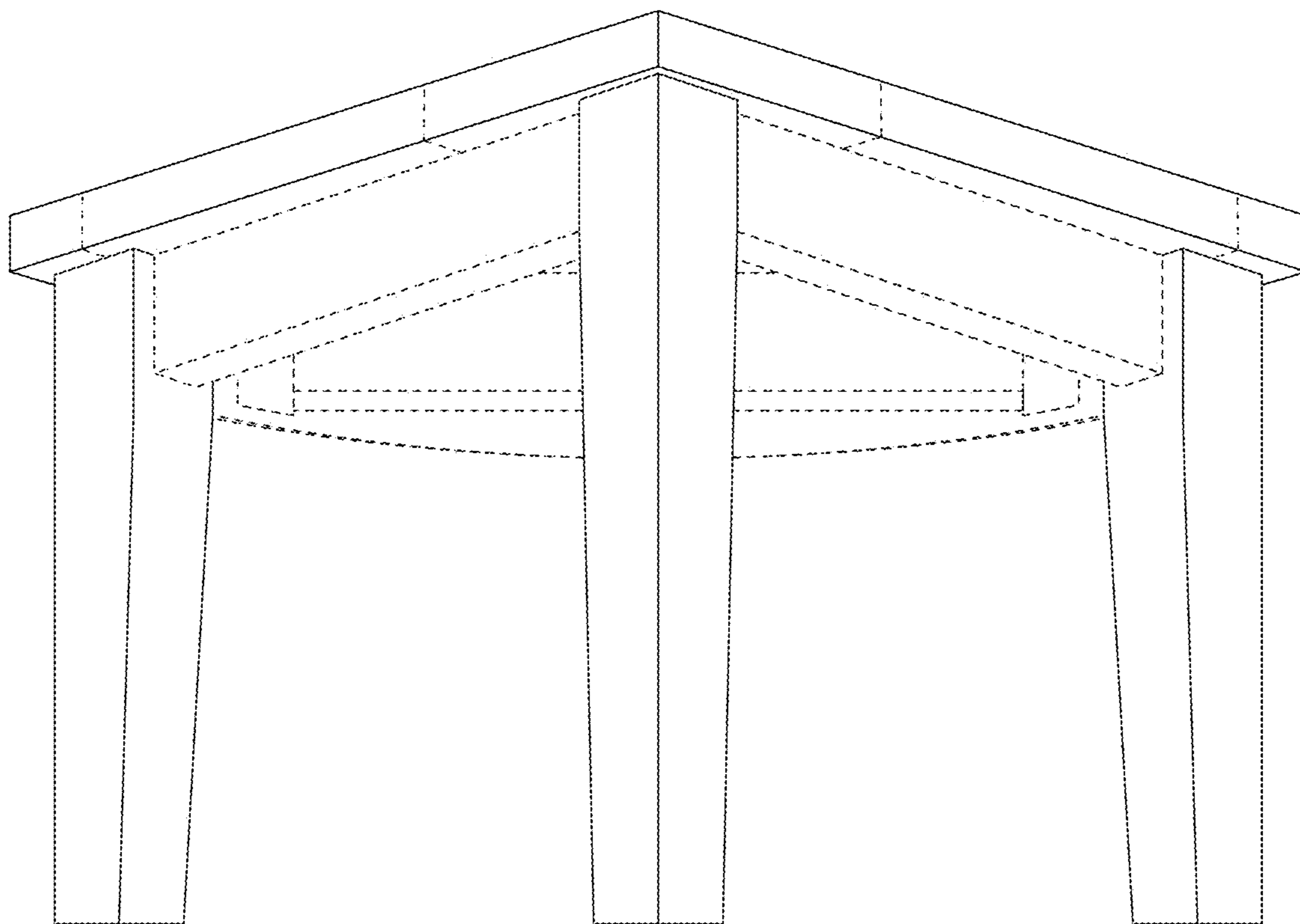


Fig. 5

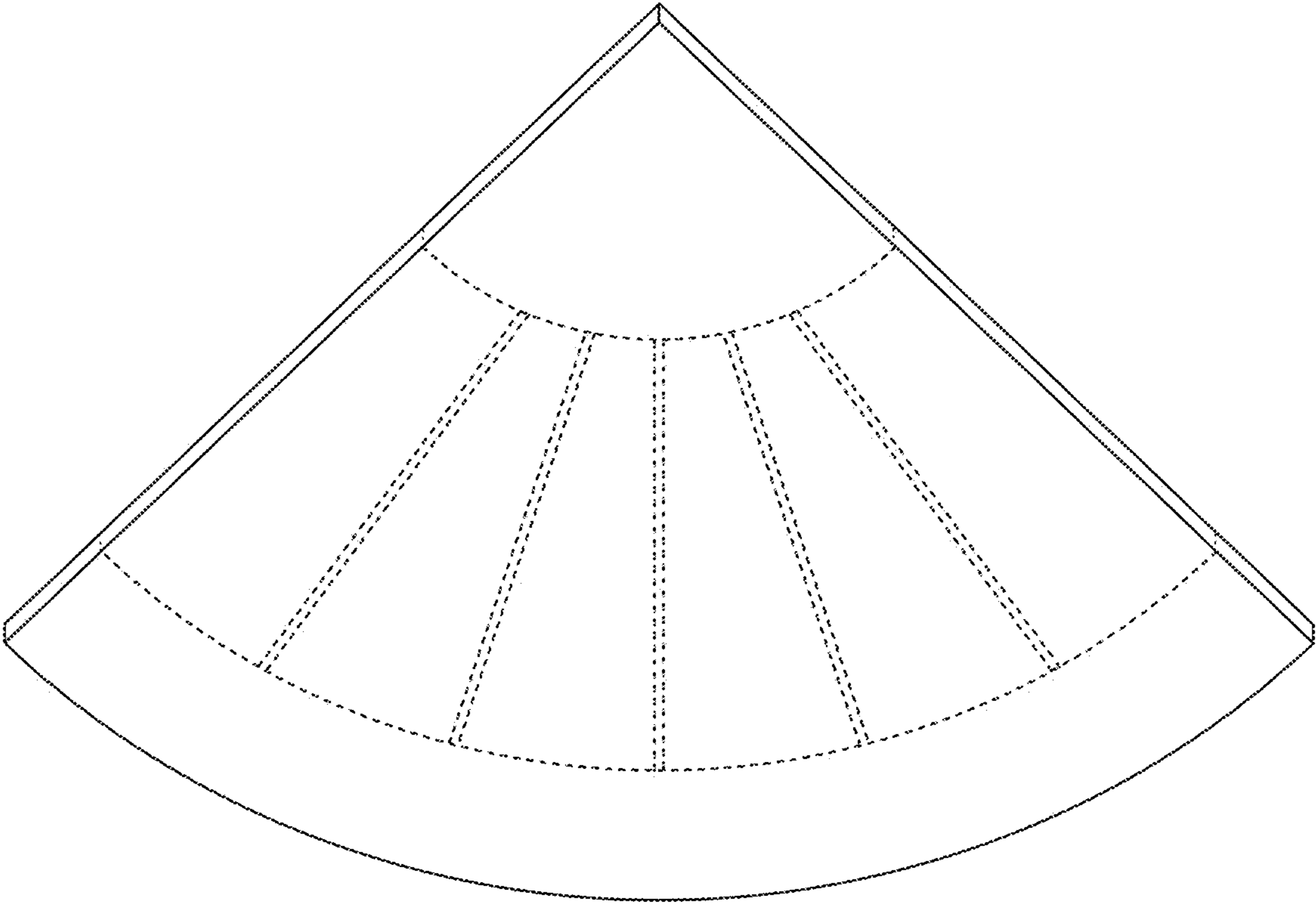


Fig. 6

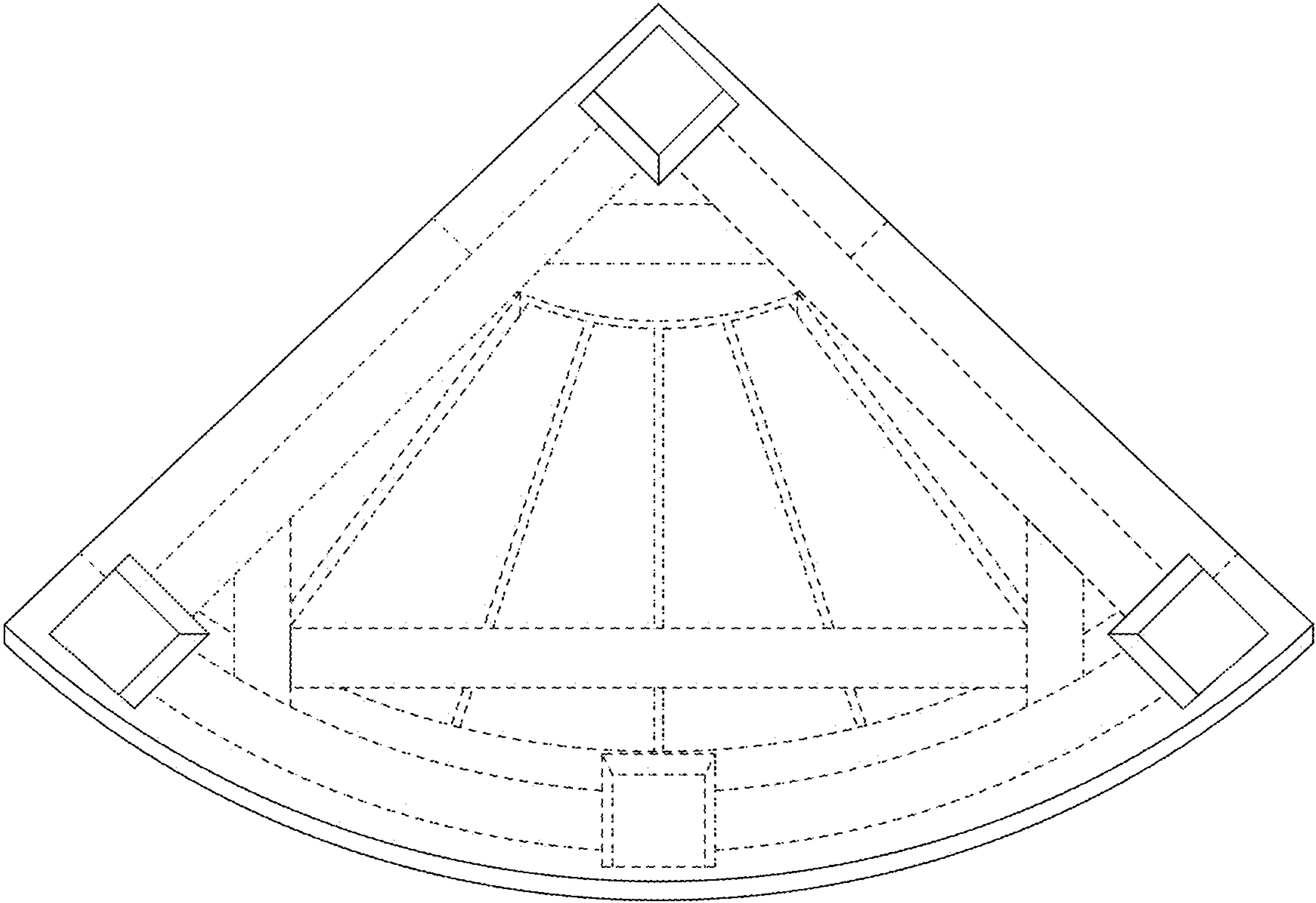


Fig. 7