



US00D957149S

(12) **United States Design Patent**
Huntley et al.

(10) **Patent No.:** **US D957,149 S**
(45) **Date of Patent:** **** Jul. 12, 2022**

(54) **CAR SEAT**

D362,347 S * 9/1995 Karl D6/334
D639,569 S * 6/2011 LaRoche D6/333
D687,638 S * 8/2013 Beda D6/333
D781,059 S * 3/2017 Christopherson D6/333

(71) Applicant: **Wonderland Switzerland AG,**
Steinhausen (CH)

* cited by examiner

(72) Inventors: **John E. Huntley,** Philadelphia, PA
(US); **Jonathan K. Mountz,** Birdsboro,
PA (US)

Primary Examiner — Abraham Bahta
(74) *Attorney, Agent, or Firm* — Burriss Law, PLLC

(73) Assignee: **Wonderland Switzerland AG,**
Steinhausen (CH)

(57) **CLAIM**

The ornamental design for a car seat, as shown and described.

(**) Term: **15 Years**

DESCRIPTION

(21) Appl. No.: **29/768,218**

FIG. 1 is a perspective view of a car seat showing our new design;

(22) Filed: **Jan. 28, 2021**

FIG. 2 is a front elevational view thereof;

(51) **LOC (13) Cl.** **06-01**

FIG. 3 is a rear elevational view thereof;

(52) **U.S. Cl.**

FIG. 4 is a left side elevational view thereof;

USPC **D6/333**

FIG. 5 is a right side elevational view thereof;

(58) **Field of Classification Search**

FIG. 6 is a top plan view thereof;

USPC D6/333, 334, 335, 336, 361, 371, 374,

FIG. 7 is a bottom plan view thereof;

D6/375, 381, 716.1, 716.4; 297/250.1,

FIG. 8 is a perspective view of the second embodiment of the car seat; and,

297/255, 256.15, 256.1, 183.1–183.4

FIG. 9 is a perspective view of FIG. 1 showing alternate use of the car seat by including additional components shown in an exploded view.

CPC A47C 7/24; A47C 7/36; A47C 7/20; A47C

7/18; A47C 5/06; A47C 17/02; A47C

4/028; B60N 2/70

See application file for complete search history.

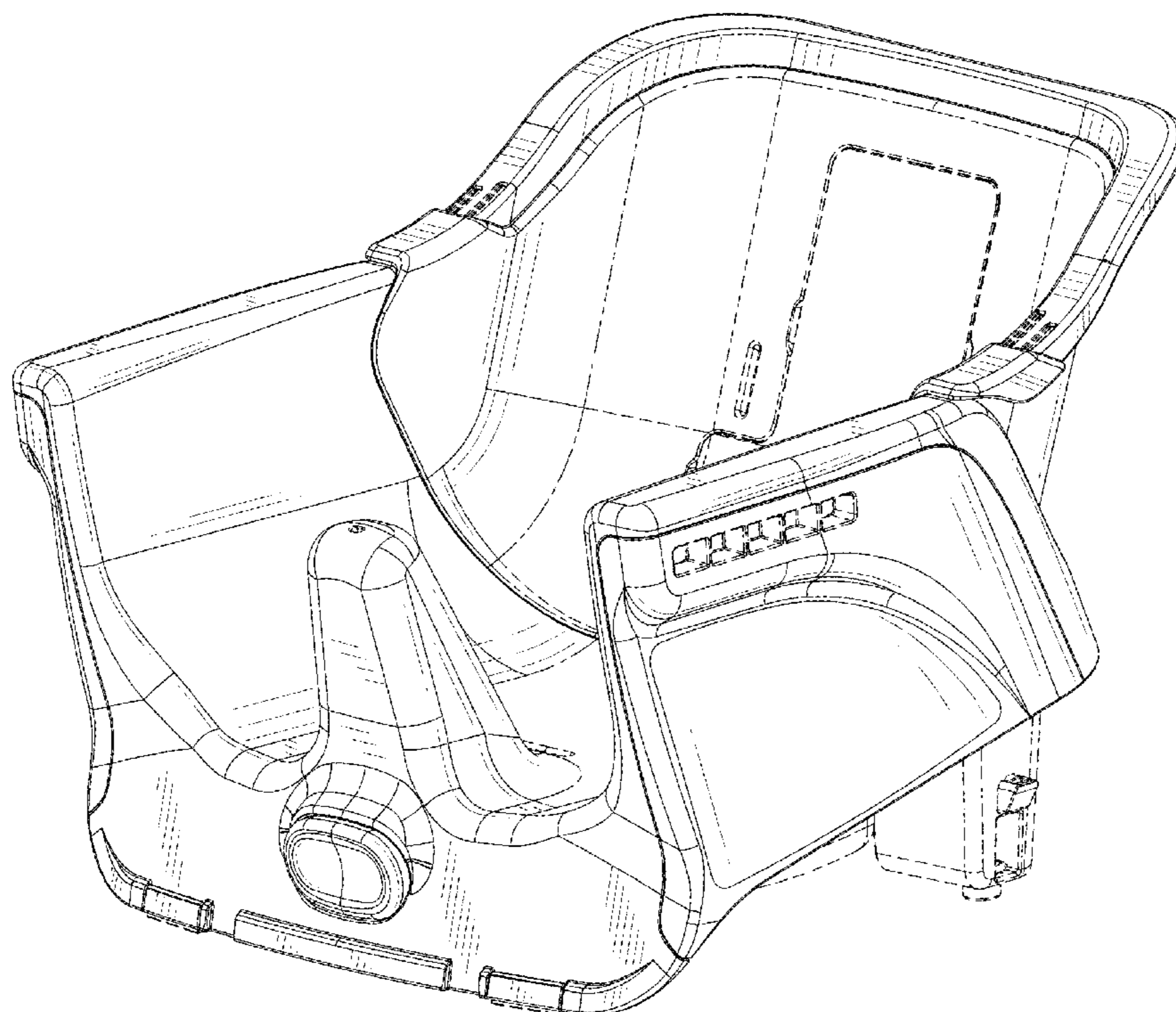
The dashed broken lines depict portions of a car seat base in which the design is embodied that form no part of the claimed design, and illustrate environment structures that form no part of the claimed design. The dot-dash broken lines are for defining the bounds of the claimed design only and form no part of the claimed design.

(56) **References Cited**

U.S. PATENT DOCUMENTS

D252,490 S * 7/1979 Petersilie D6/334
D283,855 S * 5/1986 Kujawski D6/333
D327,175 S * 6/1992 Mariol D6/333

1 Claim, 9 Drawing Sheets



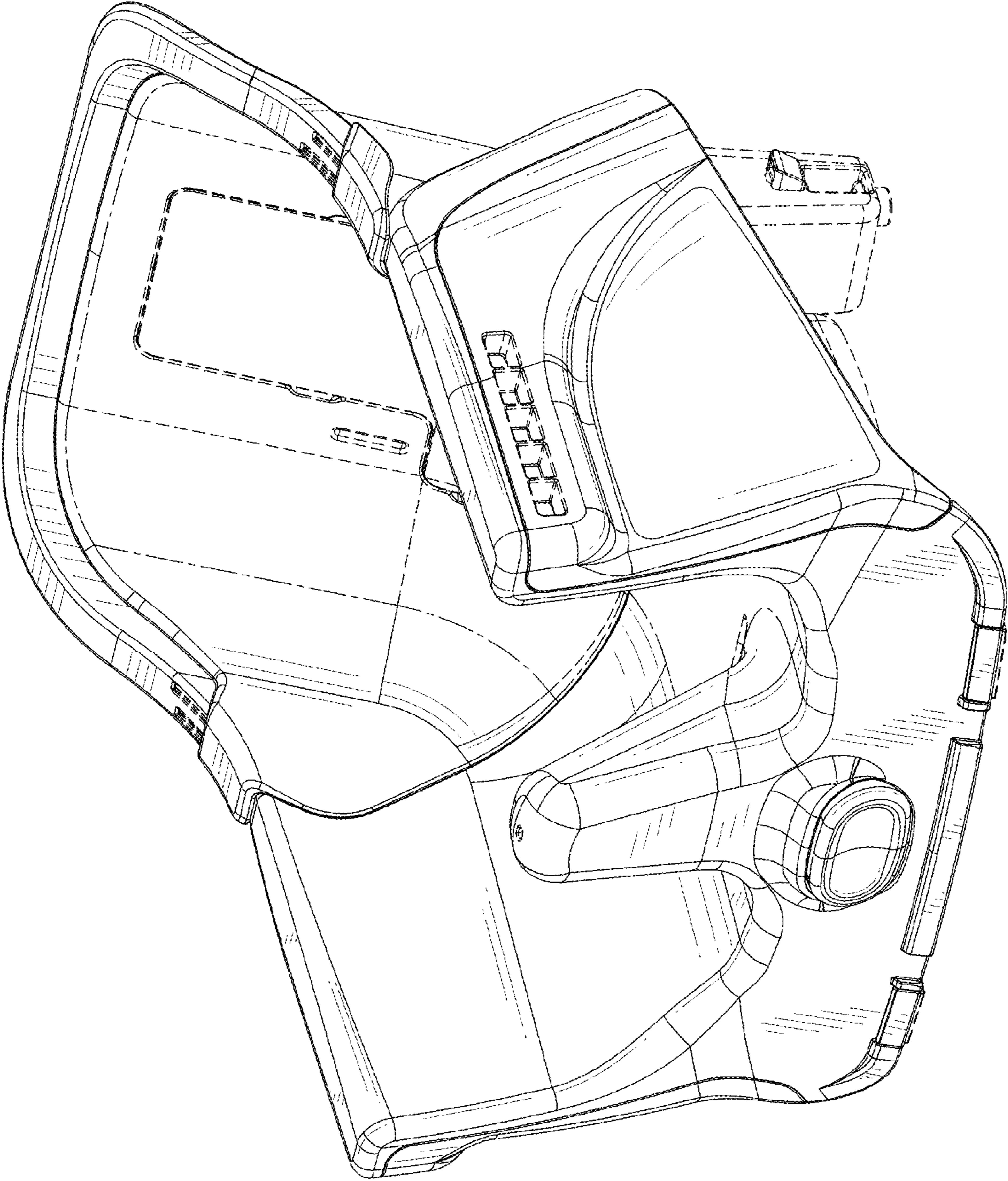


FIG. 1

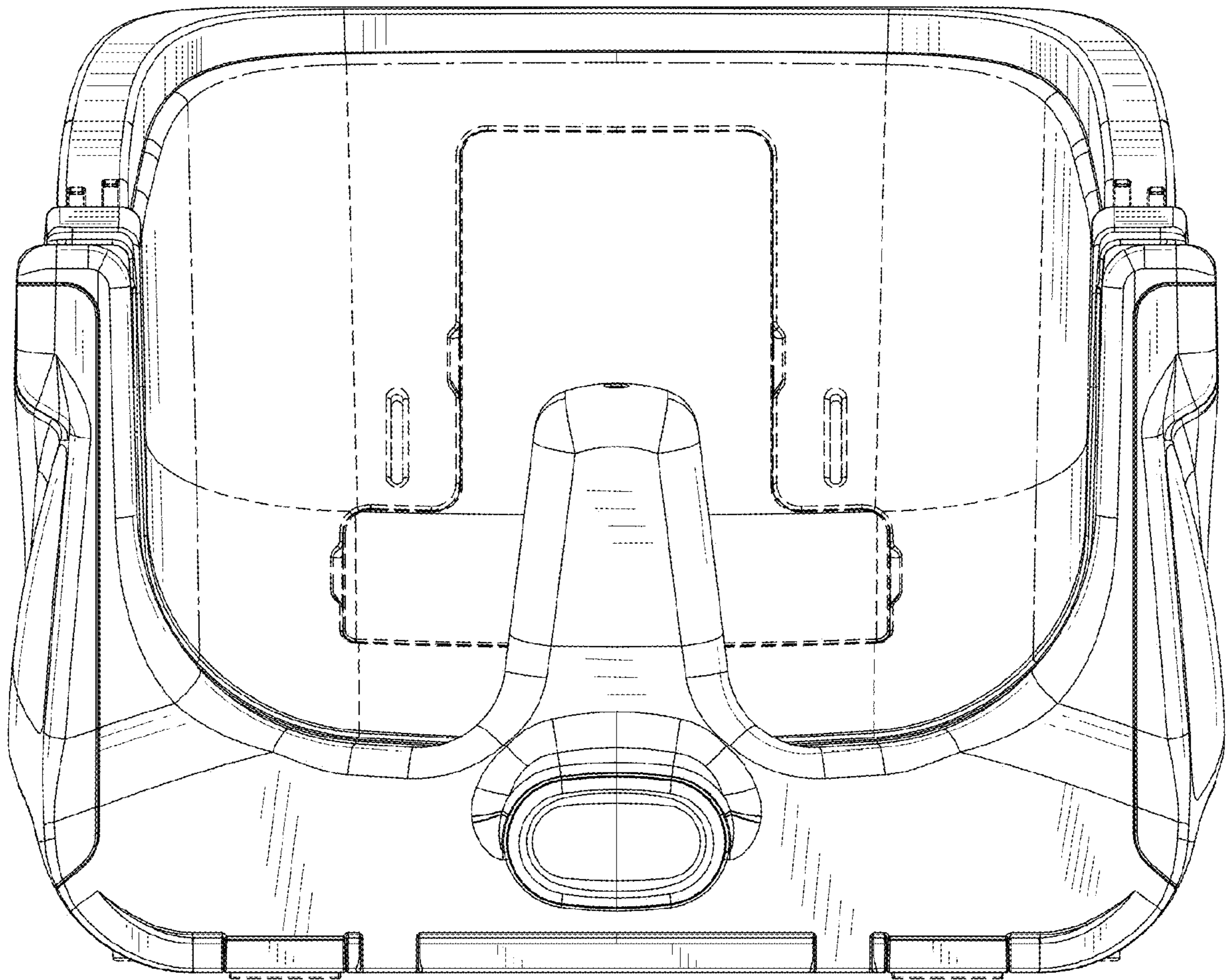


FIG. 2

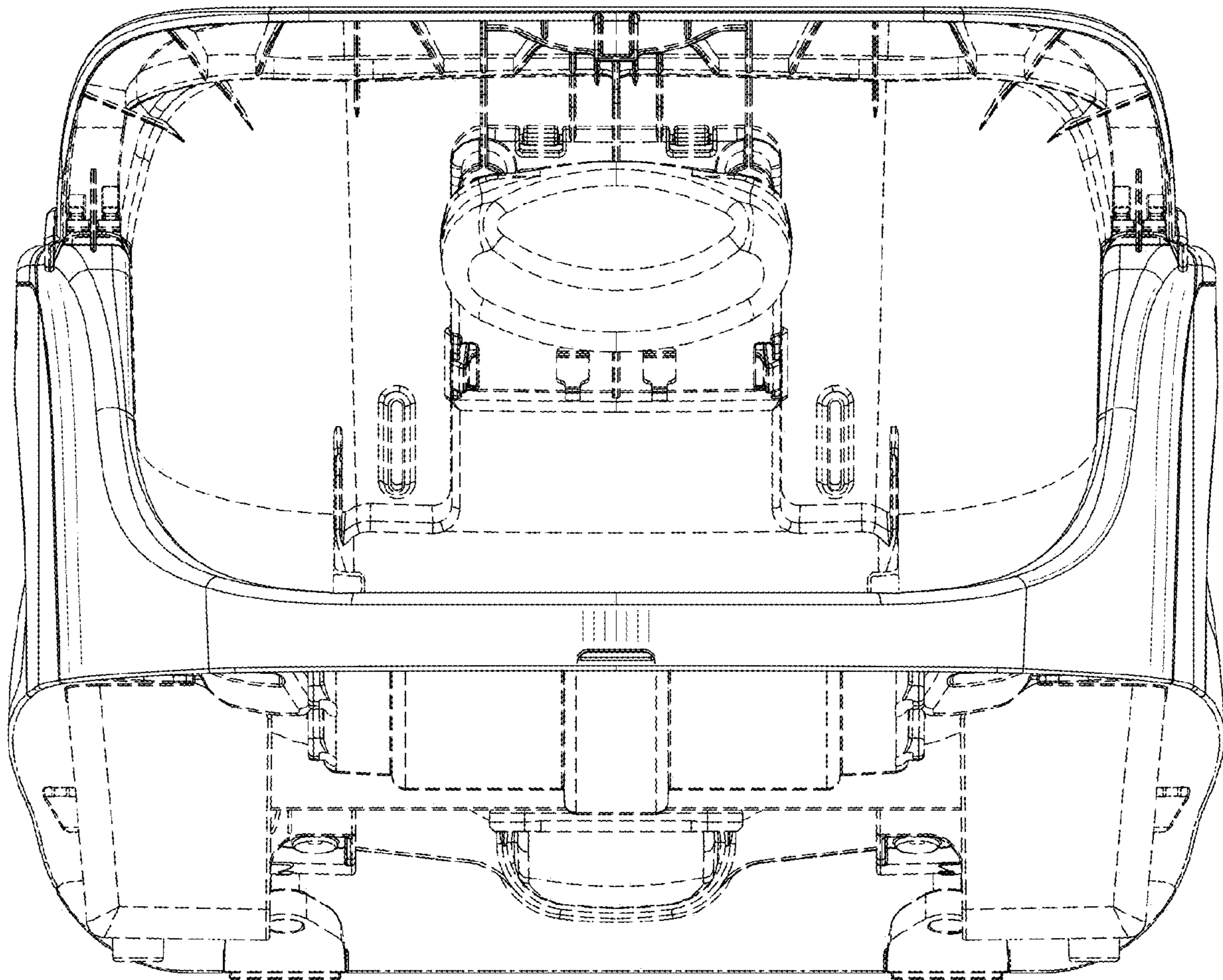


FIG. 3

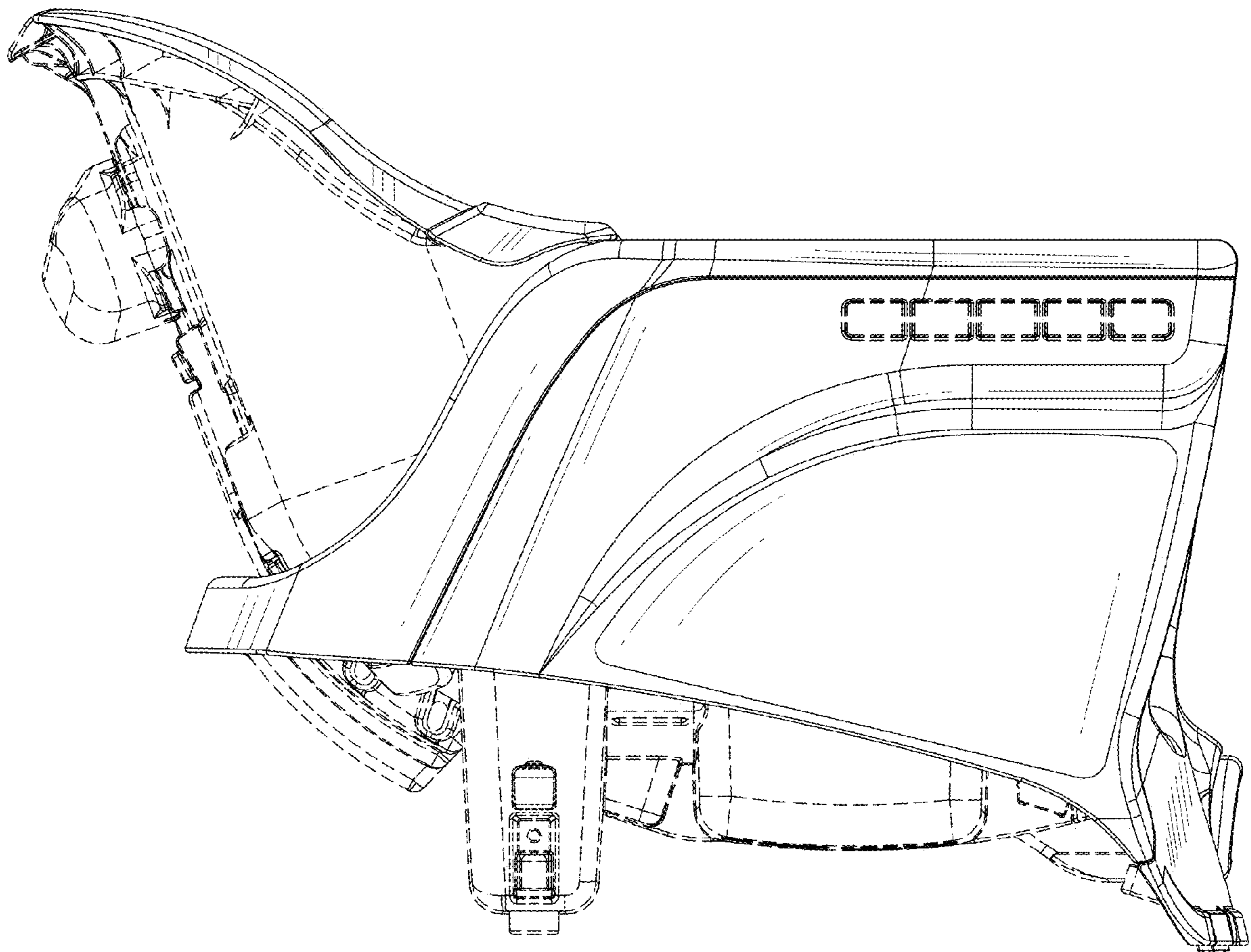


FIG. 4

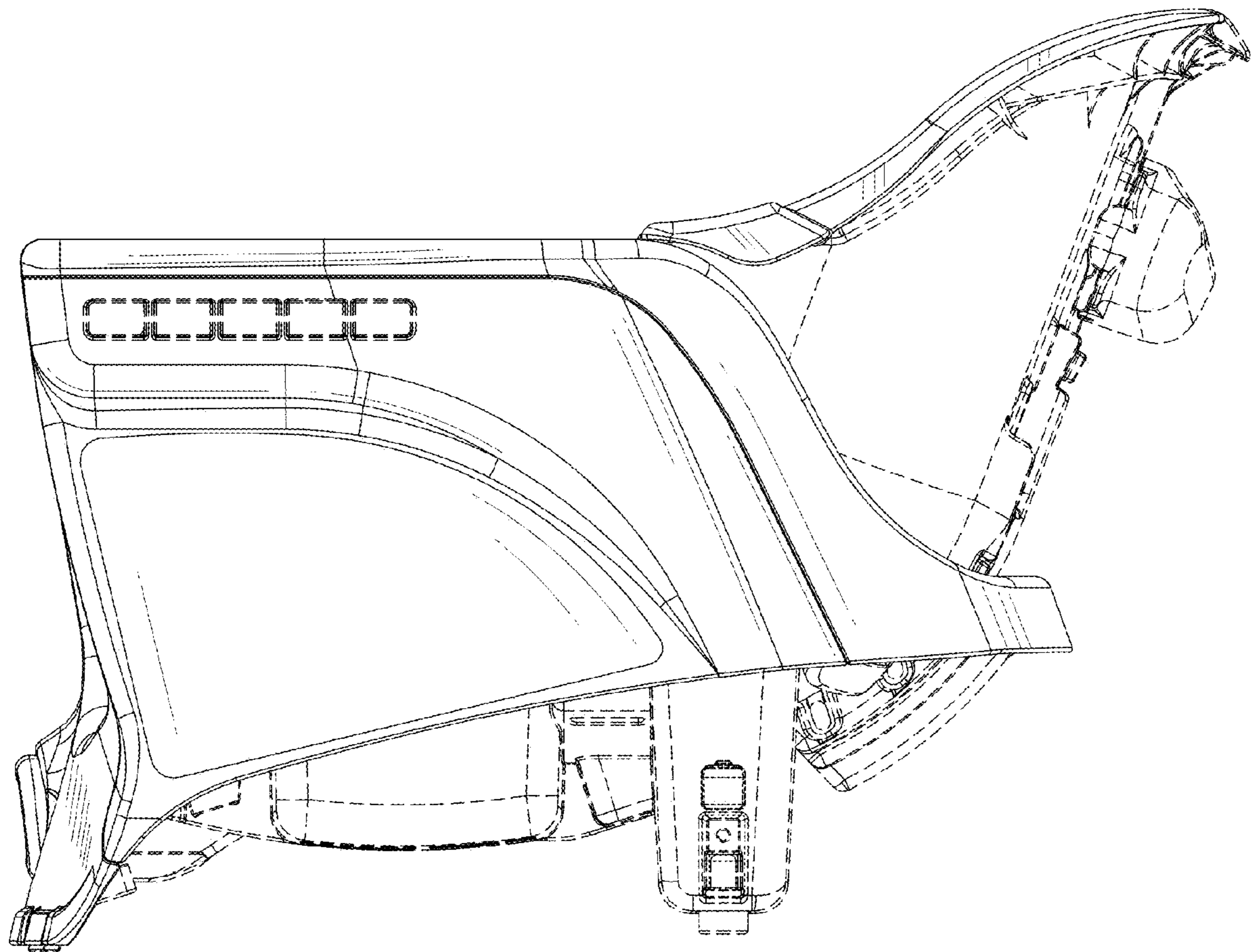


FIG. 5

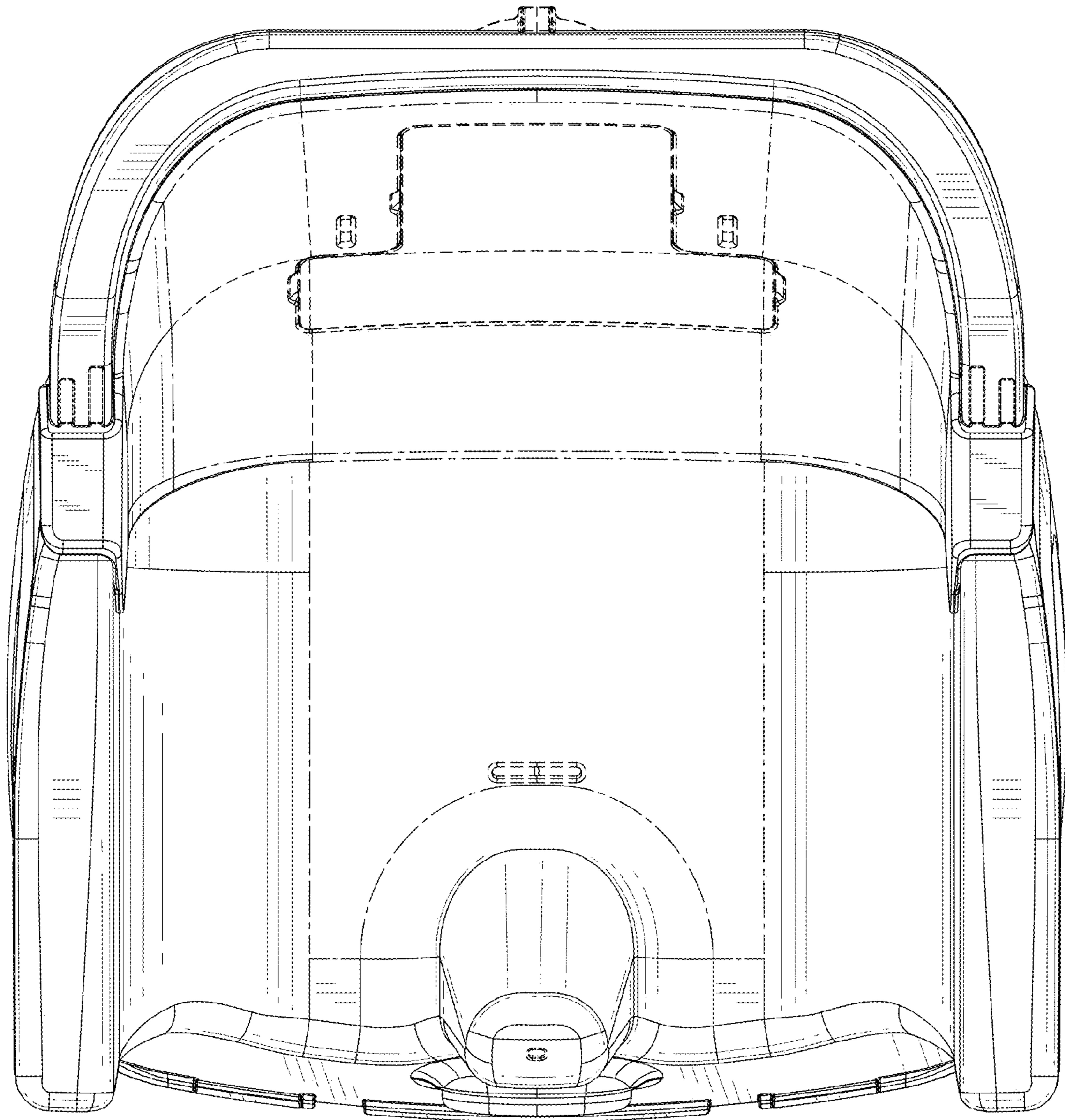


FIG. 6

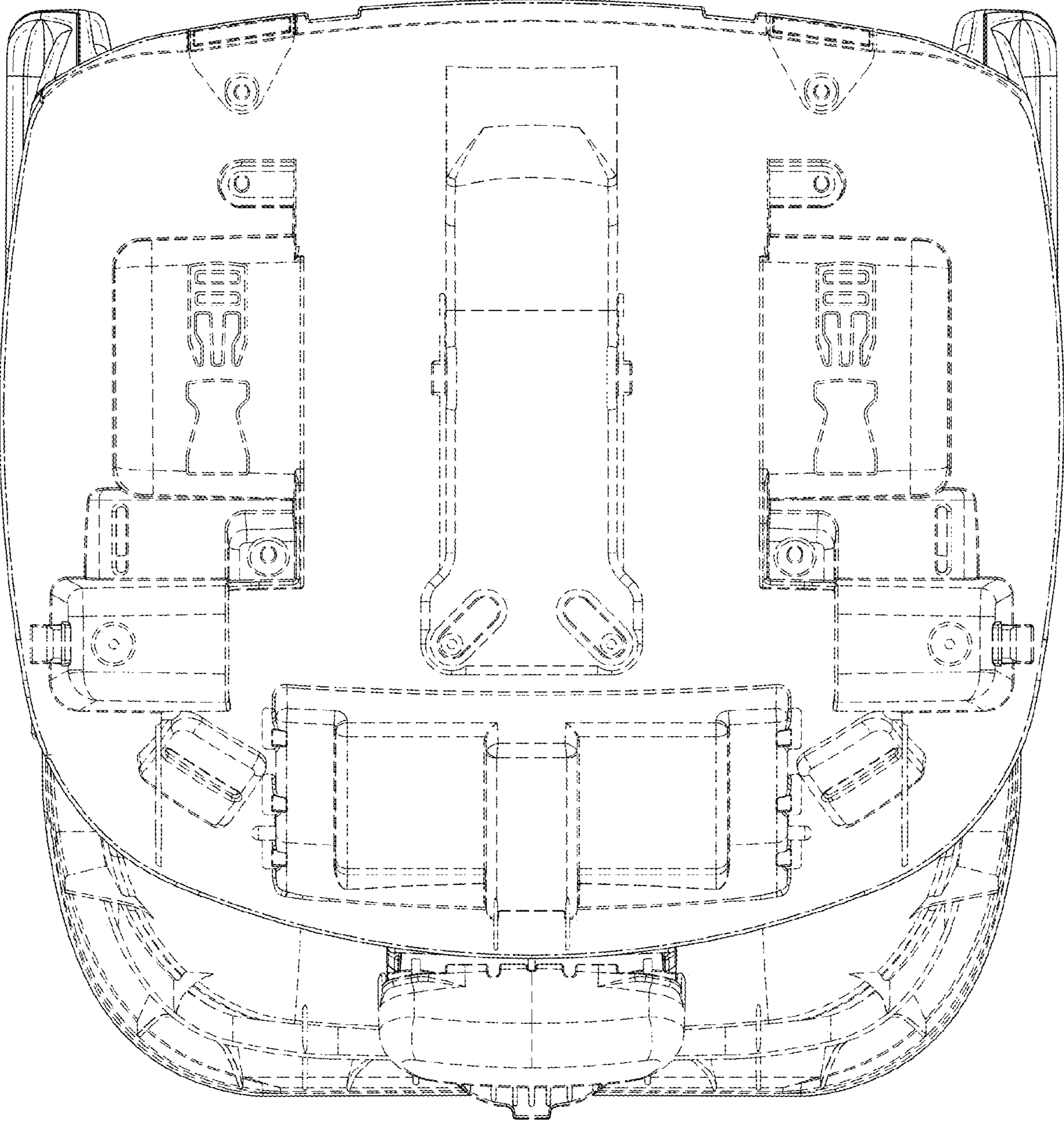


FIG. 7

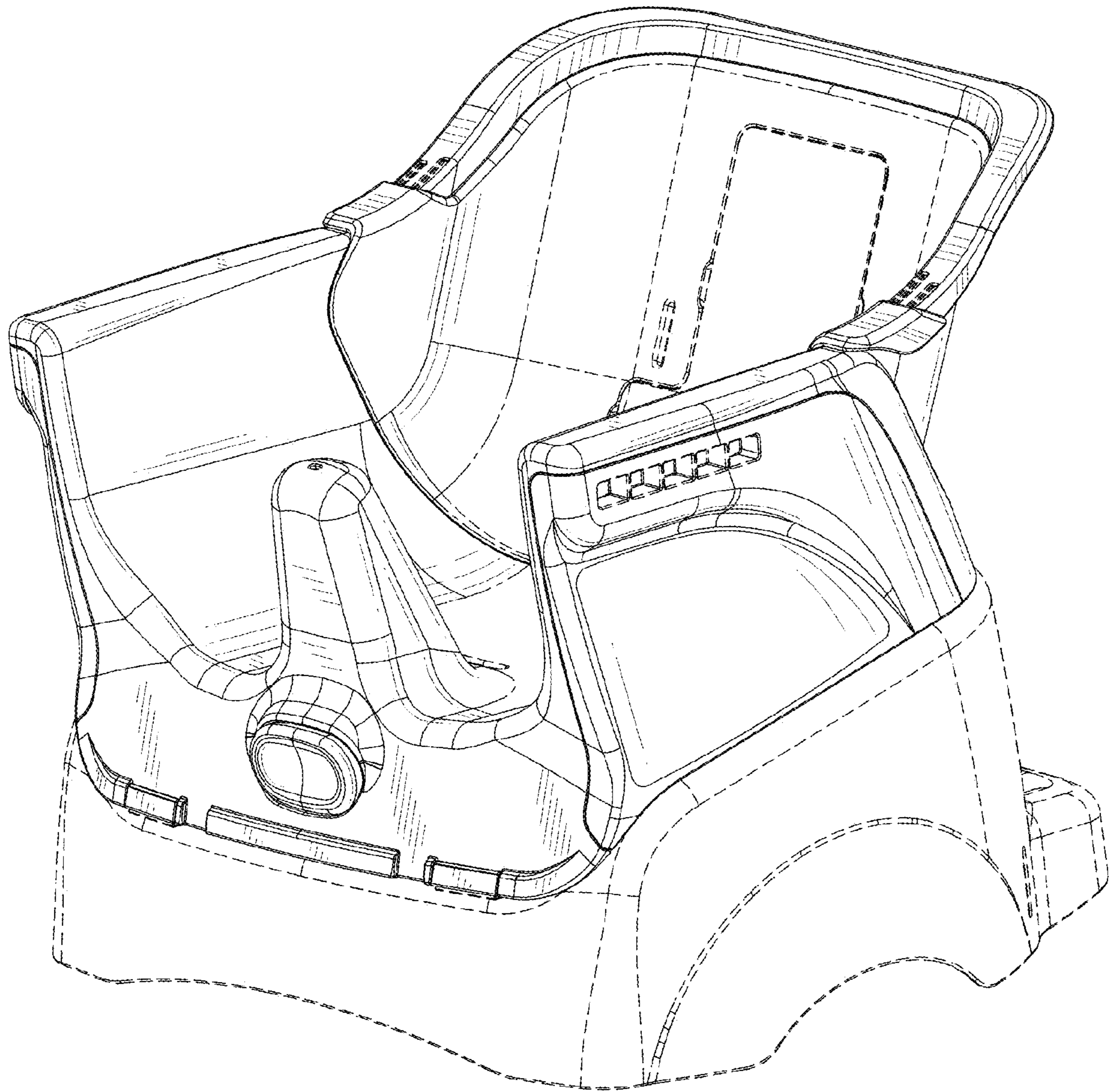


FIG.8

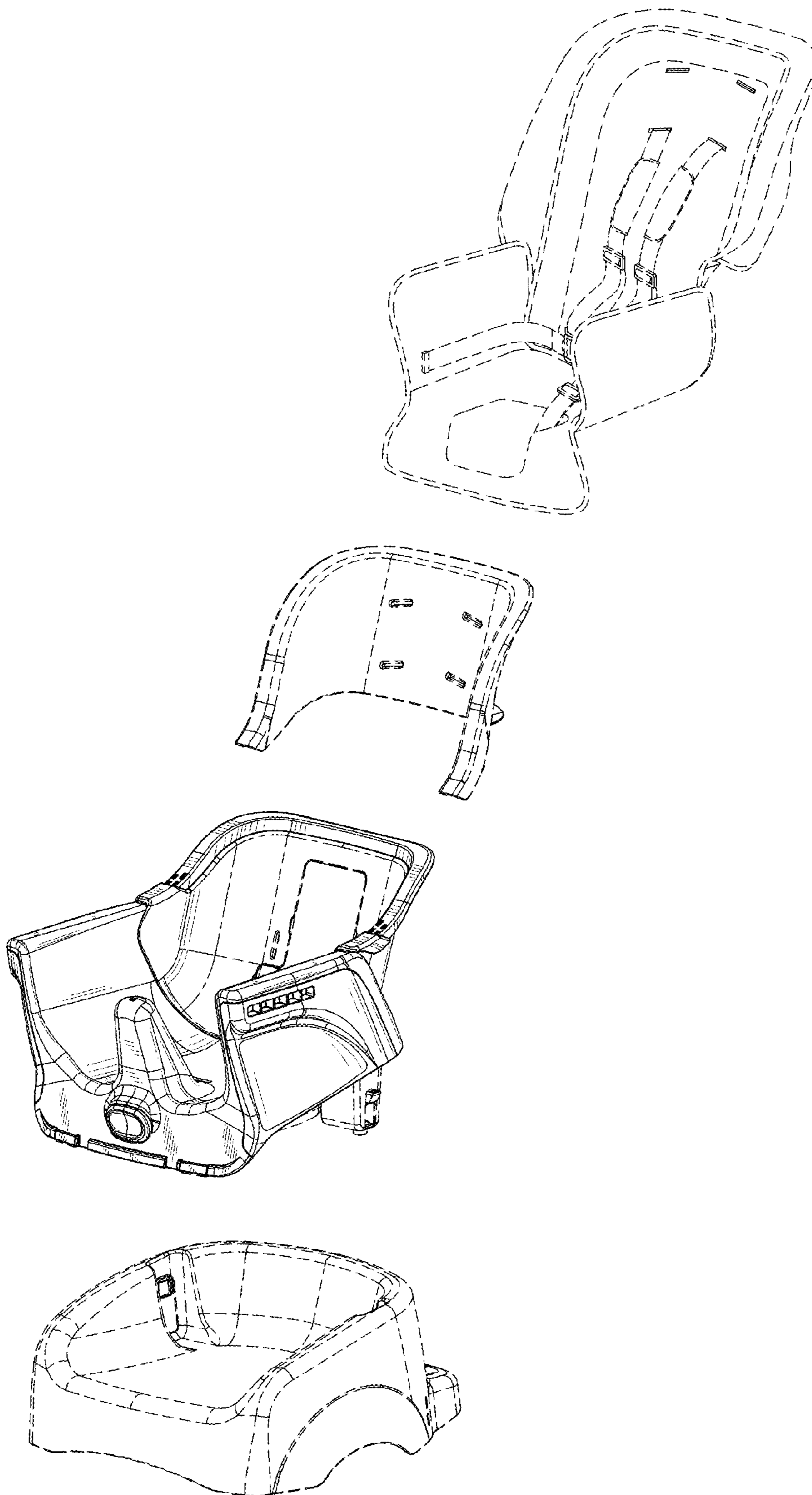


FIG. 9