



US00D957147S

(12) **United States Design Patent**
Pankratz

(10) **Patent No.:** **US D957,147 S**
(45) **Date of Patent:** **** Jul. 12, 2022**

- (54) **SEAT FOR INFANT**
- (71) Applicant: **NUVATE INC.**, Oakville (CA)
- (72) Inventor: **Stephen Pankratz**, Oakville (CA)
- (73) Assignee: **NUVATE INC.**, Oakville (CA)
- (**) Term: **15 Years**
- (21) Appl. No.: **29/763,286**
- (22) Filed: **Dec. 22, 2020**
- (51) **LOC (13) Cl.** **06-01**
- (52) **U.S. Cl.**
USPC **D6/333**
- (58) **Field of Classification Search**
USPC D6/333, 334, 335, 336, 361, 371, 374,
D6/375, 381, 716.1, 716.4; 297/250.1,
297/255, 256.15, 256.1, 183.1–183.4
CPC A47C 7/24; A47C 7/36; A47C 7/20; A47C
7/18; A47C 5/06; A47C 17/02; A47C
4/028; B60N 2/70
See application file for complete search history.

- D687,638 S * 8/2013 Beda D6/333
- D700,786 S * 3/2014 Yeung D6/333
- D738,120 S * 9/2015 Connelly D6/333
- D781,059 S * 3/2017 Christopherson D6/333

* cited by examiner

Primary Examiner — Abraham Bahta
(74) *Attorney, Agent, or Firm* — Bhole IP Law; Anil Bhole; Marc Lampert

(57) **CLAIM**

The ornamental design for a seat for infant, substantially as shown and described.

DESCRIPTION

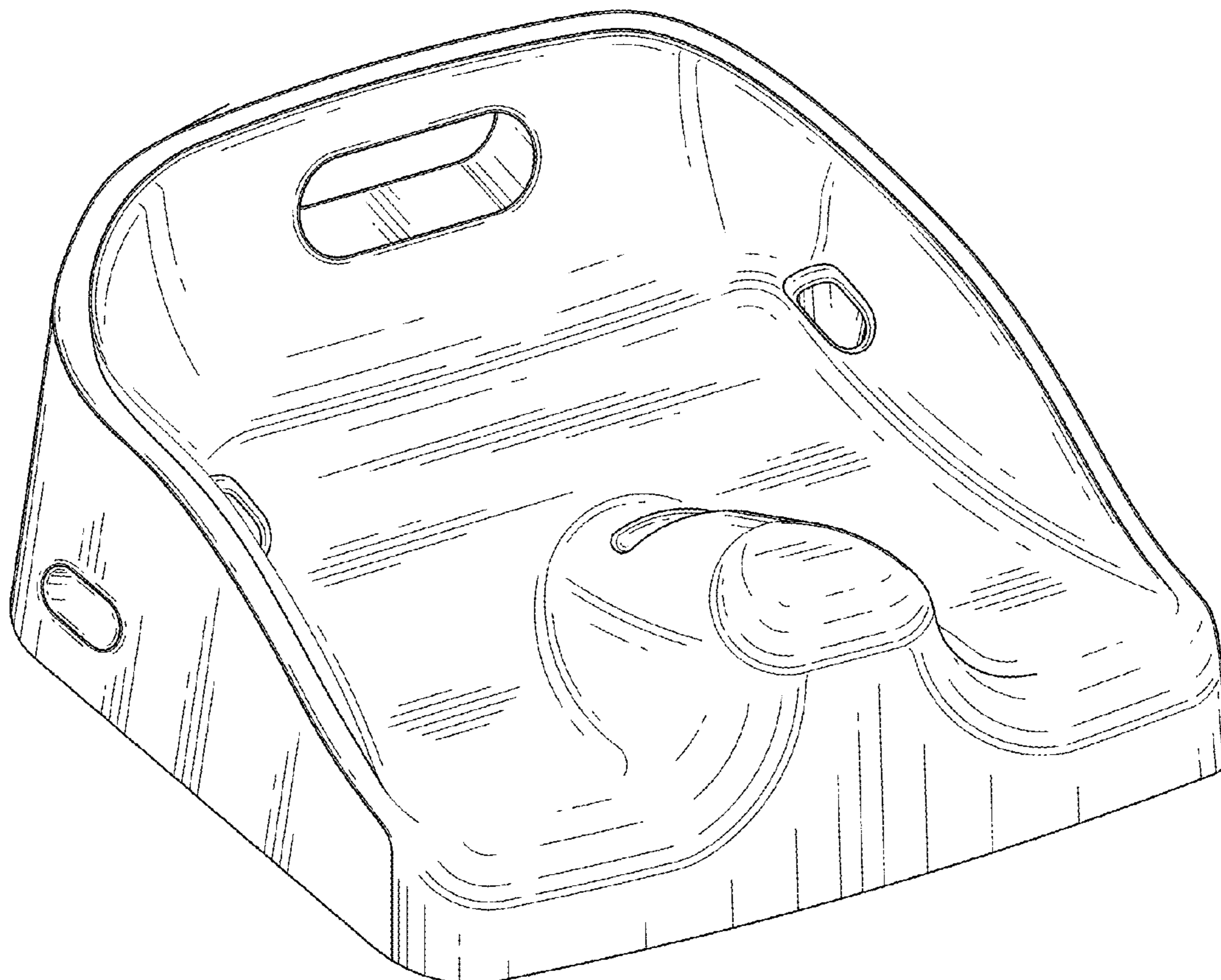
FIG. 1 is a top perspective view of the seat for infant; FIG. 2 is a bottom perspective view of the seat for infant; FIG. 3 is a front view of the seat for infant; FIG. 4 is a rear view of the seat for infant; FIG. 5 is a left view of the seat for infant; FIG. 6 is a right view of the seat for infant; FIG. 7 is a top view of the seat for infant; and, FIG. 8 is a bottom view of the seat for infant.

(56) **References Cited**

U.S. PATENT DOCUMENTS

- D553,865 S * 10/2007 Buitendach D6/333
- D592,865 S * 5/2009 Yeung D6/333

1 Claim, 6 Drawing Sheets



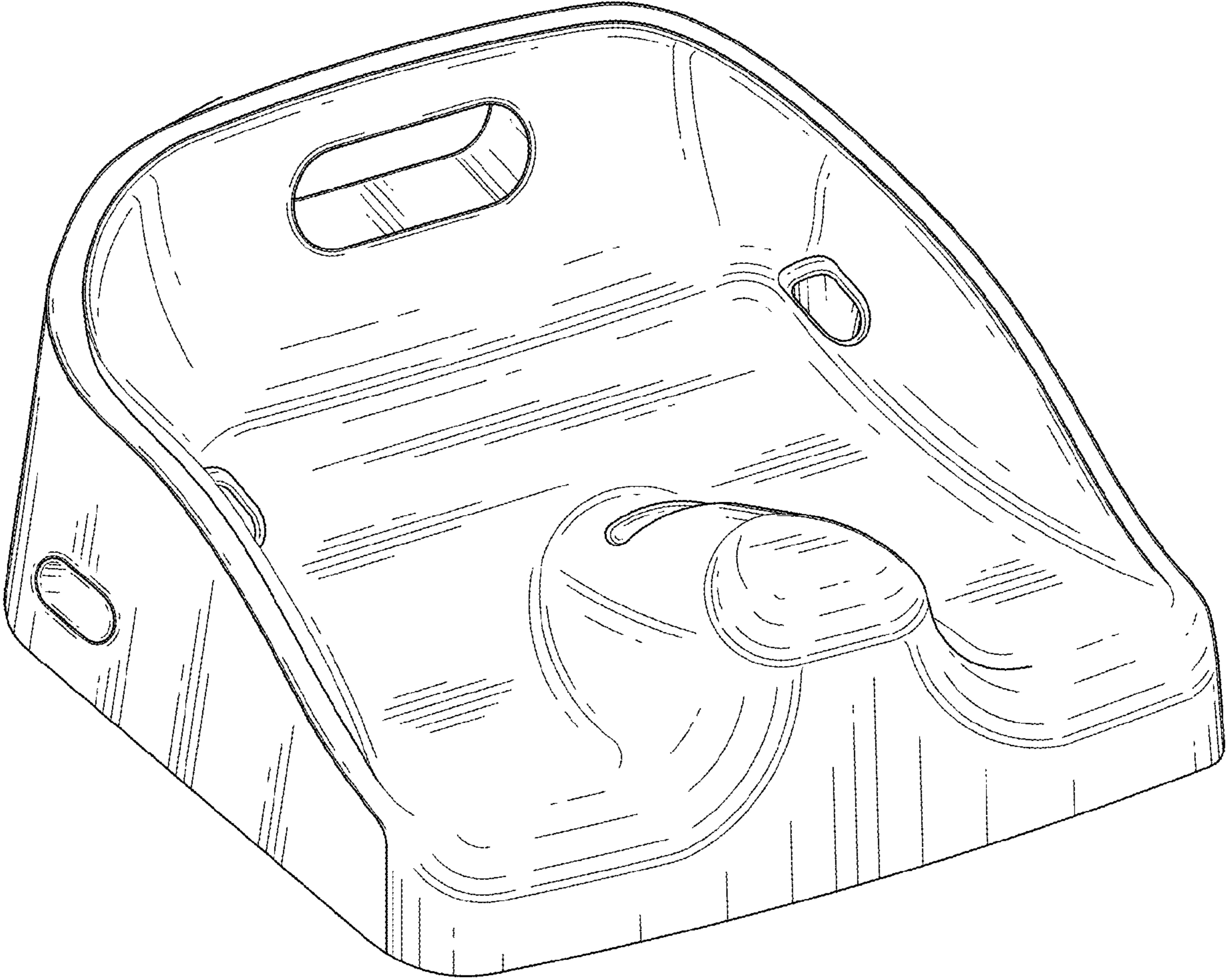


FIG. 1

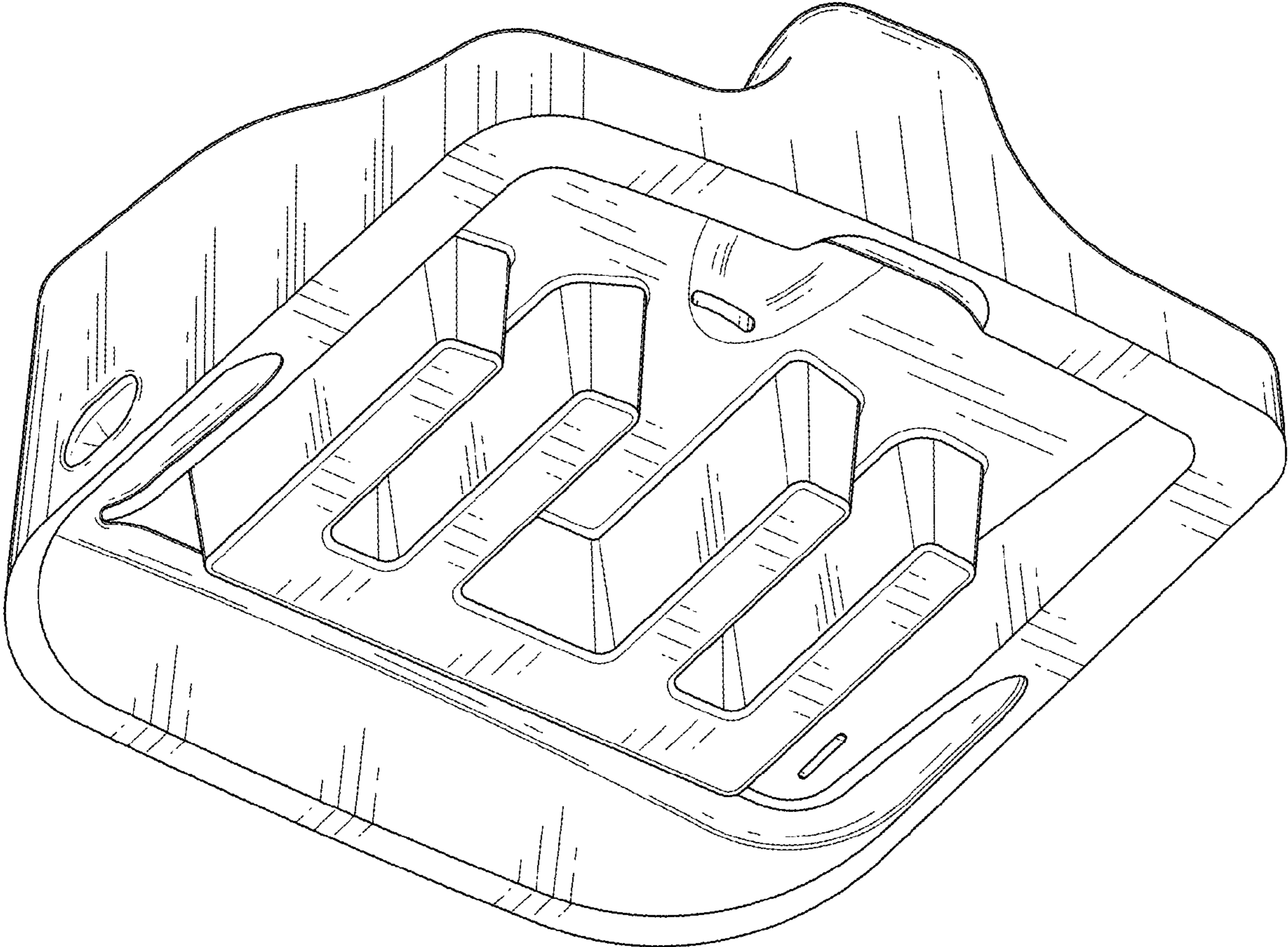


FIG. 2

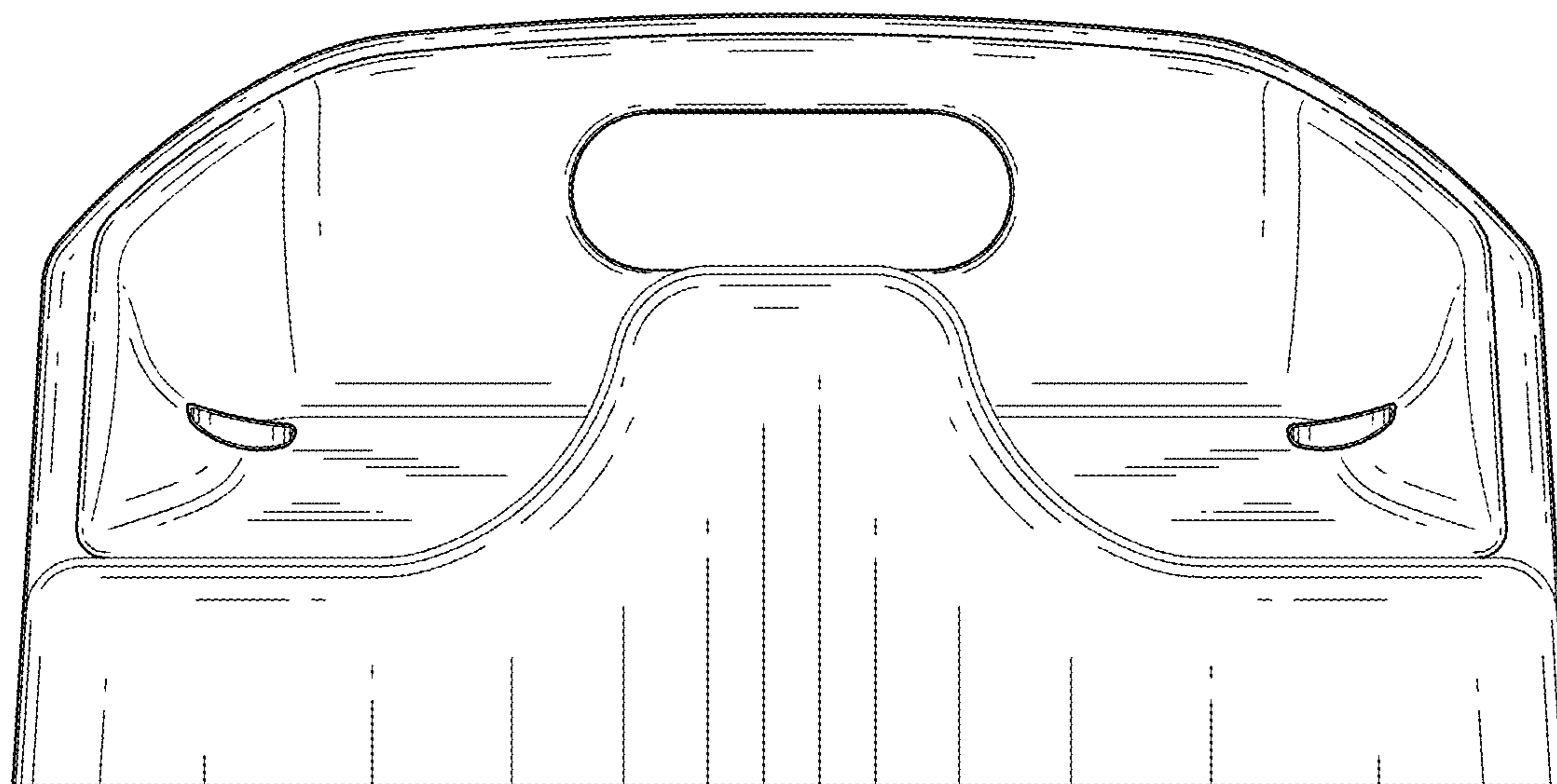


FIG. 3

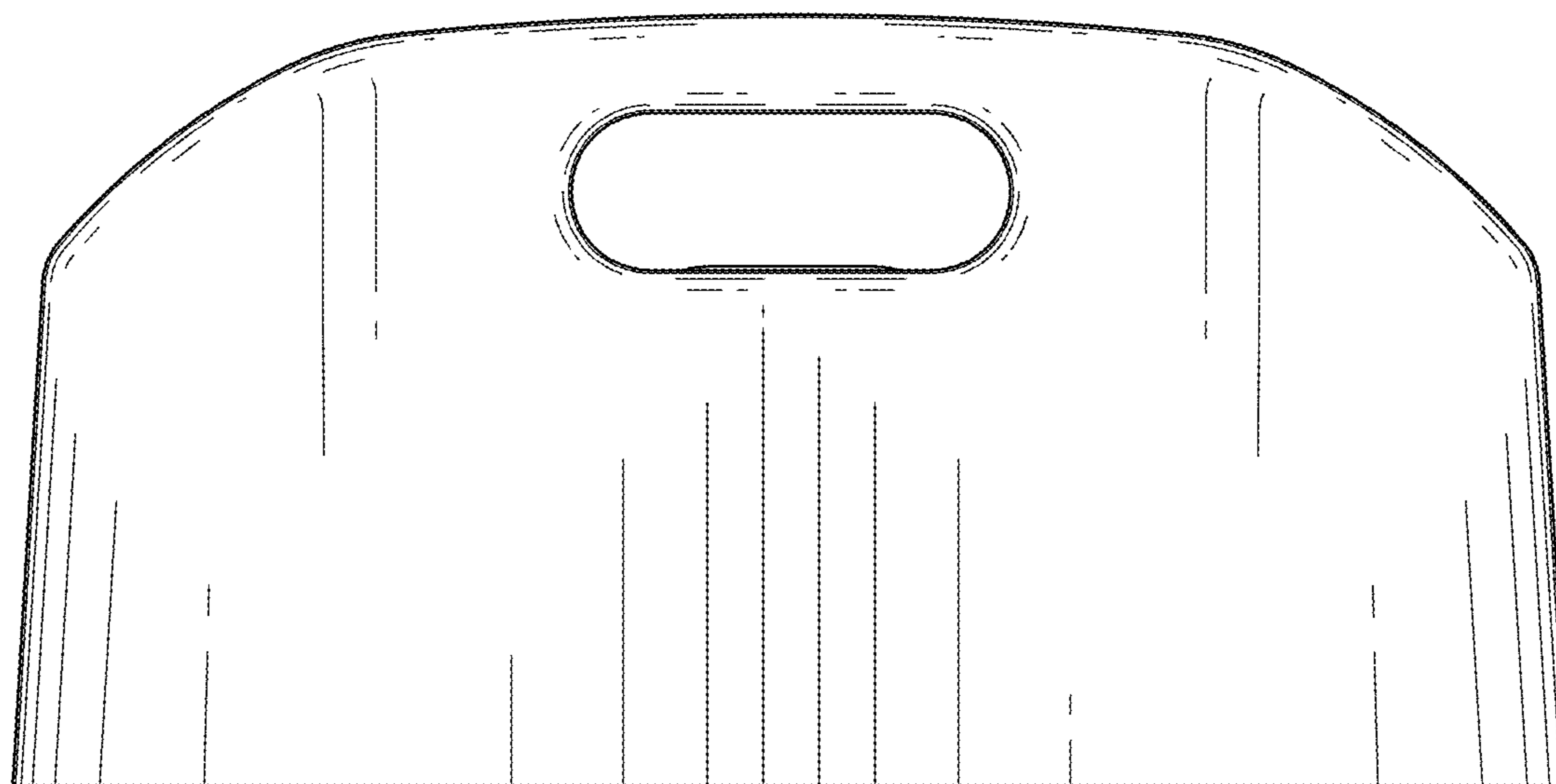


FIG. 4

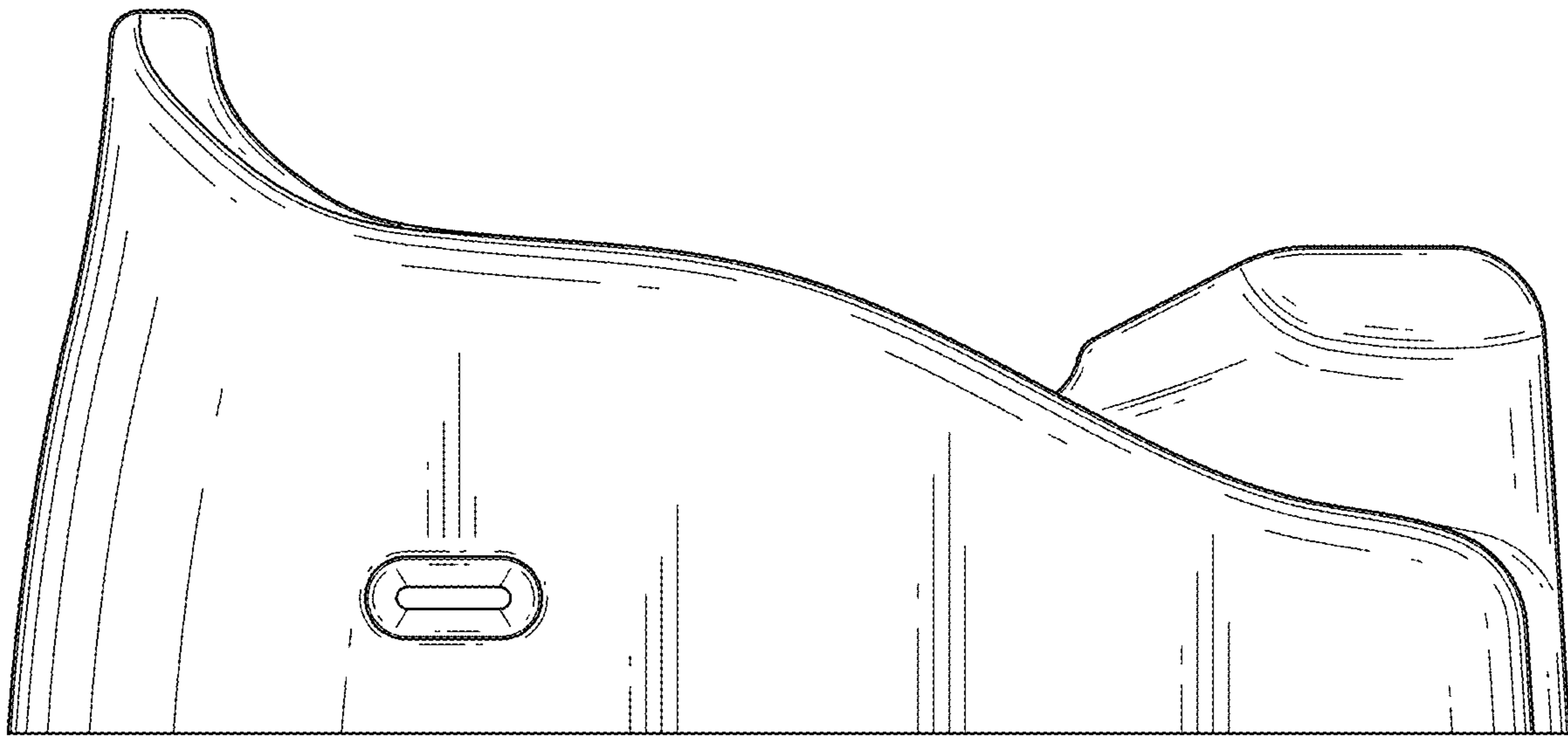


FIG. 5

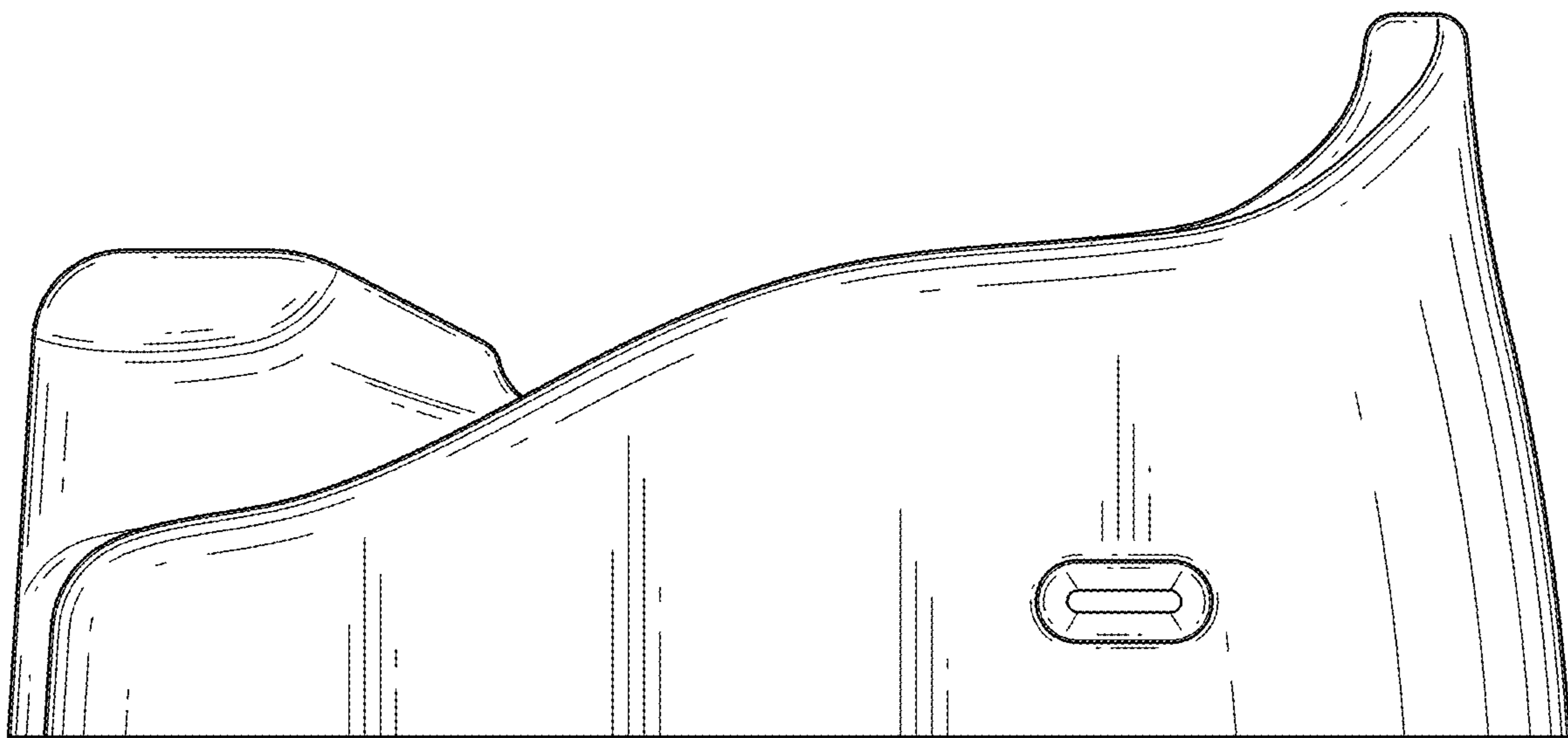


FIG. 6



FIG. 7

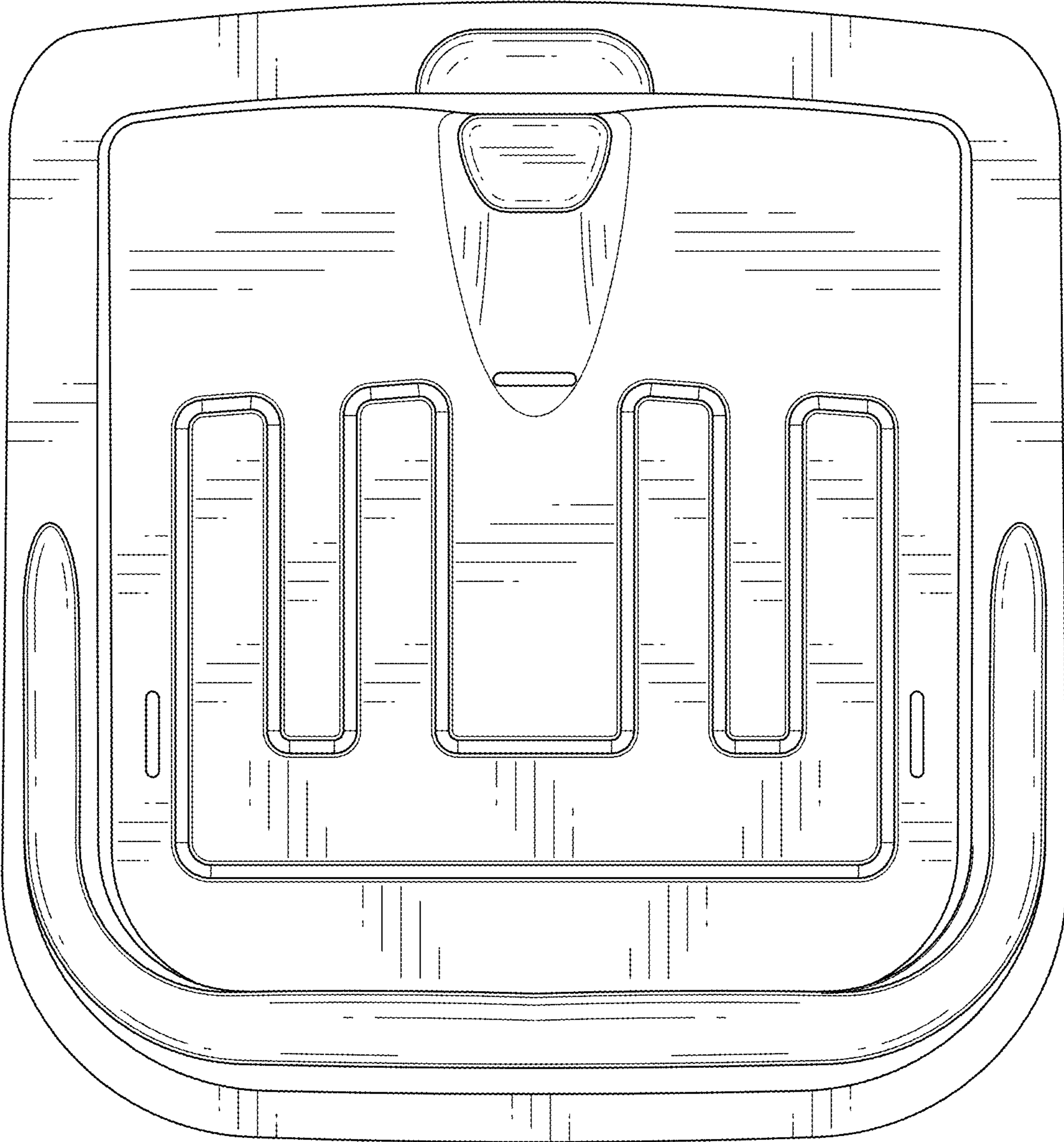


FIG. 8