

US00D957146S

(12) **United States Design Patent**
Qiu

(10) **Patent No.:** **US D957,146 S**
(45) **Date of Patent:** **** Jul. 12, 2022**

- (54) **PLAYPEN**
- (71) Applicant: **Shenzhen Topyou Network Technology Co., Ltd., Shenzhen (CN)**
- (72) Inventor: **Chaoming Qiu, Shenzhen (CN)**
- (73) Assignee: **Shenzhen Topyou Network Technology Co., Ltd., Shenzhen (CN)**

- (**) Term: **15 Years**
- (21) Appl. No.: **29/785,999**
- (22) Filed: **May 28, 2021**
- (51) **LOC (13) Cl.** **06-06**
- (52) **U.S. Cl.**
USPC **D6/331**
- (58) **Field of Classification Search**
USPC D6/331, 390-392
CPC A47D 7/00; A47D 13/00; A47D 13/006;
A47D 13/0061; A47D 13/0063; A47D
13/0065; A47D 13/0066; A47D 13/0068
See application file for complete search history.

(56) **References Cited**

U.S. PATENT DOCUMENTS

767,882	A *	8/1904	Gillis	A47D 7/00 5/97
1,975,332	A *	10/1934	Rehkopf	A47D 9/005 5/98.1
2,710,976	A *	6/1955	Martensen	A47D 13/063 5/98.1
3,018,493	A *	1/1962	Wittbrodt	A47D 13/063 5/99.1
3,173,155	A *	3/1965	Schweikert	A47D 13/066 5/98.1
D281,745	S *	12/1985	Pandorf	A47D 13/06 D6/390
5,813,064	A *	9/1998	Hartenstine	A47D 13/06 5/99.1

(Continued)

Primary Examiner — Mary Ann Calabrese
(74) *Attorney, Agent, or Firm* — True Shepherd LLC;
Andrew C. Cheng

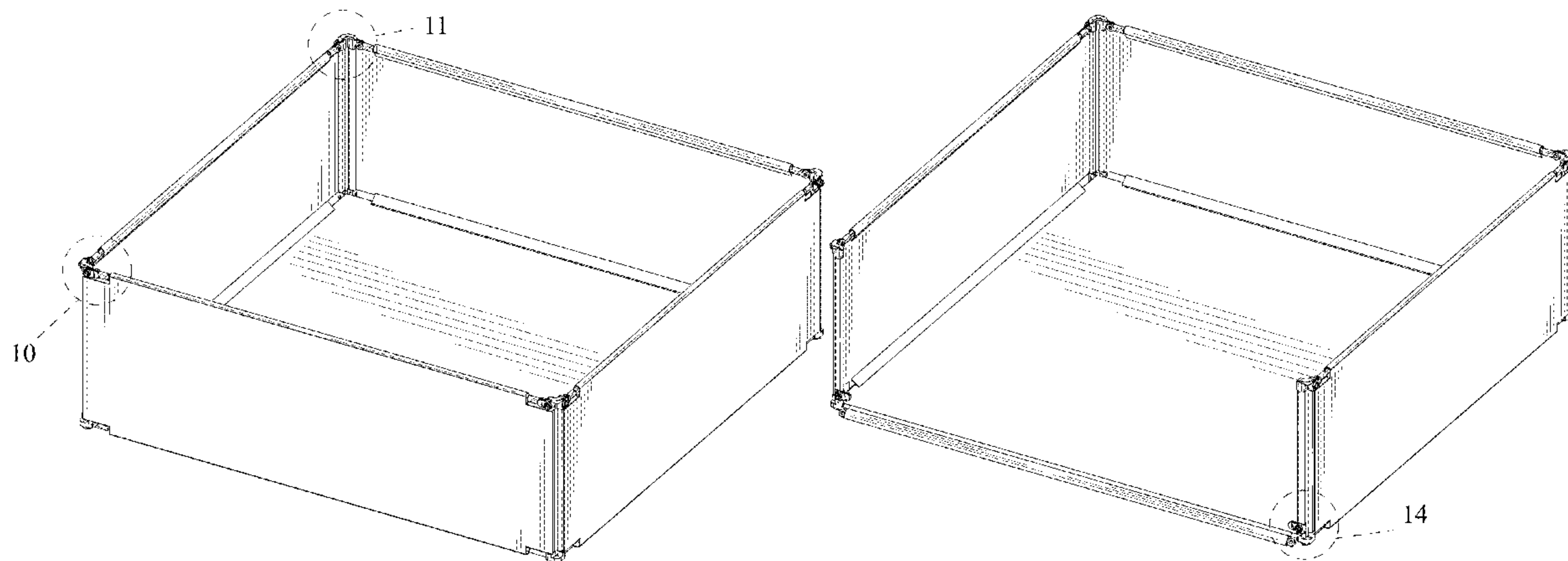
(57) **CLAIM**

The ornamental design for a playpen, as shown and described.

DESCRIPTION

FIG. 1 is a top perspective view of a playpen showing my new design;
 FIG. 2 is bottom perspective view thereof;
 FIG. 3 is a top perspective view thereof, shown in an alternate open configuration of use;
 FIG. 4 is a front view thereof, shown in its closed configuration of use;
 FIG. 5 is a rear view thereof;
 FIG. 6 is a left side view thereof;
 FIG. 7 is a right side view thereof;
 FIG. 8 is a top plan view thereof;
 FIG. 9 is a bottom plan view thereof;
 FIG. 10 is an enlarged detailed view of portion 10 shown in FIG. 1;
 FIG. 11 is an enlarged detailed view of portion 11 shown in FIG. 1;
 FIG. 12 is an enlarged detailed view of portion 12 shown in FIG. 2;
 FIG. 13 is an enlarged detailed view of portion 13 shown in FIG. 2;
 FIG. 14 is an enlarged detailed view of portion 14 shown in FIG. 3;
 FIG. 15 is an enlarged detailed view of portion 15 shown in FIG. 4;
 FIG. 16 is an enlarged detailed view of portion 16 shown in FIG. 5;
 FIG. 17 is an enlarged detailed view of portion 17 shown in FIG. 8; and,
 FIG. 18 is an enlarged detailed view of portion 18 shown in FIG. 9.

1 Claim, 14 Drawing Sheets



(56)

References Cited

U.S. PATENT DOCUMENTS

5,991,944 A * 11/1999 Yang A47D 13/06
403/231
6,675,413 B2 * 1/2004 Hsia A47D 13/06
5/98.1
6,721,971 B1 * 4/2004 Cheng A47D 13/063
5/98.1
D566,998 S * 4/2008 Troutman A47D 13/066
D6/331
D621,170 S 8/2010 Hartenstine et al.
D680,760 S 4/2013 Hsu
D880,172 S 4/2020 Wright et al.
2016/0302590 A1 * 10/2016 Giveans A47D 13/06

* cited by examiner

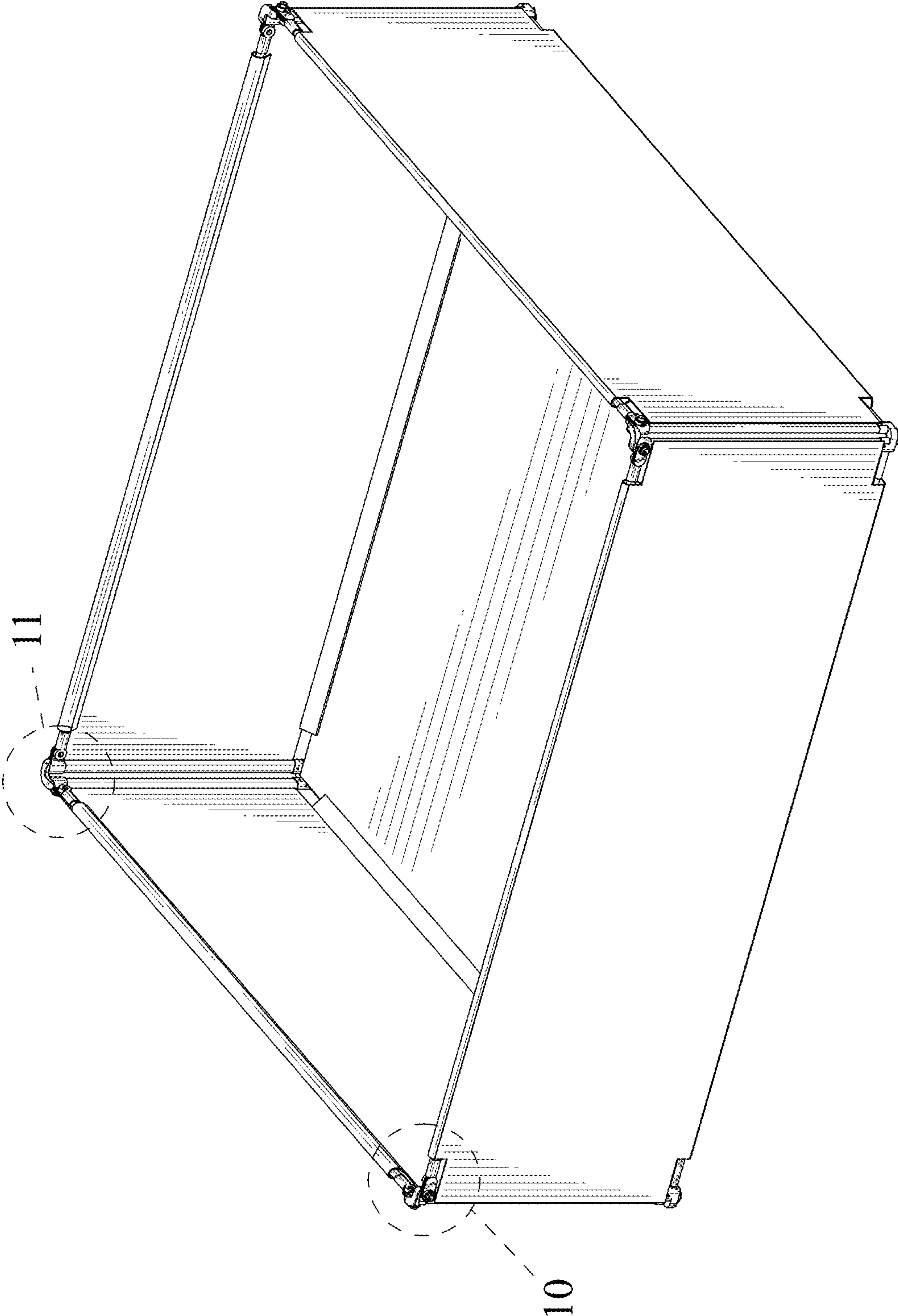


FIG. 1

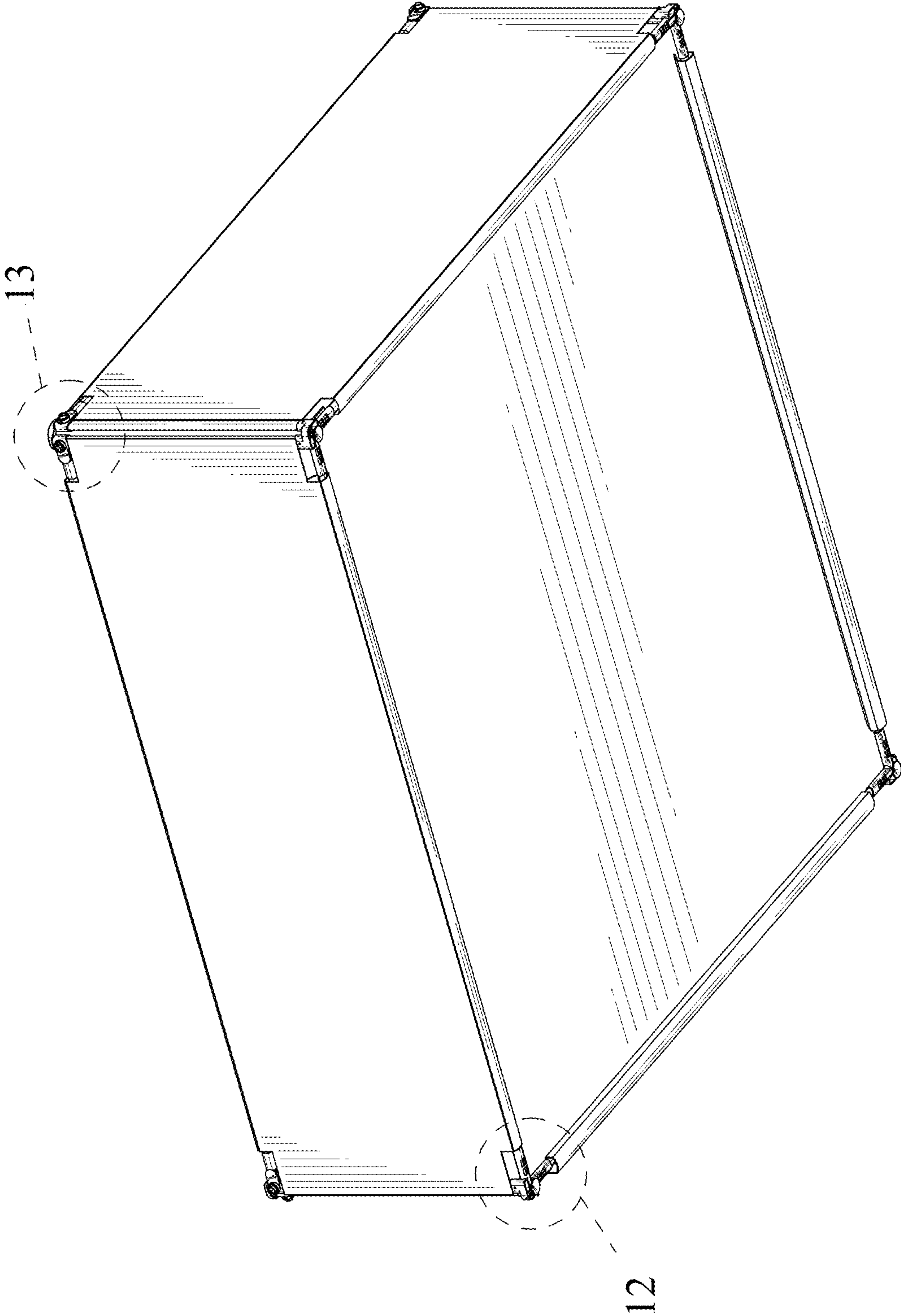


FIG. 2

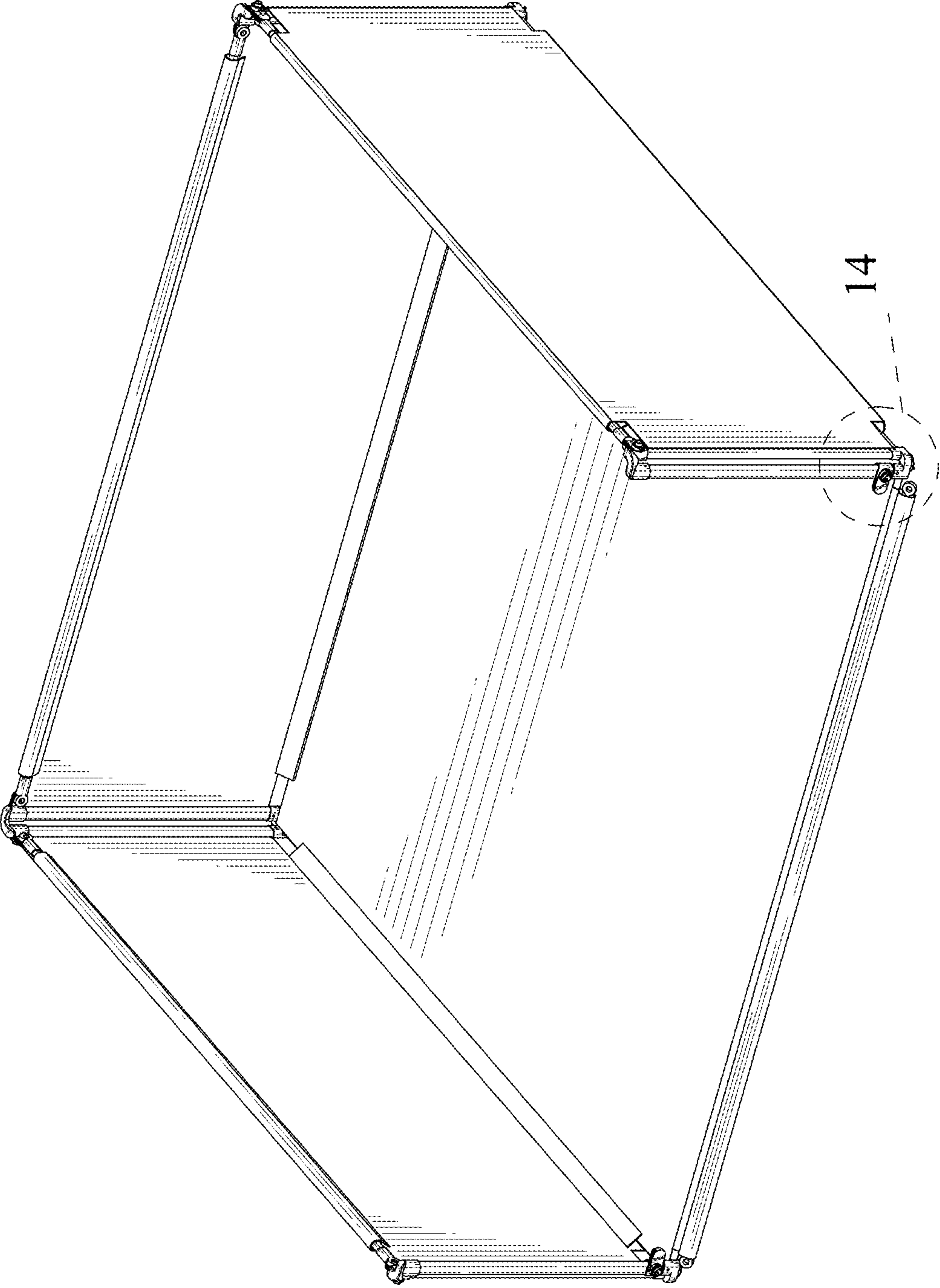


FIG. 3

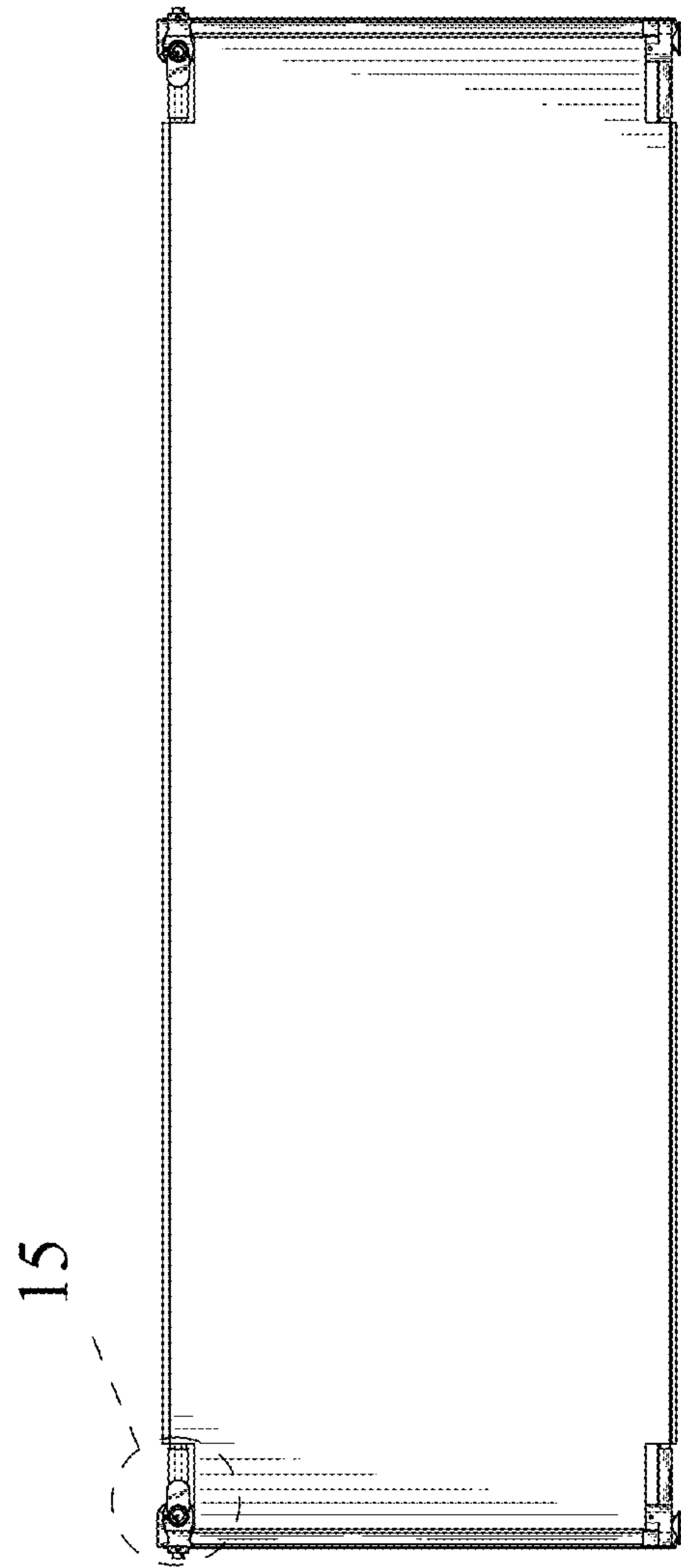


FIG. 4

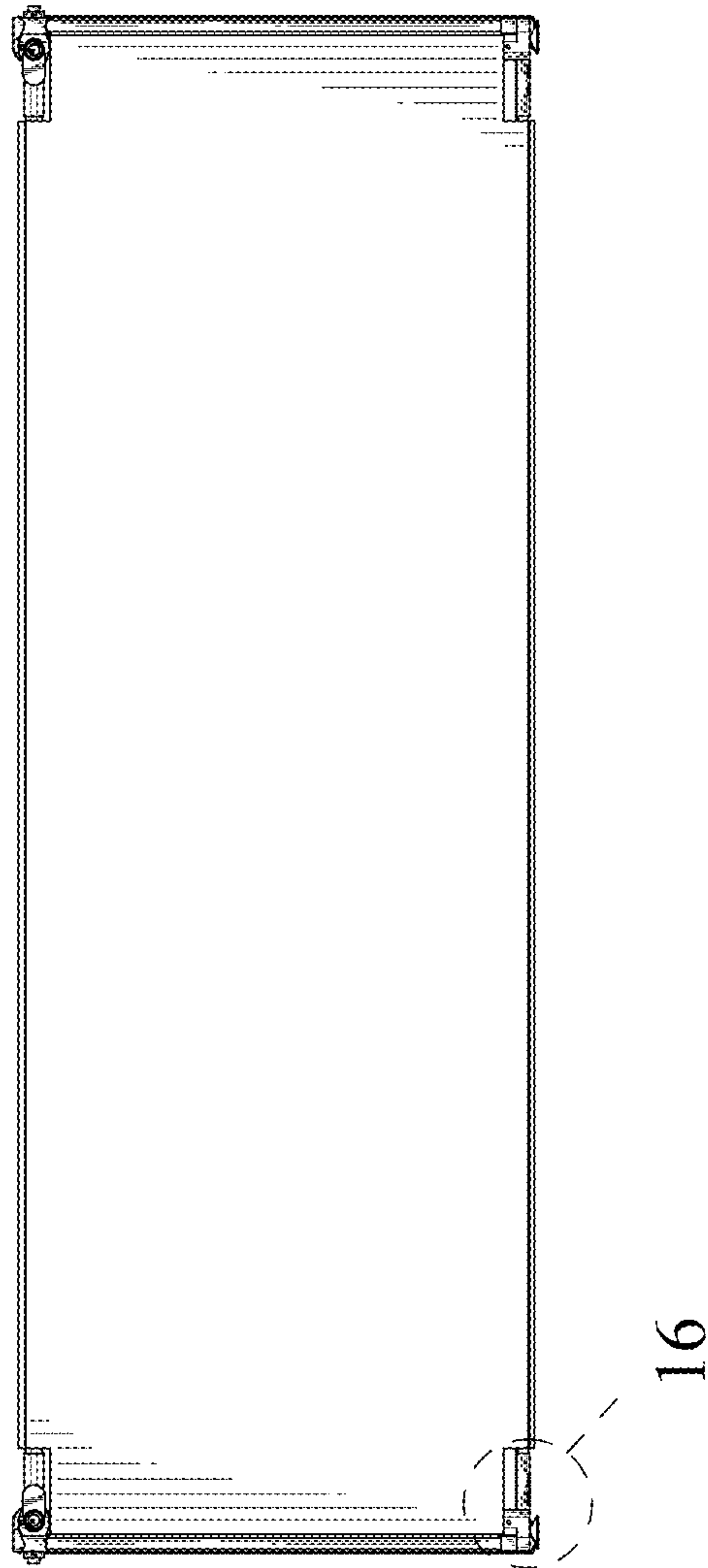


FIG. 5

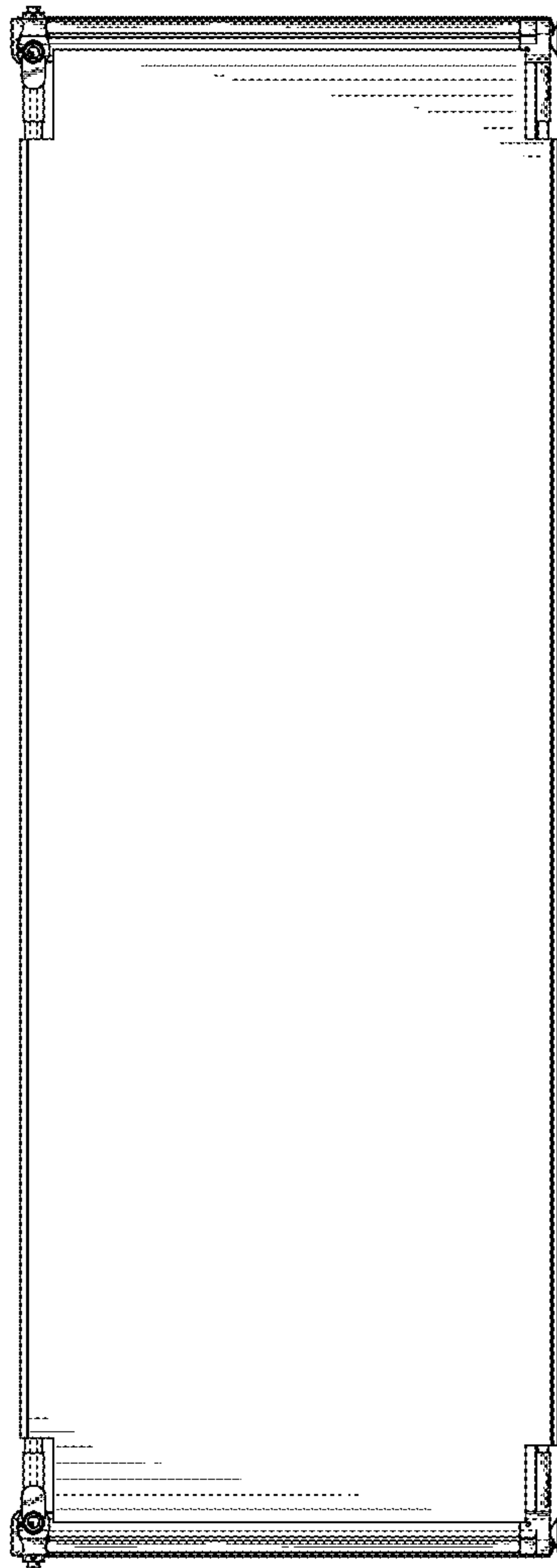


FIG. 6

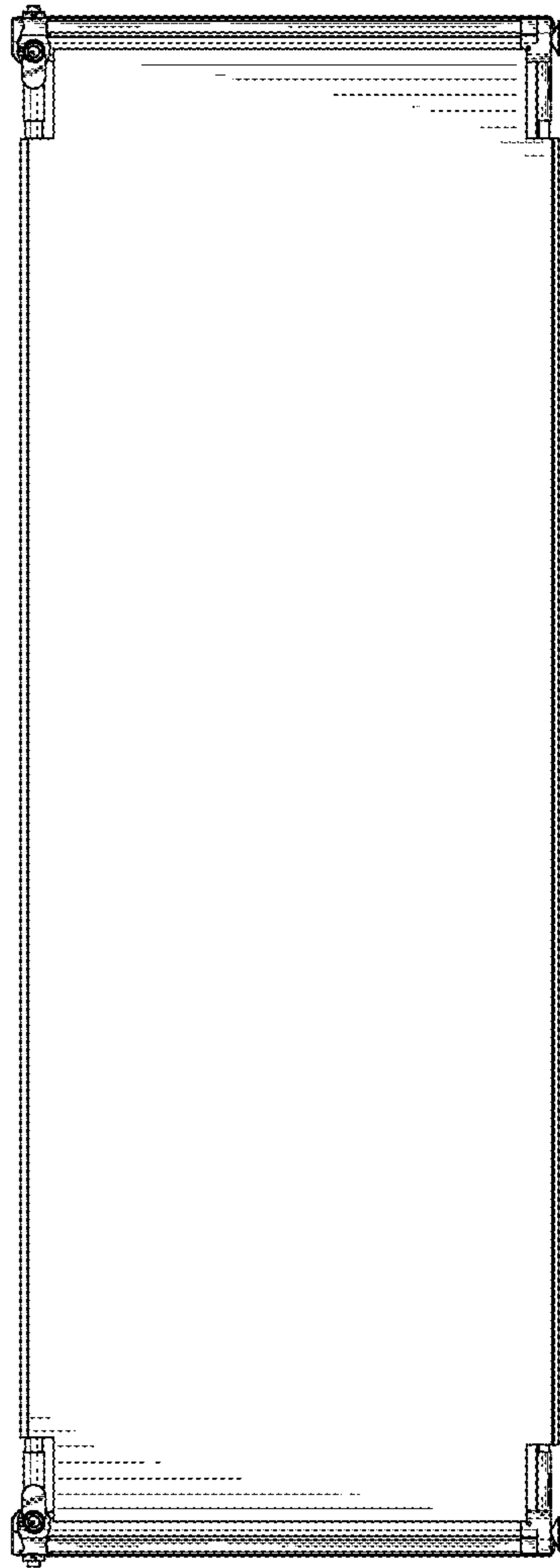


FIG. 7

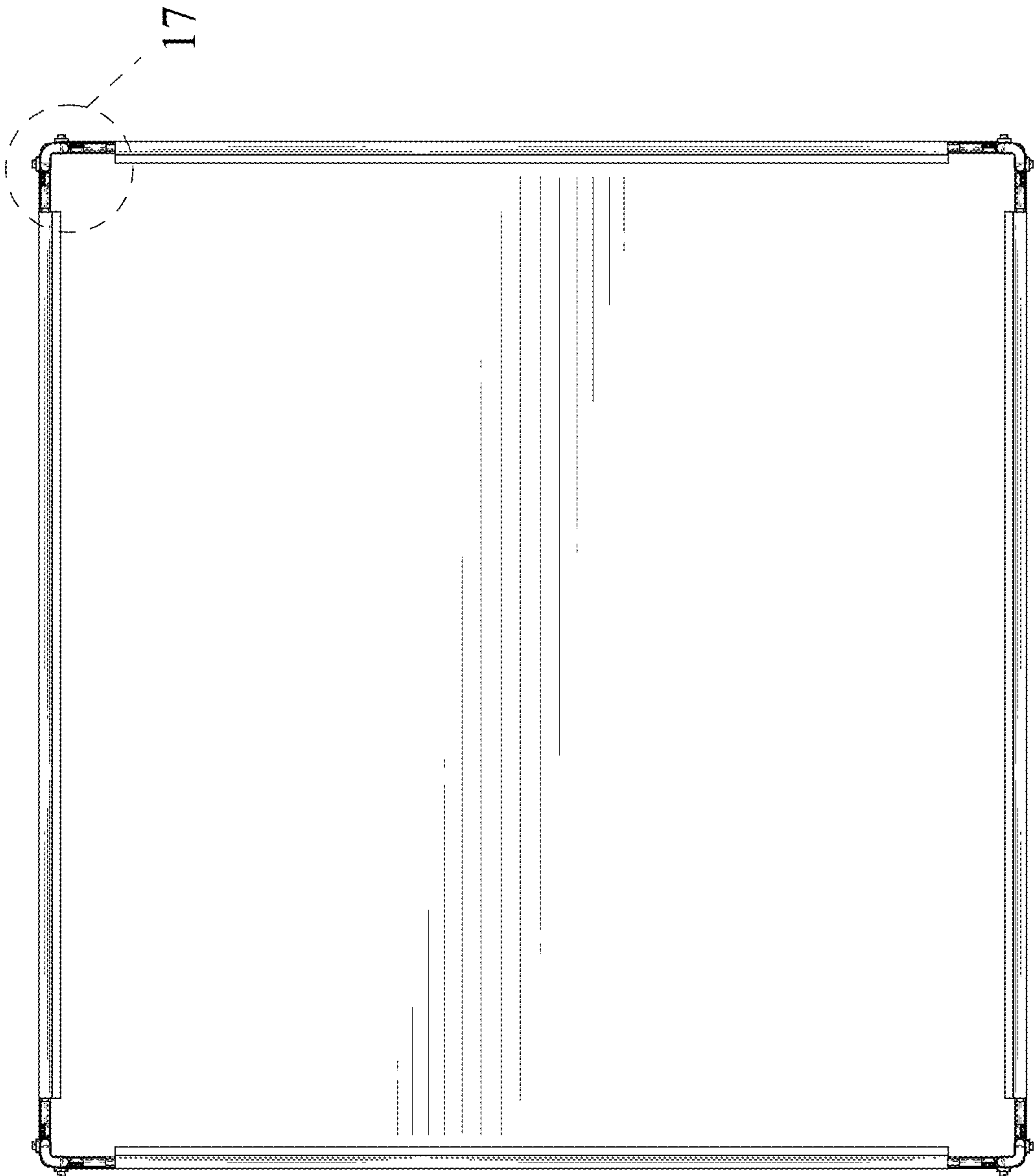


FIG. 8

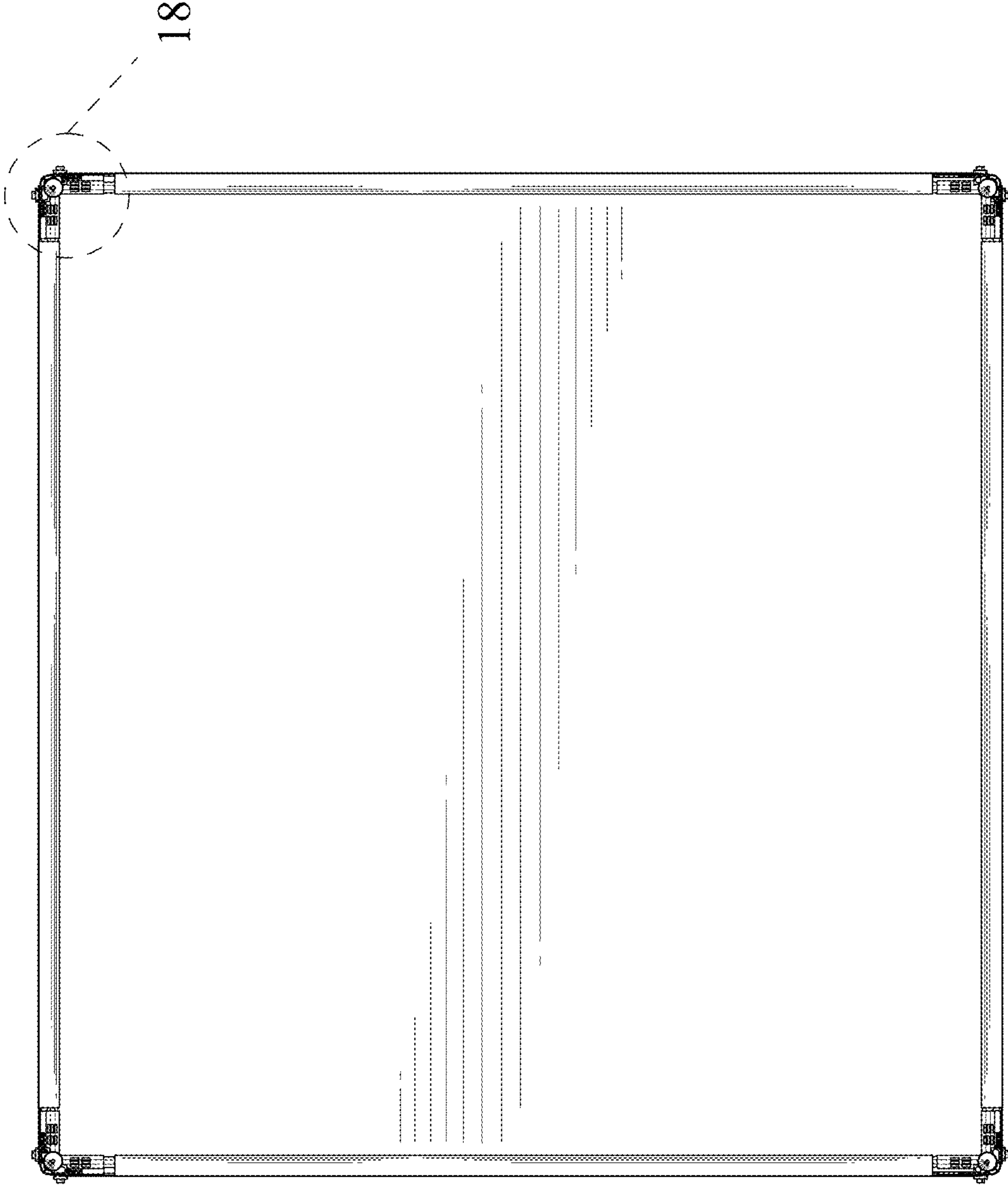


FIG. 9

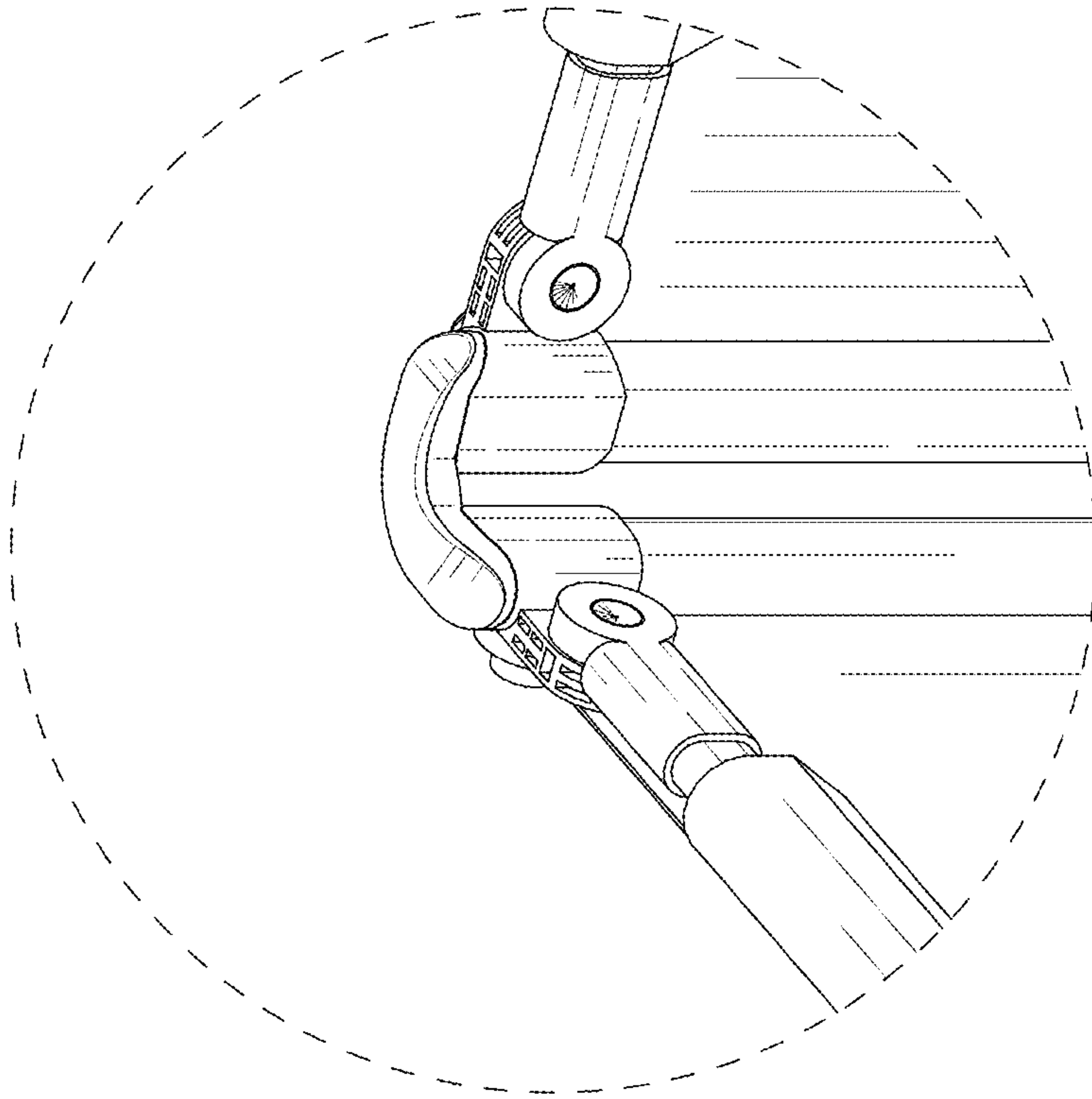


FIG. 11

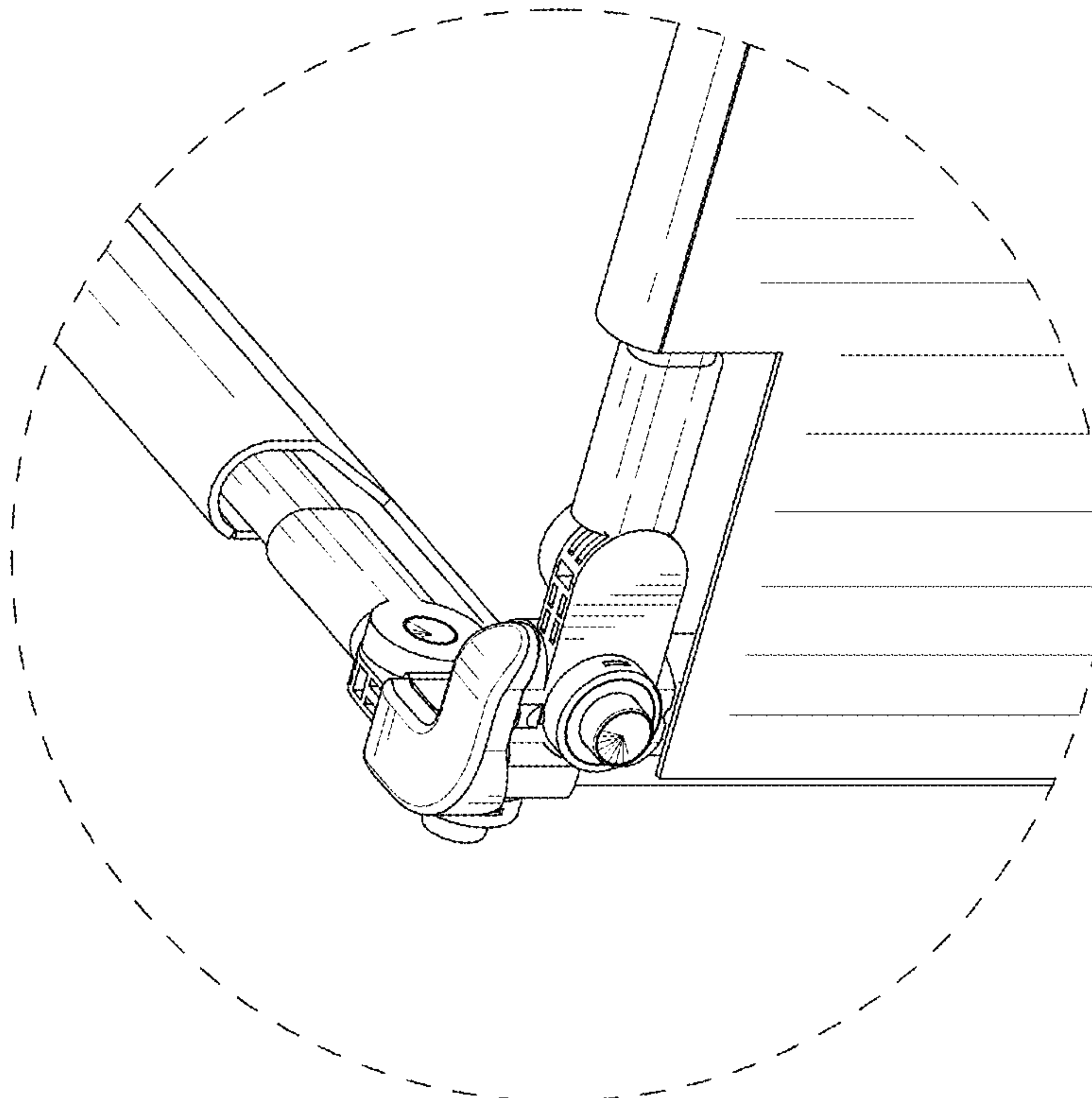


FIG. 10

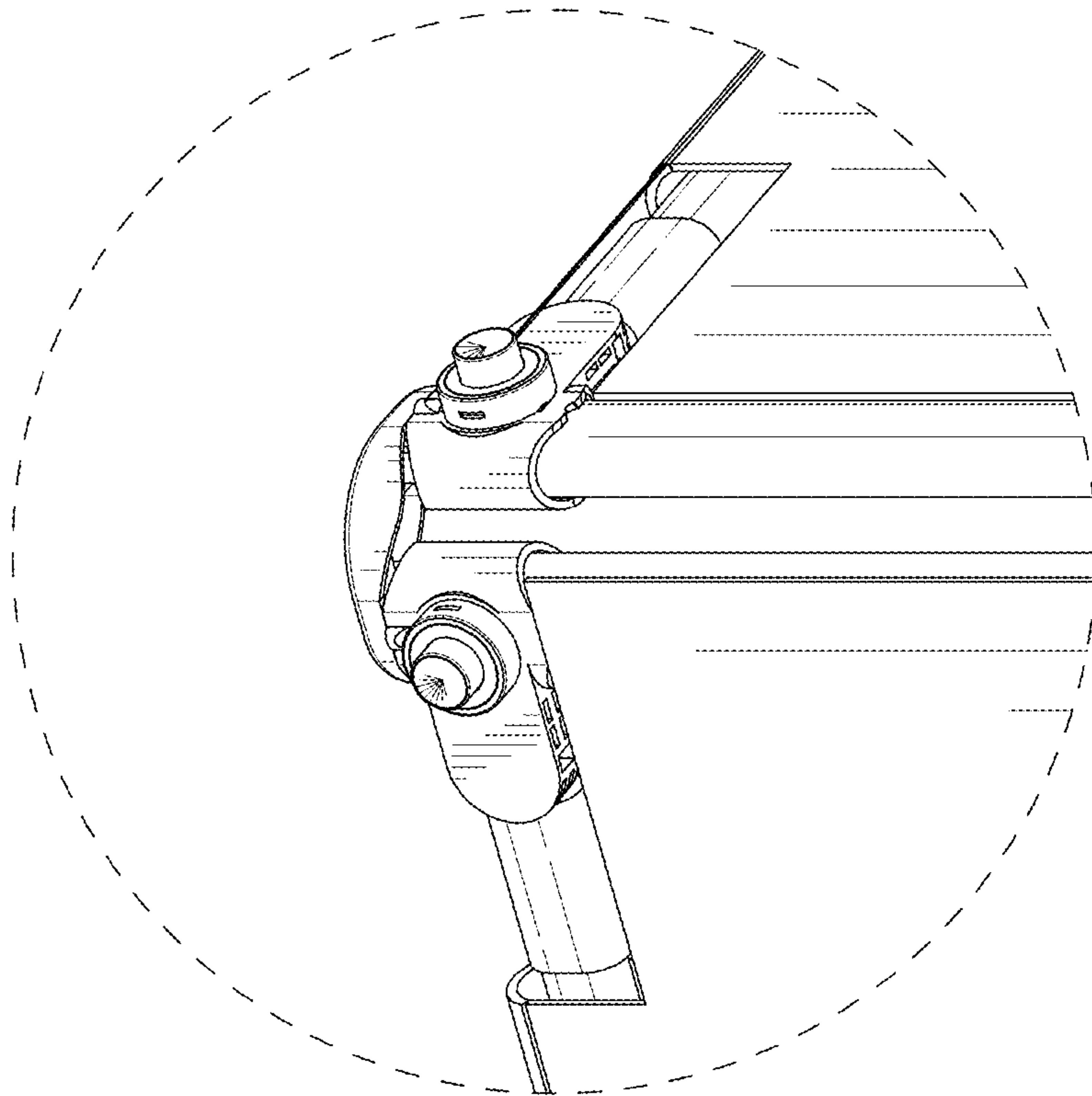


FIG. 12

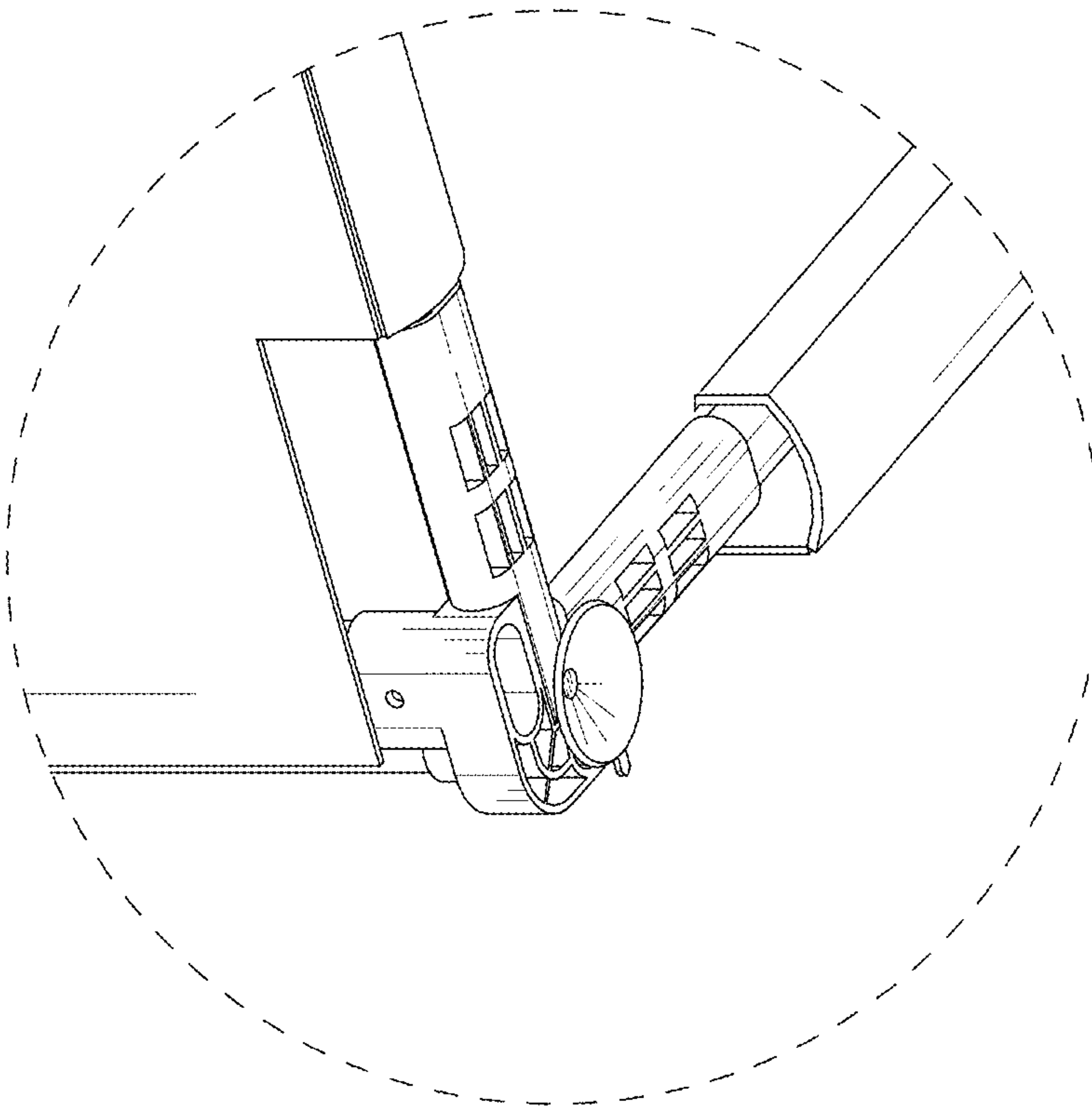


FIG. 13

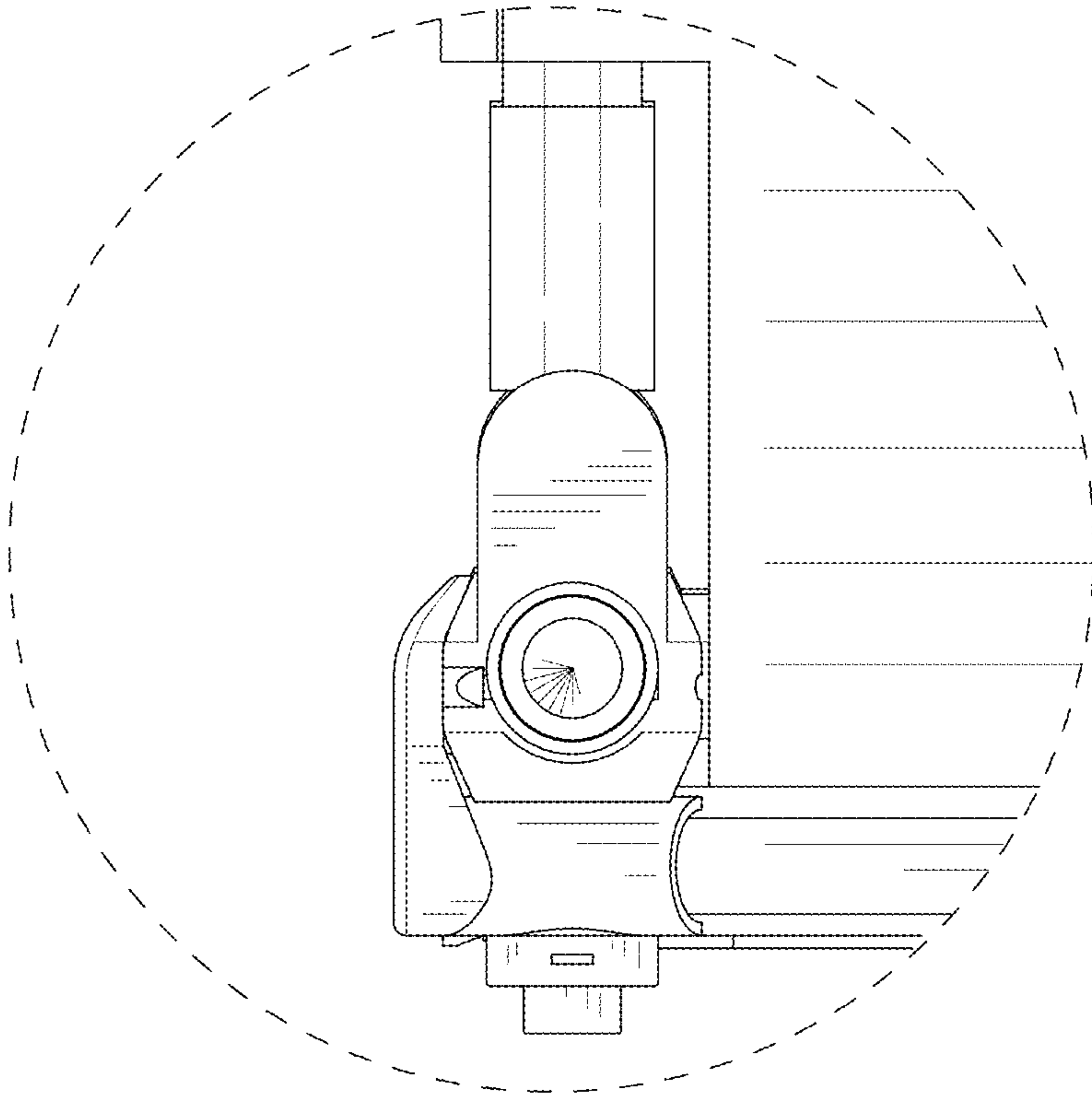


FIG. 15

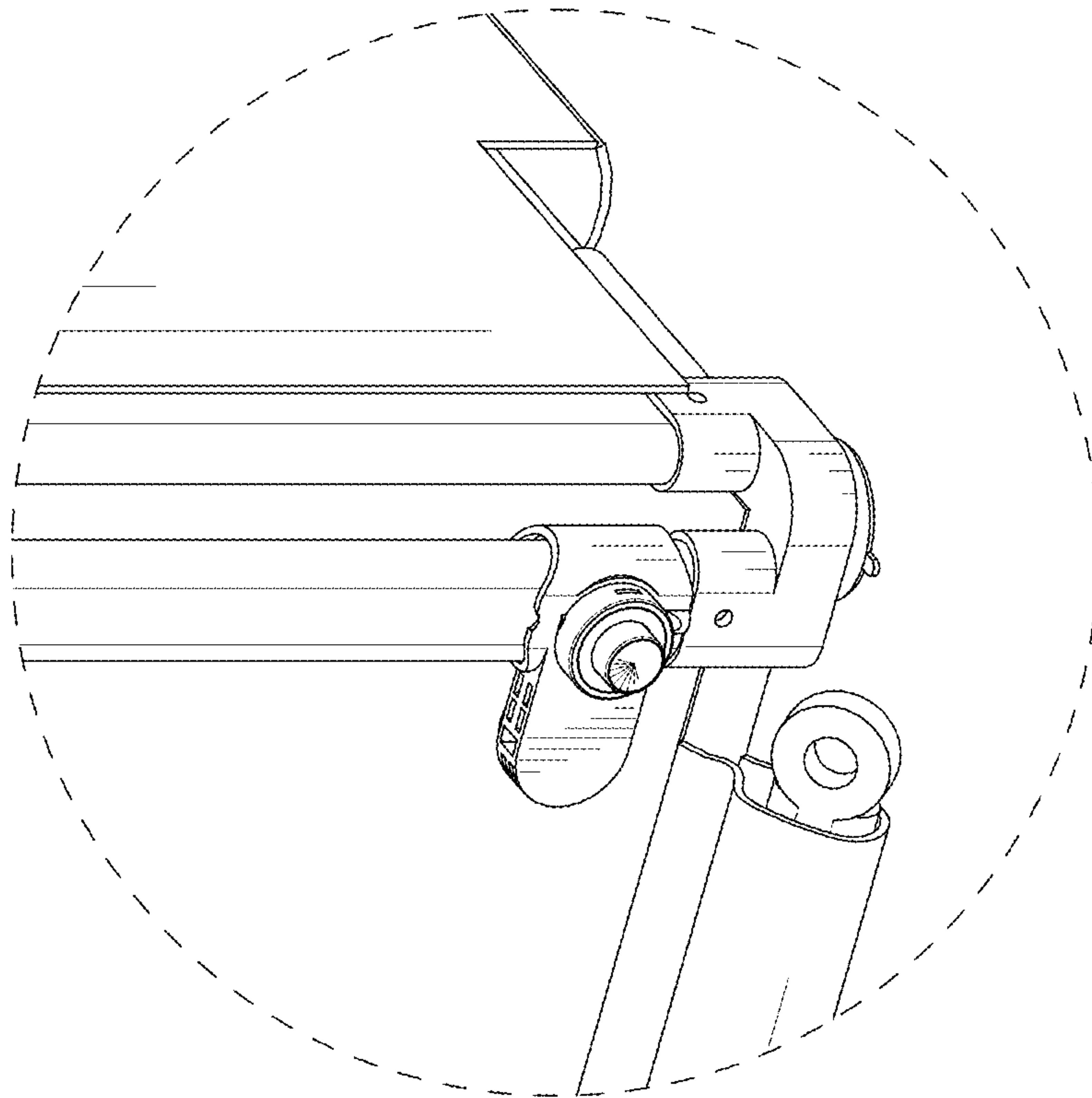


FIG. 14

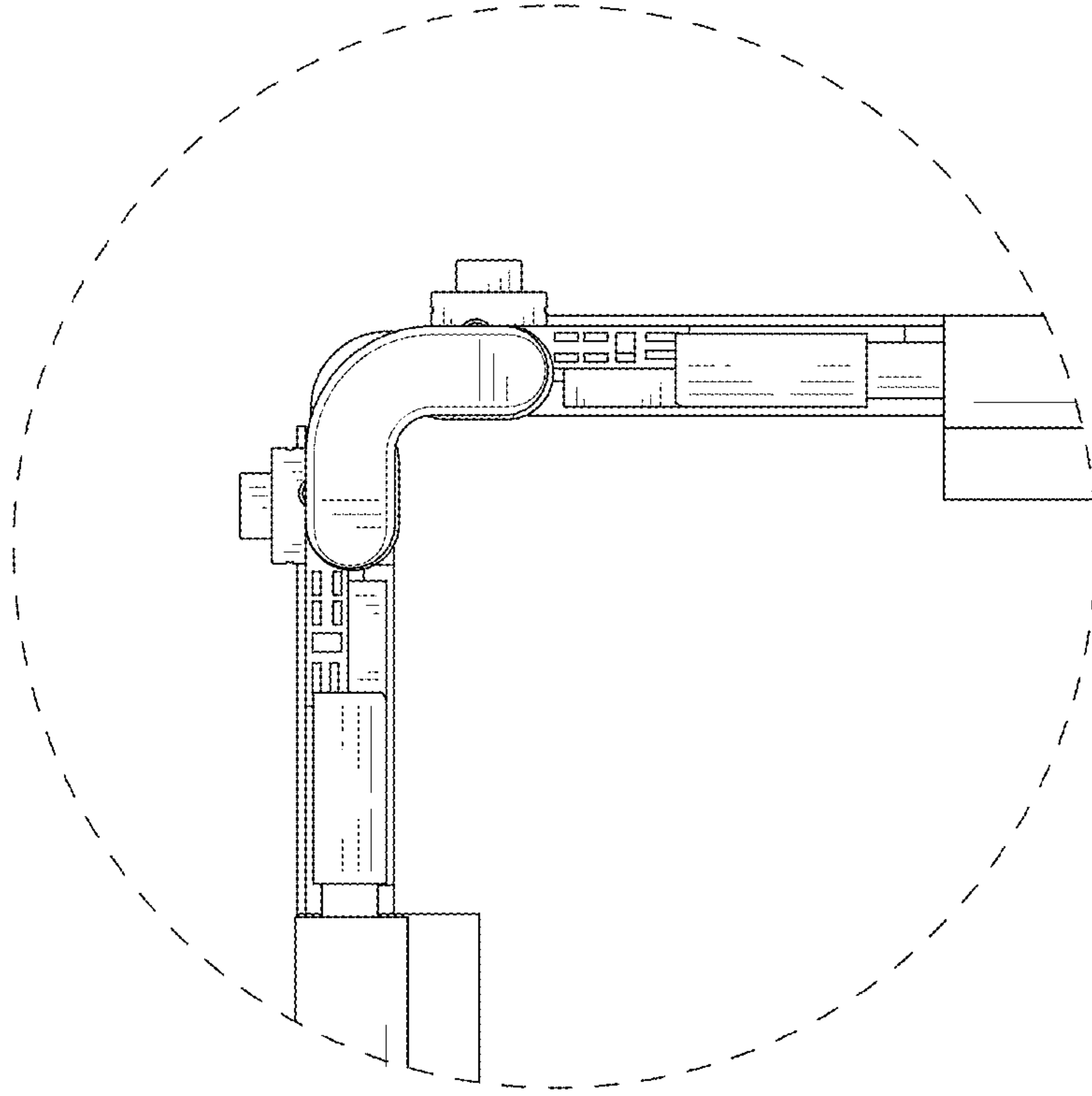


FIG. 17

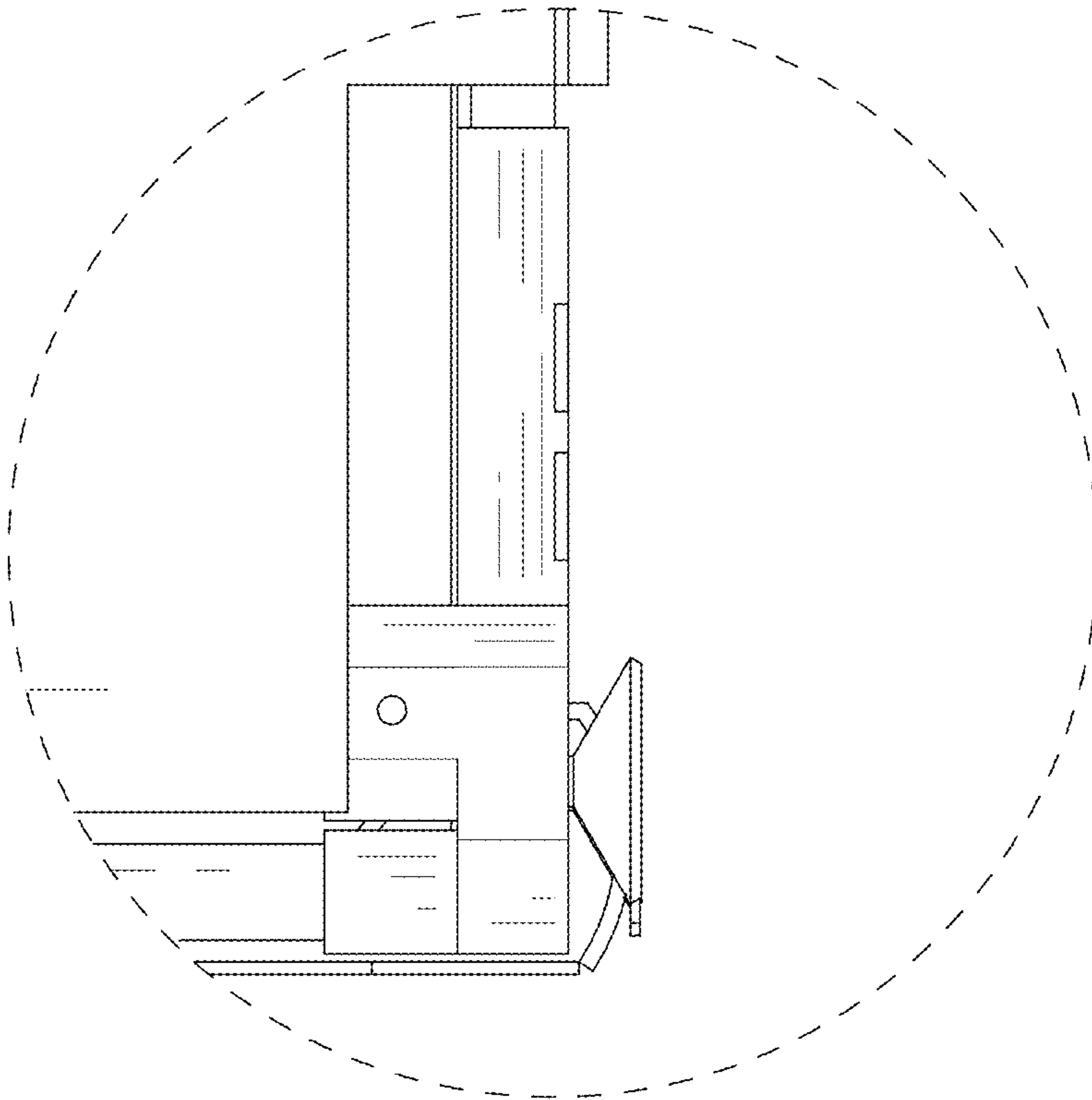


FIG. 16

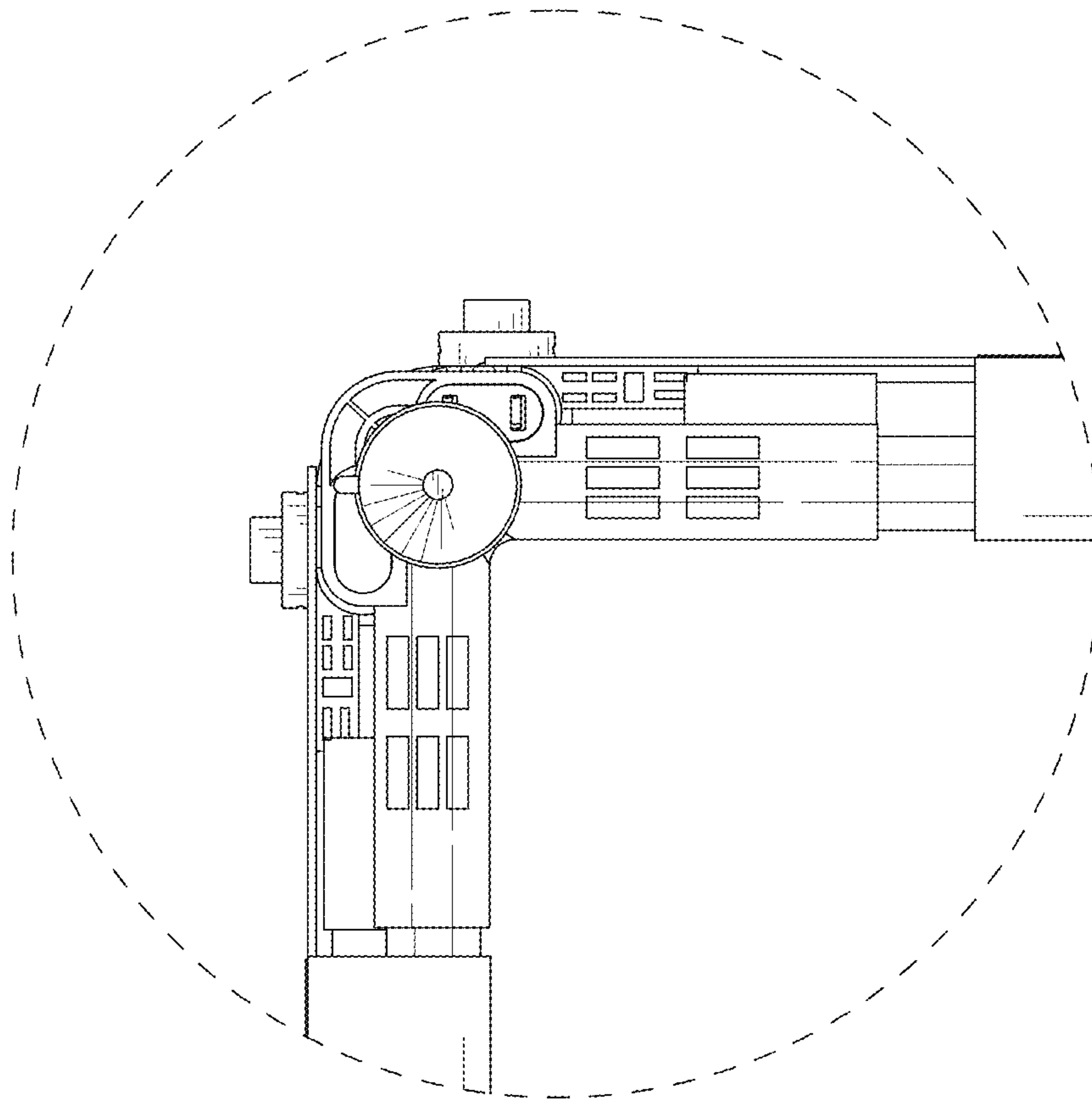


FIG. 18